

Dominion Light Kit

Part No. 96101643 Grounding Harness Kit

ASSEMBLY TOOLS NEEDED:

Sockets	7/16"-1-1/8"
Wrenches	7/16"-1-1/8"

INSTALLATION NOTES

- This Kit is intended to improve the grounding on the Dominion Snow Plow Light Kits by providing a positive ground path from the battery to each of the light bases.
- Be sure to read all instructions carefully before attempting installation.
- Before Beginning work make sure to set parking brake and chock wheels.

MOUNTING INSTRUCTIONS

1. Remove the light mounting bolt on each light and install 1/2" Dia. Ring Terminals between the Lockwasher and the mounting bracket.

NOTE: The Ring terminal with the two wires should be installed on the Right (passenger side) Light.

2. Run the 35" long wire through the Rose Bud Clip in the center of the Light Bar Assembly and connect to the Left light. (See Figure #1)
3. Route the 68" wire down the right side upright of the Light Bar Frame and then forward along the side angle of the A-Frame to the Hydraulic Pump.
4. Remove the Plastic Cover from the Hydraulic unit.
5. Locate the black ground wire that is attached to the motor case. Remove screw securing wire terminal to Motor Case.
6. Place the Small Ring Terminal on the 68" wire under the Pump Ground Wire and secure both of them with the Screw removed in step #5. (See Figure #2)
7. Replace the Hydraulic Pump Cover removed in step #4.

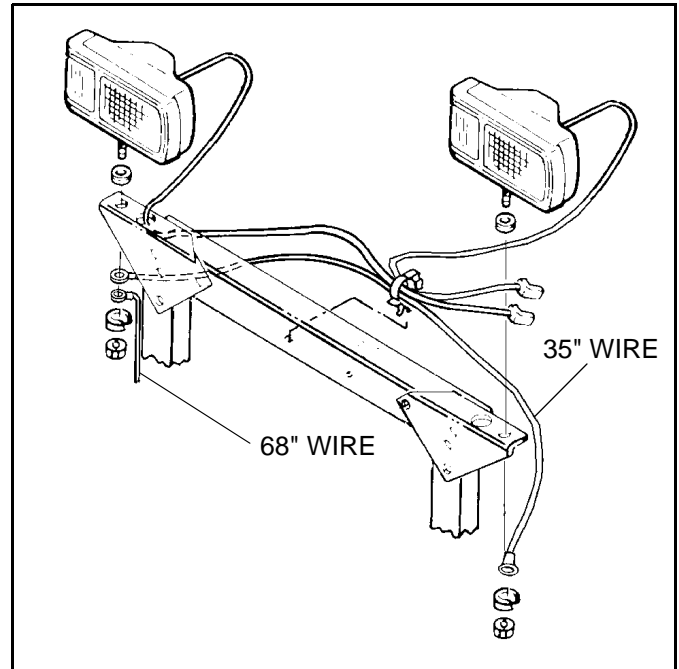


Figure #1

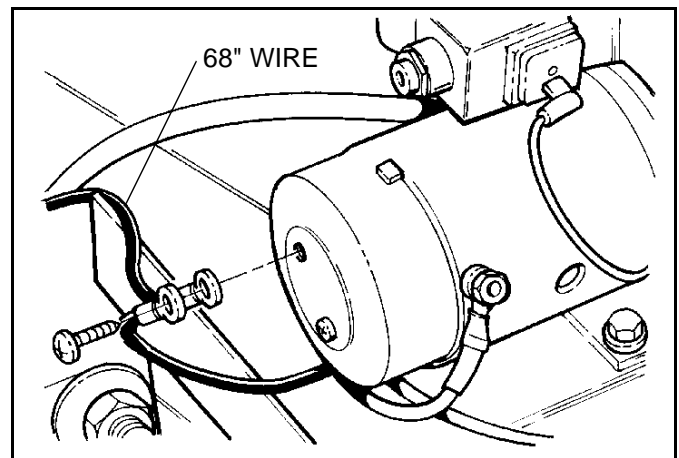


Figure #2



SNO-WAY[®] INTERNATIONAL, INC.

©1999 Sno-Way[®] International

97100124B