



Assembly & Installation Instructions

**FOR
SUBFRAME COMPONENTS PACKAGE 99100077
AND
SUBFRAME NOSE PIECE PACKAGE 96100694**

TO FIT

1972—93 DODGE 4X4 W100 - W150 PICKUP

1973—93 DODGE 4X4 W200 - W250 PICKUP

1973—93 DODGE 4X4 W300 - W350 PICKUP

1974—93 TRAILDUSTER - RAMCHARGER



- 1. THINK SAFETY, ALWAYS WEAR SAFETY GLASSES WHEN PERFORMING THE OPERATIONS PRESCRIBED IN THESE INSTRUCTIONS**
- 2. READ ALL INSTRUCTIONS CAREFULLY BEFORE ATTEMPTING INSTALLATION**
- 3. BEFORE BEGINNING WORK MAKE SURE TO SET PARKING BRAKE AND CHOCK WHEELS**

MINIMUM VEHICLE RECOMMENDATIONS

Heavy Duty Alternator
Heavy Duty Battery
Manufacturers Snow Plow Package.

ASSEMBLY TOOLS NEEDED

Sockets 7/16" – 1-1/8"
Wrenches 7/16" – 1-1/8"
Torque Wrench

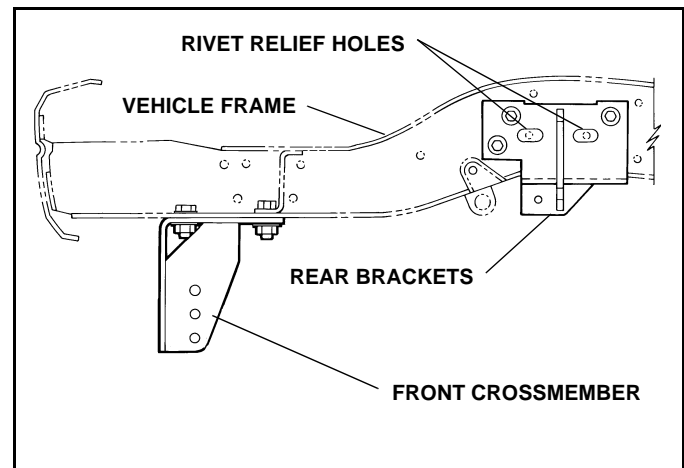
INSTALLATION NOTES

- Unless specified, mount all Sub-Frame components to vehicle before tightening any bolts.
- Vehicle should be parked on a level surface with the front suspension normally loaded.

MOUNTING INSTRUCTIONS

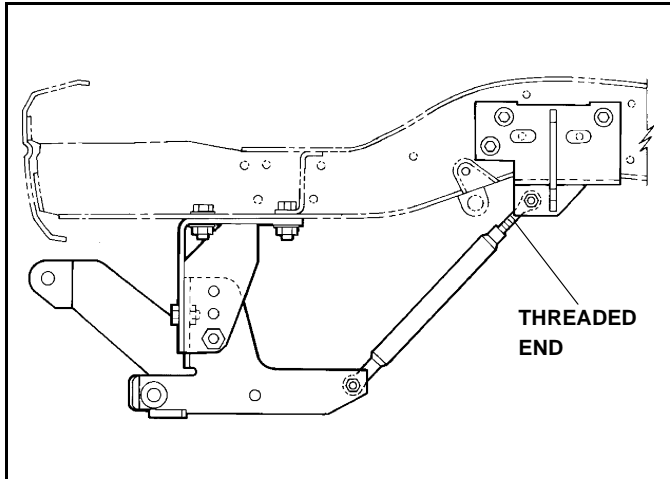
- Locate existing slotted holes in vehicle frame rails directly above front axle.
- Install Mounting Bracket (#96100562)RH, using three (3) 5/8" x 2" Capscrews (#98009041) Washers, and Nylock Nuts provided.
- For W100-W150 Pickup, Trailduster, & Ramcharger. Install Mounting Bracket (#96100565)LH using three (3) 5/8" x 2" Capscrews (#98009041) Washers, and Nylock Nuts provided. Tighten Capscrews to Torque Specification Chart.
For W250 and W350 Pickups. Install Mounting Bracket (#96101279)LH using three (3) 5/8" x 2" Capscrews (#98009041) Washers, and Nylock Nuts provided. Tighten Capscrews to Torque Specification Chart.

NOTE: Align rivet relief holes in Mounting Brackets with rivets in frame.



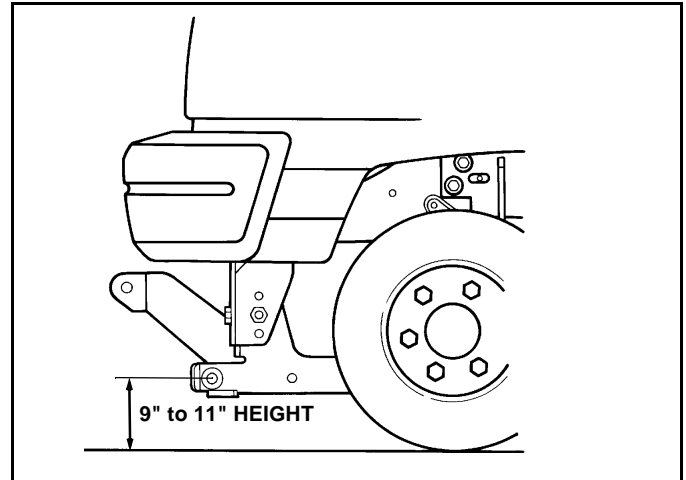
- Install Front Crossmember (#96100559) utilizing existing holes in lower lip of vehicle front crossmember. Secure using six (6) 1/2" x 1-1/2" Capscrews (#98009010), double Washers, and Nylock Nuts provided. Tighten Capscrews to Torque Specification Chart.
- Raise Sub-Frame Assembly (#96100294) to Front Crossmember and secure with four (4) 5/8" x 1-1/2"

Capscrews (#98009115) Washers, and Nylock Nuts provided. Level Sub-Frame Assembly and Front Crossmember then tighten Capscrews to Torque Specification Chart.



6. Install Adjustable Support Link between Mounting Brackets and rear mounting ears on Sub-Frame Assembly as shown. Secure to Sub-Frame and Mounting Brackets using four (4) 5/8" x 2-1/2" Capscrews (#98009259) and Nylock Nuts provided.

7. Using the Torque Specification Chart below, torque remaining Capscrews starting at the rear and working forward.

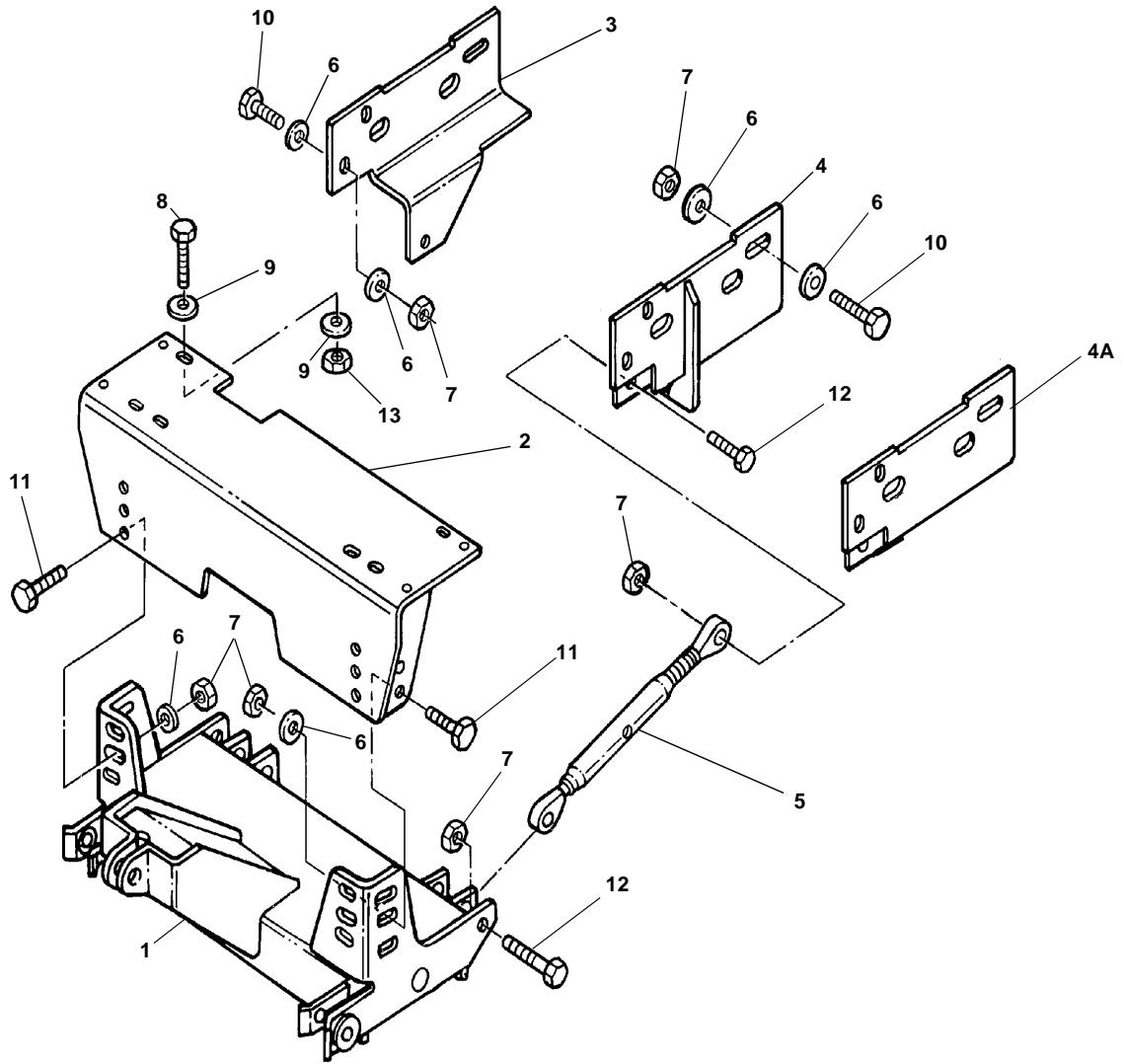


IMPORTANT: Height from the center of the lower Plow Mounting holes on the Sub-Frame to the ground should be between 9" and 11" to insure proper operation.

REMEMBER After 5 to 10 hours of snowplow usage, re-torque all capscrews!

TORQUE SPECIFICATIONS FOR STANDARD MACHINE HARDWARE					
Bolt Size	GR.2 Dry	GR.5 Dry	GR.8 Dry	Metric Size	GR.8.8 Dry
1/4"	66*	9	12	M8	17
5/16"	11	17	25	M10	35
3/8"	20	30	45	M12	60
7/16"	32	50	70	M14	95
1/2"	50	75	110	M16	155
9/16"	70	110	150		
5/8"	100	150	220		
3/4"	175	260	380		
7/8"	170	430	600		
1"	250	640	900		

Note: These torque values are to be used for all hardware. Unless otherwise specified, all torque values must meet this specification.
 Note: All torque values are in Ft.-Lbs unless otherwise stated
 Note: *In-Lbs



ITEM	PART NO.	DESCRIPTION	QTY.
1	96100694	Sub-Frame, Nose Piece (96100294).....	1
2	96100559	Crossmember, Front	1
3	96100562	Bracket, Mounting, RH	1
4	96100565	Bracket, Mounting, LH (W100 - W150)	1
4A	96101279	Bracket, Mounting, LH (W200 - W350)	1
5	96001831	Link, Adjustment	2
6	98009039	Washer, Flat, 5/8"	16
7	98009038	Nut, Hex, Nylock, 5/8"-11NC	14
8	98009010	Capscrew, Hex Head, 1/2"-13NC x 1-1/2"	6
9	98009011	Washer, Flat, 1/2"	12
10	98009041	Capscrew, Hex Head, 5/8"-11NC x 2"	6
11	98009115	Capscrew, Hex Head, 5/8"-11NC x 1-1/2"	4
12	98009259	Capscrew, Hex Head, 5/8"-11NC x 2-1/2"	4
13	98009013	Nut, Hex, Nylock, 1/2"-13NC	6



SNO-WAY INTERNATIONAL, INC.