



1. THINK SAFETY, ALWAYS WEAR SAFETY GLASSES WHEN PERFORMING THE OPERATIONS PRESCRIBED IN THESE INSTRUCTIONS

2. READ ALL INSTRUCTIONS CAREFULLY BEFORE ATTEMPTING INSTALLATION

ASSEMBLY TOOLS NEEDED:

- Impact Sockets 7/16" – 1-3/8"
- Wrenches 7/16" – 1-3/8"
- Torque Wrench
- Drill Bits 1/4", 17/32"
- Center Punch and Hammer
- Two 6" C-Clamps

TORQUE SPECIFICATIONS FOR STANDARD MACHINE HARDWARE					
Bolt Size	GR.2 Dry	GR.5 Dry	GR.8 Dry	Metric Size	GR.8.8 Dry
1/4"	66*	9	12	M8	17
5/16"	11	17	25	M10	35
3/8"	20	30	45	M12	60
7/16"	32	50	70	M14	95
1/2"	50	75	110	M16	155
9/16"	70	110	150		
5/8"	100	150	220		
3/4"	175	260	380		
7/8"	170	430	600		
1"	250	640	900		

NOTE: These torque values are to be used for all hardware. Unless otherwise specified, all torque values must meet this specification.
NOTE: All torque values are in Ft-Lbs unless otherwise stated
*In-Lbs

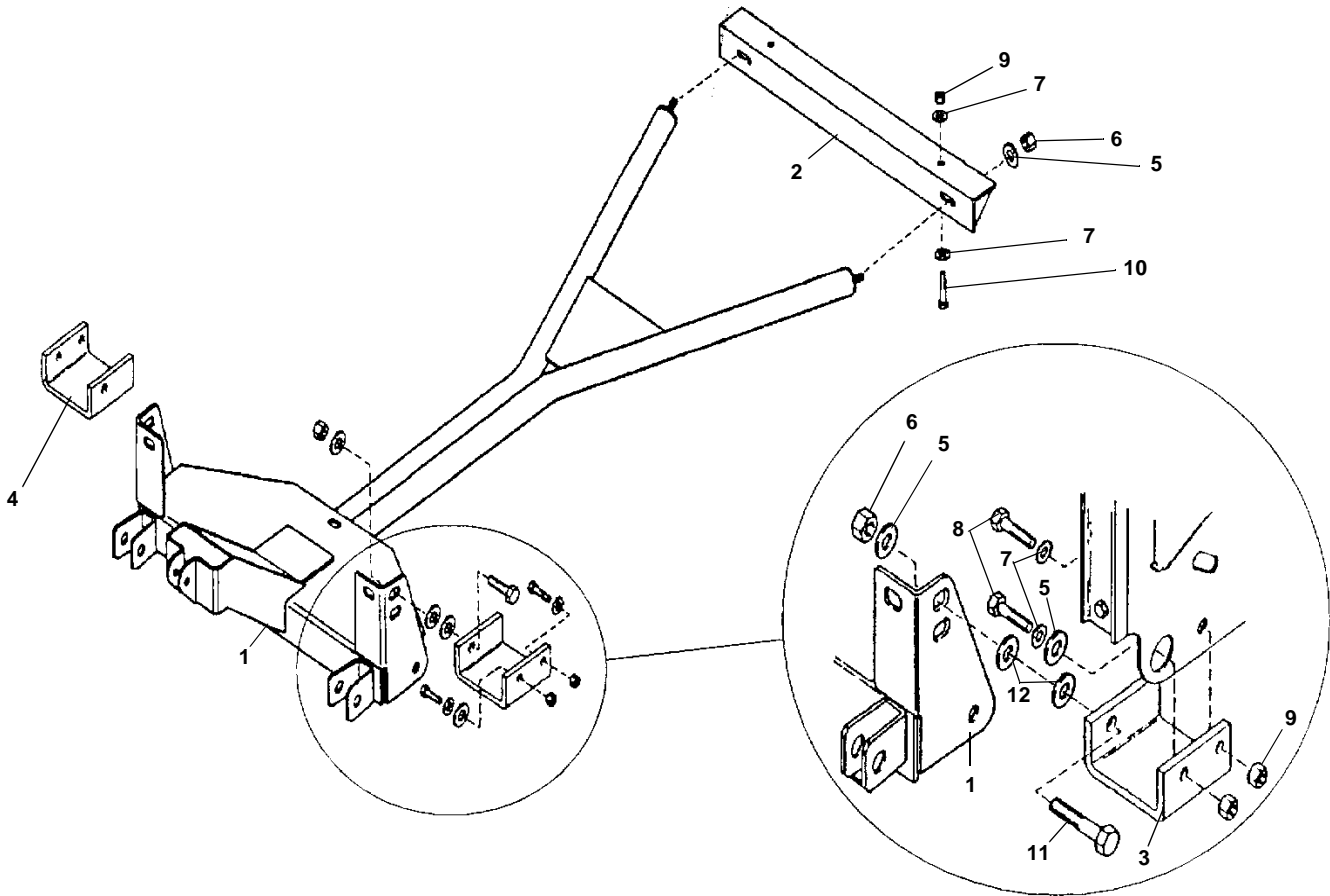
INSTALLATION NOTES:

1. Mount Sub-Frame Assembly completely before tightening any bolts unless otherwise specified.
2. To Install Sub-Frame the vehicle's front suspension must be in a normal position such as when the vehicle is parked on level ground.

MOUNTING INSTRUCTIONS:

1. Locate existing holes on left and right sides of vehicle transfer case crossmember. Using existing hole as a template, drill 1/2" holes through second wall of crossmember.
2. Using holes just drilled install Rear Crossmember (#96001196) and secure using four (4) 1/2" x 3-1/2" Capscrews (#98009036), Washers and Nylock Nuts provided.
3. Install Front Brackets (#96001457)RH, (#96001458)LH, on existing vehicle tie down brackets using four (4) 1/2" x 1-1/2" Capscrews (#98009010), over size Washer (#98009039), and Nylock Nuts provided. See illustration for details.
4. Raise Sub-Frame Assembly (#96101251) to Rear Crossmember and insert support pipe studs into mounting holes in Rear Crossmember. Secure with Washers and 5/8" Nylock Nuts provided.
5. Align top holes in Sub-Frame Assembly to holes in Front Brackets and secure with two (2) 5/8" x 2" Capscrews (#98009041) Washers, and Nylock Nuts provided.
6. Using the Torque Specification Chart above, torque all bolts starting at the rear and working forward.

1987 & LATER DODGE 4X4 POWER RAM 50
1987 & LATER MITSUBISHI 4X4 PICKUP
Sub-Frame Assembly & Installation Instructions
Part No. 99004026 Sub-Frame (Complete) Includes Hardware



ITEM	PART NO.	DESCRIPTION	QTY.
1	96101251	Sub-Frame Assembly	1
2	96001196	Crossmember, Rear	1
3	96001458	Bracket, Front, LH.....	1
4	96001457	Bracket, Front, RH	2
5	98009039	Washer, Flat, 5/8"	6
6	98009038	Nut, Hex, Nylock, 5/8"-11 NC	4
7	98009011	Washer, Flat, 1/2"	8
8	98009010	Capscrew, Hex Head, 1/2" -13 NC x 1-1/2"	4
9	98009013	Nut, Hex, Nylock, 1/2"-13 NC	6
10	98009036	Capscrew, Hex Head, 1/2" -13 NC x 3-1/2"	2
11	98009041	Capscrew, Hex Head, 5/8" -11 NC x 2".....	2
12	98009028	Washer, Spacer	4



SNO-WAY INTERNATIONAL, INC.

97100231A