



**1. THINK SAFETY, ALWAYS WEAR SAFETY GLASSES WHEN PERFORMING THE OPERATIONS PRESCRIBED IN THESE INSTRUCTIONS**

**2. READ ALL INSTRUCTIONS CAREFULLY BEFORE ATTEMPTING INSTALLATION**

**ASSEMBLY TOOLS NEEDED:**

Sockets 7/16"—1-3/8"  
Wrenches 7/16"—1-3/8"  
Torque Wrench  
Drills 13/32"

TORQUE SPECIFICATIONS FOR STANDARD MACHINE HARDWARE					
Bolt Size	GR.2 Dry	GR.5 Dry	GR.8 Dry	Metric Size	GR.8.8 Dry
1/4"	66*	9	12	M8	17
5/16"	11	17	25	M10	35
3/8"	20	30	45	M12	60
7/16"	32	50	70	M14	95
1/2"	50	75	110	M16	155
9/16"	70	110	150		
5/8"	100	150	220		
3/4"	175	260	380		
7/8"	170	430	600		
1"	250	640	900		

These torque values are to be used for all hardware. Unless otherwise specified, all torque values must meet this specification.  
All torque values are in Lbs.ft unless otherwise stated  
\*In-Lbs

**INSTALLATION NOTES:**

1. Park vehicle on a flat level surface and apply emergency brake
2. Plow should be blocked up a minimum of six inches to provide clearance between unit and ground.

**IMPORTANT: Do not work on unit while suspended by the Hydraulic system.**

3. Turn off ignition.



**WARNING**

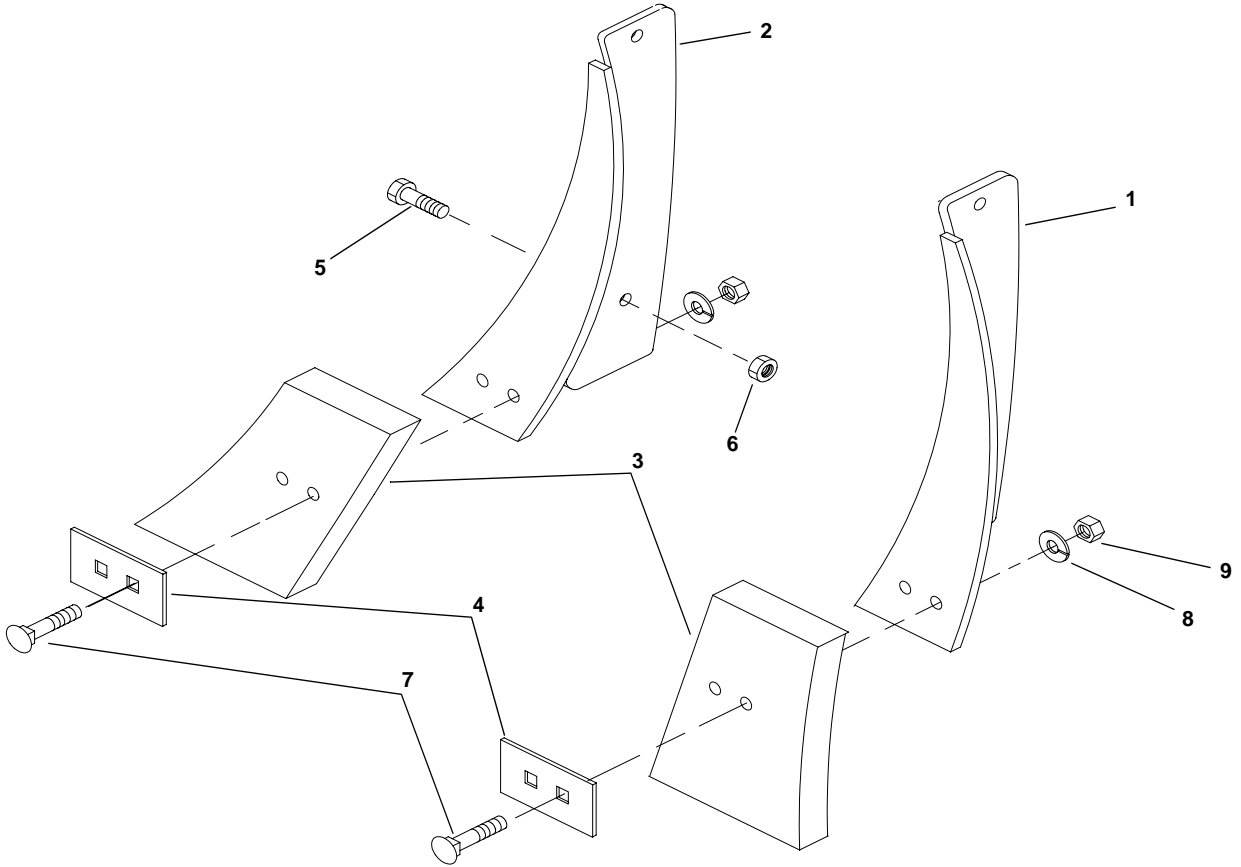
**Keep hands and feet clear of blade and A-Frame when setting blocking and lowering blade. Moving or falling assemblies could result in serious injury or death.**

**Never work on unit while suspended by the Hydraulic Unit.**

4. Enlarge the two lower holes in each end rib of the Snowplow Blade Assembly by drilling out to 13/32" diameter.
5. Install the Rubber Wearstrip (#3) and Backing Plate (#4) to each of the Curb Guards (#1) LH, and (#2) RH with (2) 3/8" x 2-1/4" Carriage Bolts (#7) and secure with Washers (#8) and Nuts (#9) provided.  
Torque Nuts to 30 Lbs.ft
6. Fasten the Left Curb Guard to the left end of the Snowplow Blade Assembly with (2) 3/8" x 1-1/4" Cap Screws (#5) and Nylock Nuts (#6).
7. Fasten the Right Curb Guard to the right end of the Snowplow Blade Assembly with (2) 3/8" x 1-1/4" Cap Screws (#5) and Nylock Nuts (#6).

**INSTALLATION AND PARTS MANUAL**  
**Curb Guard And Cleaner Package 99100175**  
**For Plow Serial Numbers After**  
**24D100000 – 25D100000**  
**24G100000 – 25G100000**

---



ITEM	PART NO.	DESCRIPTION	QTY.
1	96101294	Curb Guard, LH .....	1
2	96101293	Curb Guard, RH.....	1
3	96101450	Wearstrip .....	2
4	96101357	Backing Plate.....	2
5	98009034	Cap Screw, Hex Head, 3/8" - 16 NC x 1-1/4" .....	4
6	98009009	Nut, Hex, Nylock, 3/8" - 16 NC .....	4
7	98009044	Bolt, Carriage, 3/8" - 16 NC x 2-1/4" .....	4
8	98009008	Washer, Lock, 3/8" .....	4
9	98009077	Nut, Hex, 3/8" - 16 NC .....	4

**SNO-WAY® INTERNATIONAL, INC.**



©1999 Sno-Way® International