



# **SERVICE PARTS MANUAL**

## **10 CUBIC FOOT SPREADER**

**FOR SERIAL NUMBERS AFTER  
10S100000**



# TABLE OF CONTENTS

	PAGE
HOPPER FRAME .....	2
VEHICLE FRAME - FIXED .....	4
VEHICLE FRAME - PIVOTING.....	5
DRIVE (SN:10S100000 - 10S101799) .....	6
DRIVE (SN:10S101800 - LATER).....	7
ELECTRICAL.....	8
NUMERICAL INDEX.....	9

## INTRODUCTION

Our dealership network stands by to provide you with any assistance you may require, including genuine Sno-Way service parts. All parts should be obtained from or ordered through your dealer. Give complete information about the part as well as the Model Number and Serial Number of your machine.

Record the Serial Number in the space provided in your Owner's Manual for quick reference. The Serial Number for the unit is on a plate located on the left vertical support tube of the Hopper Frame.

"Right" and "Left" are determined from a position sitting on the Operators Seat of the vehicle.

We reserve the right to make changes or improvements in the design or construction of any part without incurring the obligation to install such changes in any unit previously delivered.

## USING THIS PARTS LIST

Below is parts listing with four columns. The first column is the "ITEM", the second is the "PART NUMBER", The third is the "DESCRIPTION" and the fourth is the "QUANTITY".

The "**ITEM**" is the number used in the corresponding illustration.

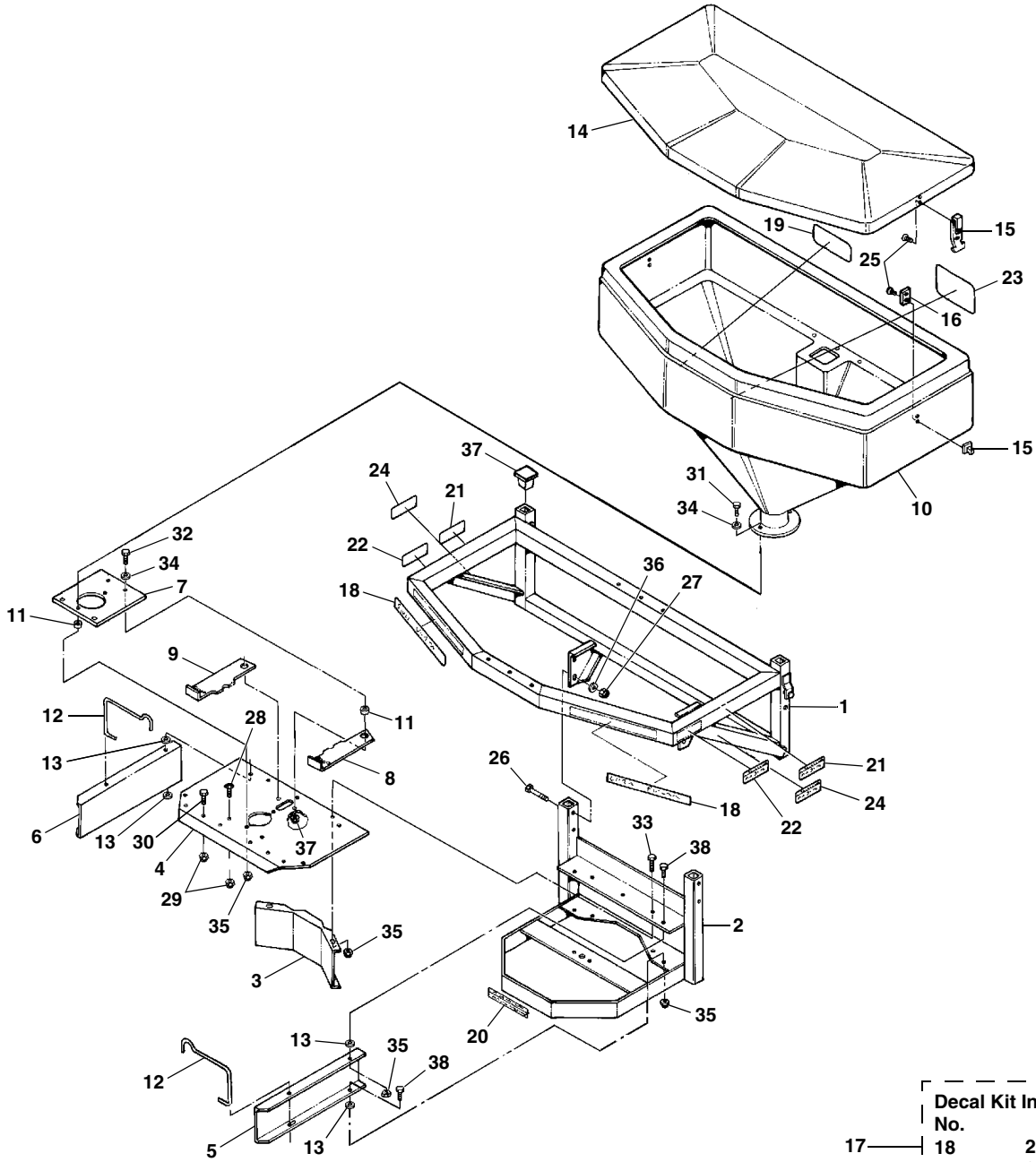
The "**PART NO.**" Is the number used to order replacement parts. If a number does not appear in the column the part is only available by ordering the complete assembly.

The "**DESCRIPTION**" is the name of the replacement part. At times the name may be indented, this means that the indented parts are part of the preceding assembly.

The "**QTY.**" Is the quantity needed to service the assembly illustrated, not the complete product.

ITEM	PART NO.	DESCRIPTION	QTY.
1	96100083	O-ring	1
2	96001529	Elbow	3
3	98100036	Capscrew, Hex., 3/8"-16NC x 7/8"	9

# HOPPER FRAME

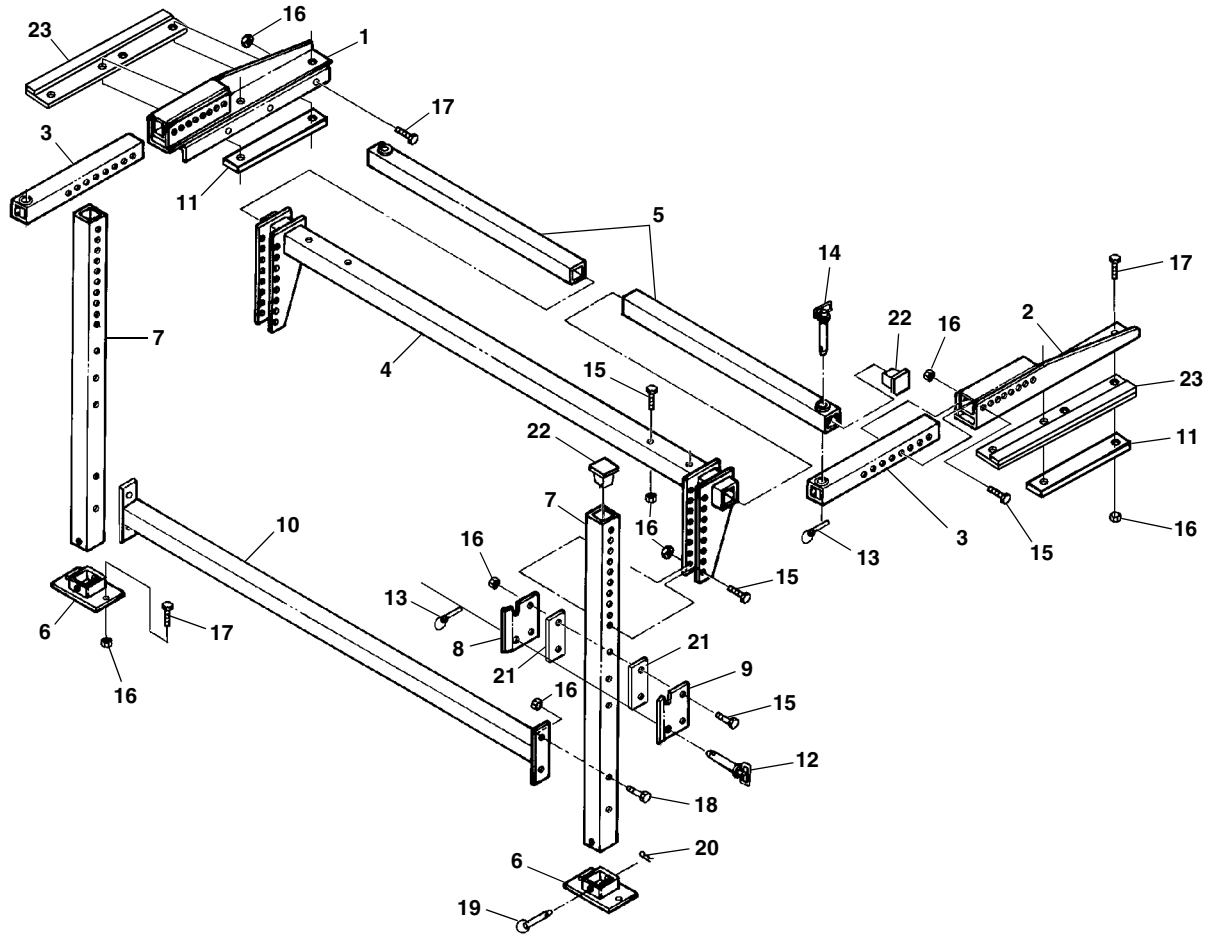


Decal Kit Includes	
No.	
18	22
19	23
20	24
21	

# HOPPER FRAME

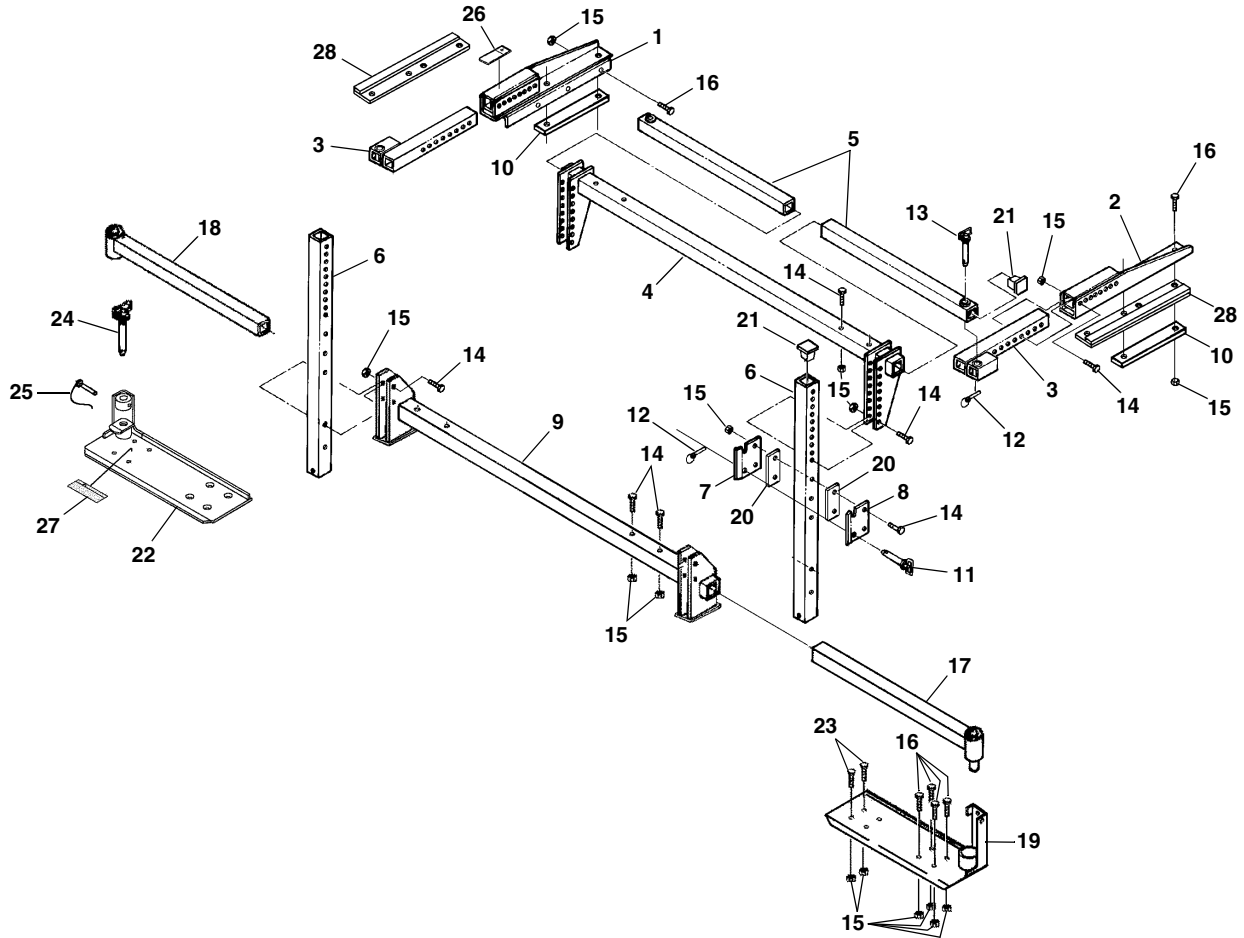
ITEM	PART NO.	DESCRIPTION	QTY.
1	96102072	Frame, Hopper Support . . . . .	1
2	96102077	Frame, Lower . . . . .	1
3	96101906	Deflector, Front. . . . .	1
4	96101901	Deflector, Upper . . . . .	1
5	96101908	Deflector, Side, RH . . . . .	1
6	96102454	Deflector, Side, LH . . . . .	1
7	96102143	Plate, Valve Mounting . . . . .	1
8	96102248	Plate, Valve, RH . . . . .	1
9	96101902	Plate, Valve, LH . . . . .	1
10	96101793	Hopper . . . . .	1
11	96101915	Spacer . . . . .	4
12	96101905	Rod, Adjustment . . . . .	2
13	98009232	Washer, Nylon . . . . .	4
14	96102245	Cover, Hopper . . . . .	1
15	96102275	Latch, Flexible . . . . .	2
16	96102276	Plate, Backing . . . . .	4
17	96102277	KIT, DECAL . . . . .	1
18		Decal, Sno-Way . . . . .	
19		Decal, Important . . . . .	
20		Decal, Warning . . . . .	
21		Decal, Warning . . . . .	
22		Decal, Warning . . . . .	
23		Decal, Important . . . . .	
24		Decal Warning . . . . .	2
25	98100116	Screw, Pan Head, #10-24 x 3/4" SS . . . . .	6
26	98009134	Cap Screw, Hex Head, 3/8"-16 x 2-1/2" . . . . .	4
27	98009009	Nut, Nylock, 3/8"-16 . . . . .	4
28	98009212	Screw, Pan Head 1/4-20NC x 5/8" SS . . . . .	2
29	98100119	Nut, Nylock, 1/4"-20 SS . . . . .	4
30	98100130	Cap Screw, Hex Head, 1/4"-20 x 5/8" SS. . . . .	2
31	98100113	Cap Screw, Hex Head, 5/16"-18 x 1-1/2" SS . . . . .	2
32	98100111	Cap Screw, Hex Head, 5/16"-18 x 1-1/4" SS . . . . .	2
33	98100112	Cap Screw, Hex Head, 5/16"-18 x 3/4" SS. . . . .	5
34	98100123	Washer, Plain, 5/16" SS . . . . .	4
35	98100118	Nut, Nylock, 5/16"-18 SS . . . . .	13
36	98009032	Washer, Plain 3/8" . . . . .	4
37	98100143	Plug, Plastic . . . . .	4
38	98100131	Cap Screw, Hex Head, 5/16"-18 NC x 1" SS . . . . .	4

# VEHICLE FRAME - FIXED



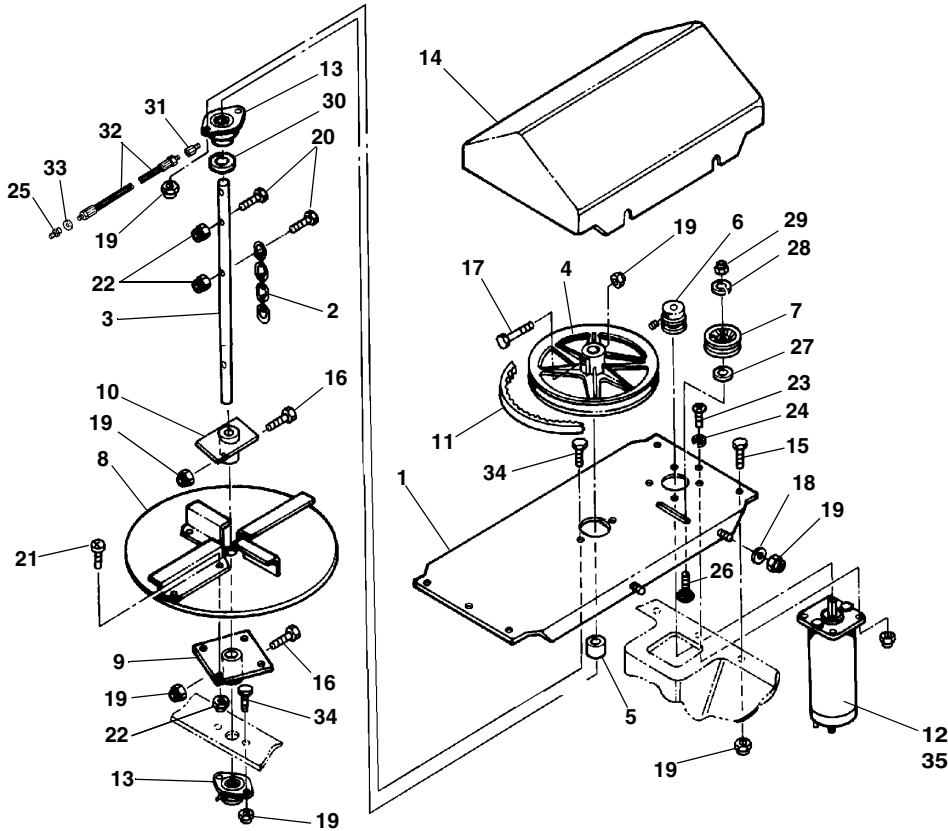
ITEM	PART NO.	DESCRIPTION	QTY.
1	96102402	Plate, Mount Upper, LH . . . . .	1
2	96102401	Plate, Mount Upper, RH . . . . .	1
3	96101819	Bar, Adjustment . . . . .	2
4	96101909	Tube, Front Center . . . . .	1
5	96101801	Bar, Upper Attaching . . . . .	2
6	96101795	Plate, Lower Support . . . . .	2
7	96101912	Tube, Vertical Support . . . . .	2
8	96102045	Plate, Latch, LH . . . . .	2
9	96102046	Plate, Latch, RH . . . . .	2
10	96101798	Bar, Lower Cross . . . . .	1
11	96102273	Plate, Backing . . . . .	2
12	96102052	Pin, Hitch . . . . .	2
13	98009169	Pin, Lynch . . . . .	4
14	96101794	Pin, Hitch . . . . .	2
15	98100027	Cap Screw, Hex Head, 3/8"-16NC x 2-3/4" . . . . .	16
16	98009009	Nut, Nylock, 3/8"-16NC . . . . .	34
17	98009034	Cap Screw, Hex Head, 3/8"-16NC x 1-1/4" . . . . .	14
18	98009134	Cap Screw, Hex Head, 3/8"-16NC x 2-1/2", GR8 . . . . .	4
19	96102373	Pin, Ring . . . . .	2
20	98009019	Pin, Hair, Cotter . . . . .	2
21	96102399	Shim, Latch Plate . . . . .	4
22	98100143	Plug, Plastic . . . . .	4
23	96104461	Shim Plate . . . . .	2

# VEHICLE FRAME - PIVOTING



ITEM	PART NO.	DESCRIPTION	QTY.
1	96102402	Plate, Mount Upper, LH . . . . .	1
2	96102401	Plate, Mount Upper, RH . . . . .	1
3	96102875	Bar, Adjustment . . . . .	2
4	96101909	Tube, Front Center . . . . .	1
5	96101801	Bar, Upper Attaching . . . . .	2
6	96101912	Tube, Vertical Support . . . . .	2
7	96102045	Plate, Latch, LH . . . . .	2
8	96102046	Plate, Latch, RH . . . . .	2
9	96102878	Bar, Lower Cross . . . . .	1
10	96102273	Plate, Backing . . . . .	2
11	96102052	Pin, Hitch . . . . .	2
12	98009169	Pin, Lynch . . . . .	4
13	96101794	Pin, Hitch . . . . .	2
14	98100027	Cap Screw, Hex Head, 3/8"-16NC x 2-3/4" . . . . .	24
15	98009009	Nut, Nylock, 3/8"-16NC . . . . .	46
16	98009034	Cap Screw, Hex Head, 3/8"-16NC x 1-1/4" . . . . .	18
17	96102870	Tube, Pivot Side . . . . .	1
18	96102874	Tube, Latch Side . . . . .	1
19	96102861	Plate, Pivot . . . . .	1
20	96102399	Shim, Latch Plate . . . . .	4
21	98100143	Plug, Plastic . . . . .	4
22	96102865	Plate, Latch . . . . .	1
23	98100163	Screw, Flat Head, 3/8" x 1-1/4" . . . . .	4
24	96102859	Pin, Latch . . . . .	1
25	98100162	Pin, Tab Lock . . . . .	1
26		Decal, Warning - See Decal Kit On Page #3 . . . . .	1
27		Decal, Warning - See Decal Kit On Page #3 . . . . .	1
28	96104461	Shim Plate . . . . .	2

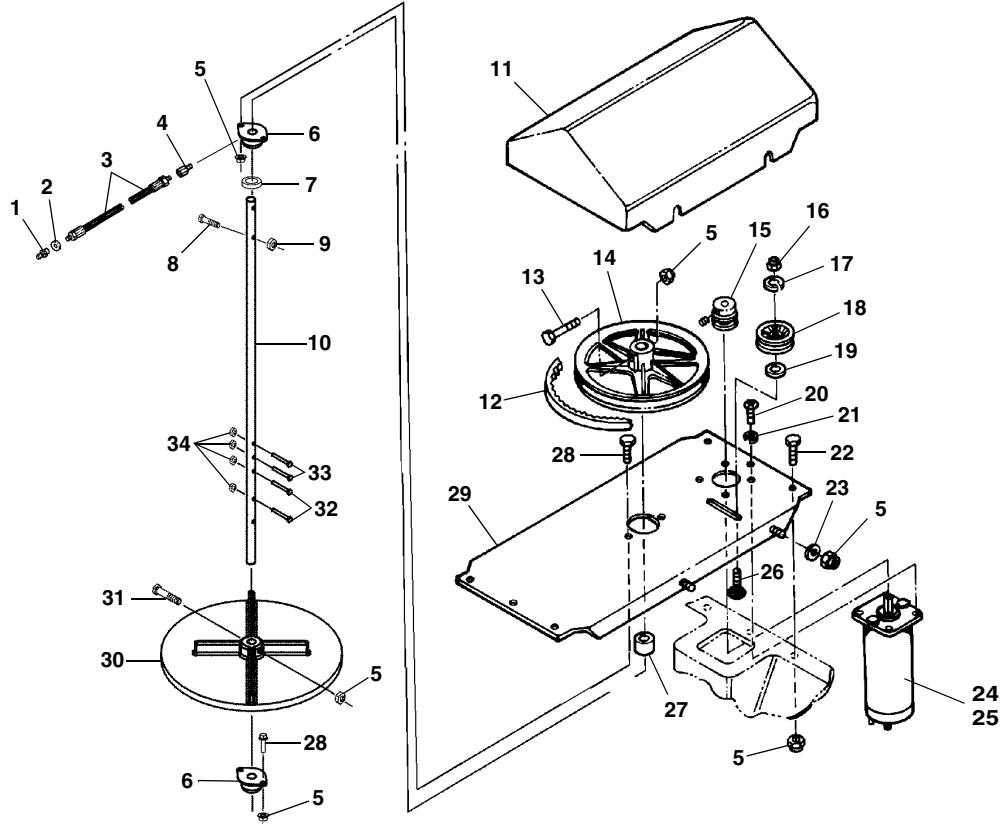
# DRIVE (SN: 10S100000 - 10S101799)



ITEM	PART NO.	DESCRIPTION	QTY.
1	96102294	Plate, Drive Mount	1
2	96102317	Chain, Machine	1
3	96102146	Shaft, Spinner Drive	1
4	96102026	Sheave, 9"OD	1
5	96102025	Spacer	1
6	96102016	Sheave, 1-1/2"PD	1
7	96102034	Pulley, Idler, 2"	1
8	96102281	Spinner Assembly	1
9	96102360	Hub, Spinner	1
10	96101921	Agitator Assembly	1
11	96102018	V-Belt, 36" OA Length	1
12	96102027	Motor, 12VDC	1
13	96101831	Bearing, Flange Mount	2
14	96102249	Cover, Drive	1
15	98100111	Cap Screw, Hex Head, 5/16"-18NC x 1-1/4" SS	6
16	98100115	Cap Screw, Hex Head, 5/16"-18 NC x 1-3/4" SS	2
17	98100114	Cap Screw, Hex Head, 5/16"-18 NC x 2-1/4" SS	1
18	98100123	Washer, Plain, 5/16" SS	4
19	98100118	Nut, Nylock, 5/16"-18 NC SS	17
20	98100127	Cap Screw, Hex Head, 1/4"-20 NC x 1-1/2" SS	2
21	98100145	Cap Screw, Hex Head, 1/4"-20 NC x 3/4" SS	4
22	98100119	Nut, Nylock, 1/4"-20 NC SS	6
23	98100139	Screw, Self Tapping, 1/4" x 1"	4
24	98009226	Washer, Lock, 1/4" SS	4
25	98100133	Fitting, Grease	1
26	98100128	Bolt, Carriage, 3/8-16 NC x 2-1/4" SS	1
27	98100124	Washer, Plain, 3/8" SS	1
28	98100125	Washer, Lock, 3/8" SS	1
29	98100120	Nut, Hex, 3/8"-16NC SS	1
30	96102405	Washer, Special	1
31	96102453	Adapter	1
32	96102452	Hose, Lubrication	1
33	98100134	Washer, Special	1
34	98100131	Cap Screw, Hex Head, 5/16"-18 NC x 1" SS	4
35	96104283	Brush Card (Brush Service Kit for 96102027 Motor)	1

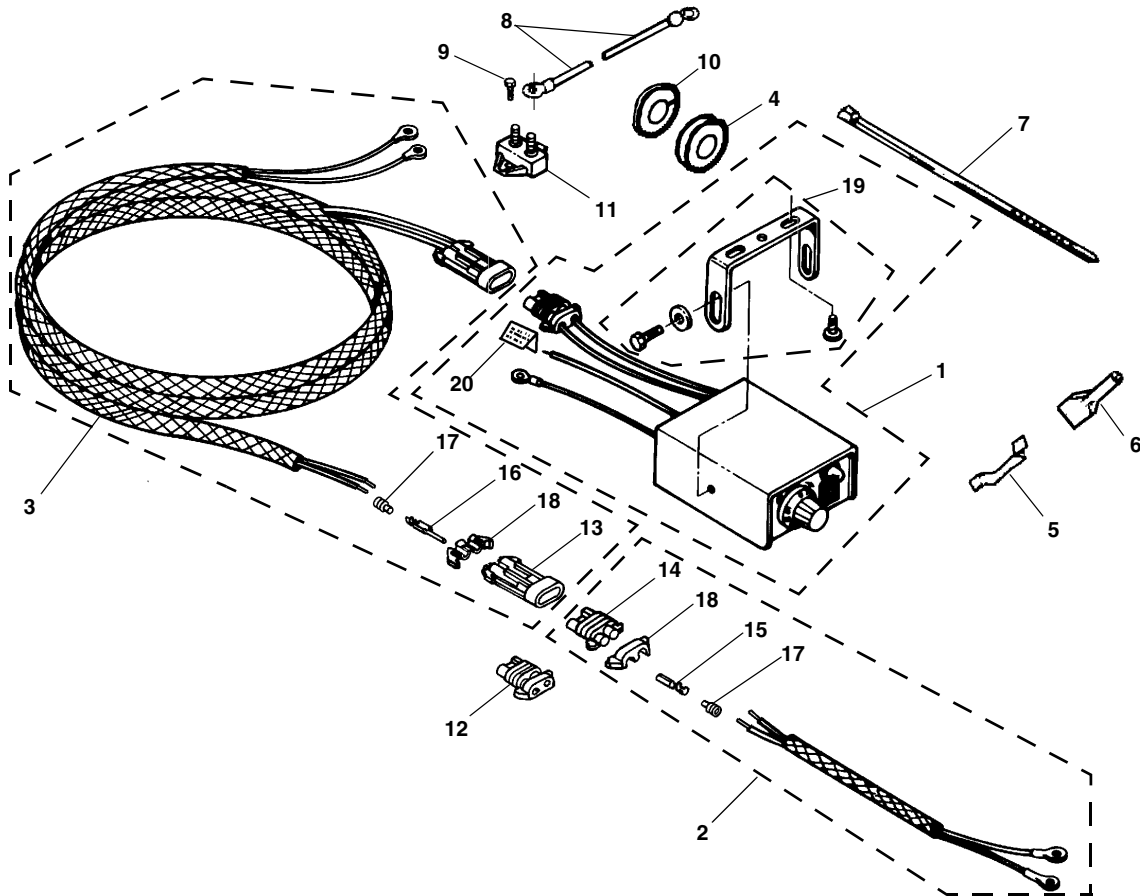


# DRIVE (SN: 10S101800 - LATER)



ITEM	PART NO.	DESCRIPTION	QTY.
1	98100133	Fitting, Grease . . . . .	1
2	98100134	Washer, Special . . . . .	1
3	96102452	Hose, Lubrication . . . . .	1
4	96102453	Adapter . . . . .	1
5	98100118	Nut, Nylock, 5/16"-18 SS . . . . .	16
6	96101831	Bearing, Flange Mount . . . . .	2
7	96102405	Washer, Special . . . . .	1
8	98100127	Cap Screw, Hex Head, 1/4"-20 x 1-1/2" SS . . . . .	1
9	98100119	Nut, Nylock, 1/4"-20 SS . . . . .	1
10	96107417	Shaft, Spinner Drive (Chunk Buster) . . . . .	1
11	96102249	Cover, Drive . . . . .	1
12	96102018	V-Belt, 36" OA Length . . . . .	1
13	98100114	Cap Screw, Hex Head, 5/16"-18 x 2-1/4" SS . . . . .	1
14	96102026	Sheave, 9" OD . . . . .	1
15	96102016	Sheave, 1-1/2" PD (includes set screw) . . . . .	1
16	98100120	Nut, Hex, 3/8"-16 SS . . . . .	1
17	98100125	Washer, Lock, 3/8" SS . . . . .	1
18	96102034	Pulley, Idler, 2" . . . . .	1
19	98100124	Washer, Plain, 3/8" SS . . . . .	1
20	98100139	Screw, Self Tapping, 1/4" x 1" . . . . .	4
21	98009226	Washer, Lock, 1/4" SS . . . . .	4
22	98100111	Cap Screw, Hex Head, 5/16"-18 x 1-1/4" SS . . . . .	6
23	98100123	Washer, Plain, 5/16" SS . . . . .	4
24	96105846	Motor, 12VDC . . . . .	1
25	96105922	Brush Card, (Brush Service Kit for 96105846 Motor) . . . . .	1
26	98100128	Bolt, Carriage, 3/8-16 NC x 2-1/4" SS . . . . .	1
27	96102025	Spacer . . . . .	1
28	98100131	Cap Screw, Hex Head, 5/16"-18 x 1" SS . . . . .	4
29	96103958	Plate, Drive Mount . . . . .	1
30	96106135	Spinner, 16" Polyethylene . . . . .	1
31	98100281	Bolt, 5/16-18 x 2-1/2" SS . . . . .	1
32	98100253	Bolt, 1/4"-20 x 1-1/4" . . . . .	2
33	98100299	Bolt, 1/4"-20 x 2" (Chunk Buster) . . . . .	2
34	98100255	Nut, 1/4"-20 Nylock . . . . .	4

# ELECTRICAL



ITEM	PART NO.	DESCRIPTION	QTY
1	96104104	Controller (Includes 96104101 Mounting Bracket)	1
2	96102292	Harness, Motor	1
3	96102293	Harness, Vehicle	1
4	96002077	Grommet, 3/4"	1
5	96002083	Tap, 1/4", ATC/ATO Fuse	1
	96101832	Tap, 1/4", Mini Fuse	1
6	96002085	Terminal, 1/4", Female Push-On	1
	96101845	Connector, Female	1
7	96001227	Tie, Cable	5
8	96102362	Wire, Power	1
9	98100037	Screw, Self Tapping #10 x 1"	2
10	96101846	Seal, Neoprene	1
11	96102344	Breaker, Circuit, 40A	1
12	96102417	Cap, Storage	1
13	96102441	Connector, Female	2
14	96102346	Connector, Male	2
15	96102347	Terminal, Female (Used in Male Connector #96102346)	4
16	96102442	Terminal, Male (Used in Female Connector #96102441)	4
17	96102443	Seal, Cable	8
18	96102418	Lock, Secondary	4
19	96104101	Mounting Bracket (Includes Mounting Hardware)	1
20		Decal, Warning (Part Of Decal Kit #96102277)	1

NOTE: Item 2 includes Items 14,15,17, & 18

Item 3 includes Items 13,16,17,&18

# NUMERICAL INDEX

PART NO.	PAGE	ITEM	PART NO.	PAGE	ITEM	PART NO.	PAGE	ITEM
96001227	8	7	96102281	6	8	98009226	6	24
96002077	8	4	96102292	8	2		7	21
96002083	8	5	96102293	8	3	98009232	3	13
96002085	8	6	96102294	6	1	98100027	4	15
96101793	3	10	96102317	6	2		5	14
96101794	4	14	96102344	8	11	98100037	8	9
	5	13	96102346	8	14	98100111	3	32
96101795	4	6	96102347	8	15		6	15
96101798	4	10	96102360	6	9		7	22
96101801	4	5	96102362	8	8	98100112	3	33
	5	5	96102373	4	19	98100113	3	31
96101819	4	3	96102399	4	21	98100114	6	17
96101831	6	13		5	20		7	13
	7	6	96102401	4	2	98100115	6	16
96101832	8	5		5	2	98100116	3	25
96101845	8	6	96102402	4	1	98100118	3	35
96101846	8	10		5	1		6	19
96101901	3	4	96102405	6	30		7	5
96101902	3	9		7	7	98100119	3	29
96101905	3	12	96102417	8	12		6	22
96101906	3	3	96102418	8	18		7	9
96101908	3	5	96102441	8	13	98100120	6	29
96101909	4	4	96102442	8	16		7	16
	5	4	96102443	8	17	98100123	3	34
96101912	4	7	96102452	6	32		6	18
	5	6		7	3		7	23
96101915	3	11	96102453	6	31	98100124	6	27
96101921	6	10		7	4		7	19
96102016	6	6	96102454	3	6	98100125	6	28
	7	15	96102859	5	24		7	17
96102018	6	11	96102861	5	19	98100127	6	20
	7	12	96102865	5	22		7	8
96102025	6	5	96102870	5	17	98100128	6	26
	7	27	96102874	5	18		7	26
96102026	6	4	96102875	5	3	98100130	3	30
	7	14	96102878	5	9	98100131	3	38
96102027	6	12	96103958	7	29		6	34
96102034	6	7	96104101	8	19		7	28
	7	18	96104104	8	1	98100133	6	25
96102045	4	8	96104283	6	35		7	1
	5	7	96104461	4	23	98100134	6	33
96102046	4	9		5	28		7	2
	5	8	96105846	7	24	98100139	6	23
96102052	4	12	96105922	7	25		7	20
	5	11	96106135	7	30	98100143	3	37
96102072	3	1	96107417	7	10		4	22
96102077	3	2	98009009	3	27		5	21
96102143	3	7		4	16	98100145	6	21
96102146	6	3		5	15	98100162	5	25
96102245	3	14	98009019	4	20	98100163	5	23
96102248	3	8	98009032	3	36	98100253	7	32
96102249	6	14	98009034	4	17	98100255	7	34
	7	11		5	16	98100281	7	31
96102273	4	11	98009134	3	26	98100299	7	33
	5	10		4	18			
96102275	3	15	98009169	4	13			
96102276	3	16	98009169	5	12			
96102277	3	17	98009212	3	28			

---

**SNO-WAY® INTERNATIONAL, INC.**

**SNO-WAY®**  
**SNOW & ICE CONTROL EQUIPMENT**

Hartford, WI 53027 USA  
Website: [www.snoway.com](http://www.snoway.com)  
©2005 Sno-Way® International