



WARNING

• Ensure Engine is OFF and set parking brake before mounting snow plow to vehicle. Vehicle movement, equipment failure or inadvertent operation of the control switches during installation could result in serious injury.

• NEVER place fingers in A-frame or mount lug holes to check alignment. Sudden motion of the plow could severely injure a finger.

FAILURE TO HEED CAN RESULT IN SERIOUS INJURY OR DEATH.

ASSEMBLY TOOLS NEEDED:

Drills 1/4"
Hammer

INSTALLATION NOTES:

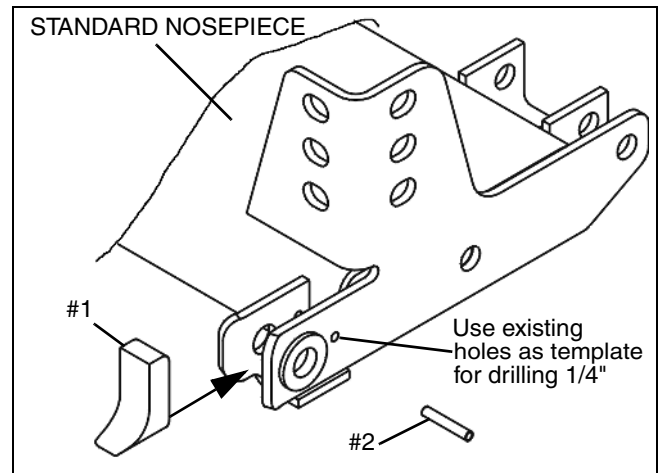
1. Read all instructions carefully before attempting installation.
2. Think safety, always wear safety glasses when performing the operations prescribed in these instructions

MOUNTING INSTRUCTIONS (For Standard Nosepiece)

1. Insert (2) Mounting Cam, Standard (#1) into the nosepiece as shown. Insure that the curved surface is faced toward the holes in the nosepiece.

NOTE: Cam fits tightly between the lugs and may need to be tapped in.

2. Make sure that the flat surface of the Cam is flush against the nosepiece. Using the holes in the lugs as a template, drill 1/4" hole through the cam. If holes are not present, measure back from the center of the large pin hole 1 3/16" and from the bottom 1 1/8". Drill a 1/4" hole through both the outer plate and the inner lug.
3. Insert (2) Spring Roll Pin (#2), one on each side, through both lugs and the Cam.

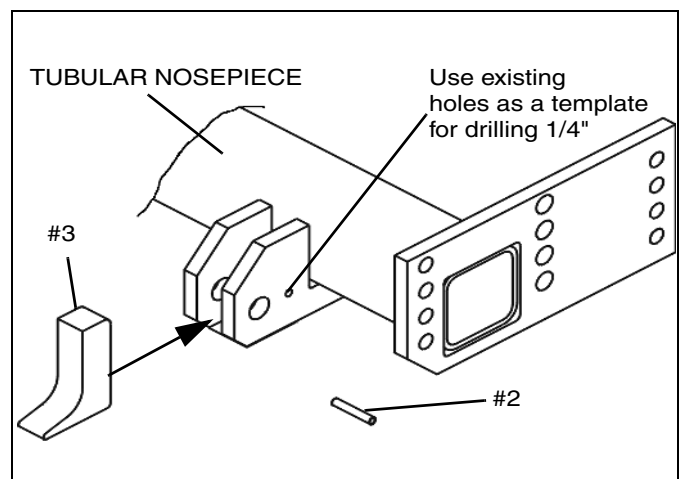


(For Tubular Nosepiece)

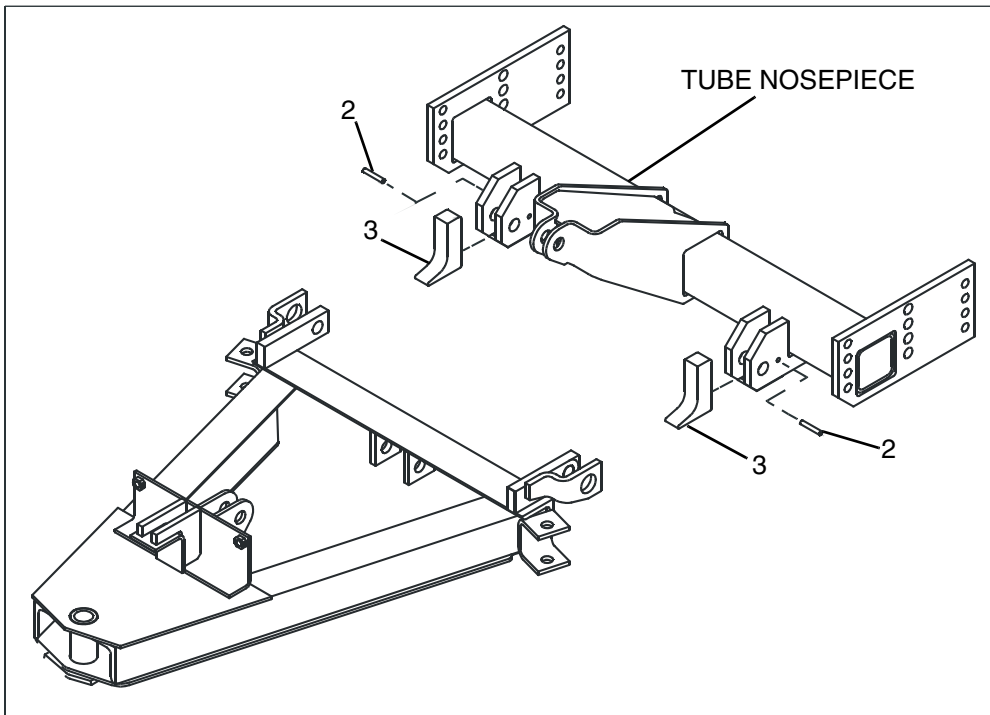
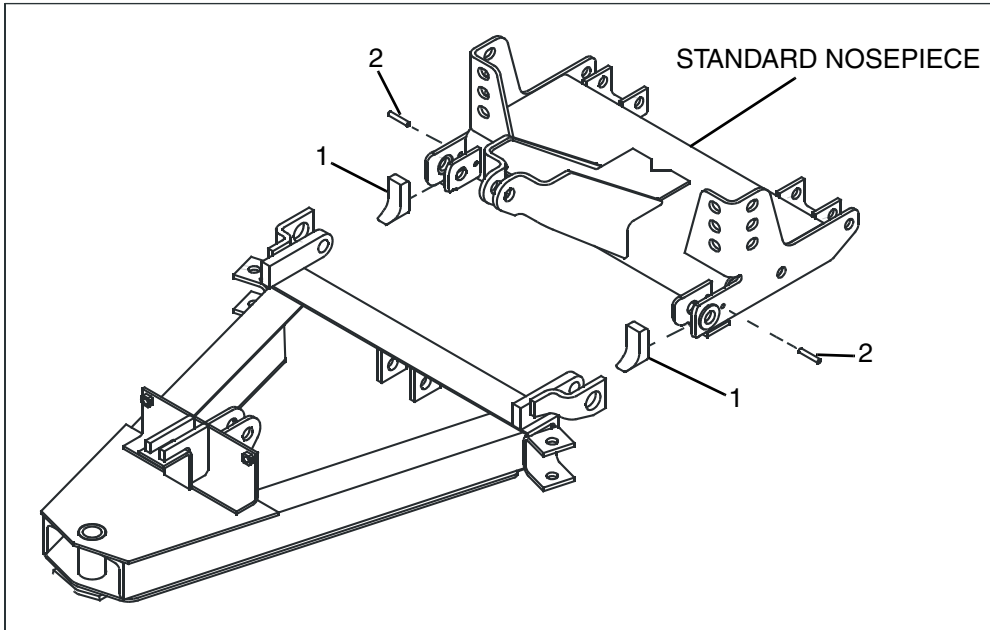
1. Insert (2) Mounting Cam, Tube (#3) into the nosepiece as shown. Insure that the curved surface is faced toward the holes in the nosepiece. Using the holes in the lugs as a template, drill 1/4" holes through the Cam.

NOTE: Cam fits tightly between the lugs and may need to be tapped in.

2. Make sure the flat surface of the Cam is flush against the nosepiece. Using the holes in the lugs as a template, drill 1/4" hole through the Cam. If holes are not present, measure 2 3/16" back from the front edge of the lug and 1 1/4" from the bottom. Drill a 1/4" hole through both of the lugs.
3. Insert (2) Spring Roll Pins (#2), one on each side, through both lugs and the Cam.



**PART NO. 96105127 BLOCK KIT, STANDARD NOSEPIECE &
PART NO. 96105128 BLOCK KIT, TUBE NOSEPIECE**



| ITEM | PART NO. | DESCRIPTION | QTY. |
|------|----------|-------------------------------|------|
| 1 | 96104579 | Cam, Mounting, Standard | 2 |
| 2 | 98100243 | Pin, Spring Roll | 2 |
| 3 | 96104578 | Cam, Mounting, Tube | 2 |

SNO-WAY® INTERNATIONAL, INC.



©2001 Sno-Way®
International

97100726B