



SNOW PLOW SET UP AND INSTALLATION

INSTRUCTIONS

ST SERIES SNOW PLOW

MT SERIES SNOW PLOW

HT SERIES SNOW PLOW

FOR PLOW SERIAL NUMBERS AFTER

STD200000

STG200000

MTD200000

MTG200000

HTD200000

HTG200000

TABLE OF CONTENTS

	Page
TABLE OF CONTENTS	1
INTRODUCTION	2
SAFETY	3
INSTALLATION INSTRUCTIONS	4
General	4
Electrical Installation	4
Mechanical Installation.....	5
Mounting Snow Plow To Vehicle	6
Installing The Cylinder Lock Clamp	8
Removing Snow Plow from Vehicle	8
Disk Shoe Adjustment (Optional Equipment on ST Plows).....	10
TORQUE SPECIFICATIONS	11
HYDRAULIC SCHEMATIC (Gravity Down System)	12
HYDRAULIC SCHEMATIC (Down Pressure System)	13
WIRING SCHEMATIC (Gravity Down System)	14
WIRING SCHEMATIC (Down Pressure System).....	15
PRE-DELIVERY AND DELIVERY CHECKLIST	16

INTRODUCTION

This manual was written for the assembly, installation and set up of the of your new Sno-Way plow. Most importantly, this manual provides an operating plan for safe use. Refer to the Table of Contents for an outline of this manual.

Please keep this manual with your machine at all times as reference material and so it can be passed on to the next owner if the machine is sold.

We require that you read and understand the contents of this manual COMPLETELY, especially the chapter on SAFETY, before attempting any procedure contained in this manual.



The Society of Automotive Engineers has adopted this SAFETY ALERT SYMBOL to pinpoint characteristics that, if NOT carefully followed, can create a safety hazard. When you see this symbol in this manual or on the machine itself, BE ALERT!, your personal safety and the safety of others, is involved.

• Defined in the next column, are the SAFETY ALERT messages and how they will appear in this manual.



WARNING

FAILURE TO HEED CAN RESULT IN SERIOUS INJURY OR DEATH.



CAUTION

Information, that if not carefully followed, can cause minor injury or damage to equipment!

NOTE: Additional information concerning the equipment or the procedure that may or may not be contained elsewhere in this manual.

BE AWARE! It is illegal to remove, deface or otherwise alter the safety decals mounted on this equipment.

We reserve the right to make changes or improve the design or construction of any part(s) without incurring the obligation to install such parts or make any changes on any unit previously delivered.

REMEMBER after the snow plow is installed on the vehicle, the Pre-Delivery Check List and Delivery Check List (on the outside back cover of this manual) must be completed

TOOL LIST

Safety Goggles

Wrenches 3/8" - 15/16"

Impact Wrench

Wire Crimp Tool

Utility knife

12 Volt Test Light

Impact Sockets 3/8" - 15/16"

Two (2) 6" C-Clamps

Drill

Drill Bit 9/32", 5/16"



SAFETY



BEFORE ATTEMPTING ANY PROCEDURE IN THIS BOOK, READ AND UNDERSTAND ALL THE SAFETY INFORMATION CONTAINED IN THIS SECTION. IN ADDITION, ENSURE ALL INDIVIDUALS WORKING WITH YOU ARE ALSO FAMILIAR WITH THESE SAFETY PRECAUTIONS.

For your safety Warning and Information Decals have been placed on this product to remind the operator to take safety precautions. It is important that these decals are in place and are legible before operation begins. New decals can be obtained from Sno-Way or your local dealer.

REMEMBER The careful operator is the best operator. Most accidents are caused by human error. Certain precautions must be observed to prevent the possibility of injury to operator or bystanders and/or damage to equipment.

NEVER operate Plow when under the influence of alcohol, drugs or other medications that could hamper your judgement and reactions. An accident may result in serious injury or death to other persons or yourself.

ALWAYS operate vehicle in a well-ventilated area. The carbon monoxide in exhaust gas is highly toxic and can cause serious injury or death.

NEVER allow hands, hair or clothing to get near any moving parts such as fan blades, belts and pulleys. Never wear neckties or loose clothing when working on the vehicle.

NEVER wear wrist watches, rings or other jewelry when working on the vehicle or individual equipment. These things can catch on moving parts or cause an electrical short circuit that could result in serious personal injury.

ALWAYS wear safety goggles when working on the vehicle to protect your eyes from battery acid, gasoline, and dust or dirt from flying off of moving engine parts.

ALWAYS be aware of and avoid contact with hot surfaces such as engine, radiator, and hoses.

ALWAYS wear safety glasses with side shields when striking metal against metal! In addition, it is recommended that a softer (non-chipable) metal material be used to cushion the blow. Failure to heed could result in serious injury to the eye(s) or other parts of the body.

NEVER allow children or unauthorized person to operate this unit.

NEVER exceed 45 m.p.h. when snow plow is attached to vehicle. Braking distances may be reduced and handling characteristics may be impaired at speeds above 45 m.p.h.

ALWAYS lock the vehicle when unattended to prevent unauthorized operation of the plow.

ALWAYS check the job site for terrain hazards, obstructions and people.

NEVER exceed 10 m.p.h. when plowing. Excessive speed may cause serious injury and damage of equipment and property if an unseen obstacle is encountered while plowing.

ALWAYS position blade so it does not block path of headlamps beam. Do not change blade positions while traveling. An incorrect plow position blocking headlamp beam may result in an accident.

ALWAYS check surrounding area for hazardous obstacles before operating this unit.

ALWAYS inspect the unit periodically for defects. Parts that are broken, missing or plainly worn must be replaced immediately. The unit, or any part of it should not be altered without prior written approval of the manufacturer.

ALWAYS insert the cylinder lock when plow is not in use. If the cylinder lock is not installed, the plow blade could inadvertently drop and cause serious injury.

ALWAYS shut off the vehicle engine, place the transmission in Neutral or Park, turn the ignition switch to the "OFF" position, firmly apply the parking brake of the vehicle and turn "OFF" the plow controller before attaching or detaching the blade from the vehicle or when making adjustments to the blade.

ALWAYS inspect lift system bolts and pins whenever attaching or detaching the plow, and before traveling. Worn or damaged components could result in the plow dropping to the pavement while driving, causing an accident.

ALWAYS keep hands and feet clear of blade and A-Frame when attaching or detaching plow.

NEVER place fingers in A-frame or mount lug holes to check alignment when attaching snow plow. Sudden motion of the plow could severely injure a finger.

NEVER stand between the vehicle and blade or directly in front of blade when it is being raised, lowered or angled. Clearance between vehicle and blade decreases as blade is operated and serious injury or death can result from blade striking a body or dropping on hands or feet.

NEVER work on the vehicle without having a fully serviced fire extinguisher available. A 5 lb or larger CO² or dry chemical unit specified for gasoline, chemical or electrical fires, is recommended.

NEVER smoke while working on the vehicle. Gasoline and battery acid vapors are extremely flammable and explosive.

NEVER use your hands to search for hydraulic fluid leaks; escaping fluid under pressure can be invisible and can penetrate the skin and cause a serious injury! If any fluid is injected into the skin, see a doctor at once! Injected fluid **MUST BE** surgically removed by a doctor familiar with this type of injury or gangrene may result.

REMEMBER it is the owner's responsibility for communicating information on the safe use and proper maintenance of this machine.

INSTALLATION INSTRUCTIONS

General

Install the sub-frame on the vehicle using the instructions supplied with the sub-frame package.

Electrical Installation

1. Remove the power harness, power wire, circuit breaker and related hardware from the harness bag in the power pack carton.

NOTE: Take the extra time needed to plan the routing of the wiring harness before drilling any holes or fastening the harness or circuit breaker in place. Read all the instructions carefully to ensure all the required conditions are met for a safe and professional installation.



WARNING

Disconnect the vehicle NEG. (-) battery cable while performing steps 2 and 3 to avoid serious bodily injury from electrical shock, fire or explosion. Do not re-connect the NEG. (-) battery cable until indicated in step 4

FAILURE TO HEED CAN RESULT IN SERIOUS INJURY OR DEATH.

2. Position the circuit breaker so that the red power wire can be connected to the battery terminal of the circuit breaker and to the POS. (+) terminal on the battery, the power harness red wire can be connected to the circuit breaker and the power harness black wire can be connected to the NEG. (-) terminal of the battery.

IMPORTANT: The circuit breaker must be placed in a location that will not be subject to excessive heat. DO NOT locate the circuit breaker near the exhaust manifold. A preferred location is one that will receive good air flow from the radiator fan, but will be protected from excessive engine heat. Also, the circuit breaker should, if possible, be mounted with the base of the circuit breaker horizontal.

3. Mount the circuit breaker with two (2) #10 x 1" self-tapping screws.

4. Attach the 2ft. long power wire to the battery terminal of the circuit breaker and to the POS. (+) terminal of the battery. Attach the power harness red wire to the circuit

breaker. Attach the power harness black wire to the NEG. (-) terminal of the battery. Be sure that all terminal connections are tightened properly and spray all terminal connections with a battery terminal protective coating.

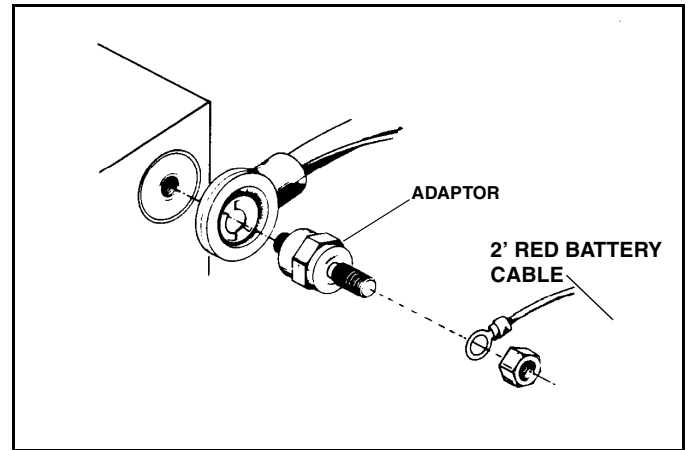


Figure 1-1

NOTE: If the vehicle has a 'side post' battery, it is recommended that adaptors be purchased to make connection at the battery easier (See Figure 1-1) Adaptors can be purchased locally or are available from your Sno-Way dealer, Part #96100773.

5. Route the vehicle power harness down to the front of the vehicle in a position to allow connection later to the plow power harness (when the plow is mounted to the vehicle). Be sure that the harness routing does not interfere with, or contact, any moving parts in the engine compartment. In addition, proper routing will keep the harness clear of any areas subject to excessive heat. When the harness routing is satisfactory, fasten the harness in place using plastic tie straps.

6. At this time, remove the control package components from the control package and install the control system components using the instructions included with the package.

7. If the lighting system is used, install light wiring in the vehicle using the instructions included with the lighting system.

8. Apply a small amount of dielectric grease to all electrical connectors.

Mechanical Installation

1. Remove power pack from shipping container.
2. Remove the two (2) pivot pins, two (2) washers and two (2) special cotters from the blade parts box in the power pack container.

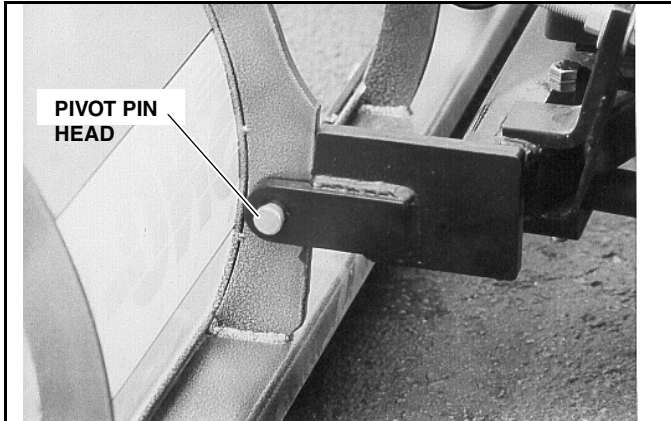


Figure 1-2

3. Align inside snow plow blade ribs with power pack swing frame end lugs. Align holes in both blade rib and end lug and insert pivot pins. (See Figure 1-2)

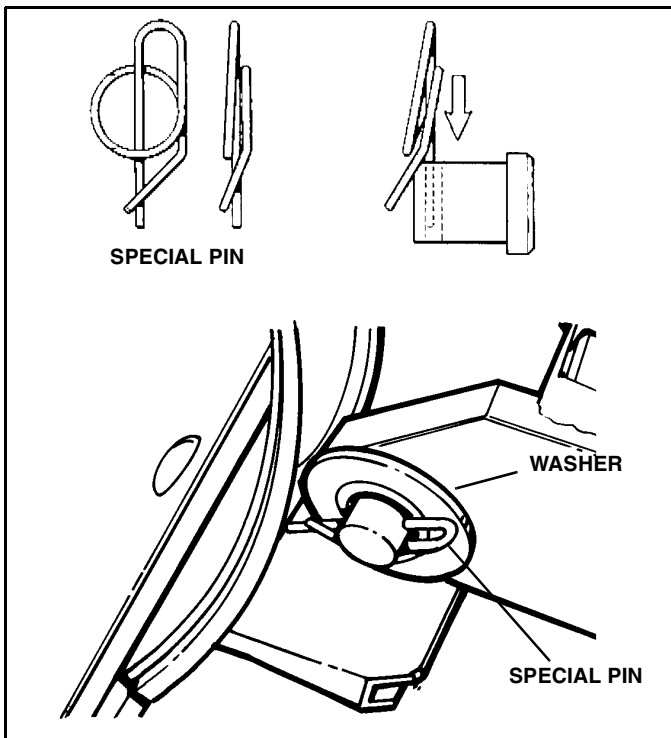


Figure 1-3

4. Secure pivot pins by installing flat washers and inserting special cotter pins in pivot pin hole until loop of special pin is engaged over end of pivot pin. (See Figure 1-3)

5. Attach trip springs found in blade parts box to both trip spring mounting brackets on top of blade assembly. Insure that spring is installed as illustrated with open end of top loop facing vehicle. (See Figure 1-4) Insert other end of spring into eyebolts. Install nuts and flat washers on eyebolts and tighten until trip spring coils begin to separate. (See Figure 1-4)

NOTE: Springs are properly adjusted when two or more coils allow a 0.010" feeler gauge to just pass between the separated coils. (A 3 x 5 post card is approximately the same thickness.)



CAUTION

- Do not overtighten springs. If more than 0.015" (1/64") gap appears between coil with plow at rest damage could occur to equipment during plowing.
- Spring must be installed with open end of top loop facing vehicle. Bottom loop position will vary.

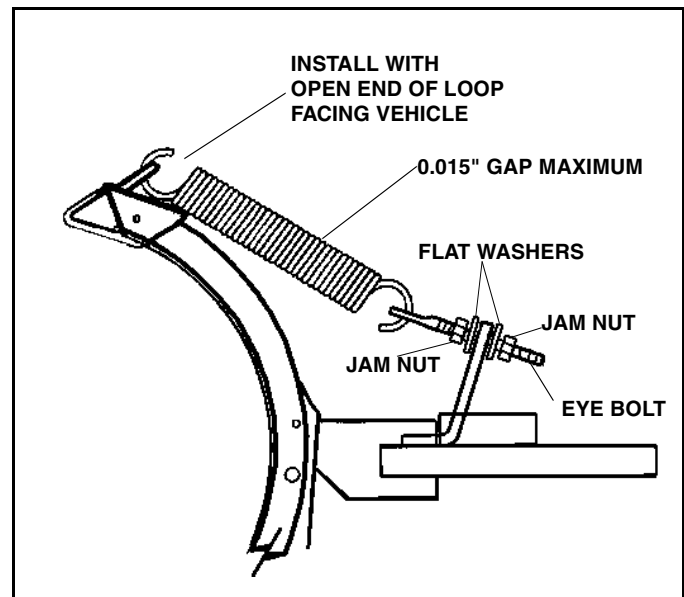


Figure 1-4

6. Install deflector at this time. Refer to mounting instructions supplied with the deflector kit. Install blade guides (blade side markers) to holes in outside blade ribs, secure using hardware supplied with blade guide kit. (See Figure 1-5)

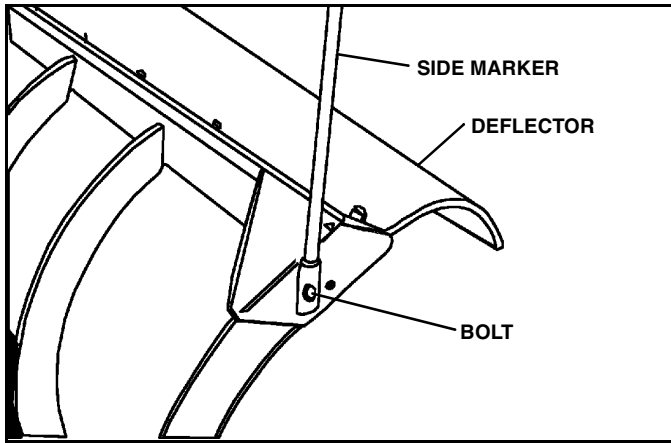


Figure 1-5

7. Install the light bar and lights at this time using the instructions included in the light and light mounting package.



WARNING

- Ensure engine is OFF and set parking brake before mounting snow plow to vehicle. Vehicle movement, equipment failure or inadvertent operation of the control switches during installation could result in serious injury.
- NEVER place fingers in A-frame or mount lug holes to check alignment. Sudden motion of the plow could severely injure a finger.

FAILURE TO HEED CAN RESULT IN SERIOUS INJURY OR DEATH.

Mounting Snow Plow To Vehicle

1. Plow must be on a level surface, supported by the jack stand. Drive truck towards plow and align lugs on plow to fit inside the lugs on each side of the truck sub-frame. Continue to pull forward towards plow until the plow lugs ride up into position on the sub-frame inserts located between the sub-frame lugs.



WARNING

Be sure all plow functions are OFF on ALL plow controls in the vehicle cab before making ANY electrical connections.

FAILURE TO HEED CAN RESULT IN SERIOUS INJURY OR DEATH.



WARNING

- Ensure engine is OFF and set parking brake before mounting snow plow to vehicle. Vehicle movement, equipment failure, or inadvertent operation of the control switches during installation could result in serious injury.
- NEVER place fingers in A-frame or mount lug holes to check alignment. Sudden motion of the plow could severely injure a finger.

FAILURE TO HEED CAN RESULT IN SERIOUS INJURY OR DEATH.

2. Remove the protective plastic covers from the snow plow and vehicle harnesses and store them inside the vehicle for installation when the plow is removed.



WARNING

The power cable on the front of the truck is wired directly to the battery. The power cable is always energized, even if the truck is turned off. Always replace the protective cap after disconnecting the plow power cable. Allowing an unprotected plug to contact metal parts of the truck may cause electrical component damage. Never use a metal object to clean the plug contacts.

FAILURE TO HEED CAN RESULT IN SERIOUS INJURY OR DEATH.

3. Connect the plow end of the power harness to the vehicle end of the power harness.

4. Remove the hand-held controller from the vehicle to use it near the plow while mounting the plow to the vehicle. Disconnect the hand-held controller from the harness at the connector inside the vehicle. Connect it to the connector at the end of the plow control harness. Turn the hand-held controller on after connecting it to the plow control harness.



WARNING

When using the hand-held controller to raise or lower the plow A-frame for mounting the plow to the vehicle, be especially careful of the movement of the light bar, if so equipped. This movement will occur when raising or lowering the A-frame on the jackstand.

FAILURE TO HEED CAN RESULT IN SERIOUS INJURY OR DEATH.

5. If needed, the hand-held controller can be used to raise or lower the A-frame to precisely align the pinholes. To raise the plow, press the 'UP' function on the controller. To lower the plow, turn on down pressure and press the 'LOWER' function. The 'UP' function must be pressed to stop the downward motion once it begins. To lower plows without down pressure, place the plow in float and push up on the light bar (Pulling down on the light bar raises the A-frame), or push down on the A-frame if no light bar is used.



WARNING

Pressing the blade angle functions will result in the A-frame swinging if it is not secured to the truck. Do not press the angle function during plow installation.

FAILURE TO HEED CAN RESULT IN SERIOUS INJURY OR DEATH.

6. Place the plow in float (turn off the down pressure) and insert the lower hitch pins on each side of the plow. Secure the hitch pins with lynch pins.



CAUTION

NEVER move the vehicle while plow electrical harnesses are connected and the plow is not fully attached to the vehicle.

NOTE: If the plow and vehicle are not level with each other, install one lower hitch pin and then, using the 'Raise' or 'Lower' switch on the hand-held controller, adjust the A-frame height to allow installation of the second lower hitch pin.

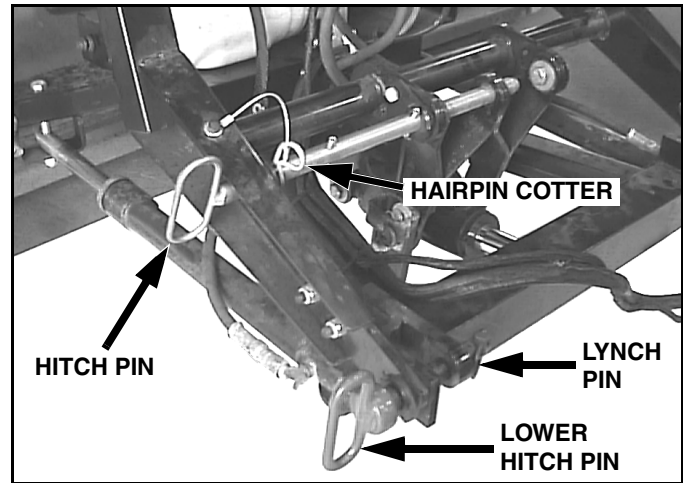


Figure 1-1

7. After the lower hitch pins and lynch pins have been installed, turn on the down pressure function (if the plow is equipped with down pressure hydraulics) and use the 'Lower' switch on the hand-held controller to raise the lift link and light bar. If the plow is not equipped with down pressure hydraulics, press the 'Lower' button to put the plow in float mode and raise the lift link and light bar manually. Raise the lift link and light bar until it contacts the nose piece.

8. Set the hand-held controller to float (turn off the down pressure). Slide the hitch pin through the mounting lugs. You may need to move the light bar back and forth to precisely align the holes. After installing the hitch pin, lock it in place by inserting the hairpin cotter into the hole in the hitch pin just to the inside of the left arm of the light bar. If the light bar is not installed, install the lynch pin in the end of the hitch pin.

9. Unlatch the jackstand from its lowered position and rotate the jackstand forward and upward, then latch it in transport position with the spring loaded pin.

IMPORTANT: The end of the spring-loaded latch pin fits into a short tube on the side of the bellcrank assembly. If the pin is not retained in this tube, the jackstand may become loose and fall down during plowing or transport.

10. Disconnect the hand-held controller from the plow control harness, and connect the plow control harness to the vehicle control harness. Re-connect the hand-held controller to the control harness, inside the vehicle. If the snow plow is equipped with lights, connect the light wiring harness at this time.

11. Raise plow to the full up position. Check to make sure that the snow plow head lamp beam is not being impaired by the top of the blade assembly. If the head lamp beam is being impaired, adjust the upper light bar to a higher position. To prevent the headlights from interfering with

driver visibility, DO NOT raise the upper light bar higher than necessary to avoid impairment of the headlight beam when the plow is fully raised.

Installing The Cylinder Lock Clamp



WARNING

- Always install the cylinder lock clamp when the plow blade is raised and the operator is not engaged in plowing operations. Equipment failure or inadvertent operation of the control switches while driving could allow the plow blade to fall, resulting in serious injury.
- Ensure engine is OFF and set parking brake before installing the cylinder lock clamp. Vehicle movement, equipment failure, or inadvertent operation of the control switches during installation could allow the plow blade to fall, resulting in serious injury.

FAILURE TO HEED CAN RESULT IN SERIOUS INJURY OR DEATH.

1. Raise the plow to the full UP position.
2. Turn ignition switch OFF and apply the emergency brake.
3. Turn OFF the hand-held controller.
4. Remove the pin from the cylinder lock clamp.
5. Position the cylinder lock clamp around the exposed (chrome) portion of the lift cylinder and install the pin. (See Figure 1-2)

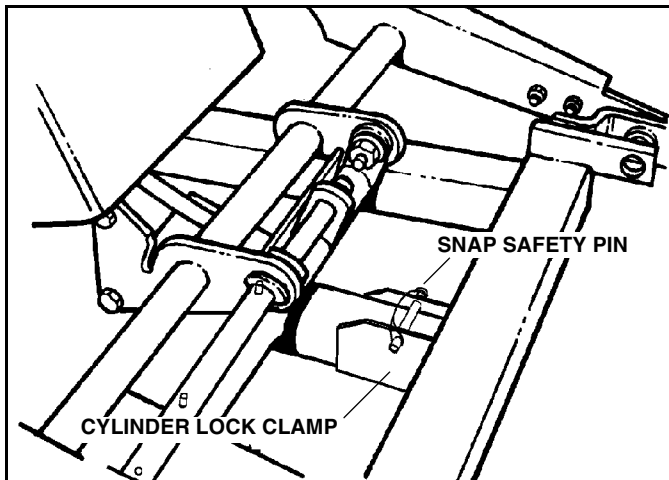


Figure 1-2

Removing Snow Plow From Vehicle

Choose a location for the plow storage which will allow the plow to be removed from the vehicle and not moved after removal. Also, choose a location which will not allow the stand to sink into the ground during storage.

1. Drive vehicle to the desired snow plow storage area. It is recommended that the plow be stored in a dry, protected area.

NOTE: Plow should be thoroughly cleaned of all grime and road salt before it is put into storage.

2. Lower the plow to the ground, put vehicle in park, turn off the engine and set the park brake.



WARNING

- Ensure engine is OFF and parking brake is set before removing snow plow from vehicle. Vehicle movement, equipment failure or inadvertent operation of the control switches during removal could result in serious injury.

- Ensure all personnel are clear of the area surrounding the plow storage location before angling or lowering the plow to prevent serious injury.

FAILURE TO HEED CAN RESULT IN SERIOUS INJURY OR DEATH



CAUTION

When disconnecting the plow control harness, turn the locking nut at the end of the connector only. Do not turn the threaded boot. Turning the threaded boot will break the wires in the harness and cause the controller to stop functioning. See figure 1-3

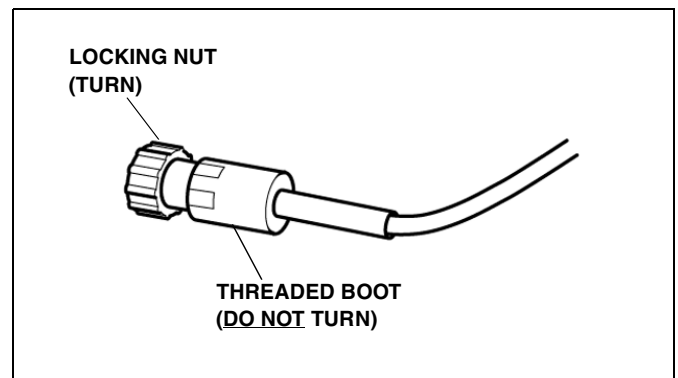


Figure 1-3

3. Remove the hand-held controller from the cab of the vehicle. Disconnect the plow control harness from the vehicle control harness at the front of the vehicle, and connect the hand-held controller to the plow control harness.

IMPORTANT: Disconnect the light wiring harness at this time, and install the protective caps over the ends of the harness.



WARNING

When using the hand-held controller to raise or lower the plow A-frame, be especially careful of movement of the light bar. This occurs during raising and lowering of the A-frame on the jackstand

FAILURE TO HEED CAN RESULT IN SERIOUS INJURY OR DEATH

4. Pull the spring-loaded latch pin on the jackstand to release the jackstand from the transport position. Rotate the jackstand down to a vertical position and insert the second spring-loaded latch pin into the hole in the lift bar to hold the jackstand in a vertical position.

5. Turn hand-held controller on, then turn Down Pressure System ON and then OFF to release load on the top hitch pin. Pull the lock-pin (hairpin cotter) from the upper hitch pin and slide the upper hitch pin out to disconnect the lift arm and light bar from the upper (center) hitch point of the sub-frame. Make sure the plow light harness is disconnected.



WARNING

Keep hands and feet clear of A-frame when detaching the plow. Moving or falling assemblies could result in serious injury.

FAILURE TO HEED CAN RESULT IN SERIOUS INJURY OR DEATH

6. Using the hand-held controller, place the jackstand firmly on the ground by using the 'Raise' switch of the controller.

7. Place plow in float (turn off the down pressure), remove the lynch pins, and then remove the hitch pins.

8. After the lower hitch pins are removed, raise the rear of the A-frame (using the 'Raise' switch on the controller) to allow the A-frame to be raised clear of the mounting points of the sub-frame.

9. After the plow is positioned satisfactorily for storage, disconnect the power harness from the vehicle at the connector at the front of the vehicle. Disconnect the hand-held controller from the plow control harness. Move the hand-held controller back to the cab of the vehicle.



WARNING

The power cable on the front of the truck is wired directly to the battery. The power cable is always energized, even if the truck is turned off. Always replace the protective cap after disconnecting the plow power cable. Allowing an unprotected plug to contact metal parts of the truck may cause electrical component damage. Never use a metal object to clean the plug contacts.

FAILURE TO HEED CAN RESULT IN SERIOUS INJURY OR DEATH.

10. Place protective caps (normally kept in the vehicle) on the vehicle half of the snow plow control harness and the power harness. Also, place protective caps on the plow half of the snow plow control harness and the power harness. Place the vehicle harnesses in a location on the front of the vehicle where they will not be exposed to potential damage and, if necessary, tie the harness ends in position.

11. After all of the mechanical and electrical connections have been disconnected, back the vehicle away from the snow plow.

Disk Shoe Adjustment (Optional Equipment on ST Plows)

1. Raise the plow to the full UP position.
2. Place suitable blocking under plow to allow at least 10" of clearance to the ground.
3. Lower plow onto blocking.



WARNING

Keep hands and feet clear of blade and A-frame when setting blocking and lowering plow. Moving or falling assemblies could result in serious injury.

FAILURE TO HEED CAN RESULT IN SERIOUS INJURY OR DEATH

4. Turn vehicle ignition switch and plow control OFF and apply the emergency brake.

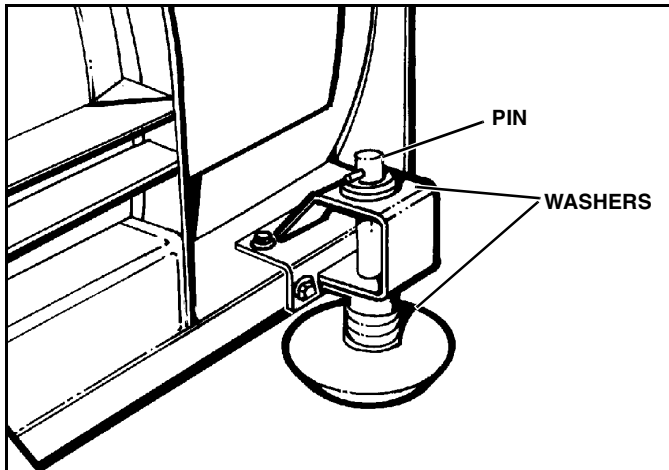


Figure 3-1

5. Adjust shoe assemblies by removing shoe mounting lynch pin and adding or subtracting washers on the top or bottom of the shoe mounting bracket. (See Figure 3-1)

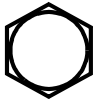

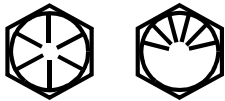





NOTE: Adjust shoe assemblies to meet road conditions. 1/4" to 1/2" off the ground for hard surfaces, 1" to 2" below the wear strip for gravel roads, etc.

6. After the disk shoe position is properly adjusted, place washers on the disk shoe stem - above the disk shoe mounting bracket, and below the retaining lynch pin - to remove all up and down movement of the disk shoe in the bracket. Failure to do this will result in excessive wear

of the holes in the disk shoe mounting bracket and will also result in bending the disk shoe stem and/or the retaining lynch pin

IMPORTANT: Snap lynch pin ring over so that it contacts the pin. If the ring does not contact the lynch pin, rotate the pin and reverse the direction of the ring. If the ring does not contact the lynch pin, the pin will not be positively retained and may fall out.

TORQUE SPECIFICATIONS

SAE Grade and Head Markings	1 or 2 No Marks 	5 5.1 5.2 	8 8.2 
SAE Grade and Nut Markings	2 No Marks 	5  	8  

	Grade 1		Grade 2		Grade 5, 5.1 or 5.2		Grade 8 or 8.2	
	Lubricated ^a	Dry ^b	Lubricated ^a	Dry ^b	Lubricated ^a	Dry ^b	Lubricated ^a	Dry ^b
SIZE	lb-ft	lb-ft	lb-ft	lb-ft	lb-ft	lb-ft	lb-ft	lb-ft
8-32			14*	19*	22*	30*	31*	42*
10-24			21*	27*	32*	43*	45*	60*
1/4	2.8	3.5	4.5	5.5	7	9	10	12.5
5/16	5.5	7	9	11	15	18	21	26
3/8	10	13	16	20	26	33	36	46
7/16	16	20	26	32	41	52	58	75
1/2	25	31	39	50	63	80	90	115
9/16	36	45	56	70	90	115	130	160
5/8	50	62	78	100	125	160	160	225
3/4	87	110	140	175	225	280	310	400
7/8	140	175	140	175	360	450	500	650
1	210	270	210	270	540	675	750	975

DO NOT use these values if a different torque value or tightening procedure is given for a specific application.

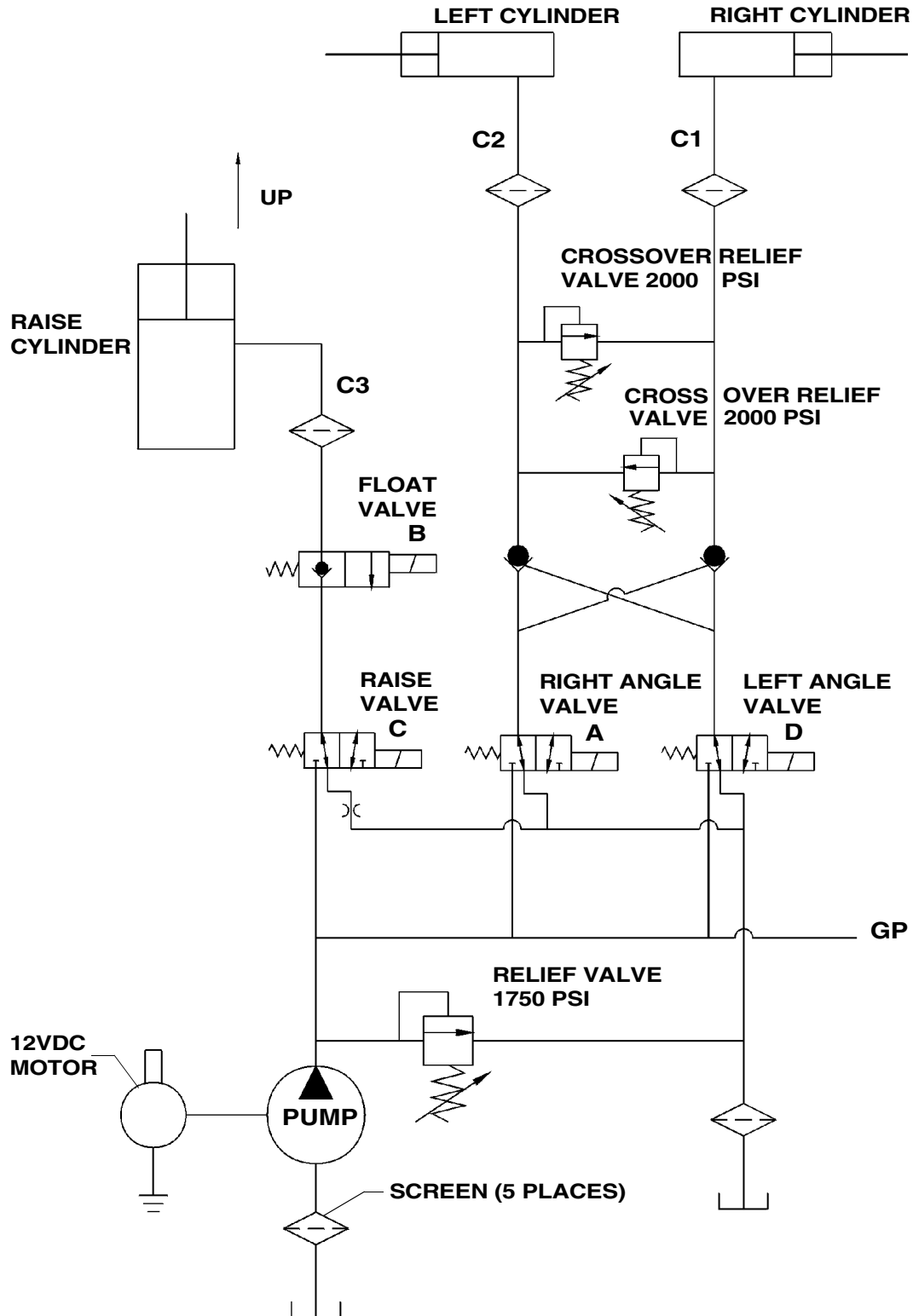
Fasteners should be replaced with the same or higher grade. If higher grade fasteners are used, these should only be tightened to the strength of the original.

^a "Lubricated" means coated with a lubricant such as engine oil, or fasteners with phosphate and oil coatings.

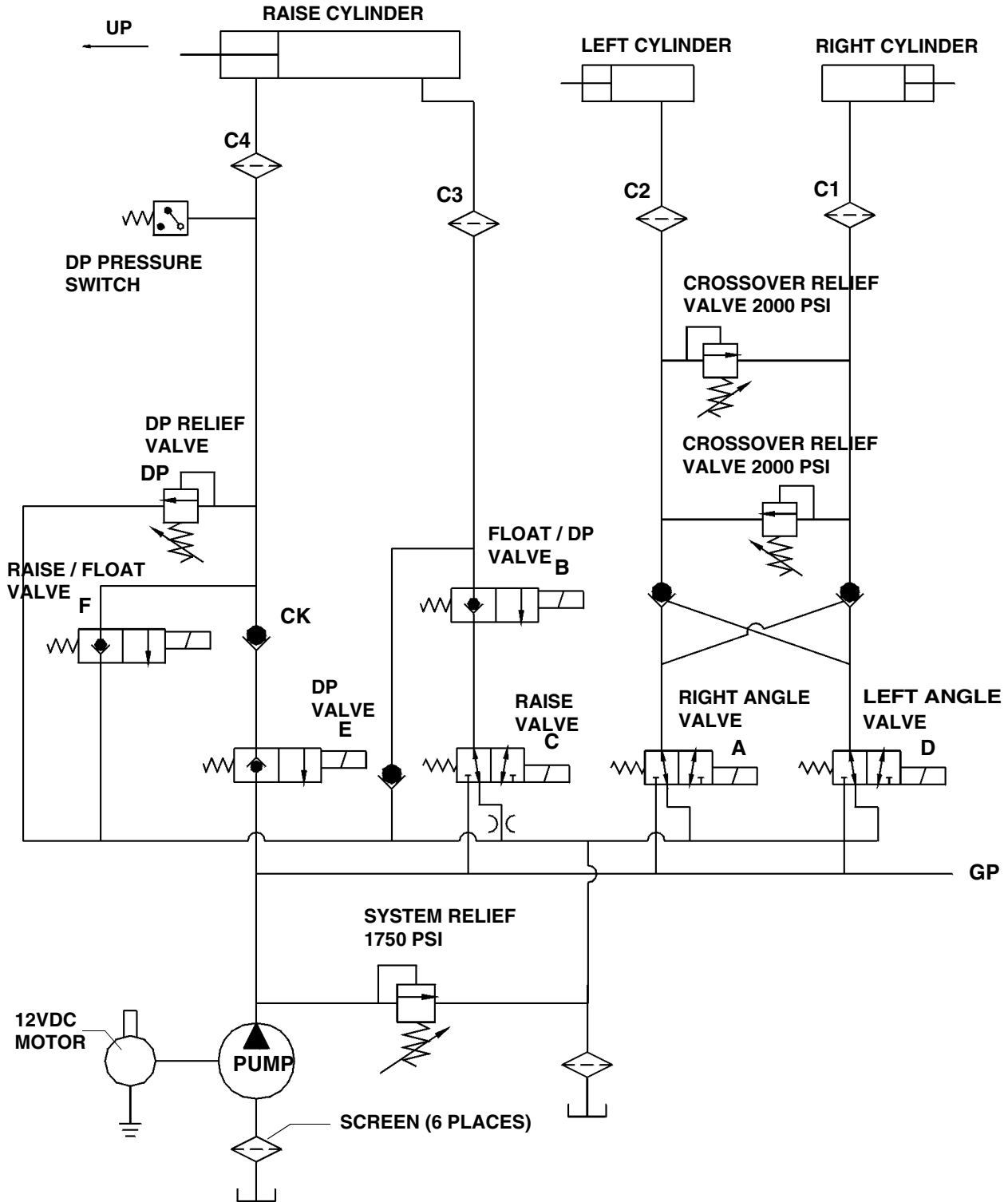
^b "Dry" means plain or zinc plated without any lubrication

* Values with asterisk are in lb-in.

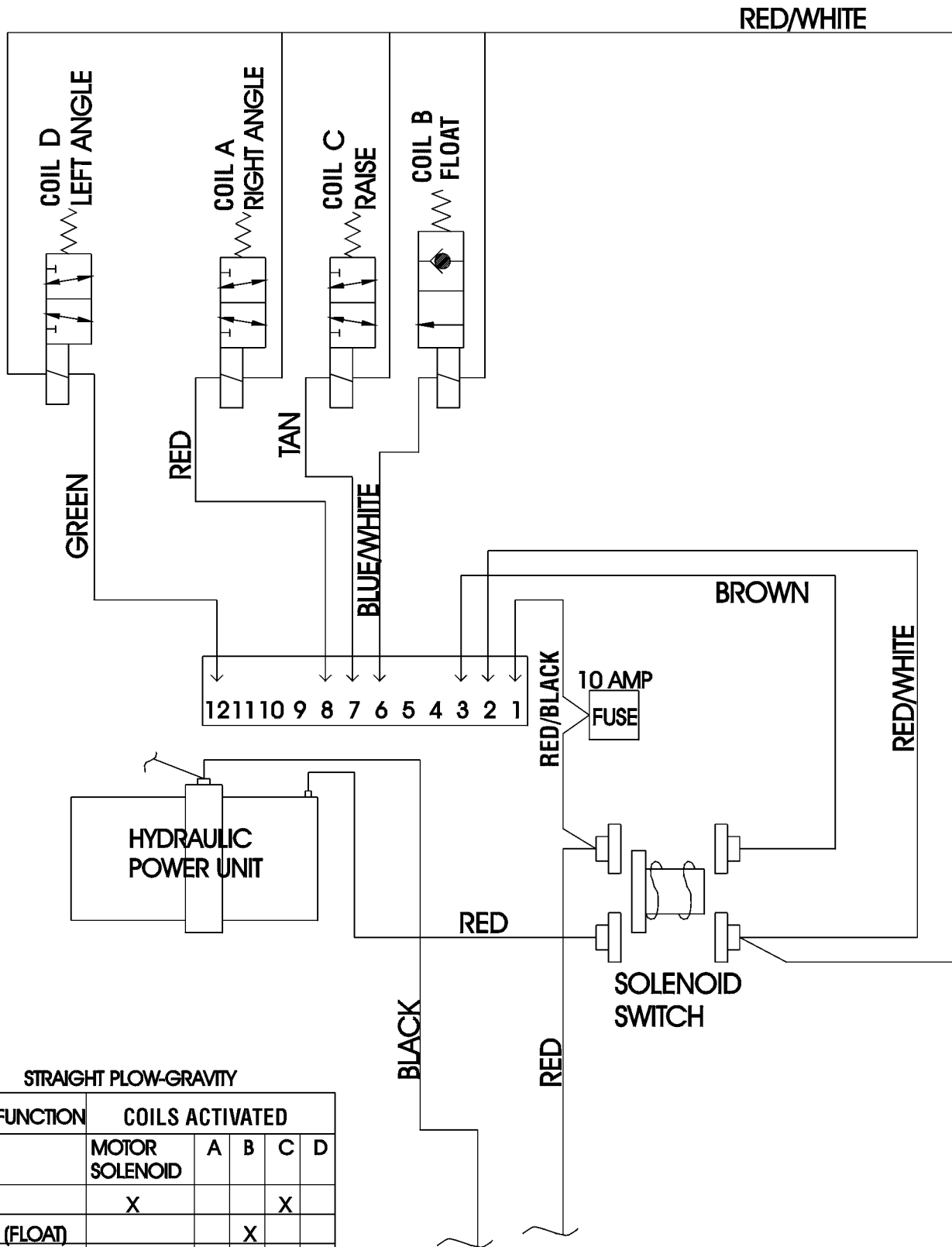
HYDRAULIC SCHEMATIC (Gravity Down System)



HYDRAULIC SCHEMATIC (Down Pressure System)



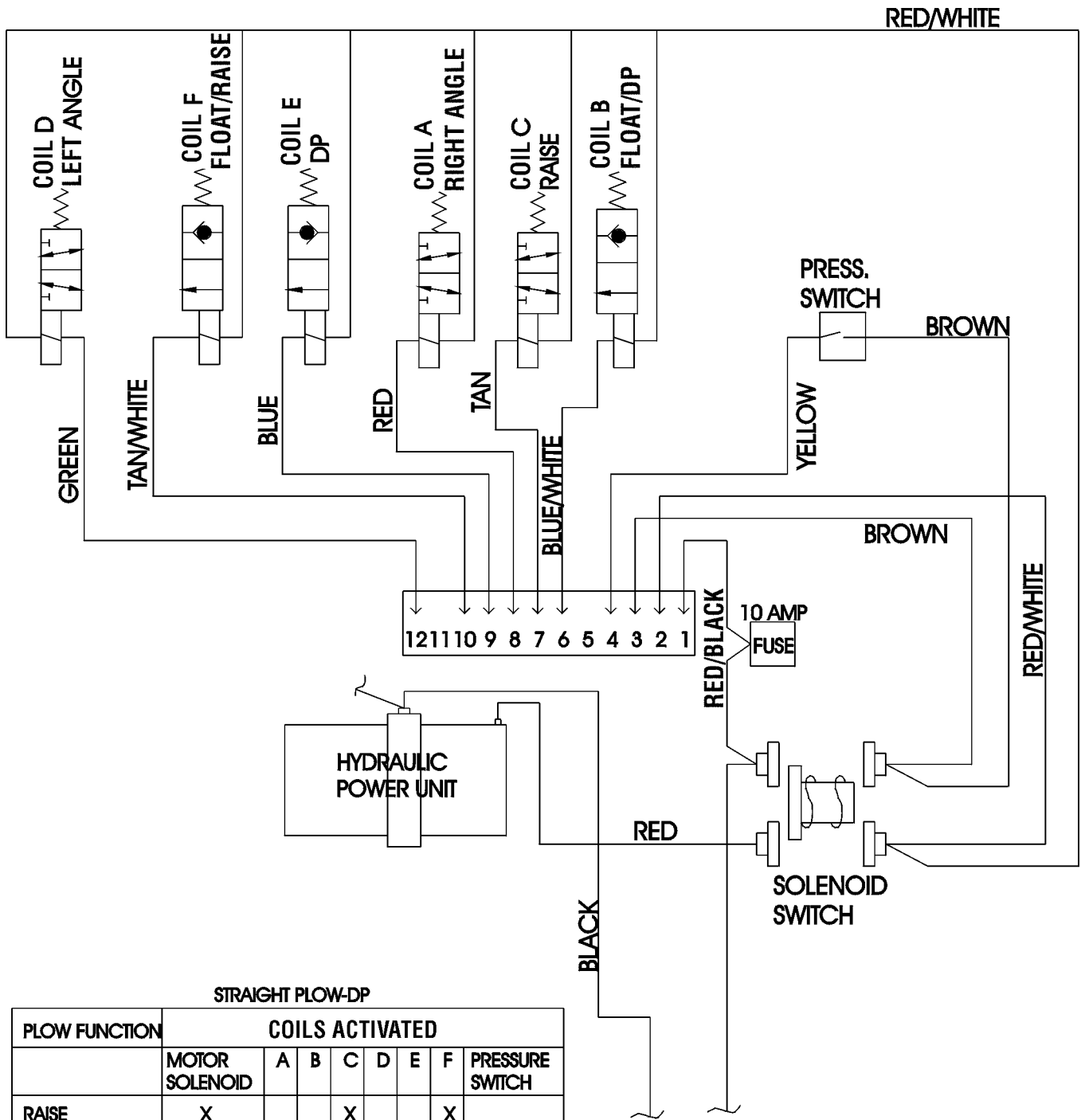
WIRING SCHEMATIC (Gravity Down System)



STRAIGHT FLOW-GRAVITY

FLOW FUNCTION	COILS ACTIVATED				
	MOTOR SOLENOID	A	B	C	D
RAISE	X			X	
DOWN (FLOAT)			X		
ANGLE LEFT	X				X
ANGLE RIGHT	X	X			

WIRING SCHEMATIC (Down Pressure System)



STRAIGHT FLOW-DP

FLOW FUNCTION	COILS ACTIVATED						PRESSURE SWITCH
	MOTOR SOLENOID	A	B	C	D	E	
RAISE	X			X			X
DOWN (FLOAT)			X				X
DOWN PRESSURE	X		X			X	X
ANGLE LEFT	X				X		
ANGLE RIGHT	X	X					

NOTE: COIL E MUST BE DEACTIVATED FOR ANGLE FUNCTIONS

DEALER PRE DELIVERY CHECKLIST

The following inspections **MUST** be accomplished prior to delivering the snow plow to the customer. Place an X in the box after accomplishing each item on the checklist.

CHECK THAT

- Parts have not been damaged in shipment. Repair or replace items that are loose, dented or missing.
- All covers, guards and decals are in place and attached securely.
- All pivot pins and cotters are installed and secure.
- Trip springs are adjusted.
- Shoe assemblies are installed and adjusted.
- Snow Plow head lamps are adjusted properly.
- Snow Plow head lamps are functional.
 - High Beam Low Beam Park Lamps
 - Left Turn Right Turn Head Lamp Beam Aimed Correctly
- Cylinder lock clamp is installed.

Start the vehicle engine and place an X in the box after accomplishing each item on the checklist.

CHECK THAT

- ALL** blade functions function properly.
- Cylinders, hoses and fittings **DO NOT** leak.
- Listen for abnormal noises or vibrations; Repair or replace as necessary.
- The oil level of the Power Unit is properly filled.

DELIVERY CHECKLIST

The following checklist is to be accomplished with the customer present, Place an X in the box after accomplishing each item on the checklist.

- After giving the Customer his Owners Manual, instruct him to read it **PRIOR** to operating the snow plow. If he has any questions or does not understand part(s) of the Manual, ask him to contact the Dealer for answers or explanations **BEFORE** operating the unit.
- Record the Serial Numbers, Date of Purchase, Purchaser's Name and Address, and the Dealers Name, Address and Phone Number in the space provided on Page 1 of the Owner's Manual.
- Explain mounting and removal procedures.
- Explain and demonstrate plow controller operation.
- Demonstrate cylinder lock clamp installation.
- Demonstrate Down Pressure hydraulic system function and operation. (If unit is so equipped)
- Fill out Warranty Registration Card and mail COPY 1 to the factory to validate Warranty. NO Warranty claims can be honored if the Warranty Card is not on file at the factory.**

SNO-WAY® INTERNATIONAL, INC.



Hartford, WI 53027 USA
Website: www.snoway.com
©2003 Sno-Way® International