

# **SNO-WAY**®

***SNOW & ICE CONTROL EQUIPMENT***

## **SERVICE PARTS MANUAL**

### **HTV SERIES SNOW PLOW**

FOR SERIAL NUMBERS AFTER HTV200000

Sno-Way®, Down Pressure® and EIS® are registered trademarks of Sno-Way International, Inc.  
ProControl™, MegaBlade™, V-Wing™, E-Z Switch™, Revolution™, MaxAdjust™, SpeedLock™, and QuickJack™  
are trademarks of Sno-Way International, Inc.

©2011 Sno-Way® International

97100742F

# TABLE OF CONTENTS

	Page
DEFLECTORS .....	2
POWER PACK FRAME .....	3
BLADES .....	5
HYDRAULIC SYSTEM - DP .....	7
HYDRAULIC SYSTEM - GRAVITY .....	8
HYDRAULIC POWER UNIT - DP AND GRAVITY .....	9
HYDRAULIC POWER UNIT - DP (MANIFOLD ASSEMBLY) .....	11
HYDRAULIC POWER UNIT - GRAVITY (MANIFOLD ASSEMBLY) .....	13
POWER PACK WIRING .....	15
CONTROL SYSTEM WIRING .....	16
NUMERICAL INDEX .....	17

## PARTS LIST INTRODUCTION

Our dealership network stands by to provide you with any assistance you may require, including genuine Sno-Way service parts. All parts should be obtained from or ordered through your dealer. Give complete information about the part as well as the Model Number and Serial Number of your machine.

Record the Serial Number in the space provided in your Owner's Manual for quick reference. The Serial Number for the unit is on a plate located on the left frame gusset of the Hopper Frame.

"Right" and "Left" are determined from a position sitting on the Operators Seat of the vehicle.

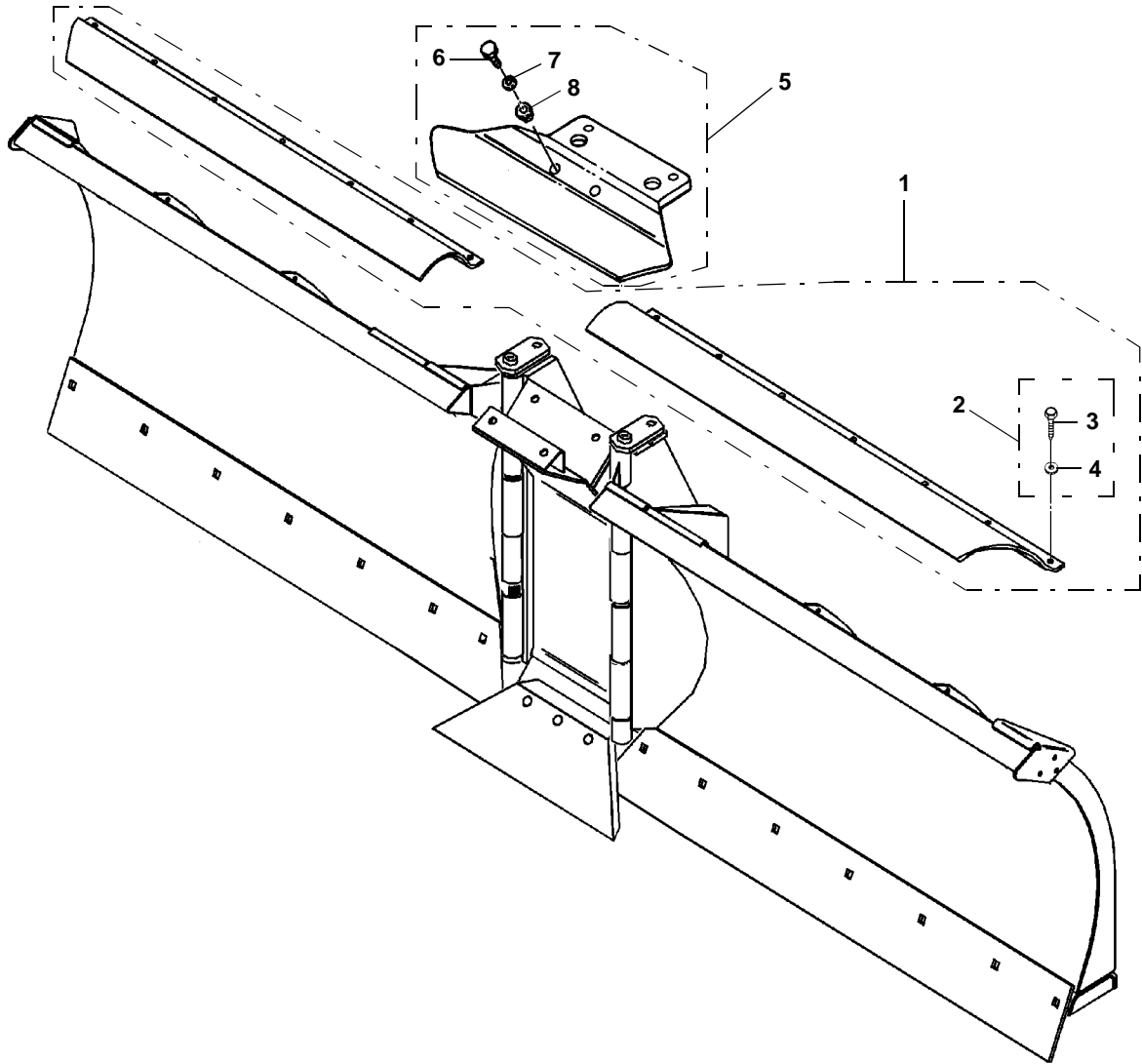
We reserve the right to make changes or improvements in the design or construction of any part without incurring the obligation to install such changes in any unit previously delivered.

## USING THIS PARTS LIST

Below is parts listing with four columns. The first column is the "ITEM", the second is the "PART NUMBER", The third is the "DESCRIPTION" and the fourth is the "QUANTITY".

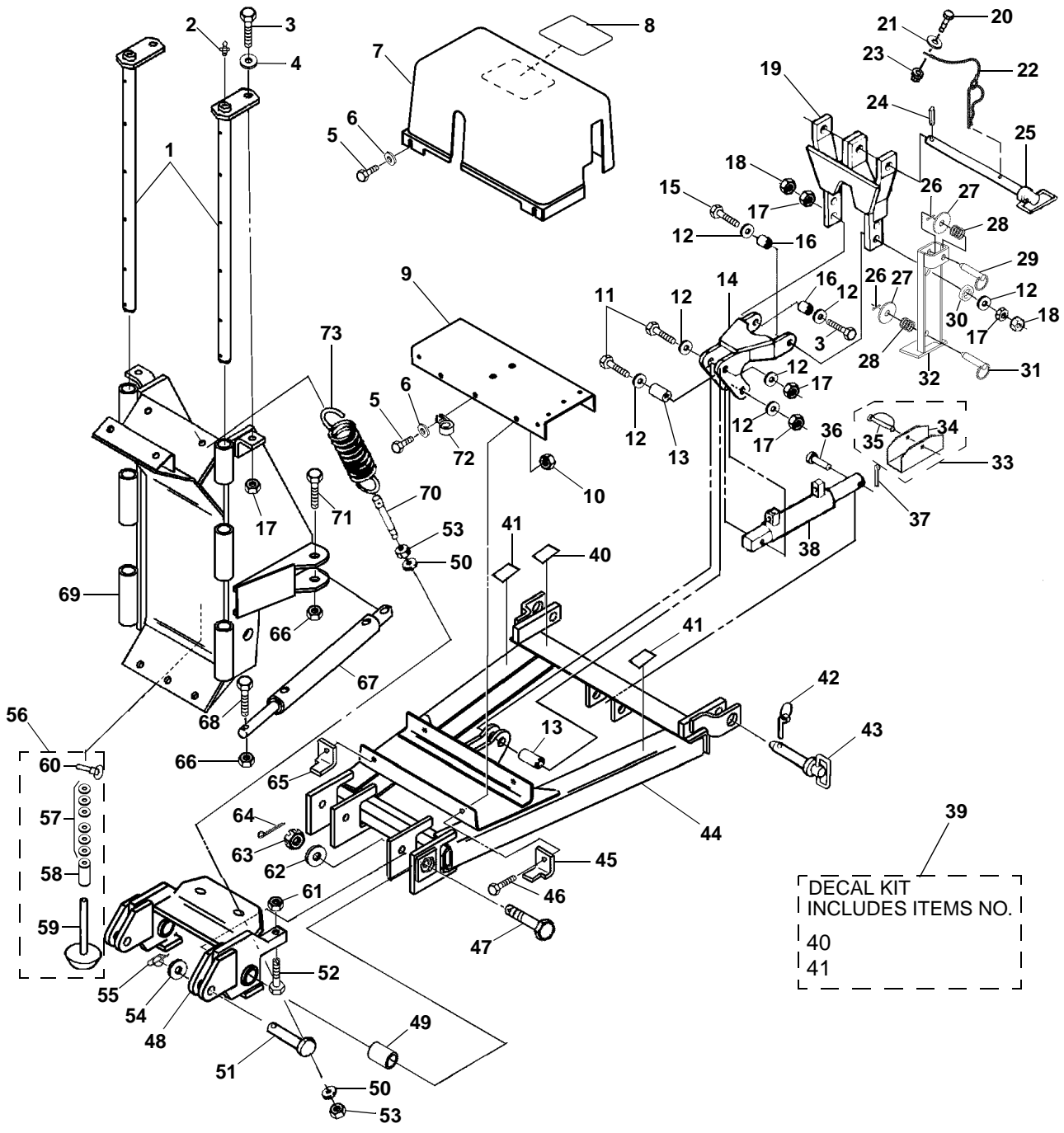
ITEM	PART NO.	DESCRIPTION	QTY.
196100083	O-ring		1
296001529	Elbow		3
398100036	Capscrew, Hex.,3/8"-16NC x 7/8"9		

# DEFLECTORS



ITEM	PART NO.	DESCRIPTION	QTY
1	96102605	Wing Deflector Kit (99" Plow)(Includes Mtg. Hdwr.).....	1
	96102606	Wing Deflector Kit(109" Plow)(Includes Mtg. Hdwr.).....	1
2	96102482	HARDWARE KIT (Wing Deflectors).....	1
3	98019176	Screw, Self Tapping, 5/16" x 1" .....	14
4	98019230	Washer, Plain, 5/16" .....	14
5	96102604	Deflector, Center, (Includes Mtg. Hdwr.) .....	1
6	98100167	Cap Screw, Hex, 5/16"-18NC x 2" .....	2
7	98019230	Washer, Plain 5/16" .....	2
8	96102938	Spacer .....	2

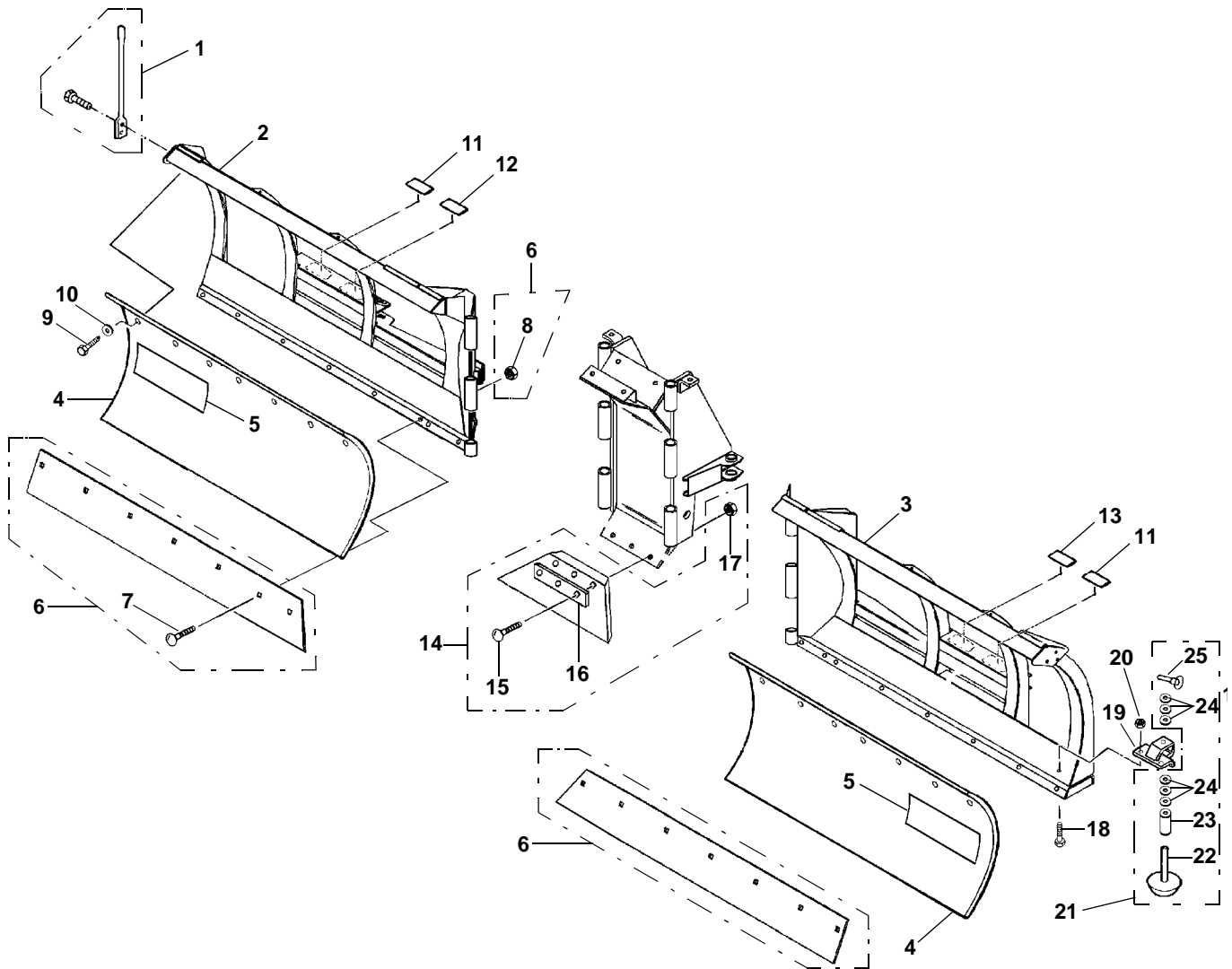
# POWER PACK FRAME



# POWER PACK FRAME

ITEM	PART NO.	DESCRIPTION	QTY
1	96101833	Pin, Pivot .....	2
2	98100098	Zerk, 1/8"NPT.....	2
3	98100010	Cap Screw, Hex, 1/2"-13 NC x 2" .....	3
4	98009011	Washer, Flat, 1/2" .....	2
5	98019176	Screw, Flanged Head, Self-Tapping, Black, 5/16" x 1" .....	3
6	98019230	Washer, Plain, 5/16", Black .....	3
7	96105007	Cover, Pump, DP .....	1
	96106743	Cover, Pump, Gravity.....	1
8	97100751	Decal, V-Plow System .....	1
9	96105330	Platform, Pump.....	1
10	98009009	Nut, Nylock, 3/8"-16 NC .....	4
11	98009036	Cap Screw, Hex, 1/2"-13 NC x 3-1/2" .....	2
12	98100176	Washer, Special, Hardened.....	7
13	96102227	Spacer, Bellcrank .....	2
14	96102927	Bellcrank.....	1
15	98100062	Cap Screw, Hex, 1/2"-13 NC x 2-1/4" .....	1
16	96102271	Spacer, Lift Link.....	2
17	98009013	Nut, Nylock, 1/2"-13 NC .....	6
18	98100172	Nut, Hex, Jam, 1/2"-13 NC .....	2
19	96105461	Link, Lift .....	1
20	98019027	Cap Screw, Hex, 1/4"-20 NC x 1" .....	1
21	98100254	Washer, Flat, 1/4" .....	1
22	96105044	Lanyard & Pin Ass'y.....	1
23	98100255	Nut, Hex, Nylock, 1/4"-20 NC .....	1
24	98100008	Roll Pin .....	1
25	96104713	Long Hitch Pin.....	1
26	98100105	Pin, Cotter, 1/8" x 1" .....	2
27	98100104	Washer, 3/8" .....	2
28	96102130	Spring, Latch .....	2
29	96103519	Pin, Latch .....	1
30	96102168	Spacer, Stand.....	1
31	96102131	Pin, Latch .....	1
32	96103524	Ass'y, Jackstand .....	1
33	96105278	Ass'y, Cylinder Lock Clamp, 1-1/2" (DP) .....	1
	96105279	Ass'y, Cylinder Lock Clamp, 2" (GRAVITY) .....	1
34		Cylinder Lock Clamp .....	1
35		Pin, Wire Lock .....	1
36	98100007	Pin, Clevis, 3/4" x 4" .....	1
37	98009085	Pin, Cotter, 5/32" x 1-1/2" .....	1
38	96100085	Cylinder, Raise, DP .....	1
39	96106869	Cylinder, Raise, Gravity .....	1
40	96102370	DECAL KIT .....	1
41	97100005	Decal, Patent.....	1
42	97100004	Decal, Important.....	2
43	98009169	Pin, Lynch, 1/4" x 1-9/16" .....	2
44	96105046	Pin, Hitch, 3/4" x 2-1/2" .....	2
45	96105074	Frame, Main .....	1
46	96102916	Plate, Wear, L.H. ....	1
47	98009034	Cap Screw, Hex, 3/8"-16 NC x 1-1/4" .....	4
48	98100169	Screw, Special Pivot .....	2
49	96103000	Frame, Pivot, With Bushings .....	1
50	96102832	Bushing .....	2
51	98009039	Washer, Flat, 5/8" .....	4
52	98100165	Pin, Clevis, 3/4" x 2-1/2" .....	2
53	98100164	Screw, Special.....	2
54	98009078	Nut, 5/8"-11 NC .....	4
55	98009030	Washer, Flat, 3/4" .....	2
56	98100099	Pin, Special .....	2
57	96102542	Shoe Assembly .....	1
58	98009005	Washer, Flat, 1" .....	14
59		Spacer, 1" .....	1
60		Shoe, Cast, 1" Shaft.....	1
61	98009169	Pin, Lynch, 1/4" x 1-9/16" .....	1
62	98100157	Nut, Hex, Jam, 5/8"-11 NC .....	2
63	98100170	Washer, Special.....	2
64	98009068	Nut, Slotted, 1"-14 NC .....	2
65	98009069	Pin, Cotter, 5/32" x 2" .....	2
66	96102915	Plate, Wear, R.H. ....	1
67	98009038	Nut, Nylock, 5/8"-11 NC .....	4
68	96101977	Cylinder, Angle .....	2
69	98009194	Cap Screw, Hex, 5/8"-11 NC x 4" .....	2
70	96105260	Frame, Blade Center .....	1
71	96102781	Eyebolt .....	2
72	98009042	Cap Screw, Hex, 5/8"-11 x 3-1/2" .....	2
73	96001531	Clamp, Tube .....	1
74	96001392	Spring, Trip .....	2

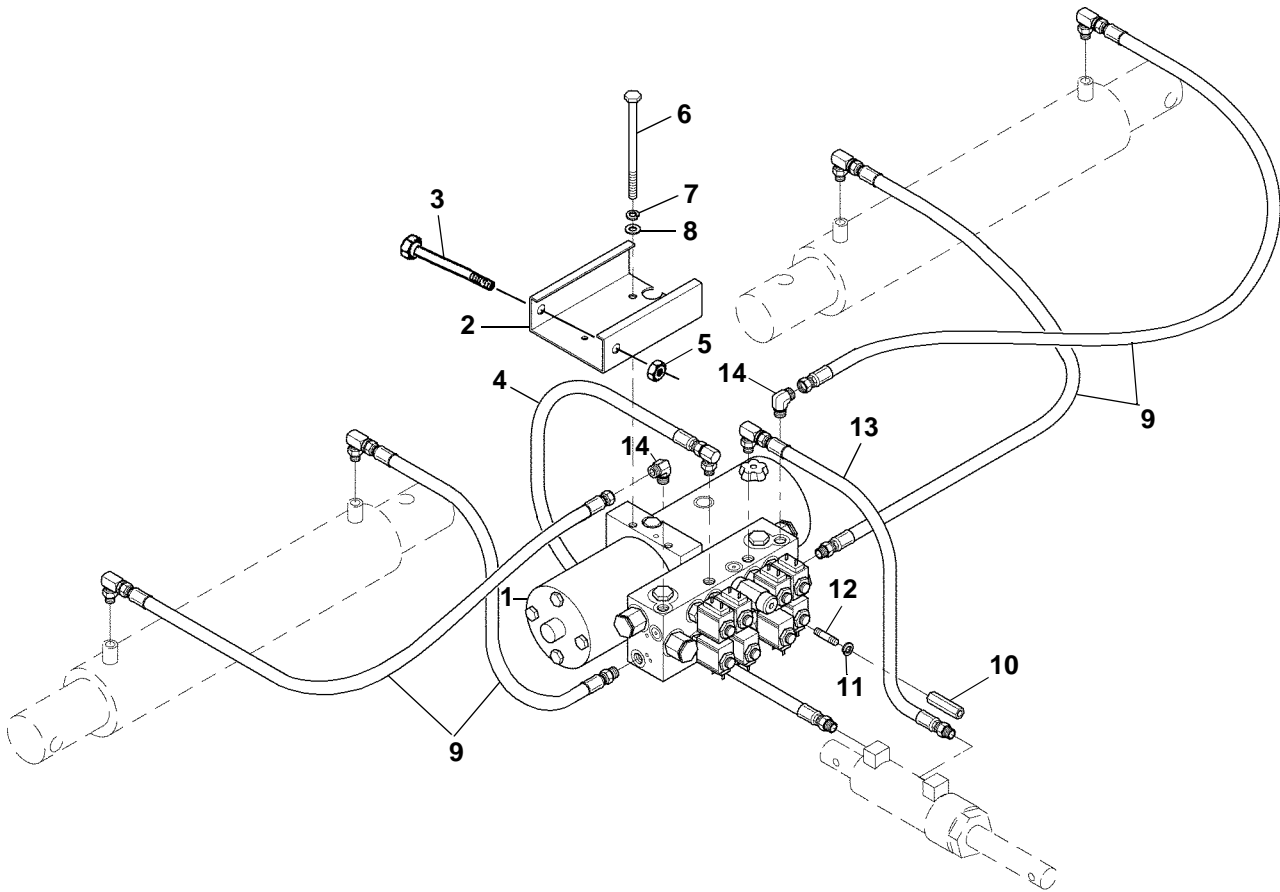
# BLADES



# BLADES

ITEM	PART NO.	DESCRIPTION	QTY
1	96006002	Kit, Guide, Blade (Includes 2 Guides And Mtg. Hdwr.)	1
2		Frame, 99", RH	1
		Frame, 109", RH	1
3		Frame, 99", LH	1
		Frame, 109", LH	1
4	96107342	Kit, Skin, Steel, 8'3" (Bolt On Style) w/ Decal	2
	96107343	Kit, Skin, Steel, 9'1" (Bolt On Style) w/ Decal	2
	96107344	Kit, Skin, SS, 8'3" (Bolt On Style) w/ Decal	2
	96107345	Kit, Skin, SS, 9'1" (Bolt On Style) w/ Decal	2
	96106108	Kit, Lexan Skin, V, 8'3" w/ HDE	1
	96106109	Kit, Lexan Skin, V, 8'3" w/o HDE	2
	96106110	Kit, Lexan Skin, V, 9'1" w/ HDE	1
	96106111	Kit, Lexan Skin, V, 9'1" 2/o HDE	2
5	97100911	Decal, Sno-Way, Steel	2
	97100912	Decal, Sno-Way, Lexan	2
6	96103891	Wearstrip Kit, Steel, 99" (Includes Mtg. Hdwr.)	2
	96103892	Wearstrip Kit, Steel, 109" (Includes Mtg. Hdwr.)	2
	NOTE: Each Wearstrip Kit will replace Wearstrip on one Wing only. To replace Wearstrips on both Wings, two Kits are required.		
7	98100171	Bolt, Carriage, Gr. 5, 1/2"-13 NC x 1-3/4"	16
8	98009013	Nut, Nylock, 1/2" - 13 NC	16
9	98019176	Screw, Self Tapping	10
10	98019230	Washer, Flat, 5/16"	10
11	97100018	Decal, Warning	2
12	97100006	Decal, Important	1
13	97100001	Decal, Warning	1
14	96106033	Wearstrip Kit, Center, Urethane (includes Mtg. Hdwr.)	1
15	98009151	Bolt, Carriage, Gr. 5, 7/16"-14 NC x 2"	3
16		Strip, Mounting	1
17	98009050	Nut, Nylock 7/16"-14 NC	3
18	98009034	Cap Screw, Hex., 3/8"-16 NC x 1-1/4"	8
19	96101401	Bracket, Shoe	2
20	98009009	Nut, Nylock, 3/8"-16 NC	8
21	96102542	SHOE ASSEMBLY	2
22		Shoe, Cast, 1" Shaft	1
23		Spacer, 1"	1
24		Washer, Flat, 1"	14
25		Pin, Lynch, 1/4" x 1-9/16"	1

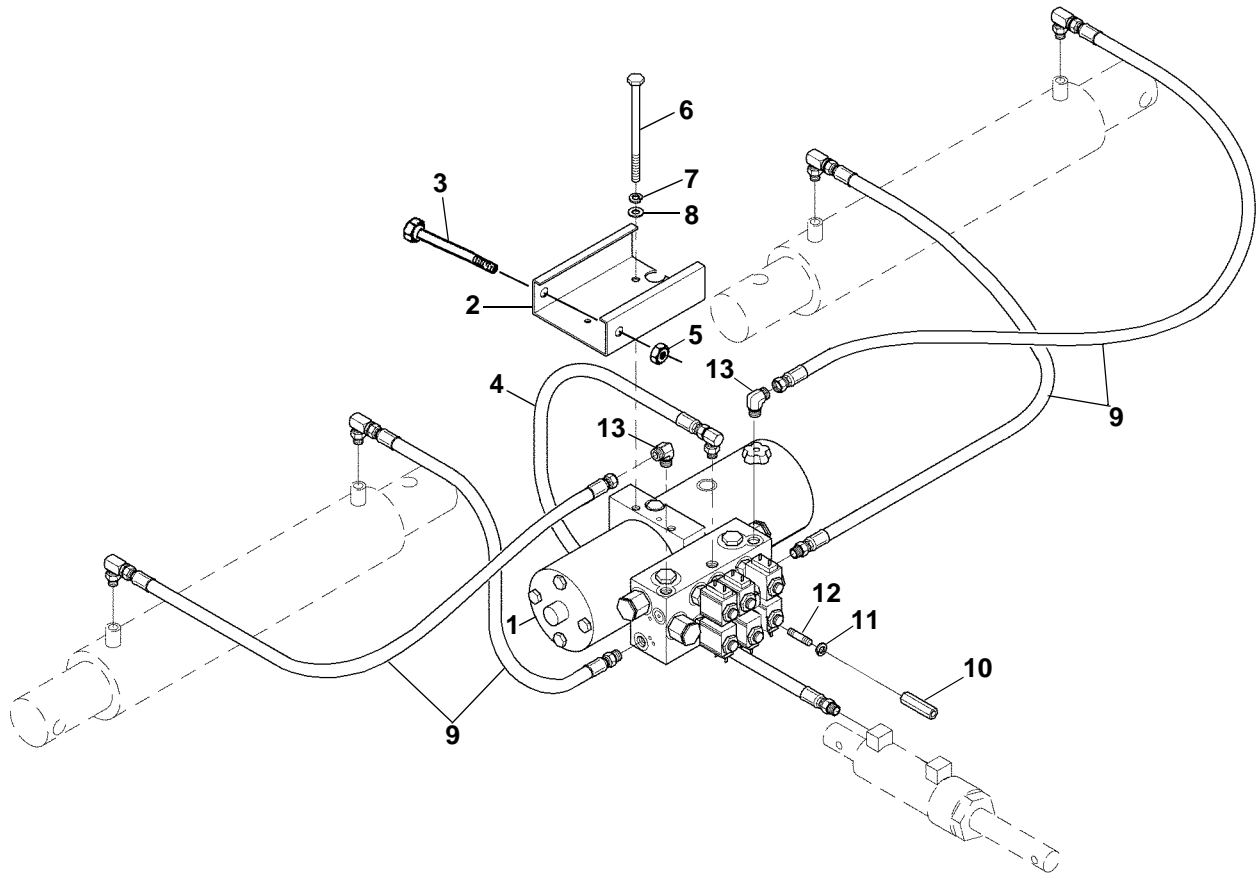
# HYDRAULIC SYSTEM - DP



ITEM	PART NO.	DESCRIPTION	QTY
1	96104161	Power Unit, HTV .....	1
2	96105321	Bracket, Controls .....	1
3	98100266	Hex Head Cap Screw, 1/4"-20 x 5" .....	1
4	96104243	Hose, Hydraulic, 29.50 .....	1
5	98100255	Nut, Nylock, 1/4"-20 .....	1
6	98100276	Hex Head Cap Screw, 3/8"-16 x 6" .....	2
7	98009008	Lock Washer, 3/8" .....	2
8	98009032	Flat Washer, 3/8" .....	2
9	96104247	Hose, Hydraulic, 28.50 .....	4
10	98100278	Standoff, Hex, 5/16"-18 x 2" .....	2
11	98009025	Lock Washer, 5/16" .....	2
12	98100277	Stud, 5/16"-18 x .....	2
13	96104503	Hose, Hydraulic, 15.50 .....	1
14	96100001	Elbow, 90 DEG .....	2



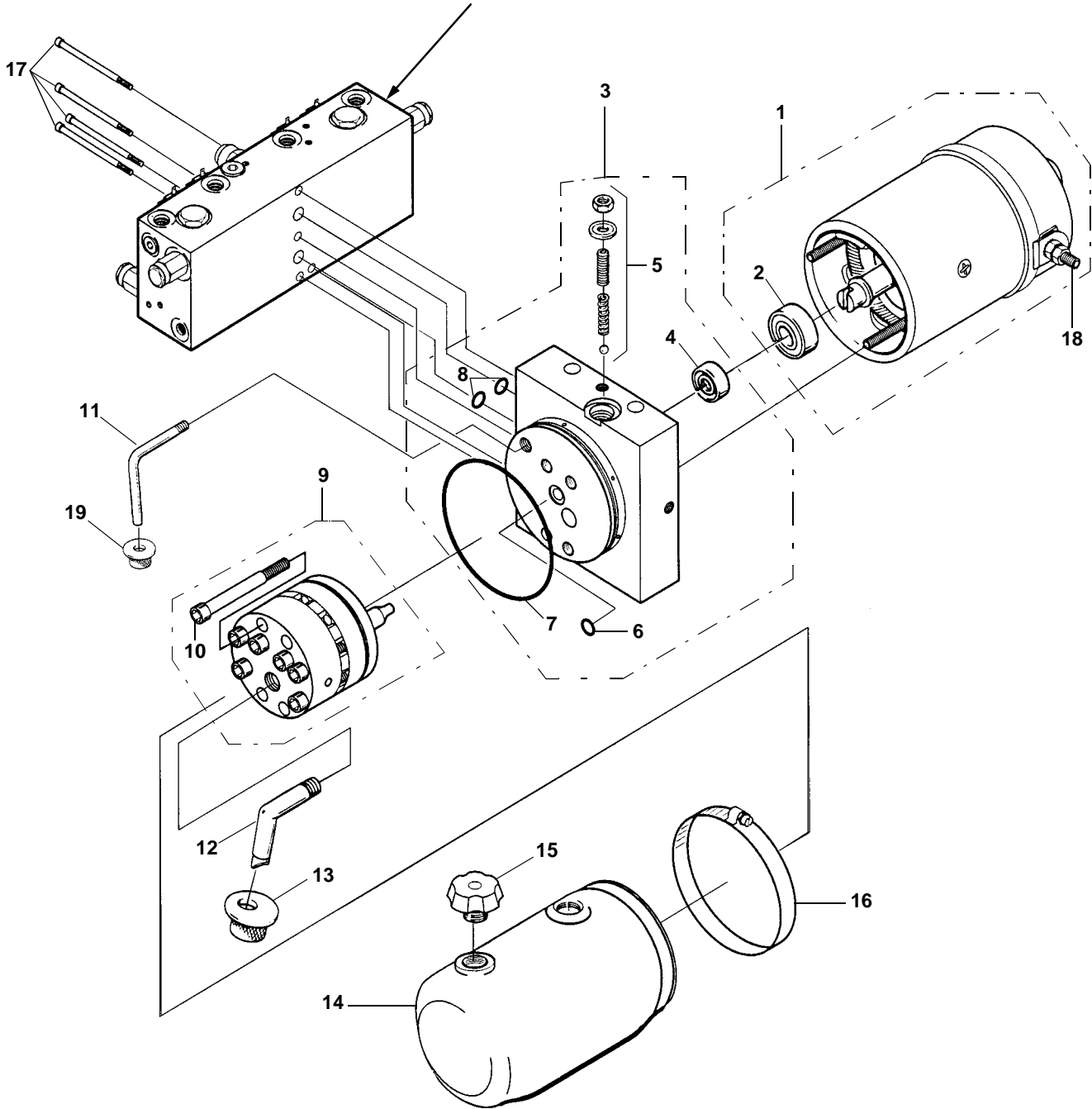
# HYDRAULIC SYSTEM - GRAVITY



ITEM	PART NO.	DESCRIPTION	QTY
1	96106723	Power Unit, HTVG, .....	1
2	96105321	Bracket, Controls.....	1
3	98100266	Hex Head Cap Screw, 1/4"-20 x 5" .....	1
4	96104243	Hose, Hydraulic, 29.50 .....	1
5	98100255	Nut, Nylock, 1/4"-20 .....	1
6	98100276	Hex Head Cap Screw, 3/8"-16 x 6" .....	2
7	98009008	Lock Washer, 3/8" .....	2
8	98009032	Flat Washer, 3/8" .....	2
9	96104247	Hose, Hydraulic, 28.50 .....	4
10	98100278	Standoff, Hex, 5/16"-18 x 2" .....	2
11	98009025	Lock Washer, 5/16" .....	2
12	98100277	Stud, 5/16"-18 x .....	2
13	96100001	Elbow, 90 DEG .....	2

# HYDRAULIC POWER UNIT - DP AND GRAVITY

(SEE P. 11 (DP) and 13 (GRAVITY)  
FOR VALVE DETAIL)

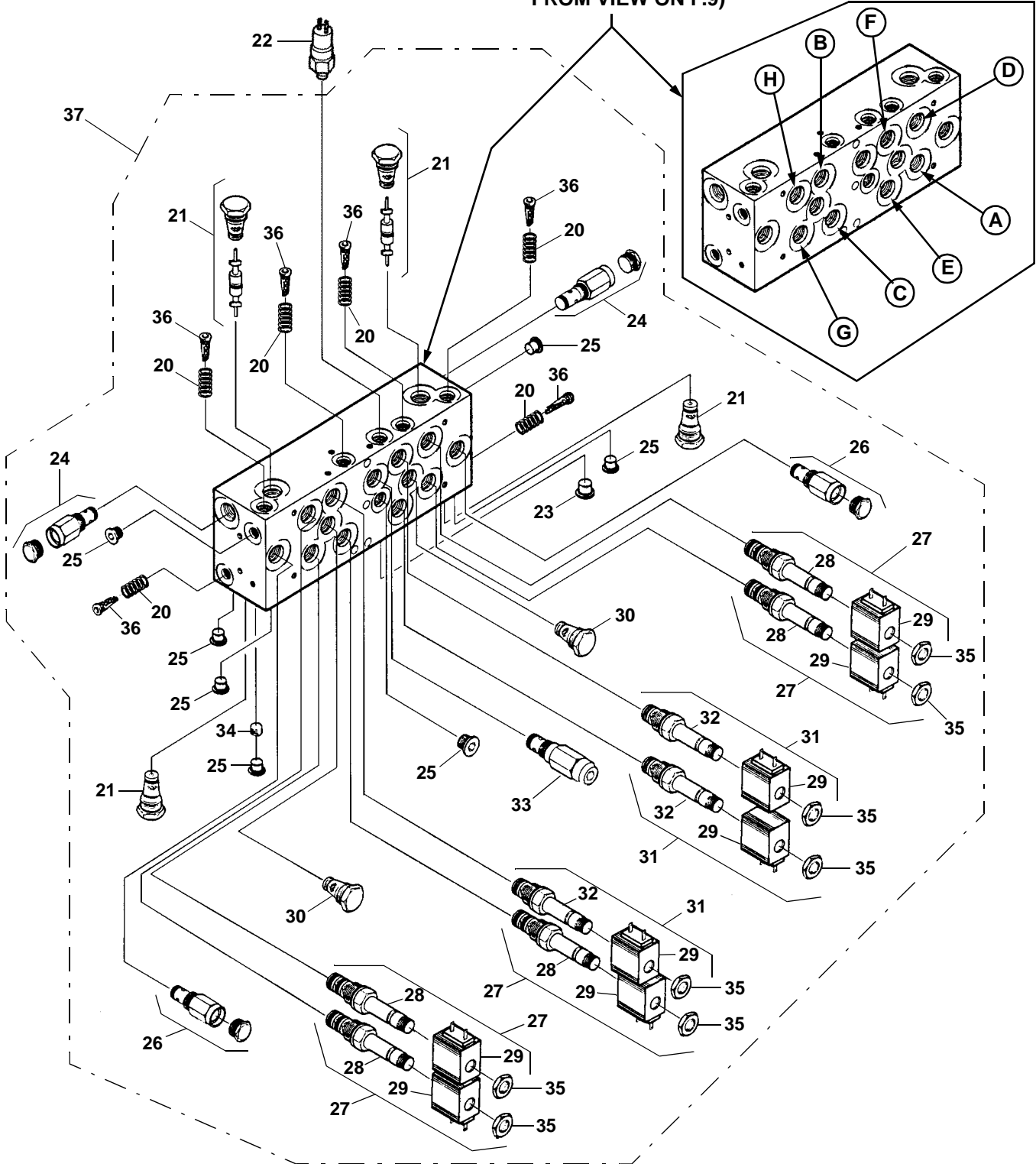


# HYDRAULIC POWER UNIT - DP AND GRAVITY

ITEM	PART NO.	DESCRIPTION	QTY
1	96105233	Motor, 12V DC.....	1
2		Bearing, Motor Base .....	1
3	96105734	Base Ass'y. ....	1
4	96105317	Seal, Shaft, Heavy Duty .....	1
5	96105313	Parts Kit, Relief Valve .....	1
6	96105316	O-Ring .....	1
7	96105315	O-Ring .....	1
8	96105314	O-Ring .....	1
9	96105735	Pump Ass'y., Modular.....	1
10	96105736	Screw, Socket Head 1/4"-20 x 3".....	4
11	96105249	Tube, R.V. Return .....	1
12	96105737	Tube, Suction.....	1
13	96105245	Filter, Suction .....	1
14	96105241	Reservoir.....	1
15	96105244	Filler Cap.....	1
16	96105231	Clamp .....	1
17	96105237	Screw, Socket Head 1/4"-20 x 2-3/4" .....	4
18	96105312	Brush Replacement Kit, HT.....	1
19	96105318	Filter, Return.....	1

# HYDRAULIC POWER UNIT - DP (MANIFOLD ASSEMBLY)

(VALVE ROTATED 180°  
FROM VIEW ON P.9)

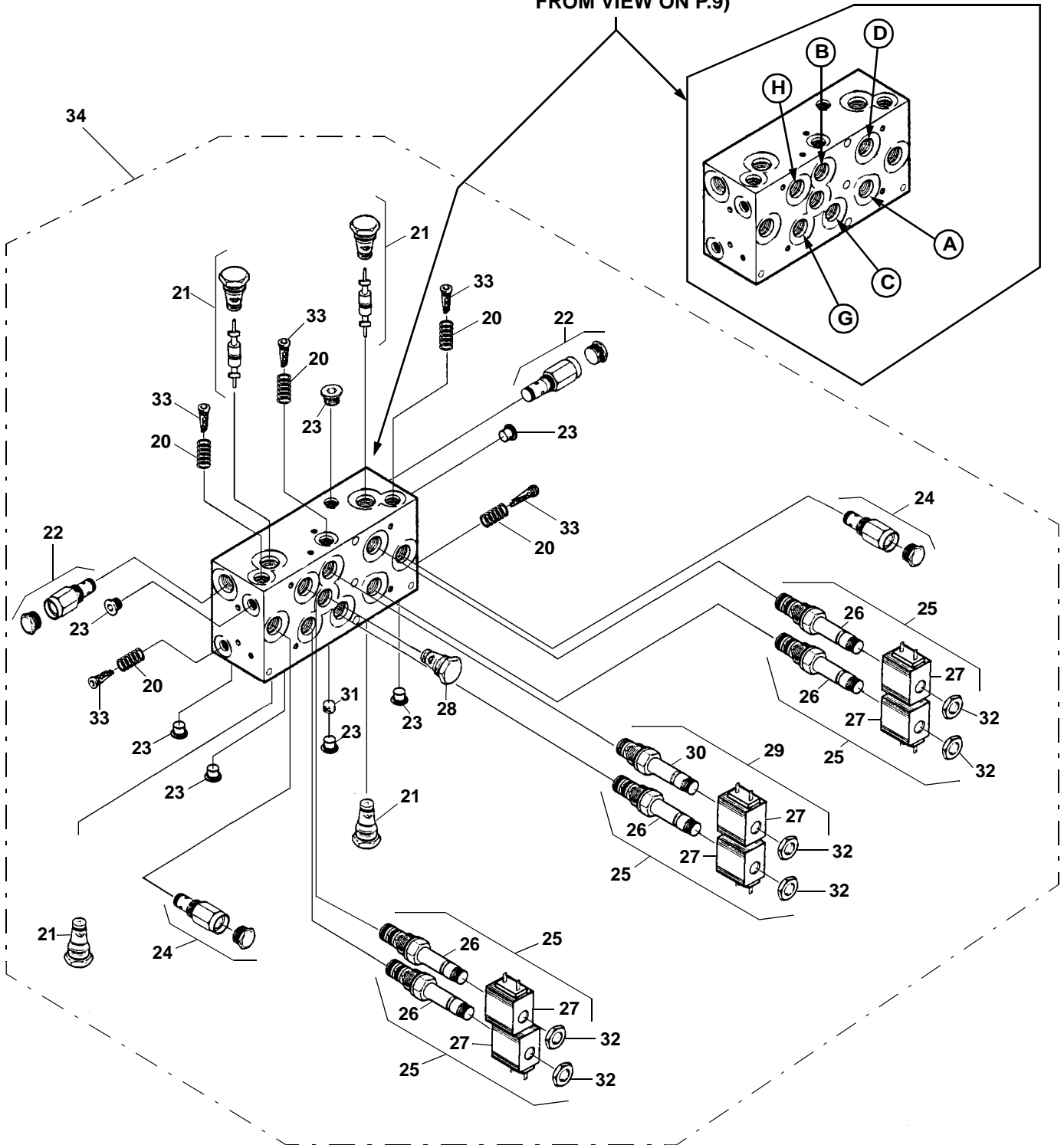


## HYDRAULIC POWER UNIT - DP (MANIFOLD ASSEMBLY)

ITEM	PART NO.	DESCRIPTION	QTY
20	96105251	Spring, Retaining.....	6
21	96106273	Valve, Check and Piston Assy. ....	2
22	96102416	Switch, Pressure, 525 PSI .....	1
23	96105240	Fitting, Plug .....	1
24	96105732	Valve, Relief, 2150 PSI.....	2
25	96105234	Fitting, Plug .....	7
26	96105731	Valve, Relief, 1750 PSI.....	2
27	96108341	Valve, 12V DC .....	5
28		Use 96108341 (no longer available) .....	
29	96105274	Coil, 10V DC .....	8
30	96105238	Valve, Check.....	2
31	96108342	Valve, 12V DC .....	3
32		Use 96108342 (no longer available) .....	
33	96105239	Valve, Relief, 680-720 PSI.....	1
34	96105733	Fitting, Orifice .....	1
	96106006	Kit, Orifice Fitting.....	1
35	96105275	Nut, Coil Retaining .....	8
36	96105250	Filter, Inline.....	6
37		Valve Ass'y., 12V DC.....	1

# HYDRAULIC POWER UNIT - GRAVITY (MANIFOLD ASSEMBLY)

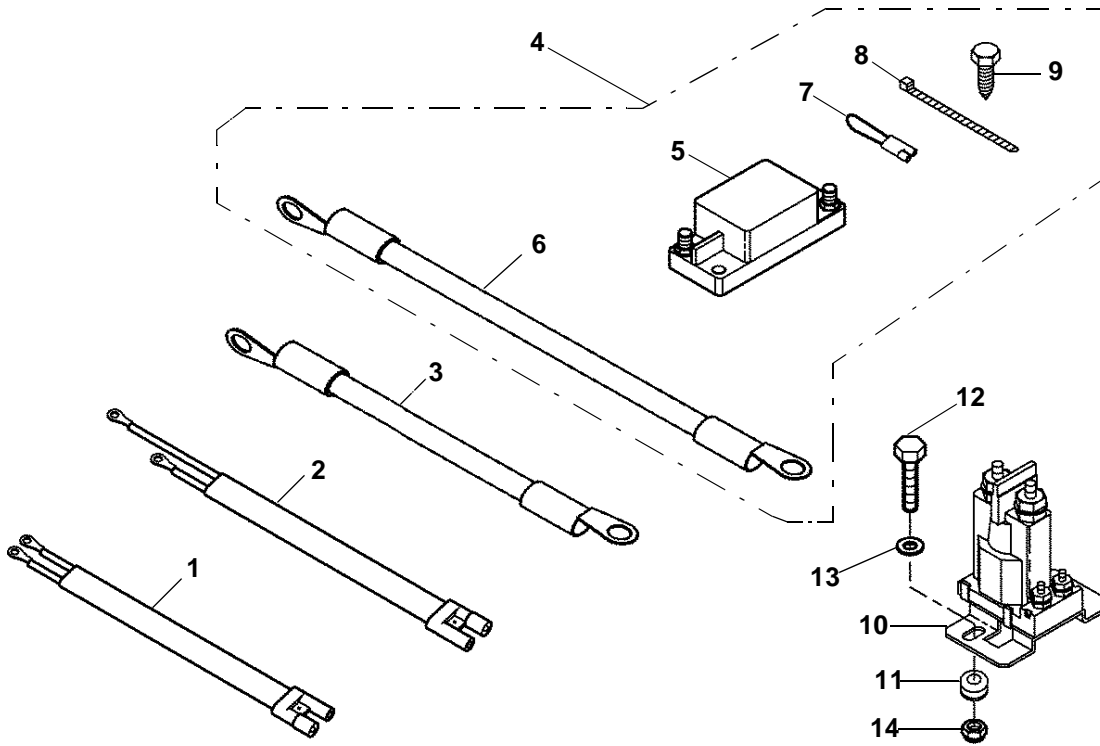
(VALVE ROTATED 180°  
FROM VIEW ON P.9)



## HYDRAULIC POWER UNIT - GRAVITY (MANIFOLD ASSEMBLY)

ITEM	PART NO.	DESCRIPTION	QTY
20	96105251	Spring, Retaining.....	6
21	96106273	Valve, Check and Piston Assy. ....	2
22	96105732	Valve, Relief, 2150 PSI.....	2
23	96105234	Fitting, Plug .....	6
24	96105731	Valve, Relief, 1750 PSI.....	2
25	96108341	Valve, 12V DC .....	5
26		Use 96108341 (no longer available) .....	
27	96105274	Coil, 10V DC .....	6
28	96105238	Valve, Check.....	1
29	96108342	Valve, 12V DC .....	3
30		Use 96108342 (no longer available) .....	
31	96105733	Fitting, Orifice .....	1
	96106006	Kit, Orifice Fitting.....	1
32	96105275	Nut, Coil Retaining .....	6
33	96105250	Filter, Inline.....	5
34		Valve Ass'y., 12V DC.....	1

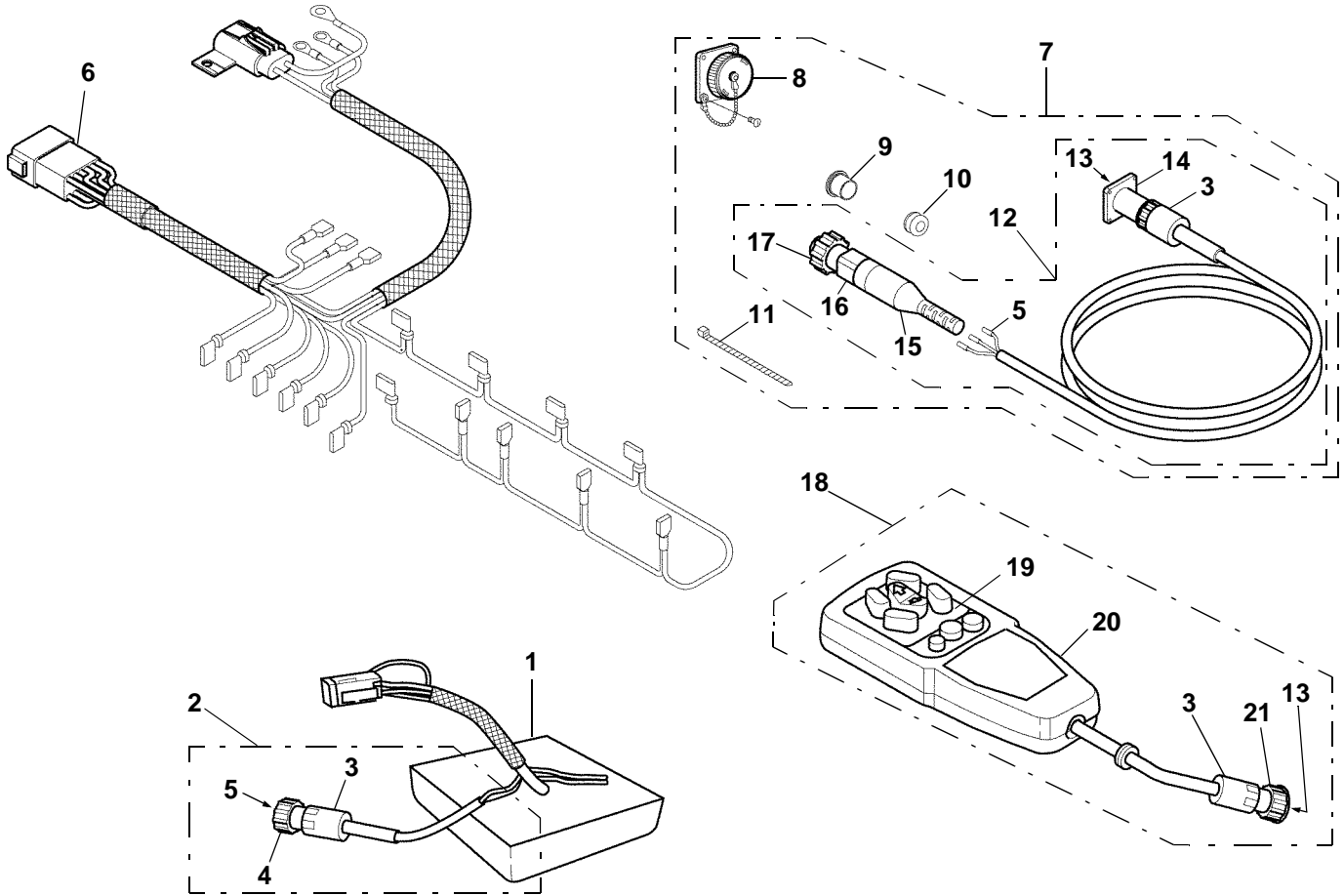
# POWER PACK WIRING



ITEM	PART NO.	DESCRIPTION	QTY
1	96104221	Harness, Battery Power.....	1
2	96104230	Harness, Plow Power.....	1
3	96105273	Harness, Solenoid - HT Series.....	1
4	96105167	Bag Power Harness Parts.....	1
5	96101210	Breaker, Circuit, 150A.....	1
6	96102891	Cable, Power.....	1
7	96105082	Cap, Protective.....	2
8	96001227	Strap, Tie Plastic.....	2
9	98100037	Screw, Self Tapping, #10-16 x 1".....	2
10	96002086	Switch, Solenoid.....	1
11	96105282	Grommet, 3/8" ID.....	2
12	98100253	Capscrew, Hex, 1/4"-20 x 1-1/4".....	2
13	98100254	Washer, Flat, 1/4".....	2
14	98100255	Nut, hex Head Nylock, 1/4"-20.....	2



# CONTROL SYSTEM WIRING



ITEM	PART NO.	DESCRIPTION	QTY
1	96105083	Module, Wired Control .....	1
2	96105487	Harness Repair Kit.....	1
3	96105709	Clamp, Cable .....	3
4	96105418	Connector, Plug .....	1
5	96105370	Contact, Signal Socket.....	6
6	96108295	Harness, Solenoids, DP .....	1
	96106741	Harness, Solenoids, Gravity.....	1
7	96105081	Bag, Harness Controls.....	1
8	96105300	Cap, Screw-On.....	1
9	96105284	Cap, 1/2" .....	1
10	96104893	Grommet, 5/16" ID .....	1
11	96001227	Strap, Plastic Tie .....	5
12	96105101	Harness, Vehicle .....	1
13	96105416	Contact, Signal Pin .....	6
14	96105710	Connector, Receptacle, Flanged.....	1
15	96105419	Boot, Cable .....	1
16	96105420	Grip, Cable .....	1
17	96105708	Connector, Plug, Unsealed .....	1
18	96104890	Controller Assembly .....	1
19	96104681	Touch Pad, V-Plow .....	1
20	96105299	Housing, Controller (Complete) .....	1
21	96105417	Connector, Receptacle.....	1

# NUMERICAL INDEX

PART NO.	PAGE	ITEM	PART NO.	PAGE	ITEM	PART NO.	PAGE	ITEM
96001227	15	8	96105074	4	44	96105708	16	17
	16	11	96105081	16	7	96105709	16	3
96001392	4	73	96105082	15	7	96105710	16	14
96001531	4	72	96105083	16	1	96105731	12	26
96002086	15	10	96105101	16	12		14	24
96006002	6	1	96105167	15	4	96105732	12	24
96100001	7	14	96105231	10	16		14	22
	8	13	96105233	10	1	96105733	12	34
96100085	4	38	96105234	12	25		14	31
96101210	15	5		14	23	96105734	10	3
96101401	6	19	96105237	10	17	96105735	10	9
96101833	4	1	96105238	12	30	96105736	10	10
96101977	4	67		14	28	96105737	10	12
96102130	4	28	96105239	12	33	96106006	12	34
96102131	4	31	96105240	12	23		14	31
96102168	4	30	96105241	10	14	96106033	6	14
96102227	4	13	96105244	10	15	96106108	6	4
96102271	4	16	96105245	10	13	96106109	6	4
96102370	4	39	96105249	10	11	96106110	6	4
96102416	12	22	96105250	12	36	96106111	6	4
96102482	2	2		14	33	96106273	12	21
96102542	4	56	96105251	12	20		14	21
	6	21		14	20	96106723	8	1
96102604	2	5	96105260	4	69	96106741	16	6
96102605	2	1	96105273	15	3	96106743	4	7
96102606	2	1	96105274	12	29	96106869	4	38
96102781	4	70		14	27	96107342	6	4
96102832	4	49	96105275	12	35	96107343	6	4
96102891	15	6		14	32	96107344	6	4
96102915	4	65	96105278	4	33	96107345	6	4
96102916	4	45	96105279	4	33	96108295	16	6
96102927	4	14	96105282	15	11	96108341	12	27
96102938	2	8	96105284	16	9		14	25
96103000	4	48	96105299	16	20	96108342	12	31
96103519	4	29	96105300	16	8		14	29
96103524	4	32	96105312	10	18	97100001	6	13
96103891	6	6	96105313	10	5	97100004	4	41
96103892	6	6	96105314	10	8	97100005	4	40
96104161	7	1	96105315	10	7	97100006	6	12
96104221	15	1	96105316	10	6	97100018	6	11
96104230	15	2	96105317	10	4	97100751	4	8
96104243	7	4	96105318	10	19	97100911	6	5
	8	4	96105321	7	2	97100912	6	5
96104247	7	9		8	2	98009005	4	57
	8	9	96105330	4	9	98009008	7	7
96104503	7	13	96105370	16	5		8	7
96104681	16	19	96105416	16	13	98009009	4	10
96104713	4	25	96105417	16	21		6	20
96104890	16	18	96105418	16	4	98009011	4	4
96104893	16	10	96105419	16	15	98009013	4	17
96105007	4	7	96105420	16	16		6	8
96105044	4	22	96105461	4	19	98009025	7	11
96105046	4	43	96105487	16	2		8	11

# NUMERICAL INDEX

PART NO.	PAGE	ITEM	PART NO.	PAGE	ITEM	PART NO.	PAGE	ITEM
98009030	4	54	98100276	7	6			
98009032	7	8		8	6			
	8	8	98100277	7	12			
98009034	4	46		8	12			
	6	18	98100278	7	10			
98009036	4	11		8	10			
98009038	4	66						
98009039	4	50						
98009042	4	71						
98009050	6	17						
98009068	4	63						
98009069	4	64						
98009078	4	53						
98009085	4	37						
98009151	6	15						
98009169	4	42						
	4	60						
98009194	4	68						
98019027	4	20						
98019176	2	3						
	4	5						
	6	9						
98019230	2	4						
	2	7						
	4	6						
	6	10						
98100007	4	36						
98100008	4	24						
98100010	4	3						
98100037	15	9						
98100062	4	15						
98100098	4	2						
98100099	4	55						
98100104	4	27						
98100105	4	26						
98100157	4	61						
98100164	4	52						
98100165	4	51						
98100167	2	6						
98100169	4	47						
98100170	4	62						
98100171	6	7						
98100172	4	18						
98100176	4	12						
98100253	15	12						
98100254	4	21						
	15	13						
98100255	4	23						
	7	5						
	8	5						
	15	14						
98100266	7	3						
	8	3						

---

**SNO-WAY<sup>®</sup> INTERNATIONAL, INC.**

**SNO-WAY<sup>®</sup>**  
**SNOW & ICE CONTROL EQUIPMENT**

Hartford, WI 53027 USA  
Website: [www.snoway.com](http://www.snoway.com)  
©2011 Sno-Way<sup>®</sup> International