

# **SNO-WAY**®

**SNOW & ICE CONTROL EQUIPMENT**

## **OWNER'S & PARTS MANUAL**

### **SKID STEER STRAIGHT BLADE SNOW PLOWS**

**SERIES 18SKD, 22SKD, 25SKD, 26SKD, 29SKD,  
29THDSKD, 29TSKD, 32SKD, 32CSKD & MBCSKD**

FOR PLOW SERIAL NUMBERS AFTER:  
18SKD100000, 22SKD100000, 25SKD100000, 26SKD100000,  
29THDSKD100000, 29TSKD100000, 32SKD100000,  
32CSKD100000, MBCSKD100000

Sno-Way® , Down Pressure® and EIS® are registered trademarks of Sno-Way International, Inc.  
ProControl™ , MegaBlade™ , V-Wing™ , E-Z Switch™ , Revolution™ , MaxAdjust™ , SpeedLock™ , and QuickJack™  
are trademarks of Sno-Way International, Inc.

©2014 Sno-Way® International

97100790K

# TABLE OF CONTENTS

|   | Page       |
|---|------------|
| INTRODUCTION .....  | 2          |
| SAFETY .....  | 3          |
| THEORY AND PLOWING OPERATION.....                           | 4          |
| System Operation Theory .....                               | 4          |
| Plow Operational Limits .....                               | 4          |
| Plowing Operation .....                                     | 4          |
| TROUBLESHOOTING GUIDE.....                                  | 6          |
| Introduction .....  | 6          |
| Trouble Shooting-Quick Reference General .....              | 6          |
| MAINTENANCE .....   | 7          |
| General .....   | 7          |
| Break In Period .....                                       | 7          |
| Periodic Inspection.....                                    | 7          |
| Hydraulic Cylinders .....                                   | 7          |
| Polycarbonate Blade Care .....                              | 7          |
| Polycarbonate Blade Cleaning Instructions .....             | 7          |
| Disk Shoe Adjustment.....                                   | 8          |
| Cutting Edge .....  | 8          |
| Trip Spring Adjustment (Except 29TSKD & MBCSKD Series)..... | 9          |
| Trip Spring Adjustment (29TSKD Series) .....                | 10         |
| Trip Spring Adjustment (29THDSKD Series).....               | 10         |
| Trip Spring Adjustment (MBCSKD Series) .....                | 10         |
| TORQUE SPECIFICATIONS .....                                 | 11         |
| HYDRAULIC SCHEMATIC .....                                   | 12         |
| PARTS LIST INTRODUCTION .....                               | 14         |
| FRAME - 18SKD .....   | 15         |
| BLADES - 18SKD .....  | 17         |
| FRAME - 22SKD .....   | 19         |
| BLADES - 22SKD .....  | 21         |
| FRAME - 25SKD .....   | 23         |
| BLADES - 25SKD .....  | 25         |
| FRAME - 26SKD .....   | 27         |
| BLADES - 26SKD .....  | 29         |
| FRAME - 29SKD, 29TSKD, 32SKD & 32CSKD .....                 | 31         |
| BLADES - 29SKD .....  | 33         |
| BLADES - 29TSKD .....                                       | 35         |
| BLADES - 32SKD .....  | 37         |
| BLADES - 32CSKD.....  | 39         |
| FRAME - 29THDSKD.....                                       | 41         |
| BLADES - 29THDSKD.....                                      | 43         |
| FRAME - MBCSKD .....  | 45         |
| BLADE - MBCSKD .....  | 47         |
| MANUAL ADJUST ANGLING ASSEMBLY 18SKD, 25SKD & 26SKD .....   | 49         |
| CROSS OVER RELIEF .....                                     | 50         |
| SKID STEER ADAPTERS .....                                   | 51         |
| NUMERICAL INDEX .....                                       | 53         |
| DEALER CHECKLIST .....                                      | Rear Cover |

# INTRODUCTION

This manual was written for the assembly, installation and maintenance of your new Sno-Way Skid Steer Straight Plow. Most importantly, this manual provides an operating plan for safe use. Refer to the Table of Contents for an outline of this manual.

Please keep this manual with your machine at all times as reference material and so it can be passed on to the next owner if the machine is sold.

We require that you read and understand the contents of this manual COMPLETELY, especially the chapter on SAFETY, before attempting any procedure contained in this manual.



The Society of Automotive Engineers has adopted this SAFETY ALERT SYMBOL to pinpoint characteristics that, if NOT carefully followed, can create a safety hazard. When you see this symbol in this manual or on the machine itself, BE ALERT!, your personal safety and the safety of others, is involved.

• Defined in the next column, are the SAFETY ALERT messages and how they will appear in this manual.

|   |                |
|---|----------------|
|  | <b>WARNING</b> |
| FAILURE TO FOLLOW CAN RESULT IN INJURY OR DEATH.                                    |                |

|   |                |
|---|----------------|
|          | <b>CAUTION</b> |
| Information, that if not carefully followed, can cause minor injury or damage to equipment! |                |

*NOTE: Additional information concerning the equipment or the procedure that may or may not be contained elsewhere in this manual.*

**BE AWARE!** It is illegal to remove, deface or otherwise alter the safety decals mounted on this equipment.

Record the A-Frame Serial Number, Blade Model Number and Blade Serial Number in the space provided below as a handy record for quick reference. The Blade Serial Number is located on one of the middle ribs of the blade.

These plates contain information that your Dealer needs to answer questions or to order replacement parts, if needed, for your unit.

|  |       |
|--|-------|
| <b>NAME PLATE DATA</b>   |       |
| A-FRAME SERIAL NUMBER  | _____ |
| BLADE MODEL NUMBER   | _____ |
| BLADE SERIAL NUMBER<br><small>(Located on Blade Frame)</small> | _____ |
| (FILL IN)  |       |

|               |                             |
|---------------|-----------------------------|
| <b>DEALER</b> |                             |
| NAME          | _____                       |
| ADDRESS       | _____                       |
| CITY          | _____ STATE _____ ZIP _____ |
| PHONE ( )-    | _____                       |
| (FILL IN)     |                             |

|                           |                             |
|---------------------------|-----------------------------|
| <b>ORIGINAL PURCHASER</b> |                             |
| NAME                      | _____                       |
| ADDRESS                   | _____                       |
| CITY                      | _____ STATE _____ ZIP _____ |
| PHONE ( )-                | _____                       |
| (FILL IN)                 |                             |

We reserve the right to make changes or improve the design or construction of any part(s) without incurring the obligation to install such parts or make any changes on any unit previously delivered.

**REMEMBER** after the snow plow is installed on the vehicle, the Pre-Delivery Check List and Delivery Check List (on the outside back cover of this manual) must be completed.



## SAFETY



**BEFORE ATTEMPTING ANY PROCEDURE IN THIS BOOK, READ AND UNDERSTAND ALL THE SAFETY INFORMATION CONTAINED IN THIS SECTION. IN ADDITION, ENSURE ALL INDIVIDUALS WORKING WITH YOU ARE ALSO FAMILIAR WITH THESE SAFETY PRECAUTIONS.**

**For your safety Warning and Information Decals have been placed on this product to remind the operator to take safety precautions. It is important that these decals are in place and are legible before operation begins. New decals can be obtained from Sno-Way or your local dealer.**

**REMEMBER** The careful operator is the best operator. Most accidents are caused by human error. Certain precautions must be observed to prevent the possibility of injury to operator or bystanders and/or damage to equipment.

**NEVER** operate plow when under the influence of alcohol, drugs or other medications that could hamper your judgement and reactions. An accident may result in serious injury or death to other persons or yourself.

**ALWAYS** operate vehicle in a well-ventilated area. The carbon monoxide in exhaust gas is highly toxic and can cause serious injury or death.

**NEVER** allow hands, hair or clothing to get near any moving parts such as fan blades, belts and pulleys. Never wear neckties or loose clothing when working on the vehicle.

**NEVER** wear wrist watches, rings or other jewelry when working on the vehicle or individual equipment. These things can catch on moving parts or cause an electrical short circuit that could result in serious personal injury.

**ALWAYS** wear safety goggles when working on the vehicle to protect your eyes from battery acid, gasoline, and dust or dirt from flying off of moving engine parts.

**ALWAYS** be aware of and avoid contact with hot surfaces such as engine, radiator, and hoses.

**ALWAYS** wear safety glasses with side shields when striking metal against metal! In addition, it is recommended that a softer (non-chipable) metal material be used to cushion the blow. Failure to heed could result in serious injury to the eye(s) or other parts of the body.

**NEVER** allow children or unauthorized person to operate this unit.

**ALWAYS** lock the vehicle when unattended to prevent unauthorized operation of the plow.

**ALWAYS** check the job site for terrain hazards, obstructions and people.

**NEVER** exceed 10 m.p.h. when plowing. Excessive speed may cause serious injury and damage of equipment and property if an unseen obstacle is encountered while plowing.

**ALWAYS** position blade so it does not block path of headlamps beam. Do not change blade positions while traveling. An incorrect plow position blocking headlamp beam may result in an accident.

**ALWAYS** check surrounding area for hazardous obstacles before operating this unit.

**ALWAYS** inspect the unit periodically for defects. Parts that are broken, missing or plainly worn must be replaced immediately. The unit, or any part of it should not be altered without prior written approval of the manufacturer.

**ALWAYS** shut off the vehicle engine, place the transmission in Neutral or Park, turn the ignition switch to the "OFF" position and firmly apply the parking brake of the vehicle before attaching or detaching the blade from the vehicle or when making adjustments to the blade.

**ALWAYS** inspect lift system bolts and pins whenever attaching or detaching the plow, and before traveling. Worn or damaged components could result in the plow dropping to the pavement while driving, causing an accident.

**ALWAYS** keep hands and feet clear of blade and A-Frame when attaching or detaching plow.

**NEVER** place fingers in A-frame or mount lug holes to check alignment when attaching snow plow. Sudden motion of the plow could severely injure a finger.

**NEVER** stand between the vehicle and blade or directly in front of blade when it is being raised, lowered or angled. Clearance between vehicle and blade decreases as blade is operated and serious injury or death can result from blade striking a body or dropping on hands or feet.

**NEVER** work on the vehicle without having a fully serviced fire extinguisher available. A 5 lb or larger CO<sup>2</sup> or dry chemical unit specified for gasoline, chemical or electrical fires, is recommended.

**NEVER** smoke while working on the vehicle. Gasoline and battery acid vapors are extremely flammable and explosive.

**NEVER** use your hands to search for hydraulic fluid leaks; escaping fluid under pressure can be invisible and can penetrate the skin and cause a serious injury! If any fluid is injected into the skin, see a doctor at once! Injected fluid **MUST BE** surgically removed by a doctor familiar with this type of injury or gangrene may result.

**REMEMBER** it is the owner's responsibility for communicating information on the safe use and proper maintenance of this machine.

# THEORY AND PLOWING OPERATION

## System Operation Theory

The Skid Steer Straight Blade Snow Plow functions as an accessory for a skid steer or any vehicle that has a Universal Mount system.

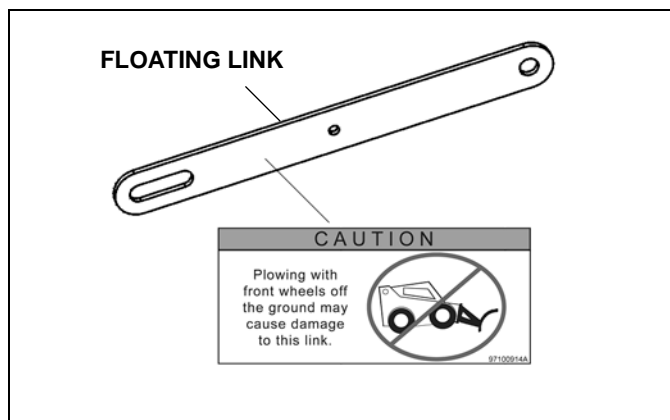
The plow is mounted to the Universal Mount system, and the auxiliary hydraulics lines are connected to the swing cylinders. The plow is raised or lowered using the loader arms. The blade is angled when the auxiliary hydraulics are turned on. The fluid pressure from the auxiliary hydraulics causes one of the angling cylinders to become pressurized and therefore extend. The extended cylinder causes the blade to angle. The fluid from the retracting cylinder returns to the skid steer fluid reservoir tank via the other auxiliary hydraulics port. To cause the blade to angle in the opposite direction, the auxiliary hydraulics flow is reversed. The connection of the hoses for left to right orientation is vehicle dependent as to which auxiliary port connects to which cylinder.

To limit the angling speed of the blade, an orifice is located in the left cylinder elbow.

*NOTE: Any altering or removal of this orifice voids the warranty.*

A cross over relief system protects the unit from potential damage. When the blade hits an obstacle it causes the blade to angle. If the load is higher than 2000 PSI. in the cylinders, then the cylinder rod retracts via the cross over relief and protects the blade from potential damage. The blade, however, is not protected if the cylinder is fully retracted and against the stops. Potential damage to the blade and the stops can occur if significant obstacles are encountered while the blade is against a stop.

## Plow Operational Limits



**Figure 1-1**

The Sno-Way Skid Steer Plows are designed to plow snow within certain operational limits. A pair of floating links enable the plow to "float" over the contours of an uneven grade during operation. In addition, these links

are designed to be the "weakest link" of the plow system. If excessive loading is encountered the links will collapse, requiring replacement. Plowing with all four skid steer wheels "on the ground" is recommended for optimum plowing performance and reduced loading on plow components.

## Plowing Operation

### Before The Season Begins

1. Inspect safety equipment for proper operation; headlights and windshield wipers.
2. Inspect the plow, plow frame and all attaching hardware for wear and corrosion. Replace worn or damaged parts and clean and repaint exposed metal parts with a high quality, corrosion resistant enamel.
3. Inspect all fasteners to insure that they are properly tightened. If any fasteners are loose, re-tighten to the proper torque (refer to the Torque Specification Chart in this manual) and carefully inspect the adjacent area for damage or wear as well as carefully inspecting all adjacent fasteners for proper torque.
4. Apply a small amount of light oil to the Hitch Pins and pivots, to Pivot Pins between the Blade Assembly and the Swing Frame, between Swing Cylinder pivot Pins and the Lift Linkage.
5. Check for excessive free play between the A-Frame and Swing Frame Pivot. If there is excessive free play adjust the Swing Frame Pivot Pin as described in the of this manual.
6. If wear is noticed between the A-Frame and Swing Frame apply a good quality Anti-Seize lubricant to this area.

### Clearing Driveways

*NOTE: For better clean up of hard-packed snow, raise the disc shoes so that the cutting edge of the blade comes into direct contact with pavement.*

1. Head into driveway with the blade angled to plow snow away from buildings. Continue to widen drive path by rolling snow away from buildings on successive passes.
  1. If there is a garage at the end of the driveway, plow to within several vehicle lengths of the garage. Then push as much snow as possible off the driveway.
    1. With a raised straight blade, drive through remaining snow to building. Drop blade and "back-drag" snow away from garage door at least one and one-half vehicle lengths. Repeat as necessary.
      1. Back vehicle to garage door and plow forward toward street, removing the remaining snow.

## Clearing Parking Lots

*NOTE: For better clean up of hard-packed snow, raise the disc shoes so that the cutting edge of the blade comes into direct contact with pavement. Use the lowest possible gear to place maximum power behind the cutting edge.*

1. “Back drag” areas in front of buildings and near walls then work away from buildings towards the outer edges of the lot.
2. Plow a single path down the center in the longest direction.

*NOTE: Stacking snow; As the “stacking” location is approached, begin raising the blade to facilitate the ride-up onto the stack.*

Angle plow toward the exterior sides, and continue with successive passes until area is cleared and snow is “stacked” around outer edges. If snow is too deep to clear in the above manner, clear main traffic lanes as much as possible and stack snow at selected intermediate positions.

### Mounting Snow Plow To Vehicle

1. Drive up to the snow plow and tilt the universal mount slightly forward.
2. Hook the top of the universal mount under the lip on the skid steer adapter plate of the snow plow.
3. Position the snow plow so that it rests flush against the universal mount and lock the snow plow in place.
4. Connect the hydraulic hoses to the auxiliary hydraulic connectors on the vehicle.

### Removing Snow Plow From Vehicle

1. Lower the snow plow to the ground.
2. Disconnect the hydraulic hoses from the vehicle.
3. Unlock the universal mount from the snow plow and slowly back away from the snow plow, while tilting the universal mount slightly forward.

### Transporting Vehicle With Plow Attached

1. Position the blade out of the beam path of the headlights before driving.
2. Inspect plow and plow attaching hardware for wear or damage before transporting and beginning plow operations.

## Plowing Like A Pro



### WARNING

- **Never exceed 10 mph when plowing! Serious personal injury can result, as well as damage to equipment and property, if an unseen obstruction is encountered while plowing.**
- **Wear your seat belt! Contact with a hidden obstruction can cause serious personal injury from bodily contact within the vehicle cab or whiplash from sudden stops.**

**FAILURE TO FOLLOW CAN RESULT IN INJURY OR DEATH.**

1. Become familiar with the area to be plowed and mark potential hazards before the snow falls. Many immovable objects cannot be seen when covered with snow. Developing a plan early can save valuable time and equipment damage. Allow sufficient room to pile snow, out of the traffic area, with enough space for snow when the next storm comes.

2. Plow with the storm. The “Pros” are out early removing only several inches of snow at a time. Allowing snow to accumulate to unmanageable levels can cause difficult removal problems and can be costly in terms of “wear and tear” on equipment. The plow is not a “Ram or Bulldozer”. If used properly, it will give you many years of safe and reliable service.

Research municipal ordinances for restrictions on the disposal of snow. Many municipalities do not allow snow to be placed in roads or throughway.

# TROUBLESHOOTING GUIDE

## Introduction

Whenever service is necessary, your local dealer knows your plow best and is interested in your complete satisfaction. Return your snow plow to your local dealer for Maintenance service or any other assistance you may require. If you are unable to do so, this trouble Shooting Guide should help you determine the problem. Before attempting the servicing of your plow, you should possess good mechanical abilities and a total understanding of the mechanism.

PLEASE: Before calling parts and service personnel be certain that:

1. You have read this guide carefully and are certain that all of the suggestions pertaining to your problem have been attempted.
2. You should have the following information available.
  - A. Date snow plow was originally installed.
  - B. A-Frame Serial Number.
  - C. Blade Model Number.
  - D. Blade Serial Number.

This information should be recorded on page 2 of this Owners Manual.

|   |
|---|
|  <span style="font-size: 24pt; font-weight: bold; margin-left: 10px;">CAUTION</span> |
| <p><b>First read all warning instruction, the safety messages, and directions before attempting any adjustments or repairs to your unit!</b></p>                      |

## Trouble Shooting-Quick Reference General

1. Check oil level in hydraulic system reservoir.
2. Check for external leakage at cylinders, hoses and power unit.

| PROBLEM   | PROBABLE CAUSE   | CORRECTIVE ACTION           |
|---|--|-----------------------------|
| Blade will not angle  | Hydraulic fluid level low  | See Maintenance section     |
|   | Crossover pressure relief valve setting too low  | Refer to dealer             |
|   | Angle cylinder binding or bent   | Refer to dealer             |
|   | Crossover relief valve sticking or stuck   | Refer to dealer             |
|   | Faulty skid loader valve   | Refer to skid loader dealer |
| Unit angles very slowly   | Hydraulic fluid level low  | See Maintenance section     |
|   | Crossover relief valve sticking or stuck   | Refer to dealer             |
|   | Crossover relief valve pressure setting too low  | Refer to dealer             |
|   | Improper oil viscosity for outside air temperature, unit not at normal operating temperature | See Maintenance section     |
|   | Damaged cylinder   | Refer to dealer             |
|   | Cylinder packing improperly torqued or dry   | Refer to dealer             |
|   | Faulty skid loader valve   | Refer to skid loader dealer |
| Unit angles in one direction only   | Crossover relief valve sticking or stuck   | Refer to dealer             |
|   | Crossover relief valve pressure setting too low  | Refer to dealer             |
|   | Angle cylinder binding   | Refer to dealer             |
|   | Faulty skid loader valve   | Refer to skid loader dealer |
| Unit does not hold angle.<br>Note: This problem is usually noted when pushing snow or when plow is being transported. | Crossover relief valve pressure setting too low  | Refer to dealer             |
|   | Crossover relief valve sticking or stuck   | Refer to dealer             |
|   | Snow too heavy / wet   | Take smaller passes         |
|   | Faulty skid loader valve   | Refer to skid loader dealer |

# MAINTENANCE

## General

- **Before operating, perform a thorough visual inspection of the equipment. Look for fluid leaks, cracked, bent or broken components, loose nuts, bolts or attachments and proper fluid levels.**

- **A clean hydraulic system is essential to long pump life and proper performance.**

- **When adding oil to the reservoir, wipe the area around the filler port clean before removing the breather cap. Use clean oil and a clean funnel, (DO NOT use a cloth or rag to strain the oil).**

- **The operational environment for snow plows is an extremely harsh and corrosive one.**

- **To prevent rust from forming, clean and repaint exposed metal surfaces.**

- **NEVER operate the equipment with the protective covers or guards removed.**

## Break In Period

During the first few hours of operation the Plow will go through a break in period during which mating surfaces of the A-Frame and Swing Frame pivots will settle in. After 15 to 20 hours of operation check for free play of the A-Frame and Swing Frame Pivot.

To check for free play:

- raise the plow
- push down on end of blade, either right or left side, as far as it will go
- using a tape measure, measure and record the distance from the ground to the bottom edge of the wear strip
- Pull upwards on the same end of the plow until edge of blade is raised as far as it will go
- measure and record the distance from the ground to the bottom edge of the wear strip
- Subtract the two measurements to determine the amount of free play between the Swing Frame Pivot and the A-Frame

*NOTE: Allowable free play range is 1/2" to 1-1/2". If free play exceeds this range it must be adjusted using the following steps.*

To remove any excessive free play:

### 18SKD, 25SKD

- remove the 3/8" Cap Screw and Lock Nut which holds the Lock Plate to the Swing Platform
- tighten the Pivot Bolt Nut (typically 1/6 to 1/3 turn, one or two flats)
- replace the Lock Plate and secure with the 3/8" Cap Screw and lock nut

### 22 SKD, 26SKD, 29SKD, 29TSKD, 32SKD, 32CSKD & MBCSKD

- tighten the Pivot Bolt Lock Nut (typically 1/6 to 1/3 turn, one or two flats)

## Periodic Inspection

After approximately every 20 hours of operation perform the following inspections procedures:

1. Inspect the plow assembly for any damage or excessive wear. Also inspect all fasteners to insure that they are properly tightened. If any fasteners are loose re-tighten to the proper torque (Refer to the Torque Specification chart in this manual). Also carefully inspect adjacent area for damage or wear as well as carefully inspecting all adjacent fasteners for proper torque.

2. Apply a small amount of light oil to the Hitch Pins and pivots, to Pivot Pins between the Blade Assembly and the Swing Frame, between Swing Cylinder pivot Pins and the Linkage Pivots.

3. Check for excessive looseness between the A-Frame and Swing Frame Pivot. If there is excessive looseness adjust the Swing Frame Pivot Pin as described in the "BREAK-IN PERIOD" section of this manual.

4. If wear is noticed between the A-Frame and Swing Frame apply a good quality Anti-Seize lubricant to this area.

## Hydraulic Cylinders

To avoid corrosion during storage, coat the exposed (chrome) portion of the angle cylinders with a light grease.

## Polycarbonate Blade Care

- **DO NOT use abrasive or highly alkaline cleaners on Polycarbonate Blade.**

- **Never scrape Polycarbonate Blade with squeegees, razor blades or other sharp instruments.**

- **Benzene, gasoline, acetone or carbon tetrachloride should never be used on Polycarbonate Blade.**

- **DO NOT clean Polycarbonate Blade in hot sun or at elevated temperatures.**

## Polycarbonate Blade Cleaning Instructions

Wash with a mild soap or detergent and luke-warm water using a clean cloth or soft sponge. Dry thoroughly with a chamois or moist cellulose sponge to prevent water spots.



## Disk Shoe Adjustment

1. Raise the plow to the UP position.
2. Place suitable blocking under plow to allow at least 10" of clearance to the ground.
3. Lower plow onto blocking.

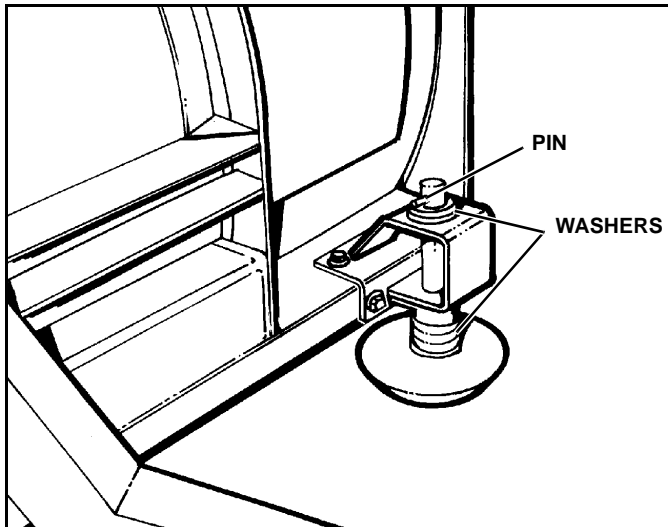
**WARNING**

**Keep hands and feet clear of blade and A-Frame when setting blocking and lowering plow. Moving or falling assemblies could result in injury.**

**FAILURE TO FOLLOW CAN RESULT IN INJURY OR DEATH.**

4. Turn ignition switch OFF and apply the emergency brake.
5. Adjust shoe assemblies by removing Shoe Mounting Pin and adding or subtracting washers on the top or bottom of the shoe mounting bracket. (See Figure 2-1)

*NOTE: Adjust shoe assemblies to meet road conditions. 1/4" to 1/2" off the ground for hard surfaces, 1" to 2" for gravel roads, etc.*



**Figure 2-1**

6. After the Disk Shoe position is properly adjusted, place washers on the Disk Shoe Stem - above the Disk Shoe Mounting Bracket, and below the Retaining Pin - to remove all up and down movement of the Disk Shoe in the Bracket. Failure to do this will result in excessive wear of the holes in the Disk Shoe Mounting Bracket and will also result in bending the Disk Shoe Stem.

## Cutting Edge

*NOTE: Cutting Edge must be replaced when it is worn to the bottom edge of the frame.*

1. Raise the plow UP 8".
2. Place suitable blocking under A-Frame of plow to allow at least 6" of clearance to the ground.
3. Lower plow onto blocking.

*NOTE: If Plow is equipped with Lexan Blade the blade must be retained prior to removing the Cutting Edge. This can be accomplished by using a pair of 6" C-clamps located at the center of the curved portion of the blade.*

4. Remove mounting bolts holding old Cutting Edge to blade. Discard old Cutting Edge and hardware.
5. Consult Parts Manual for proper replacement Cutting Edge.
6. Install new Cutting Edge using new hardware.

**WARNING**

**Keep hands and feet clear of blade and A-Frame when setting blocking and lowering plow. Moving or falling assemblies could result in injury.**

**FAILURE TO FOLLOW CAN RESULT IN INJURY OR DEATH.**

**CAUTION**

**Cutting edge may be sharp. Handle with care to avoid injury.**

## Trip Spring Adjustment (Except 29TSKD, 29THDSKD & MBCSKD Series)

1. Lower plow to the full down position.
2. Insure that blade springs are installed as illustrated with open end of top loop facing vehicle.
3. Adjust springs by loosening jam nuts on end of the eye bolts and turning opposing nut in proper direction.

*NOTE: Springs are properly adjusted when two or more coils allow a 0.010" feeler gauge to just pass between the separated coils. (A 3 x 5 post card is approximately the same thickness.)*



### CAUTION

- Do not overtighten springs. If more than 0.015" (1/64") gap appears between coil with plow at rest damage could occur to equipment during plowing.
- Springs must be installed with open end of top loop facing vehicle. Bottom loop position will vary.

*NOTE: Eyebolts must be installed in the correct spring bracket mounting holes for proper operation and spring tension. See specific model information below.*

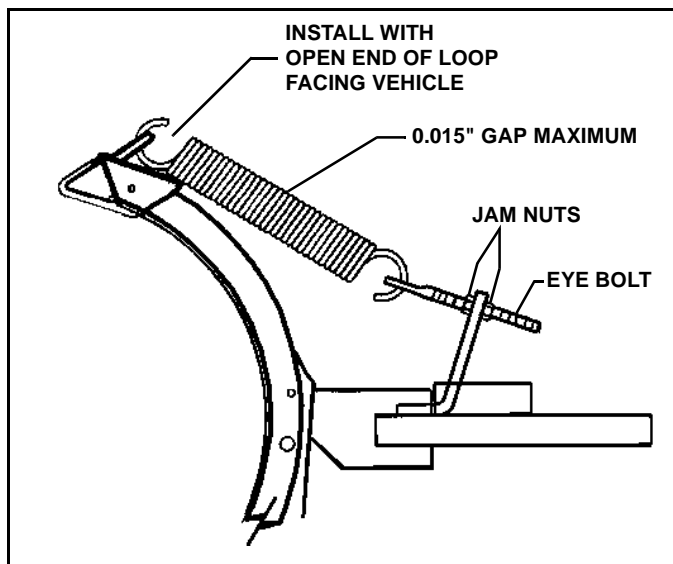


Figure 2-2

**4a. 18SKD, 22SKD, 25SKD & 26SKD SERIES BLADES:** Only one set of eyebolt mounting holes are present in the swing frame spring brackets on these models. A jam nut on either side of the spring bracket secures each eyebolt and provides for adjustment. (See Figure 2-2)

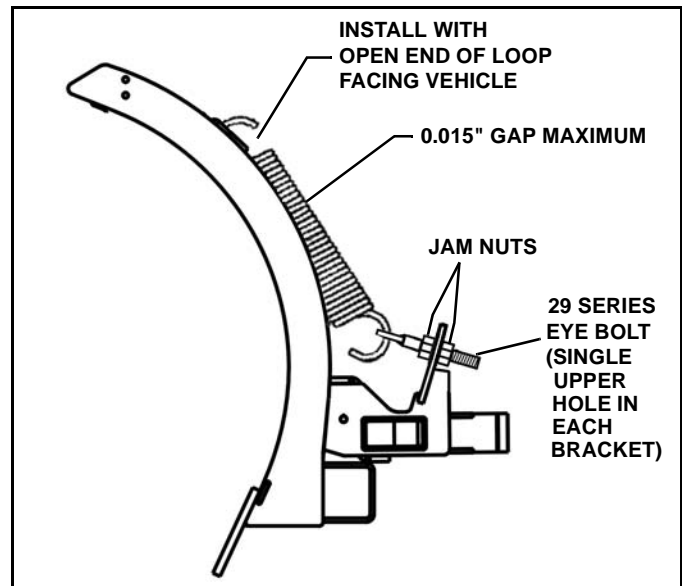


Figure 2-3

**4b. 29SKD SERIES BLADE ONLY:** Three eyebolt mounting holes are present in each swing frame spring bracket on this model. Only one spring and eyebolt are used on each side of the plow, and must be secured in the single upper hole of each spring bracket. A jam nut on either side of the spring bracket secures each eyebolt and provides for adjustment. (See Figure 2-3).

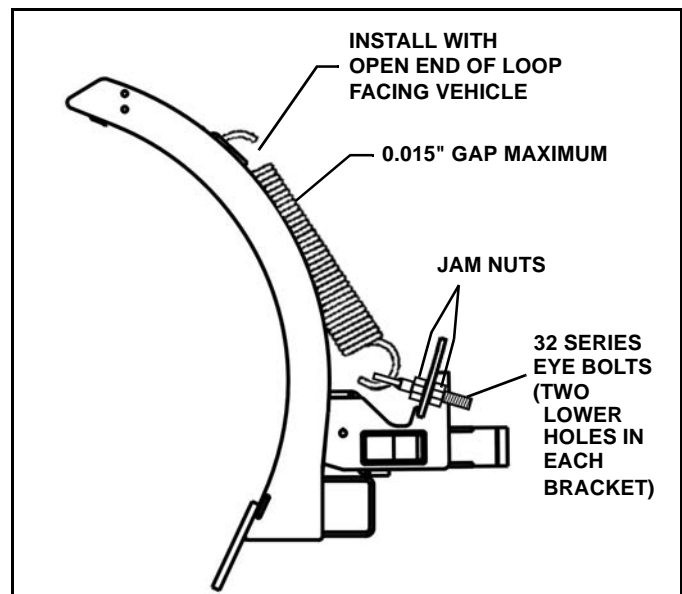


Figure 2-4

**4c. 32SKD SERIES BLADE ONLY:** Three eyebolt mounting holes are present in each swing frame spring bracket on this model. Two springs and eyebolts are used on each side of the plow, and must be secured in the two lower holes of each spring bracket. A jam nut on either side of the spring bracket secures each eyebolt and provides for adjustment. (See Figure 2-4).

5. Tighten springs until a .010" feeler gauge can pass between two or more coils (a 3x5 postcard is approximately .010").

## Trip Spring Adjustment (29TSKD Series)

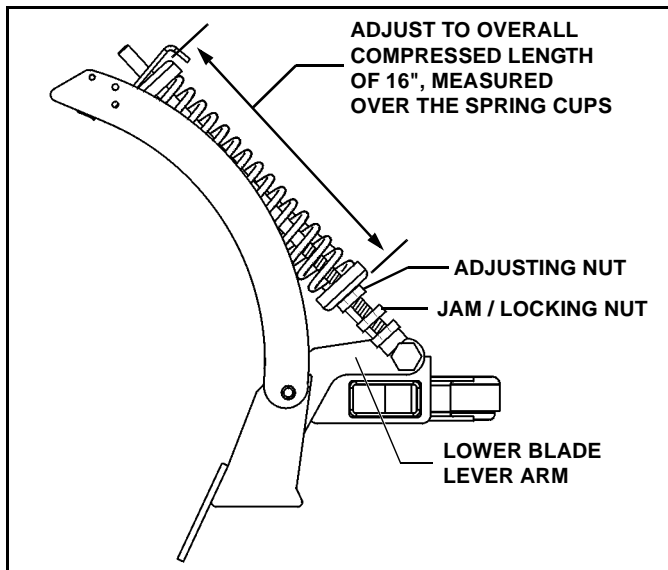


Figure 2-5

Screw the 3/4" nut, adjacent to the lower spring cup, along the threaded rod so as to compress the spring to an overall compressed length of 16", measured over the spring cups. Run the remaining nut up to the underside of the adjusting nut and firmly lock them together. Repeat for all spring assemblies, there are two used on each side of the plow. (See Figure 2-5)

## Trip Spring Adjustment (29THDSKD Series)

1. Loosen the 3/4" locknut on the top of the trip rod and the 3/4" jam nut below the lower spring cup. (See Figure 2-6)

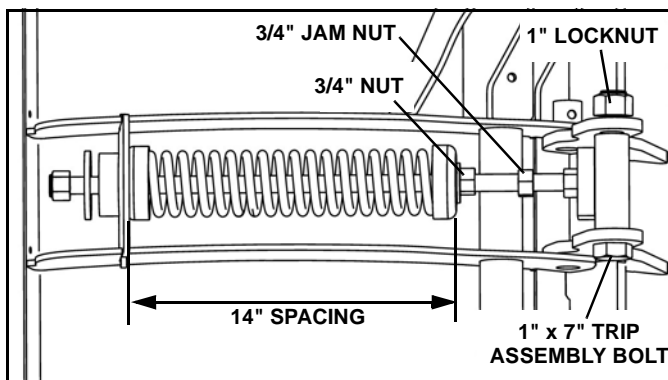


Figure 2-6

2. Tighten the lower 3/4" nut against the washer and lower spring cup until the distance between both spring cups is 14 inches.

3. Tighten the 3/4" jam nut against the adjustment nut to secure the 14" spring cup spacing. (See Figure 2-7)

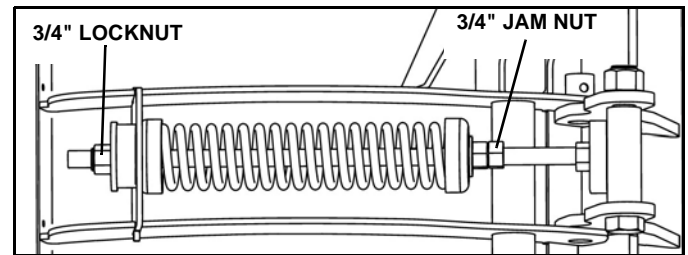


Figure 2-7

4. Tighten the top 3/4" locknut on the trip rod against the shock plate and shock pad until the lower trip assembly bolt can be spun with minimal effort with a wrench.

*NOTE: The shock plate keeps the lower blade and cutting edge from slamming into the stops on the main blade. The ability to spin the lower trip assembly bolt with minimal effort indicates proper preload on the trip spring assembly.*

## Trip Spring Adjustment (MBCSKD Series)

1. Lower plow to the full down position.

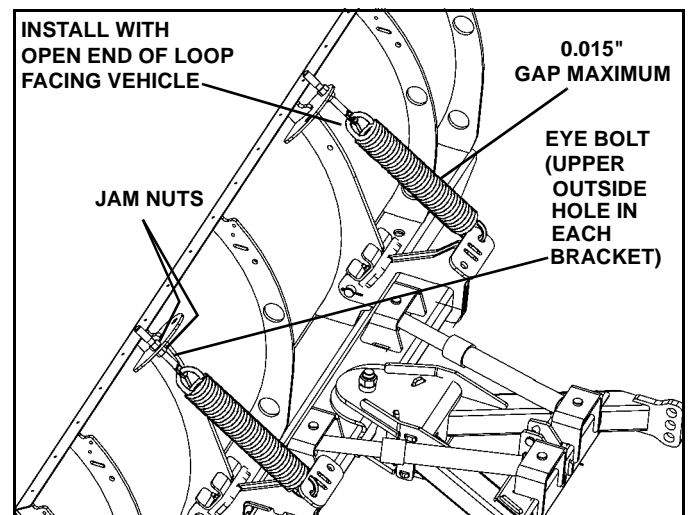


Figure 2-8

2. Insure that blade springs are installed with open end of top loop facing vehicle. (See Figure 2-8)

3. Adjust springs by loosening jam nuts on end of the eye bolts and turning opposing nut in proper direction.

4. Tighten springs until a 0.010" feeler gauge can pass between two or more coils (a 3x5 postcard is approximately 0.010").



## CAUTION







**Do not over tighten springs. If more than 0.015" (1/64") gap appears between coils damage could occur during plowing.**

**Spring must be installed with open end of top loop facing vehicle. Bottom loop position will vary.**

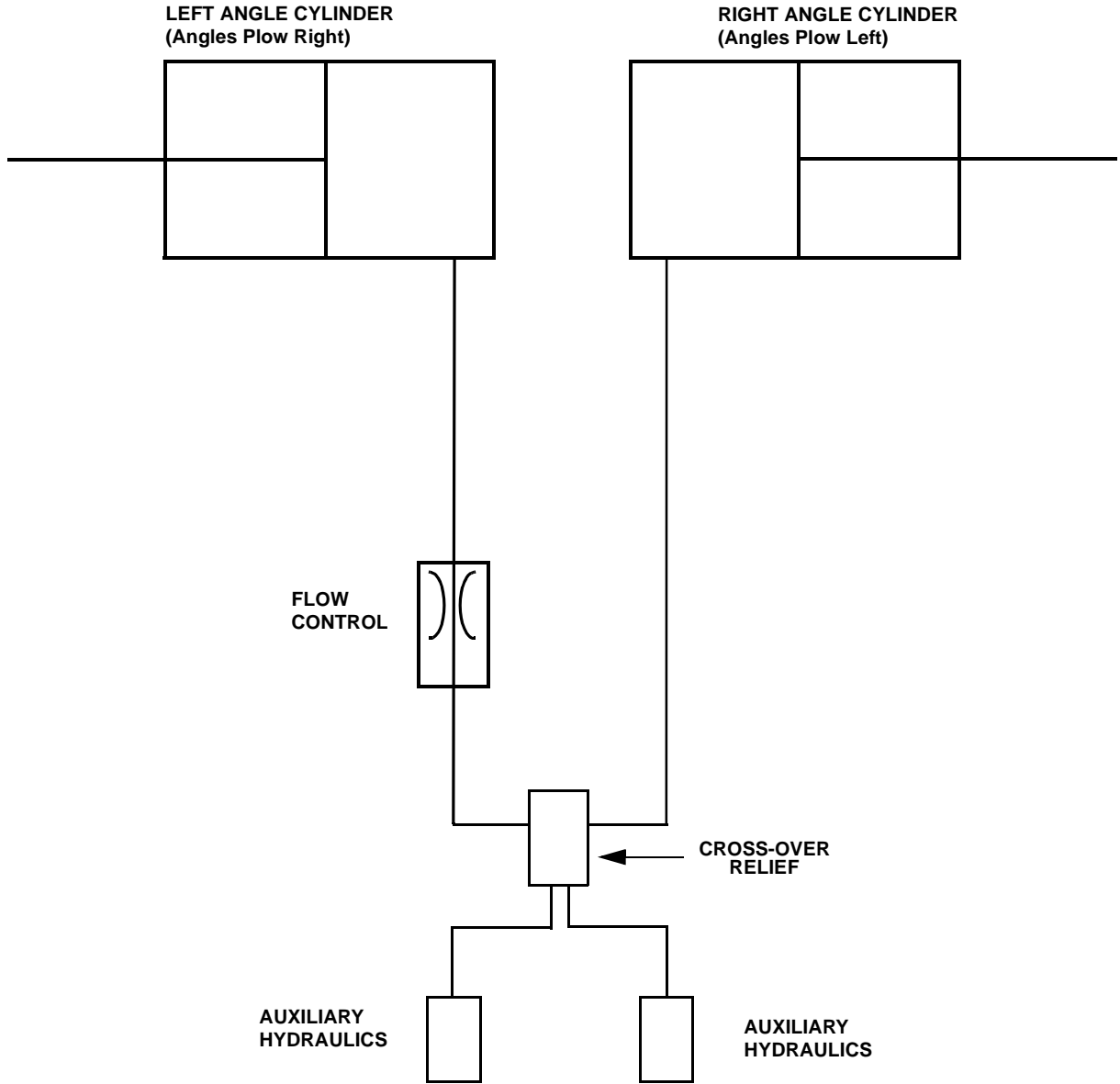
# TORQUE SPECIFICATIONS

NOTE: Use these torque values when tightening Sno-Way hardware (excluding: Locknuts and Self-tapping, thread Forming and Sheet Metal Screws) unless specified otherwise.

All torque values are in Lb-Ft except those marked with an \* which are Lb-In  
(For metric torque value Nm, multiply Lb-Ft value by 1.355 or Lb-In value by 0.113)

| Unified<br>National Thread | Grade 2      |       | Grade 5       |       | Grade 8       |       |
|----------------------------|---|-------|---|-------|--|-------|
|                            | Dry   | Lubed | Dry   | Lubed | Dry  | Lubed |
| 8-32                       | 19*   | 14*   | 30*   | 22*   | 41*  | 31*   |
| 8-36                       | 20*   | 15*   | 31*   | 23*   | 43*  | 32*   |
| 10-24                      | 27*   | 21*   | 43*   | 32*   | 60*  | 45*   |
| 10-32                      | 31*   | 23*   | 49*   | 36*   | 68*  | 51*   |
| 1/4-20                     | 66*   | 50*   | 9   | 75*   | 12   | 9     |
| 1/4-28                     | 76*   | 56*   | 10  | 86*   | 14   | 10    |
| 5/16-18                    | 11  | 9     | 17  | 13    | 25   | 18    |
| 5/16-24                    | 12  |       | 19  | 14    |  | 20    |
| 3/8-16                     | 20  | 15    | 30  | 23    | 45   | 35    |
| 3/8-24                     | 23  | 17    | 35  | 25    | 50   |       |
| 7/16-14                    | 32  | 24    | 50  | 35    | 70   | 55    |
| 7/16-20                    | 36  | 27    | 55  | 40    | 80   | 60    |
| 1/2-13                     | 50  | 35    | 75  | 55    | 110  | 80    |
| 1/2-20                     | 55  | 40    | 90  | 65    | 120  | 90    |
| 9/16-12                    | 70  | 55    | 110   | 80    | 150  | 110   |
| 9/16-18                    | 80  | 60    | 120   | 90    | 170  | 130   |
| 5/8-11                     | 100   | 75    | 150   | 110   | 220  | 170   |
| 5/8-18                     | 110   | 85    | 180   | 130   | 240  | 180   |
| 3/4-10                     | 175   | 130   | 260   | 200   | 380  | 280   |
| 3/4-16                     | 200   | 150   | 300   | 220   | 420  | 320   |
| 7/8-9                      | 170   | 125   | 430   | 320   | 600  | 460   |
| 7/8-14                     | 180   | 140   | 470   | 360   | 660  | 500   |
| 1-8                        | 250   | 190   | 640   | 480   | 900  | 680   |
| 1-14                       | 270   | 210   | 710   | 530   | 1000   | 740   |
| Metric Course<br>Thread    | Grade 8.8  |       | Grade 10.9  |       | Grade 12.9  |       |
|                            | Dry   | Lubed | Dry   | Lubed | Dry  | Lubed |
| M6-1                       | 8   | 6     | 11  | 8     | 13.5   | 10    |
| M8-1.25                    | 19  | 14    | 27  | 20    | 32.5   | 24    |
| M10-1.5                    | 37.5  | 28    | 53  | 39    | 64   | 47    |
| M12-1.75                   | 65  | 48    | 91.5  | 67.5  | 111.5  | 82    |
| M14-2                      | 103.5   | 76.5  | 145.5   | 108   | 176.5  | 131   |
| M16-2                      | 158.5   | 117.5 | 223.5   | 165.5 | 271  | 200   |

# HYDRAULIC SCHEMATIC



# NOTES

# PARTS LIST INTRODUCTION

Our dealership network stands by to provide you with any assistance you may require, including genuine Sno-Way service parts. All parts should be obtained from or ordered through your dealer. Give complete information about the part as well as the Model Number and Serial Number of your machine.

Record the Serial Number in the space provided in your Owner's Manual for quick reference. The Serial Number for the unit is on a plate located on the left frame gusset of the Hopper Frame.

"Right" and "Left" are determined from a position sitting on the Operators Seat of the vehicle.

We reserve the right to make changes or improvements in the design or construction of any part without incurring the obligation to install such changes in any unit previously delivered.

## USING THIS PARTS LIST

Below is parts listing with four columns. The first column is the "ITEM", the second is the "PART NUMBER", The third is the "DESCRIPTION" and the fourth is the "QUANTITY".

The **"ITEM"** is the number used in the corresponding illustration.

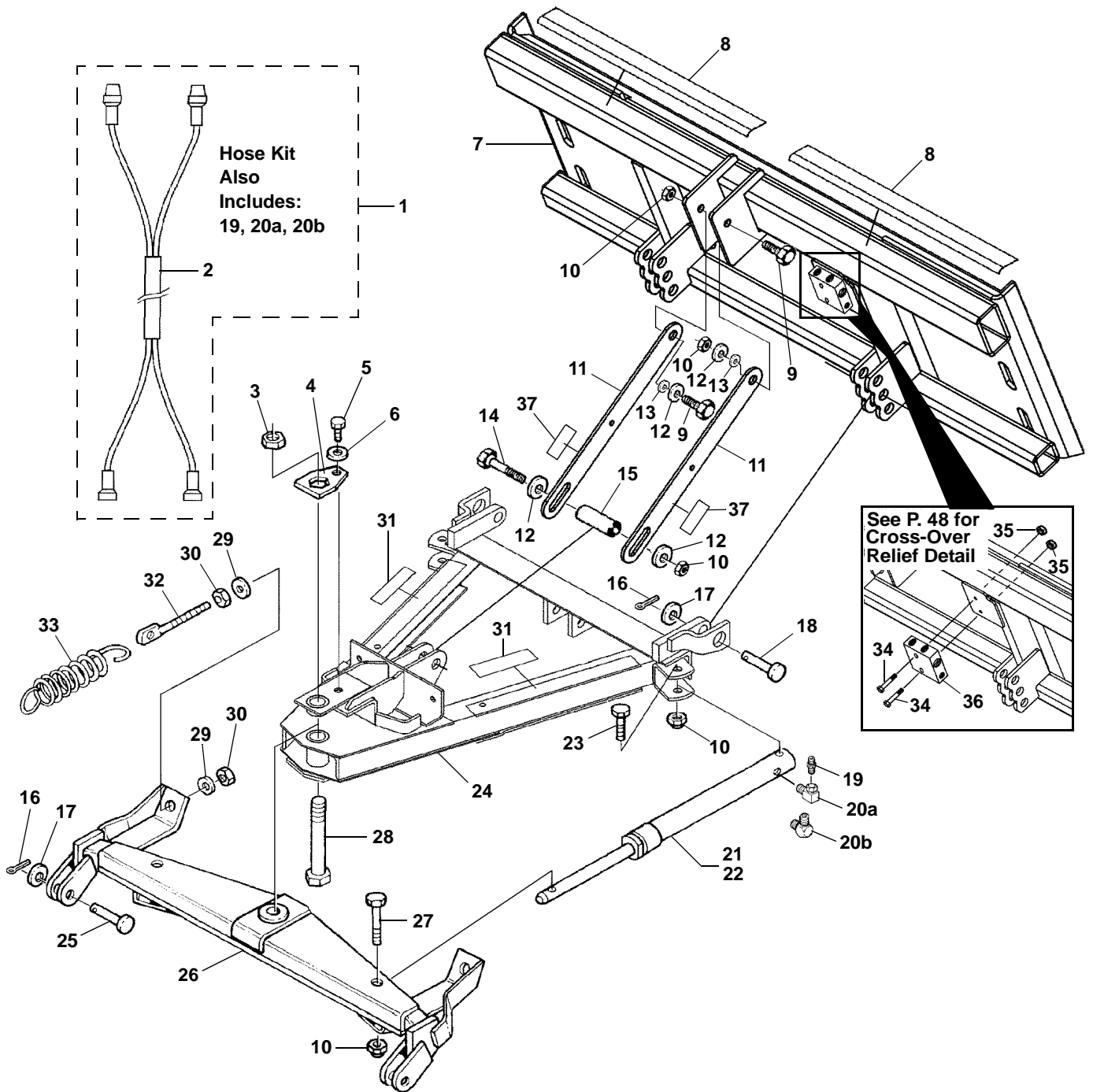
The **"PART NO."** Is the number used to order replacement parts. If a number does not appear in the column the part is only available by ordering the complete assembly.

The **"DESCRIPTION"** is the name of the replacement part. At times the name may be indented, this means that the indented parts are part of the preceding assembly.

The **"QTY."** Is the quantity needed to service the assembly illustrated, not the complete product.

| ITEM | PART NO. | DESCRIPTION                     | QTY. |
|------|----------|---------------------------------|------|
| 1    | 96100083 | O-ring                          | 1    |
| 2    | 96001529 | Elbow                           | 3    |
| 3    | 98100036 | Capscrew, Hex.,3/8"-16NC x 7/8" | 9    |

# FRAME - 18SKD

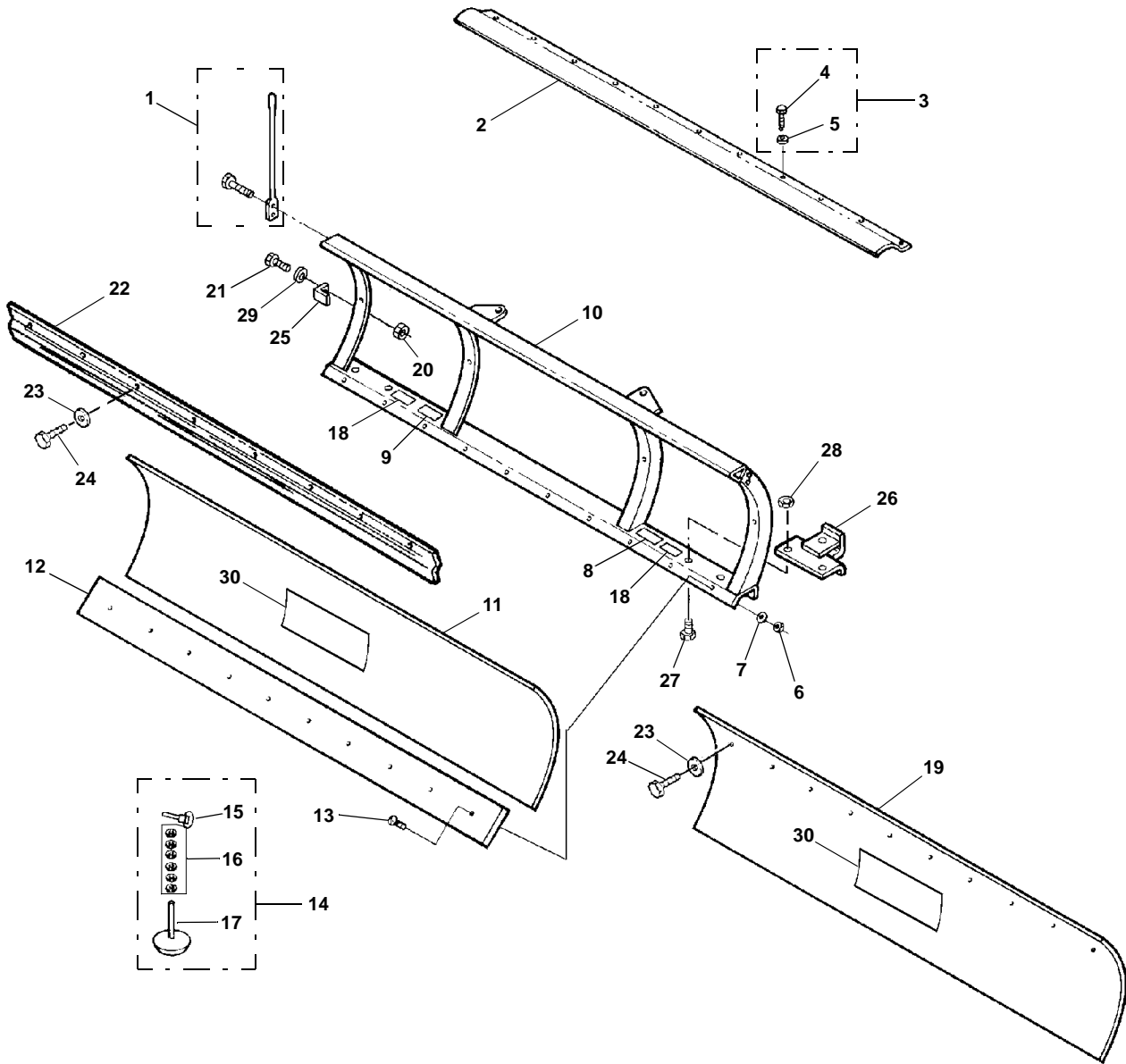




# FRAME - 18SKD

| ITEM | PART NO. | DESCRIPTION  | QTY |
|------|----------|--|-----|
| 1    | 96106216 | Kit, Hose .....  | 1   |
| 2    | 96106322 | Assembly, Hose .....   | 1   |
| 3    | 98100005 | Nut, Hex, 1"-14 .....  | 1   |
| 4    | 96100073 | Plate, Locking Nut.....  | 1   |
| 5    | 98009022 | Cap Screw, Hex, 3/8"-16 x 1" .....                             | 1   |
| 6    | 98009008 | Washer, Lock. 3/8".....  | 2   |
| 7    |          | Adapter, Skid Steer (see page 51 for applications).....        | 1   |
| 8    | 96106279 | Roughing Strips, Anti-Slip .....                               | 2   |
| 9    | 98009010 | Bolt, Hex, 1/2"-13 x 1-1/2" .....                              | 2   |
| 10   | 98009013 | Nut, Nylock, 1/2"-13 .....                                     | 7   |
| 11   | 96106194 | Link, Lift .....   | 2   |
| 12   | 98100176 | Washer, Special Hardened .....                                 | 4   |
| 13   | 96100082 | Spacer.....  | 2   |
| 14   | 98009036 | Bolt, Hex, 1/2"-13 x 3-1/2" .....                              | 1   |
| 15   | 96100081 | Spacer.....  | 1   |
| 16   | 98009085 | Pin, Cotter, 5/32" x 1-1/2" .....                              | 4   |
| 17   | 98009030 | Washer, Flat, 3/4" .....                                       | 4   |
| 18   | 98100165 | Pin, Clevis.....   | 2   |
| 19   | 96106290 | Fitting (Used on left Angle Cylinder only) .....               | 1   |
| 20a  | 96106220 | Fitting, Elbow Orifice (used on left Angle Cylinder only)..... | 1   |
| 20b  | 96100002 | Fitting, Elbow (used on right Angle Cylinder only) .....       | 1   |
| 21   | 96001044 | Cylinder, Angle.....   | 2   |
| 22   | 96107489 | Assembly, Manual Adjust (see page 49 for detail).....          | 2   |
| 23   | 98009017 | Cap Screw, Hex, 1/2"-13 x 3" .....                             | 2   |
| 24   | 96106609 | A-Frame.....   | 1   |
| 25   | 98009175 | Pin, Clevis, 3/4" x 2-1/2" .....                               | 2   |
| 26   | 96100919 | Frame, Swing.....  | 1   |
| 27   | 98009055 | Cap Screw, Hex, 1/2"-13 x 4-1/2" .....                         | 2   |
| 28   | 98100028 | Cap Screw, Hex, 1"-14 x 7" .....                               | 1   |
| 29   | 98009039 | Washer, Flat, 5/8" .....                                       | 4   |
| 30   | 98009078 | Nut, Hex, 5/8"-11.....   | 4   |
| 31   | 97100876 | Decal, Warning, Pinch Point .....                              | 2   |
| 32   | 96102781 | Eyebolt, 5/8"-11 x 4-1/2" .....                                | 2   |
| 33   | 96101061 | Spring, Trip .....   | 2   |
| 34   | 98009067 | Cap Screw, Hex, 1/4"-20 x 2-1/2" .....                         | 2   |
| 35   | 98100255 | Nut, Nylock, 1/4"-20 .....                                     | 2   |
| 36   | 96106275 | Assembly, Cross-Over Relief (see page 50 for detail).....      | 1   |
| 37   | 97100914 | Decal, Floating Link Caution.....                              | 2   |

# BLADES - 18SKD



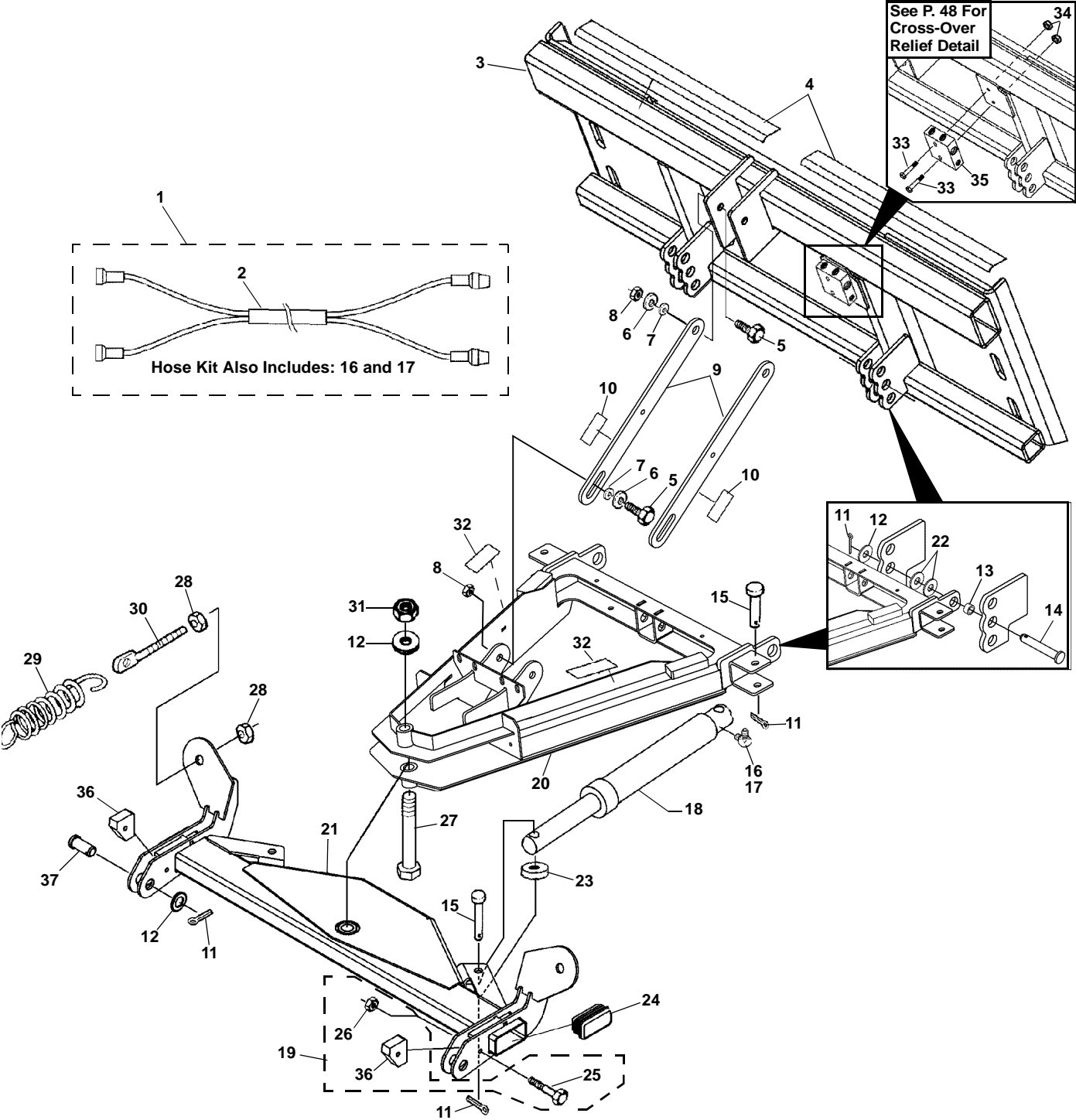
# BLADES - 18SKD

| ITEM | PART NO. | DESCRIPTION  | QTY |
|------|----------|--|-----|
| 1    | 96006002 | Kit, Guide, Blade (Includes 2 Guides And Mounting Hardware)..... | 1   |
| 2    | *        | Deflector, Formed, (see Note) .....                              | 1   |
| 3    | 96101257 | Kit, Hardware .....  | 1   |
| 4    | 98019176 | Screw, Self Tapping .....  | 14  |
| 5    | 98019230 | Washer, Flat, 5/16".....   | 14  |
| 6    | 98009077 | Nut, Hex, 3/8"-16 (use With Polymer Wearstrip) .....             | 12  |
|      | 98009009 | Nut, Hex, Nylock, 3/8"-16 (use With Steel Wearstrip).....        | 12  |
| 7    | 98009008 | Washer, Lock,3/8" (use With Polymer Wearstrip) .....             | 12  |
| 8    | 97100001 | Decal, Warning .....   | 1   |
| 9    | 97100006 | Decal, Important .....   | 1   |
| 10   |          | Frame, 72" .....   | 1   |
|      |          | Frame, 80" .....   | 1   |
|      |          | Frame, 90" .....   | 1   |
| 11   | 96101445 | Blade Skin, Lexan, 72" (includes "Sno-Way" Decal).....           | 1   |
|      | 96101446 | Blade Skin, Lexan, 80" (includes "Sno-Way" Decal).....           | 1   |
|      | 96103069 | Blade Skin, Lexan, 90" (includes "Sno-Way" Decal).....           | 1   |
| 12   | 96101634 | Kit, Wearstrip, Steel, 72" (includes Mounting Hardware) .....    | 1   |
|      | 96101635 | Kit, Wearstrip, Steel, 80" (includes Mounting Hardware) .....    | 1   |
|      | 96102789 | Kit, Wearstrip, Steel, 90" (includes Mounting Hardware) .....    | 1   |
|      | 96101632 | Kit, Wearstrip, Polymer, 72" (includes Mounting Hardware) .....  | 1   |
|      | 96101633 | Kit, Wearstrip, Polymer, 80" (includes Mounting Hardware) .....  | 1   |
| 13   | 98009061 | Bolt, Carriage, Grade 5, 3/8"-16 x 1-1/2" .....                  | 12  |
| 14   | 96001191 | Assembly, Shoe .....   | 2   |
| 15   | 98009169 | Pin, Lynch, 1/4" x 1-9/16".....                                  | 1   |
| 16   | 98100045 | Washer, Flat, 3/4".....  | 13  |
| 17   |          | Shoe, Cast, 3/4" Shaft .....                                     |     |
| 18   | 97100018 | Decal, Warning .....   | 2   |
| 19   | 96103042 | Blade Skin, Steel, 72" (includes "Sno-Way" Decal) .....          | 1   |
|      | 96103043 | Blade Skin, Steel, 80" (includes "Sno-Way" Decal) .....          | 1   |
|      | 96103044 | Blade Skin, Steel, 90" (includes "Sno-Way" Decal) .....          | 1   |
| 20   | 98009150 | Nut, Nylock, 5/16"-18 .....                                      | 2   |
| 21   | 98009149 | Cap Screw, Hex, 5/16"-18 x 1 .....                               | 2   |
| 22   | 96100264 | Retainer, Blade, 72" .....                                       | 1   |
|      | 96100265 | Retainer, Blade, 80" .....                                       | 1   |
|      | 96100266 | Retainer, Blade, 90" .....                                       | 1   |
| 23   | 98019230 | Washer, Flat, 5/16".....   | 8   |
| 24   | 98019176 | Screw, Self-Tapping, 5/16" x 1" .....                            | 8   |
| 25   | 96100213 | Retainer, Bracket .....  | 2   |
| 26   | 96100872 | Bracket, Shoe .....  | 2   |
| 27   | 98009034 | Cap Screw, Hex, 3/8"-16 x 1-1/4" .....                           | 8   |
| 28   | 98009009 | Nut, Nylock, 3/8"-16 .....                                       | 8   |
| 29   | 98009230 | Washer, Flat, 5/16".....   | 2   |
| 30   | 97100911 | Decal, Sno-Way.....  | 1   |

**NOTE:**

*\* Formed Deflectors are available only as a 96" Three-Pack - Part Number 99100154.*

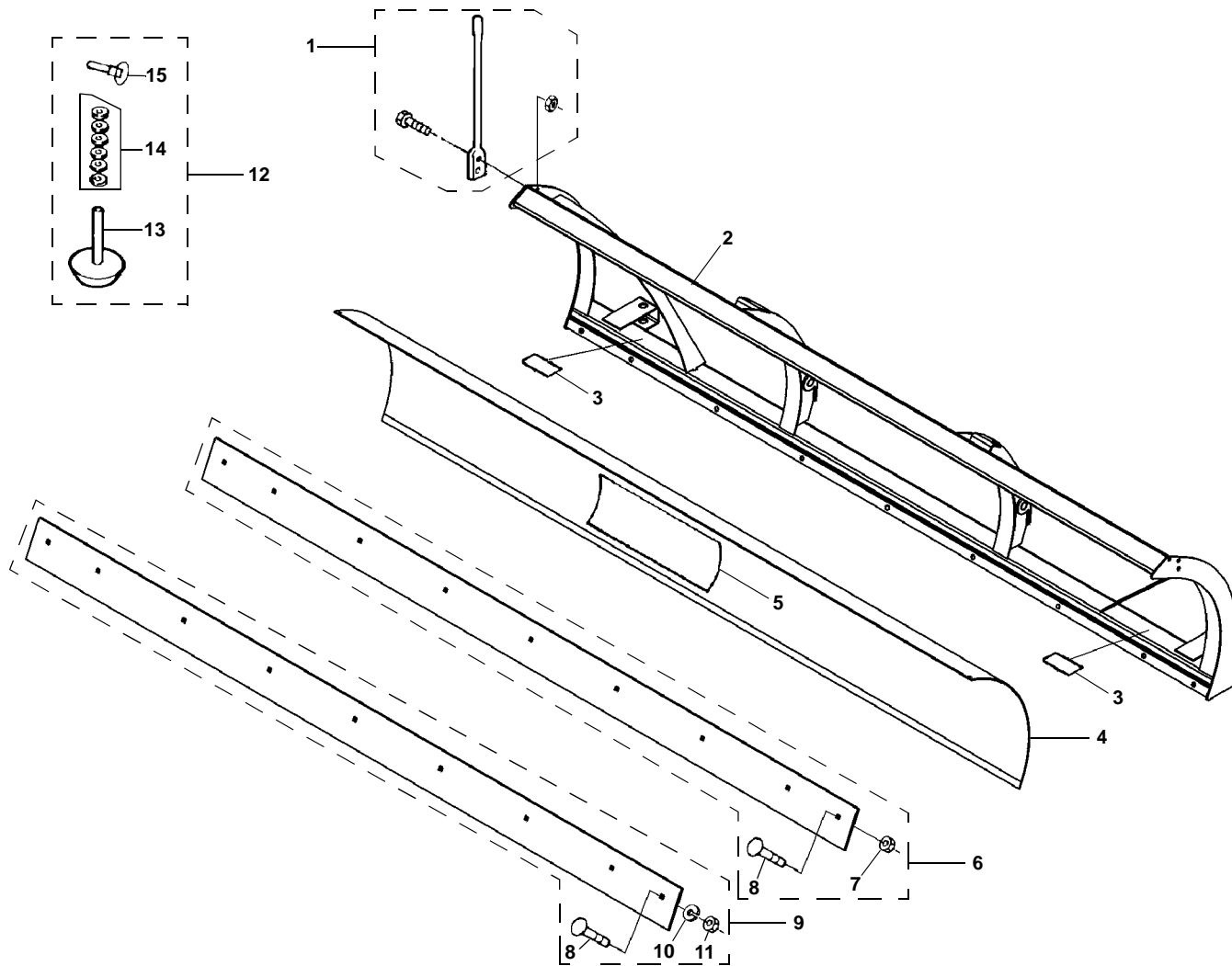
# FRAME - 22SKD



# FRAME - 22SKD

| ITEM | PART NO. | DESCRIPTION   | QTY |
|------|----------|---|-----|
| 1    | 96113728 | Kit, Hose.....  | 1   |
| 2    | 96106322 | Assembly, Hose.....   | 1   |
| 3    |          | Adapter, Skid Steer (see page 51 for applications) .....    | 1   |
| 4    | 96106279 | Roughing Strips, Anti-Slip.....                             | 2   |
| 5    | 98009010 | Bolt, Hex, 1/2"-13 x 1-1/2" .....                           | 4   |
| 6    | 98100176 | Washer, Special Hardened .....                              | 4   |
| 7    | 96102271 | Spacer .....  | 4   |
| 8    | 98009013 | Nut, Nylock, 1/2"-13.....                                   | 6   |
| 9    | 96106194 | Link, Lift.....   | 2   |
| 10   | 97100914 | Decal, Floating Link, Caution .....                         | 2   |
| 11   | 98009085 | Pin, Cotter, 5/32" x 1-1/2" .....                           | 8   |
| 12   | 98009030 | Washer, Flat, 3/4" .....                                    | 5   |
| 13   | 96108103 | Spacer, Lug .....   | 2   |
| 14   | 98100165 | Pin, Clevis, 3/4" x 2-1/2" .....                            | 4   |
| 15   | 98100322 | Pin, Clevis, 1/2" x 2-3/8" .....                            | 4   |
| 16   | 96113764 | Fitting, Orifice (used on left Angle Cylinder only) .....   | 1   |
| 17   | 96100001 | Fitting, Elbow (used on right Angle Cylinder only).....     | 1   |
| 18   | 96110951 | Cylinder, Angle .....                                       | 2   |
| 19   | 96108338 | Kit, Stop, Blade Trip, 22 (Includes 25, 26 & 36.....        | 2   |
| 20   | 96113726 | A-Frame .....   | 1   |
| 21   | 96106391 | Frame, Swing .....  | 1   |
| 22   | 98009005 | Washer, Flat, 1" .....                                      | 4   |
| 23   | 96107710 | Spacer, Swing Cylinder 22 .....                             | 2   |
| 24   |          | End Cap, 3 x 1-1/2" .....                                   | 2   |
| 25   | 98100340 | Cap Screw, Hex, 1/4"-20 x 1-1/2" .....                      | 2   |
| 26   | 98100255 | Nut, Nyloc, 1/4" x 20.....                                  | 2   |
| 27   | 98100324 | Cap Screw, Hex, 3/4"-10 x 6-1/2" .....                      | 1   |
| 28   | 98009078 | Nut, Hex, 5/8"-11 .....                                     | 4   |
| 29   | 96106889 | Spring, Trip .....  | 2   |
| 30   | 98100457 | Eyebolt, 5/8"-11 x 6" .....                                 | 2   |
| 31   | 98100323 | Nut, Hex, 3/4"-10.....                                      | 1   |
| 32   | 97100876 | Decal, Warning, Pinch Point.....                            | 2   |
| 33   | 98009067 | Cap Screw, Hex, 1/4"-20 x 2-1/2" .....                      | 2   |
| 34   | 98100255 | Nut, Nylock, 1/4"-20.....                                   | 2   |
| 35   | 96106275 | Assembly, Cross Over Relief (see page 50 for details) ..... | 1   |
| 36   |          | Cushion/Stop, Blade Trip, 22 Series.....                    | 2   |
| 37   | 98100320 | Pin, Clevis, 3/4" x 1-5/8" .....                            | 2   |

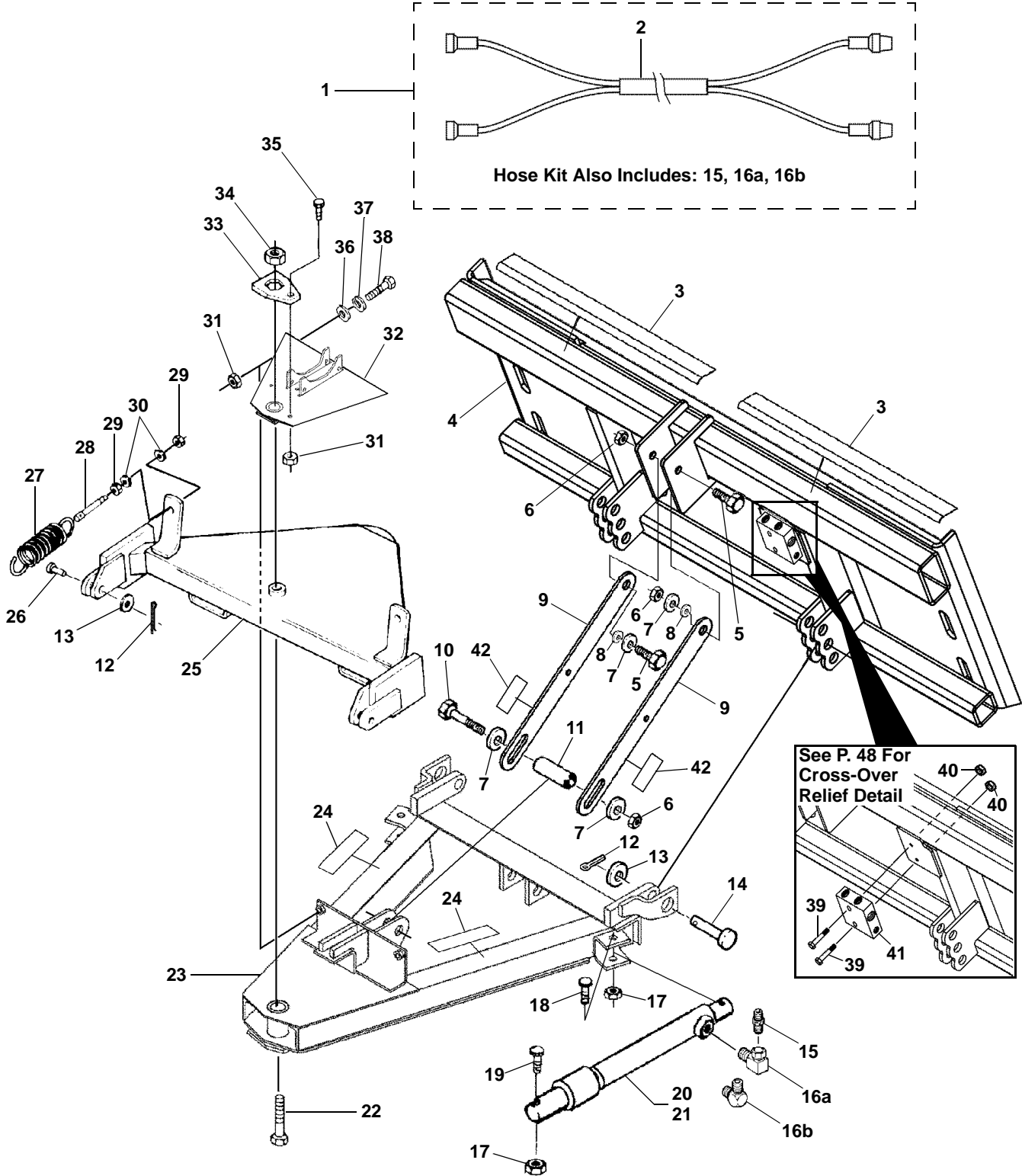
# BLADES - 22SKD



## BLADES - 22SKD

| ITEM | PART NO. | DESCRIPTION   | QTY |
|------|----------|---|-----|
| 1    | 96112352 | Kit, Guide, Blade (includes 2 Guides and Mounting Hardware) ..... | 1   |
| 2    |          | Frame, 72" .....  | 1   |
|      |          | Frame, 80" .....  | 1   |
|      |          | Frame, 90" .....  | 1   |
| 3    | 97100018 | Decal, Warning .....  | 2   |
| 4    | 96107793 | Kit, Skin, Polycarbonate, 72" (includes "Sno-Way" Decal) .....    | 1   |
|      | 96107794 | Kit, Skin, Polycarbonate, 80" (includes "Sno-Way" Decal) .....    | 1   |
|      | 96107795 | Kit, Skin, Polycarbonate, 90" (includes "Sno-Way" Decal) .....    | 1   |
| 5    | 97100911 | Decal, Sno-Way (used with Polycarbonate Blade) .....              | 1   |
| 6    | 96107796 | Kit, Wearstrip, Steel, 72" .....                                  | 1   |
|      | 96107797 | Kit, Wearstrip, Steel, 80" .....                                  | 1   |
|      | 96107798 | Kit, Wearstrip, Steel, 90" .....                                  | 1   |
| 7    | 98009009 | Nut, Hex., Nylock, 3/8"-16.....                                   | 9   |
| 8    | 98009061 | Bolt, Carriage, Gr. 5, 3/8"-16 x 1-1/2" .....                     | 9   |
| 9    | 96108011 | Kit, Wearstrip, Poly, 72" .....                                   | 1   |
|      | 96108012 | Kit, Wearstrip, Poly, 80" .....                                   | 1   |
|      | 96108013 | Kit, Wearstrip, Poly, 90" .....                                   | 1   |
| 10   | 98009008 | Washer, Lock, 3/8" .....  | 9   |
| 11   | 98009077 | Nut, Hex, 3/8"-16 .....   | 9   |
| 12   | 96001191 | Assembly, Shoe .....  | 2   |
| 13   |          | Shoe, Cast, 3/4" Shaft .....                                      | 1   |
| 14   | 98009127 | Washer, Flat, 7/8" .....  | 25  |
| 15   | 98009169 | Pin, Lynch, 1/4" x 1-9/16".....                                   | 1   |
| 16   | 99100490 | Kit, Deflector, Curled (all blades, includes Hardware) .....      | 1   |
| 17   | 96101257 | Hardware Kit, Curled Deflector .....                              | 1   |

# FRAME - 25SKD

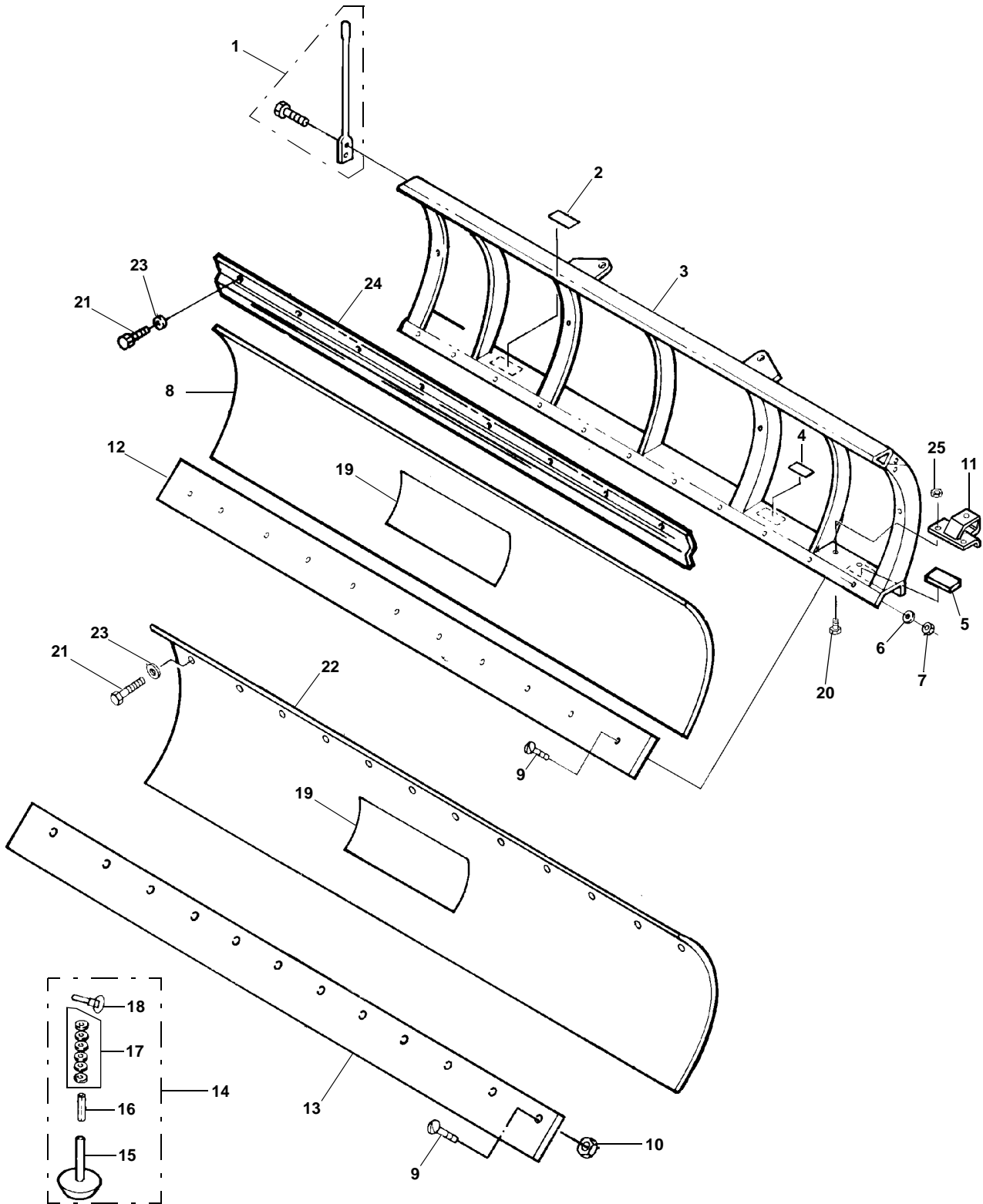




# FRAME - 25SKD

| ITEM | PART NO. | DESCRIPTION  | QTY |
|------|----------|--|-----|
| 1    | 96106217 | Kit, Hose .....  | 1   |
| 2    | 96106322 | Assembly, Hose .....   | 1   |
| 3    | 96106279 | Roughing Strips, Anti-Slip .....                               | 2   |
| 4    |          | Adapter, Skid Steer (see page 51 for applications).....        | 1   |
| 5    | 98009010 | Bolt, Hex, 1/2"-13 x 1-1/2" .....                              | 2   |
| 6    | 98009013 | Nut, Nylock, 1/2"-13 .....                                     | 3   |
| 7    | 98100176 | Washer, Special Hardened .....                                 | 4   |
| 8    | 96100082 | Spacer.....  | 2   |
| 9    | 96106194 | Link, Lift .....   | 2   |
| 10   | 98009036 | Bolt, Hex, 1/2"-13 x 3-1/2" .....                              | 1   |
| 11   | 96100081 | Spacer.....  | 1   |
| 12   | 98009085 | Pin, Cotter, 5/32" x 1-1/2" .....                              | 4   |
| 13   | 98009030 | Washer, Flat, 3/4" .....                                       | 4   |
| 14   | 98100165 | Pin, Clevis.....   | 2   |
| 15   | 96106290 | Fitting (Used on left Angle Cylinder only) .....               | 1   |
| 16a  | 96106289 | Fitting, Orifice Elbow (used on left Angle Cylinder only)..... | 1   |
| 16b  | 96100002 | Fitting, Elbow (used on right Angle Cylinder only) .....       | 1   |
| 17   | 98009038 | Nut, Hex, Nylock, 5/8"-11 .....                                | 4   |
| 18   | 98009042 | Cap Screw, Hex, 5/8"-11 x 3-1/2" .....                         | 2   |
| 19   | 98009197 | Cap Screw, Hex, 5/8"-11 x 6" .....                             | 2   |
| 20   | 96001262 | Cylinder, Angle.....   | 2   |
| 21   | 96107485 | Assembly, Manual Adjust (see page 49 for detail).....          | 2   |
| 22   | 98100004 | Cap Screw, Hex, 1"-14 x 8" .....                               | 1   |
| 23   | 96106610 | A-Frame.....   | 1   |
| 24   | 97100876 | Decal, Warning, Pinch Point .....                              | 2   |
| 25   | 96100058 | Frame, Swing.....  | 1   |
| 26   | 98009175 | Pin, Clevis, 3/4" x 2-1/2" .....                               | 2   |
| 27   | 96001392 | Spring, Trip .....   | 2   |
| 28   | 98009037 | Eyebolt, 5/8"-11 x 6" .....                                    | 2   |
| 29   | 98009078 | Nut, Hex, 5/8"-11.....   | 4   |
| 30   | 98009039 | Washer, Flat, 5/8" .....                                       | 4   |
| 31   | 98009009 | Nut, Hex, Nylock, 3/8"-16.....                                 | 3   |
| 32   | 96106265 | Platform, Swing.....   | 1   |
| 33   | 96100073 | Plate, Lock Nut .....  | 1   |
| 34   | 98100005 | Nut, Hex, 1"-14 .....  | 1   |
| 35   | 98009022 | Cap Screw, Hex, 3/8"-16 x 1" .....                             | 1   |
| 36   | 98009032 | Washer, Flat, 3/8" .....                                       | 2   |
| 37   | 98009008 | Washer, Lock, 3/8" .....                                       | 2   |
| 38   | 98009034 | Cap Screw, Hex, 3/8"-16 x 1-1/4" .....                         | 2   |
| 39   | 98009067 | Cap Screw, Hex, 1/4"-20 x 2-1/2" .....                         | 2   |
| 40   | 98100255 | Nut, Nylock, 1/4"-20.....                                      | 2   |
| 41   | 96106275 | Assembly, Cross-Over Relief (see page 50 for detail).....      | 1   |
| 42   | 97100914 | Decal, Floating Link Caution.....                              | 2   |

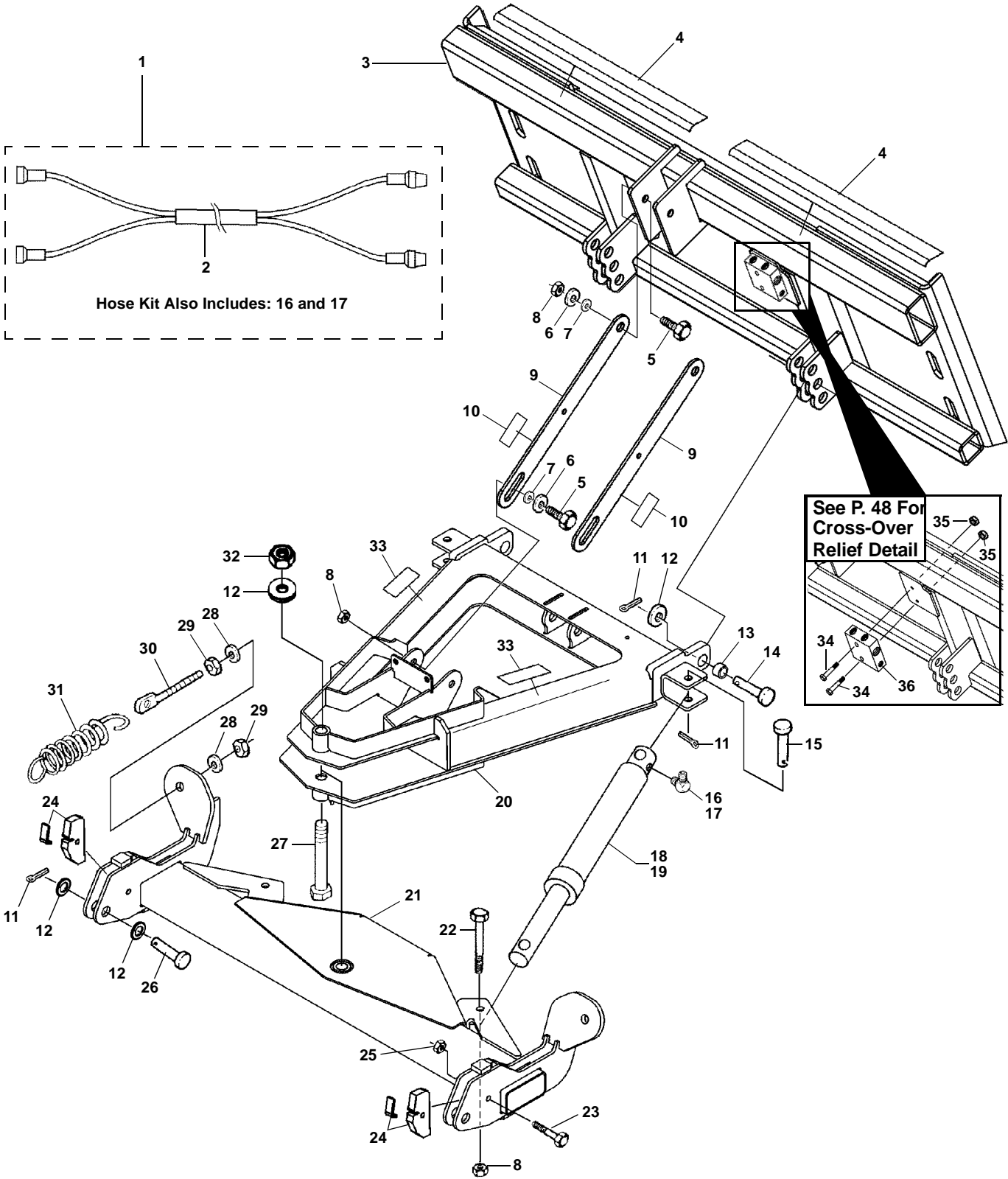
# BLADES - 25SKD



# BLADES - 25SKD

| ITEM | PART NO. | DESCRIPTION   | QTY |
|------|----------|---|-----|
| 1    | 96006002 | Kit, Guide, Blade (includes 2 Guides and Mounting Hardware) .....         | 1   |
| 2    | 97100006 | Decal, Important .....  | 1   |
| 3    |          | Frame, 80" .....  | 1   |
|      |          | Frame, 90" .....  | 1   |
|      |          | Frame, 96" .....  | 1   |
|      |          | Frame, 108" .....   | 1   |
| 4    | 97100001 | Decal, Warning .....  | 1   |
| 5    | 97100018 | Decal, Warning .....  | 2   |
| 6    | 98009012 | Washer, Lock, 1/2" (used with Polymer Wearstrip).....                     | 12  |
| 7    | 98009076 | Nut, Hex., 1/2" - 13 (used with Polymer Wearstrip) .....                  | 12  |
| 8    | 96100817 | Kit, Flat Lexan, 80" (includes "Sno-Way" Decal) .....                     | 1   |
|      | 96100818 | Kit, Flat Lexan, 90" (includes "Sno-Way" Decal) .....                     | 1   |
|      | 96100819 | Kit, Flat Lexan, 96" (includes "Sno-Way" Decal) .....                     | 1   |
|      | 96101839 | Kit, Flat Lexan, 108" (includes "Sno-Way" Decal) .....                    | 1   |
| 9    | 98009099 | Bolt, Carriage, Gr. 5, 1/2"-13 x 2" (used with Polymer Wearstrip) .....   | 2   |
|      | 98009171 | Bolt, Carriage, Gr. 5, 1/2"-13 x 1-1/2" (used with Steel Wearstrip) ..... | 12  |
| 10   | 98009013 | Nut, Hex., Nylock, 1/2" - 13 (used with Steel Wearstrip).....             | 12  |
| 11   | 96101401 | Bracket, Shoe .....   | 2   |
| 12   | 96100234 | Kit, Wearstrip, Polymer, 80" (includes Mounting Hardware).....            | 1   |
| 13   | 96100521 | Kit, Wearstrip, Steel, 80" (includes Mounting Hardware).....              | 1   |
|      | 96100237 | Kit, Wearstrip, Steel, 90" (includes Mounting Hardware).....              | 1   |
|      | 96100239 | Kit, Wearstrip, Steel, 96" (includes Mounting Hardware).....              | 1   |
|      | 96101837 | Kit, Wearstrip, Steel, 108" (includes Mounting Hardware).....             | 1   |
| 14   | 96102542 | Assembly, shoe.....   | 2   |
| 15   |          | Shoe, Cast, 1" Shaft .....  | 1   |
| 16   |          | Spacer, 1".....   | 1   |
| 17   | 98009005 | Washer, Flat, 1" .....  | 13  |
| 18   | 98009169 | Pin, Lynch, 1/4" x 1-9/16".....   | 1   |
| 19   | 97100911 | Decal, Sno-Way (used with Steel Blade) .....                              | 1   |
| 20   | 98009034 | Cap Screw, Hex., 3/8"- 16 x 1-1/4" .....                                  | 8   |
| 21   | 98019176 | Screw, Self Tapping .....   | 8   |
| 22   | 96103048 | Blade Skin, Steel, 80" (Bolt on Style) (includes "Sno-Way" Decal) .....   | 1   |
|      | 96103047 | Blade Skin, Steel, 90" (Bolt on Style) (includes "Sno-Way" Decal) .....   | 1   |
|      | 96103046 | Blade Skin, Steel, 96" (Bolt on Style) (includes "Sno-Way" Decal) .....   | 1   |
|      | 96103045 | Blade Skin, Steel, 108" (Bolt on Style) (includes "Sno-Way" Decal) .....  | 1   |
| 23   | 98019230 | Washer, Flat, 5/16".....  | 8   |
| 24   | 96100265 | Retainer, Blade, 80" .....  | 1   |
|      | 96100266 | Retainer, Blade, 90" .....  | 1   |
|      | 96100267 | Retainer, Blade, 96" .....  | 1   |
|      | 96100752 | Retainer, Blade, 108" .....   | 1   |
| 25   | 98009009 | Nut, Nylock, 3/8"-16 .....  | 8   |

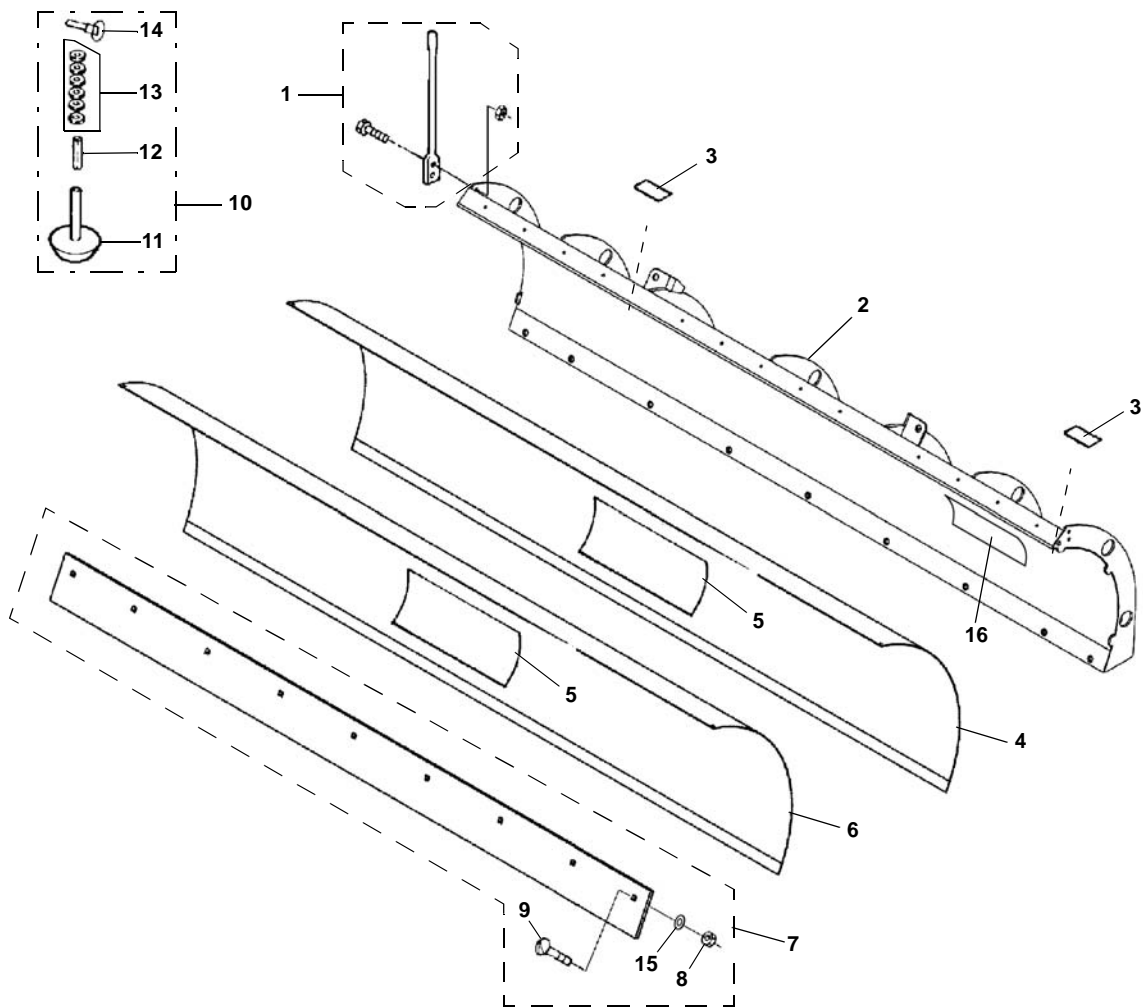
# FRAME - 26SKD



# FRAME - 26SKD

| ITEM | PART NO. | DESCRIPTION  | QTY |
|------|----------|--|-----|
| 1    | 96106218 | Kit, Hose .....  | 1   |
| 2    | 96106322 | Assembly, Hose .....                                       | 1   |
| 3    |          | Adapter, Skid Steer (see page 51 for applications).....    | 1   |
| 4    | 96106279 | Roughing Strips, Anti-Slip .....                           | 2   |
| 5    | 98009010 | Bolt, Hex, 1/2"-13 x 1-1/2" .....                          | 4   |
| 6    | 98100176 | Washer, Special Hardened .....                             | 4   |
| 7    | 96100082 | Spacer.....  | 4   |
| 8    | 98009013 | Nut, Nylock, 1/2"-13 .....                                 | 6   |
| 9    | 96106194 | Link, Lift .....   | 2   |
| 10   | 97100914 | Decal, Floating Link, Caution.....                         | 2   |
| 11   | 98009085 | Pin, Cotter, 5/32" x 1-1/2" .....                          | 6   |
| 12   | 98009030 | Washer, Flat, 3/4" .....                                   | 7   |
| 13   | 96108103 | Spacer, Lug, 26SKD .....                                   | 2   |
| 14   | 98100165 | Pin, Clevis, 3/4" x 2-1/2" .....                           | 4   |
| 15   | 98100314 | Pin, Clevis, 1/2" x 2-7/8" .....                           | 2   |
| 16   | 96106221 | Fitting, Orifice (used on left Angle Cylinder only).....   | 1   |
| 17   | 96100001 | Fitting, Elbow (used on right Angle Cylinder only) .....   | 1   |
| 18   | 96107455 | Cylinder, Angle.....                                       | 2   |
| 19   | 96108100 | Assembly, Manual Adjust (see page 49 for detail).....      | 2   |
| 20   | 96108243 | A-Frame.....   | 1   |
| 21   | 96106148 | Frame, Swing.....  | 1   |
| 22   | 98009036 | Cap Screw, Hex, 1/2"-13 x 3-1/2" .....                     | 2   |
| 23   | 98009134 | Cap Screw, Hex, 3/8"-16 x 2-1/2" .....                     | 2   |
| 24   | 96107395 | Kit, Cushion/Stop, Blade Trip.....                         | 2   |
| 25   | 98009009 | Nut, Nylock, 3/8"-16 .....                                 | 2   |
| 26   | 98100315 | Pin, Clevis, 3/4" x 2" .....                               | 2   |
| 27   | 98100325 | Cap Screw, Hex, 3/4"-10 x 7" .....                         | 1   |
| 28   | 98009039 | Washer, Flat, 5/8" .....                                   | 4   |
| 29   | 98009078 | Nut, Hex, 5/8"-11.....                                     | 4   |
| 30   | 98009037 | Eyebolt, 5/8"-11 x 6" .....                                | 2   |
| 31   | 96001392 | Spring, Trip .....   | 2   |
| 32   | 98100323 | Nut, Hex, 3/4"-10 .....                                    | 1   |
| 33   | 97100876 | Decal, Warning, Pinch Point .....                          | 2   |
| 34   | 98009067 | Cap Screw, Hex, 1/4"-20 x 2-1/2" .....                     | 2   |
| 35   | 98100255 | Nut, Nylock, 1/4"-20.....                                  | 2   |
| 36   | 96106275 | Assembly, Cross Over Relief (see page 50 for detail) ..... | 1   |

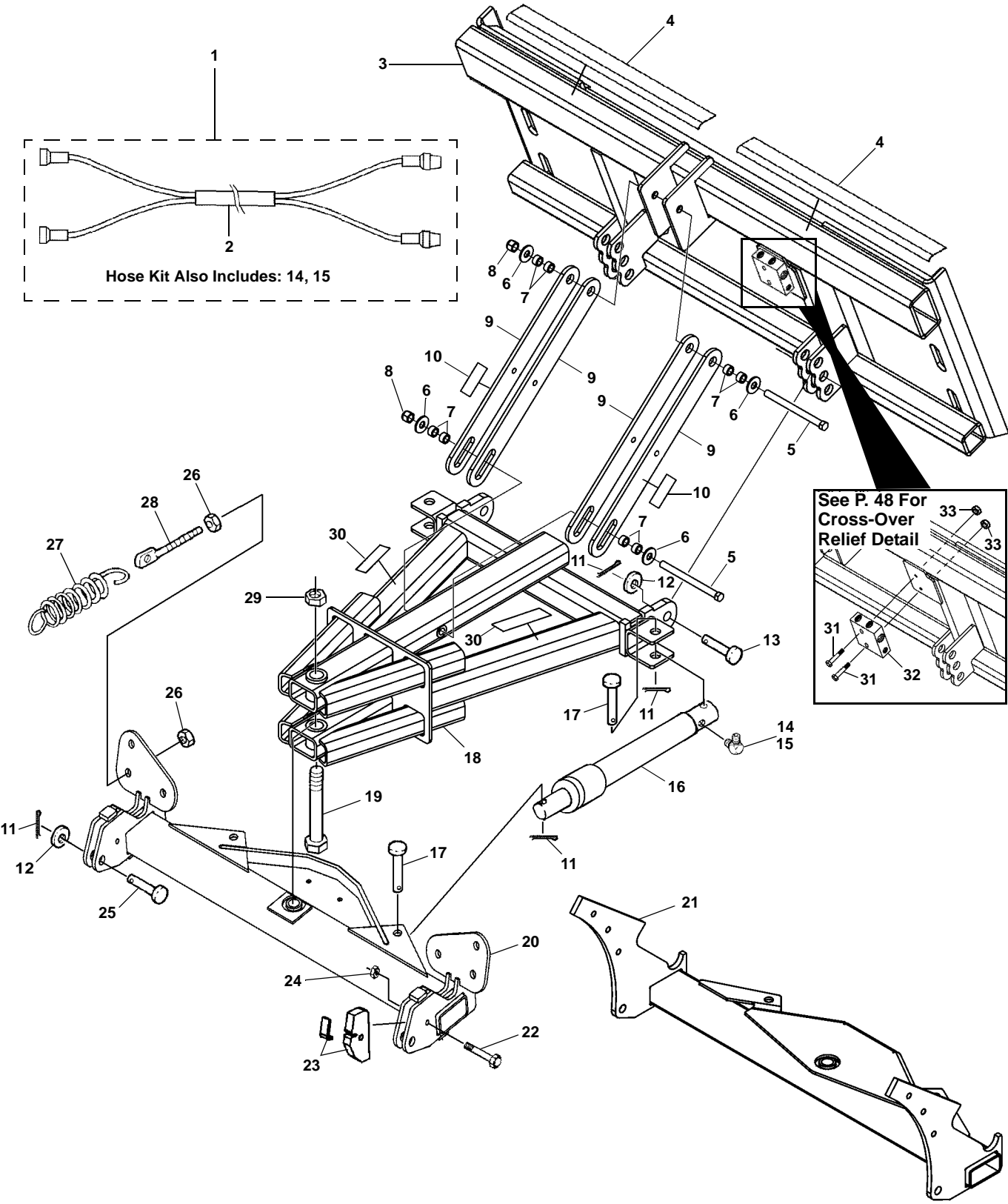
# BLADES - 26SKD



## BLADES - 26SKD

| ITEM | PART NO. | DESCRIPTION   | QTY |
|------|----------|---|-----|
| 1    | 96112352 | Kit, Guide, Blade (Includes 2 Guides and mounting hardware).....                                  | 1   |
| 2    |          | Frame, 80".....   | 1   |
|      |          | Frame, 90" .....  | 1   |
| 3    |          | Decal, Warning .....  | 2   |
| 4    | 96107647 | Kit, Skin, Polycarbonate, 80" (Includes "Sno-Way" decal)<br>(With S.N. Before 2680PCS100400)..... | 1   |
|      | 96107648 | Kit, Skin, Polycarbonate, 90" (Includes "Sno-Way" decal)<br>(With S.N. Before 2690PCS103100)..... | 1   |
| 5    | 97100879 | Decal, Sno-Way.....   | 1   |
| 6    | 96107555 | Blade Skin, Steel, 80" (Includes "Sno-Way" decal)<br>(With S.N. Before 2680MSS100200) .....       | 1   |
|      | 96107557 | Blade Skin, Steel, 90" (Includes "Sno-Way" decal)<br>(With S.N. Before 2690MSS101200) .....       | 1   |
| 7    | 96107649 | Kit, Wearstrip, Steel, 80".....   | 1   |
|      | 96112726 | Kit, Wearstrip, Steel, 90".....   | 1   |
| 8    | 98009013 | Nut, Hex., Nylock, 1/2" - 13.....   | 9   |
| 9    | 98009171 | Bolt, Carriage, Gr. 5, 1/2"-13 x 1-1/2" .....   | 9   |
| 10   | 96102542 | Assembly, Shoe .....  | 2   |
| 11   |          | Shoe, Cast, 1" Shaft .....  | 1   |
| 12   |          | Spacer, 1".....   | 1   |
| 13   | 98009005 | Washer, Flat, 1" .....  | 13  |
| 14   | 98009169 | Pin, Lynch, 1/4" x 1-9/16".....   | 1   |
| 15   | 98100176 | PW, 1/2", Hardened (Used in 96112726 only) .....  | 9   |
| 16   | 97101835 | Decal, Sno-Way.....   | 1   |

# FRAME - 29SKD, 29TSKD, 32SKD & 32CSKD

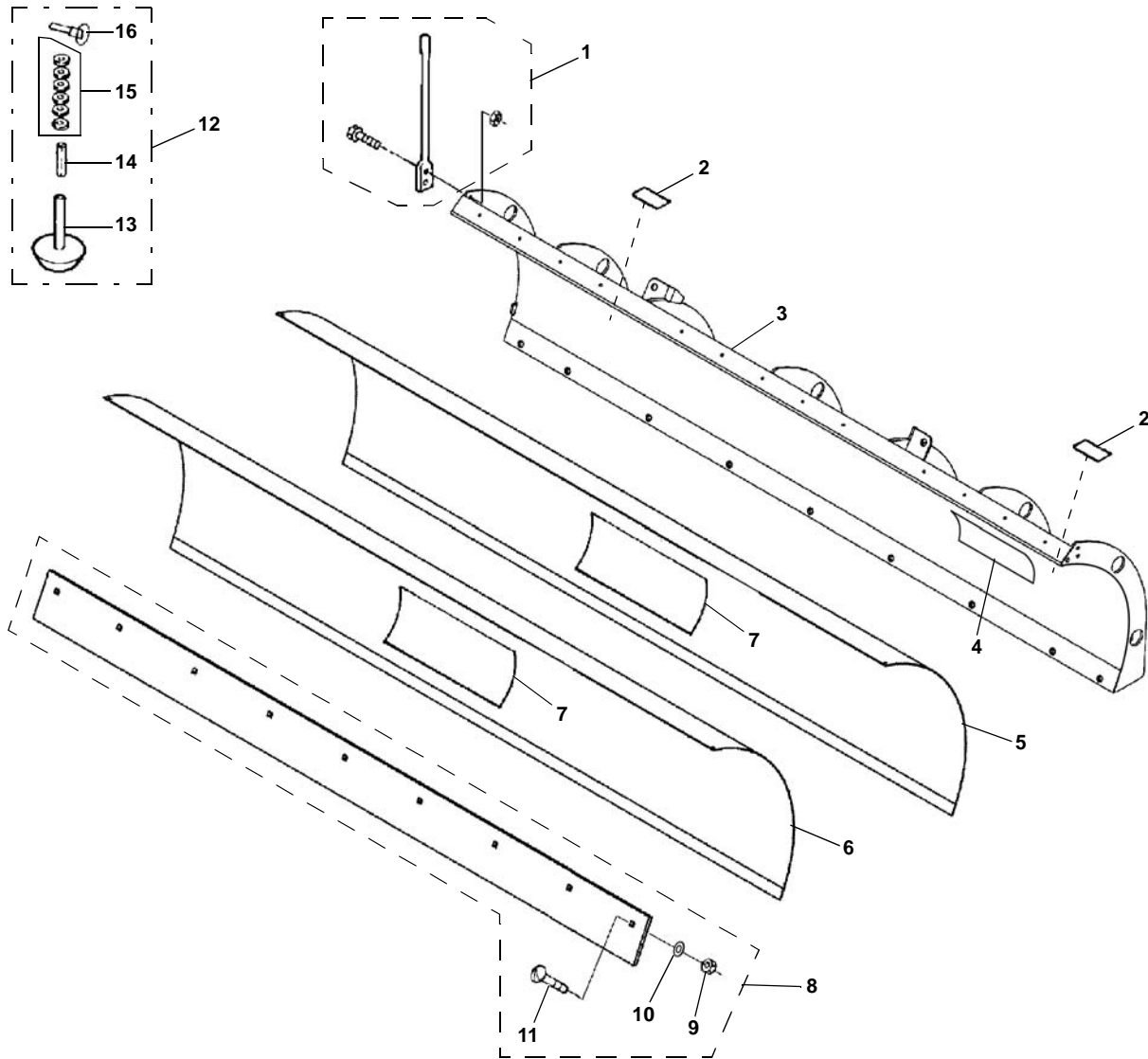




## FRAME - 29SKD, 29TSKD, 32SKD & 32CSKD

| ITEM | PART NO. | DESCRIPTION  | QTY |
|------|----------|--|-----|
| 1    | 96106218 | Kit, Hose .....  | 1   |
| 2    | 96106322 | Assembly, Hose .....                                       | 1   |
| 3    |          | Adapter, Skid Steer (see page 51 for applications).....    | 1   |
| 4    | 96106279 | Roughing Strips, Anti-Slip .....                           | 2   |
| 5    | 98009114 | Bolt, Hex, 1/2"-13 x 6" .....                              | 2   |
| 6    | 98100176 | Washer, Special Hardened .....                             | 4   |
| 7    | 96110365 | Spacer.....  | 8   |
| 8    | 98009013 | Nut, Nylock, 1/2"-13 .....                                 | 4   |
| 9    | 96106194 | Link, Lift .....   | 4   |
| 10   | 97100914 | Decal, Floating Link Caution.....                          | 2   |
| 11   | 98009085 | Pin, Cotter, 5/32" x 1-1/2" .....                          | 8   |
| 12   | 98009030 | Washer, Flat, 3/4" .....                                   | 4   |
| 13   | 98100165 | Pin, Clevis, 3/4" x 2-1/2" .....                           | 2   |
| 14   | 96106221 | Fitting, Orifice (used on left Angle Cylinder only).....   | 1   |
| 15   | 96100001 | Fitting, Elbow (used on right Angle Cylinder only) .....   | 1   |
| 16   | 96106078 | Cylinder, Angle.....                                       | 2   |
| 17   | 98100040 | Pin, Clevis.....   | 4   |
| 18   | 96106257 | A-Frame.....   | 1   |
| 19   | 98100420 | Bolt, Hex, 1"-14 x 8-1/2" .....                            | 1   |
| 20   | 96105457 | Frame, Swing, 29/32SKD .....                               | 1   |
| 21   | 96107106 | Frame, Swing, 29TSKD (see page 35 for detail) .....        | 1   |
| 22   | 98009134 | Bolt, Hex, 3/8"-16 x 2-1/2" .....                          | 2   |
| 23   | 96107395 | Kit, Blade Stop/Cushion, 29SKD.....                        | 2   |
|      | 96107396 | Kit, Blade Stop/Cushion, 32SKD.....                        | 2   |
| 24   | 98009009 | Nut, Nylock, 3/8"-16 .....                                 | 2   |
| 25   | 98100315 | Pin, Clevis, 3/4" x 2" .....                               | 2   |
| 26   | 98009078 | Nut, Hex, 5/8"-11.....                                     | 8   |
| 27   | 96001392 | Spring, Trip .....   | 4   |
| 28   | 98009037 | Eyebolt, 5/8"-11 x 6" .....                                | 4   |
| 29   | 98100294 | Locknut, 1"-14.....  | 1   |
| 30   | 97100876 | Decal, Warning, Pinch Point .....                          | 2   |
| 31   | 98009067 | Cap Screw, Hex, 1/4"-20 x 2-1/2" .....                     | 2   |
| 32   | 96106275 | Assembly, Cross Over Relief (see page 50 for detail) ..... | 1   |
| 33   | 98100255 | Nut, Nylock, 1/4"-20 .....                                 | 2   |

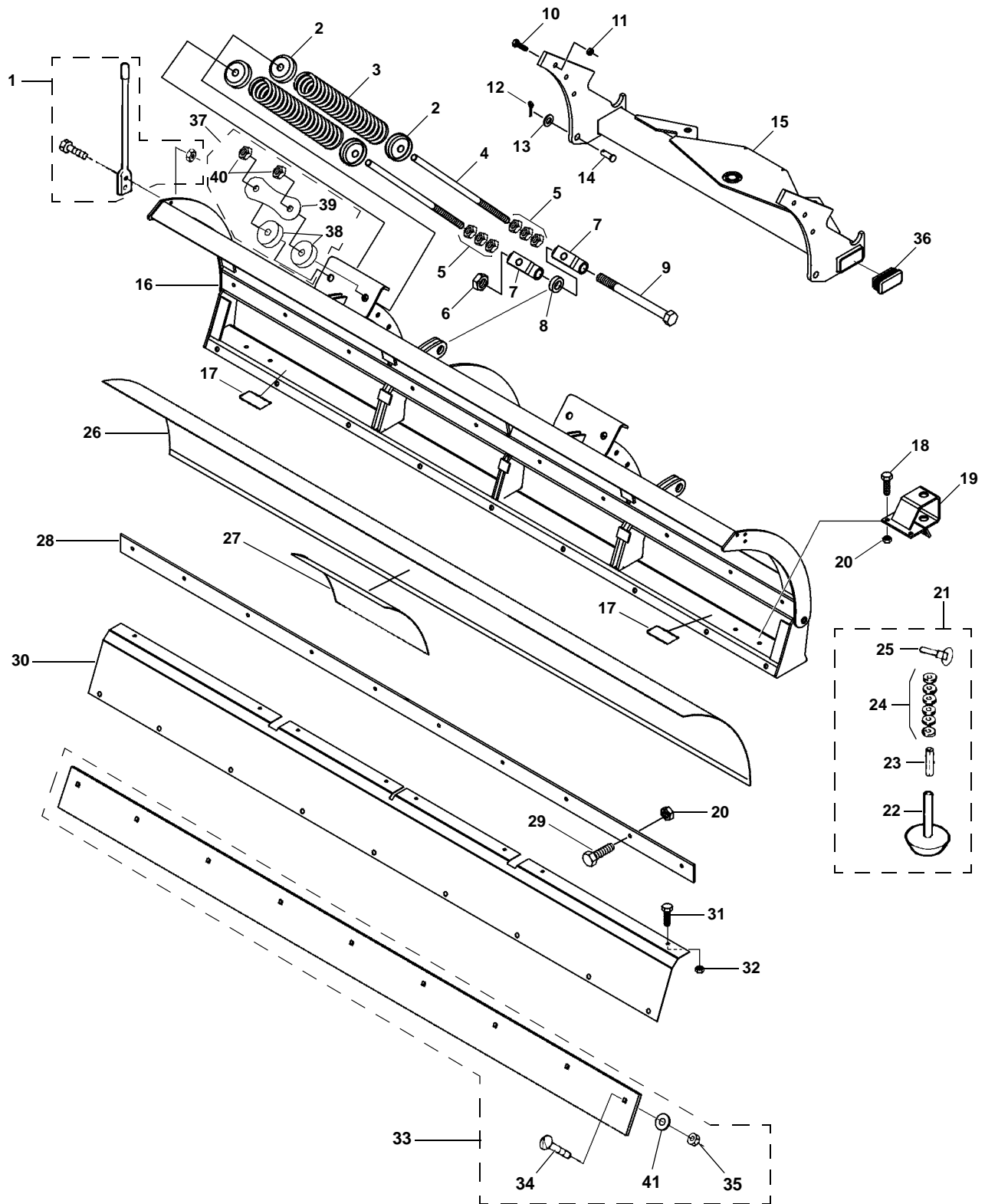
# BLADES - 29SKD



## BLADES - 29SKD

| ITEM | PART NO. | DESCRIPTION  | QTY |
|------|----------|--|-----|
| 1    | 96112352 | Kit, Guide, Blade (includes two Guides and Mounting Hardware)..... | 1   |
| 2    |          | Decal, Warning .....   | 2   |
| 3    |          | Frame, 90" .....   | 1   |
|      |          | Frame, 96" .....   | 1   |
| 4    | 97101835 | Decal, Sno-Way .....   | 1   |
| 5    | 96106663 | Kit, Skin, Polycarbonate, 90" (includes "Sno-Way" Decal) .....     | 1   |
|      | 96106664 | Kit, Skin, Polycarbonate, 96" (includes "Sno-Way" Decal) .....     | 1   |
| 6    | 96106665 | Blade Skin, Steel, 90" (includes "Sno-Way" Decal) .....            | 1   |
|      | 96106666 | Blade Skin, Steel, 96" (includes "Sno-Way" Decal) .....            | 1   |
|      | 96106667 | Blade Skin, SS, 96" (includes "Sno-Way" Decal).....                | 1   |
|      | 96107332 | Blade Skin, SS, 90" (includes "Sno-Way" Decal).....                | 1   |
| 7    | 97100879 | Decal, Sno-Way .....   | 1   |
| 8    | 96112726 | Kit, Wearstrip, Steel, 90", 3/8".....                              | 1   |
|      | 96113054 | Kit, Wearstrip, Steel, 90", 1/2" (Optional Accessory) .....        | 1   |
|      | 96112727 | Kit, Wearstrip, Steel, 96", 3/8".....                              | 1   |
|      | 96113055 | Kit, Wearstrip, Steel, 96", 1/2" (Optional Accessory) .....        | 1   |
| 9    | 98009013 | Nut, Hex., Nylock, 1/2" - 13.....                                  | 9   |
| 10   | 98100176 | PW, 1/2", Hardened .....   | 9   |
| 11   | 98009099 | Bolt, Carriage, 1/2"-13 x 2" .....                                 | 9   |
| 12   | 96102542 | Assembly, Shoe .....   | 2   |
| 13   |          | Shoe, Cast, 1" Shaft .....   | 1   |
| 14   |          | Spacer, 1".....  | 1   |
| 15   | 98009005 | Washer, Flat, 1" .....   | 13  |
| 16   | 98009169 | Pin, Lynch, 1/4" x 1-9/16".....                                    | 1   |

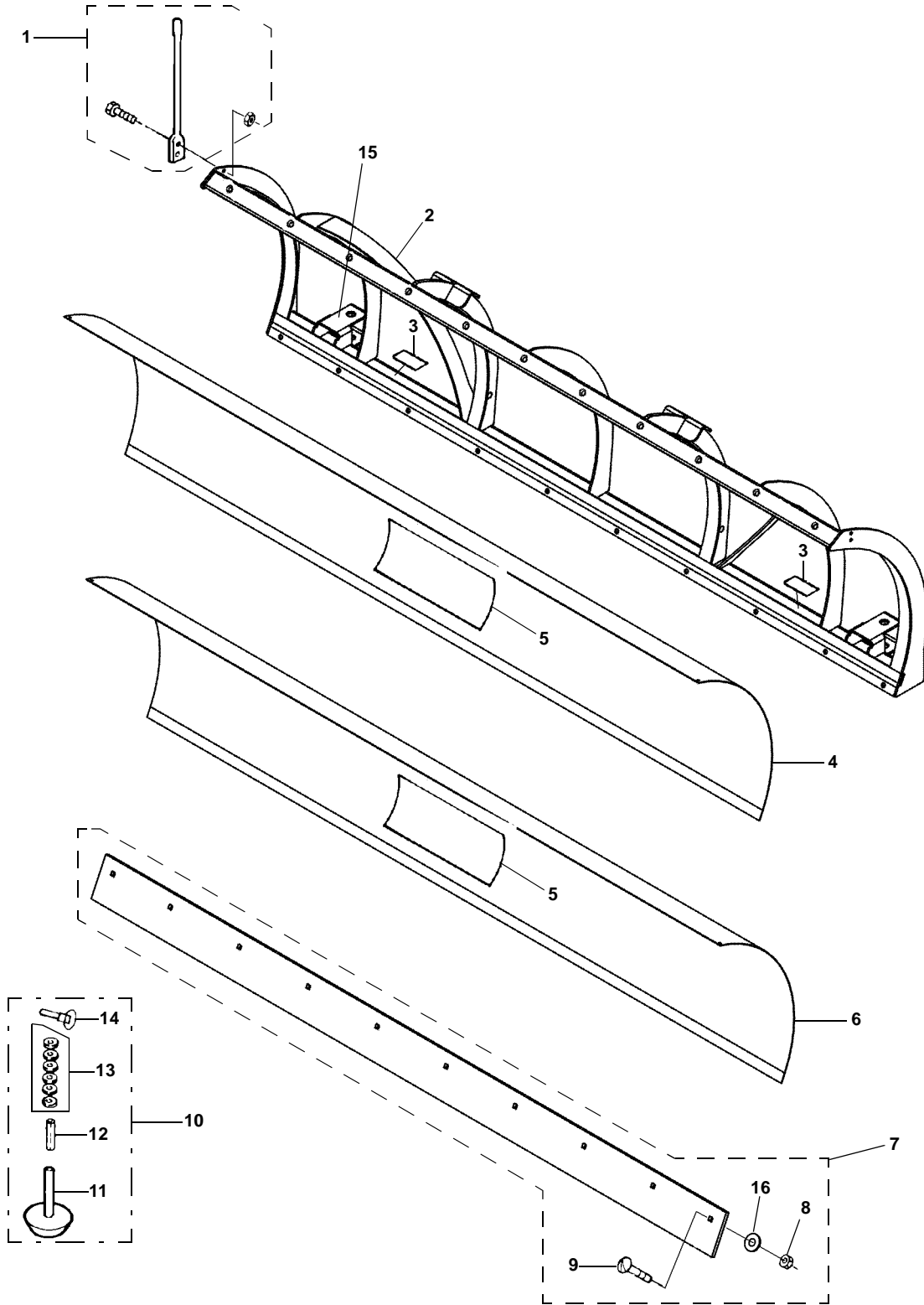
# BLADES - 29TSKD



# BLADES - 29TSKD

| ITEM | PART NO. | DESCRIPTION  | QTY |
|------|----------|--|-----|
| 1    | 96112352 | Kit, Guide, Blade (includes two Guides and Mounting Hardware).....       | 1   |
| 2    | 96107374 | Cup, Formed Out.....   | 8   |
| 3    | 96107208 | Spring, Trip.....  | 4   |
| 4    | 96107673 | Spring Rod, Threaded.....  | 4   |
| 5    | 98009075 | Nut, Hex, 3/4"-12.....   | 12  |
| 6    | 98009053 | Nut, Nylock, 1"-8.....   | 2   |
| 7    | 96107365 | Assembly, Saddle.....  | 4   |
| 8    | 96107221 | Bushing, Shock.....  | 2   |
| 9    | 98100319 | Cap Screw, Hex, 1"-12 x 11-1/2".....                                     | 2   |
| 10   | 98100095 | Cap Screw, Hex, 1/2"-13 x 1-3/4".....                                    | 6   |
| 11   | 98009013 | Nut, Nylock, 1/2"-13.....  | 6   |
| 12   | 98009085 | Pin, Cotter, 5/32" x 1-1/2".....   | 2   |
| 13   | 98009030 | Washer, Flat, 3/4".....  | 2   |
| 14   | 98100165 | Pin, Clevis, 3/4" x 2-1/2".....  | 2   |
| 15   | 96107106 | Frame, Swing.....  | 1   |
| 16   |          | Frame, 90".....  | 1   |
|      |          | Frame, 96".....  | 1   |
| 17   |          | Decal, Warning.....  | 2   |
| 18   | 98009034 | Cap Screw, Hex, 3/8"-16 x 1-1/4".....                                    | 8   |
| 19   | 96107434 | Assembly, Shoe Bracket.....  | 2   |
| 20   | 98009009 | Nut, Nylock, 3/8"-16.....  | 18  |
| 21   | 96102542 | Assembly, Shoe.....  | 2   |
| 22   |          | Shoe, Cast, 1" Shaft.....  | 1   |
| 23   |          | Spacer, 1".....  | 1   |
| 24   | 98009005 | Washer, Flat, 1".....  | 13  |
| 25   | 98009169 | Pin, Lynch, 1/4" x 1-9/16".....  | 1   |
| 26   | 96107935 | Blade Skin, Upper, Polycarbonate, 90" (includes "Sno-Way" Decal).....    | 1   |
|      | 96107938 | Blade Skin, Upper, Polycarbonate, 96" (includes "Sno-Way" Decal).....    | 1   |
|      | 96107936 | Blade Skin, Upper, Steel, 90" (includes "Sno-Way" Decal).....            | 1   |
|      | 96107939 | Blade Skin, Upper, Steel, 96" (includes "Sno-Way" Decal).....            | 1   |
|      | 96107937 | Blade Skin, Upper, SS, 90" (includes "Sno-Way" Decal).....               | 1   |
|      | 96107940 | Blade Skin, Upper, SS, 96" (includes "Sno-Way" Decal).....               | 1   |
| 27   | 97100879 | Decal, Sno-Way.....  | 1   |
| 28   | 96107950 | Retainer, Upper Skin, 90".....   | 1   |
|      | 96107951 | Retainer, Upper Skin, 96".....   | 1   |
| 29   | 98009022 | Cap Screw, Hex Head, 3/8"-16 x 1".....                                   | 10  |
| 30   | 96107503 | Skin, Lower, 90".....  | 1   |
|      | 96107132 | Skin, Lower, 96".....  | 1   |
| 31   | 98100263 | Cap Screw, Hex, 5/16"-18 x 3/4".....                                     | 8   |
| 32   | 98009150 | Nut, Nylock, 5/16"-18.....   | 8   |
| 33   | 96112726 | Kit, Wearstrip, Steel, 90", 3/8".....                                    | 1   |
|      | 96113054 | Kit, Wearstrip, Steel, 90", 1/2" (Optional Accessory).....               | 1   |
|      | 96112727 | Kit, Wearstrip, Steel, 96", 3/8".....                                    | 1   |
|      | 96113055 | Kit, Wearstrip, Steel, 96", 1/2" (Optional Accessory).....               | 1   |
| 34   | 98009099 | Bolt, Carriage, 1/2"-13 x 2".....  | 9   |
| 35   | 98009013 | Nut, Nylock, 1/2"-13.....  | 9   |
| 36   | 96108876 | End Cap, 2" x 4".....  | 2   |
| 37   | 96108499 | Kit, Shock Absorber (includes two item 39 and four Items 38 and 40)..... | 1   |
| 38   | 96108497 | Stop, TEB.....   | 4   |
| 39   | 96108498 | Plate, Bumper, TEB.....  | 2   |
| 40   | 98009003 | Nut, Nylock, 3/4"-10.....  | 4   |
| 41   | 98100176 | PW, 1/2", Hardened.....  | 9   |

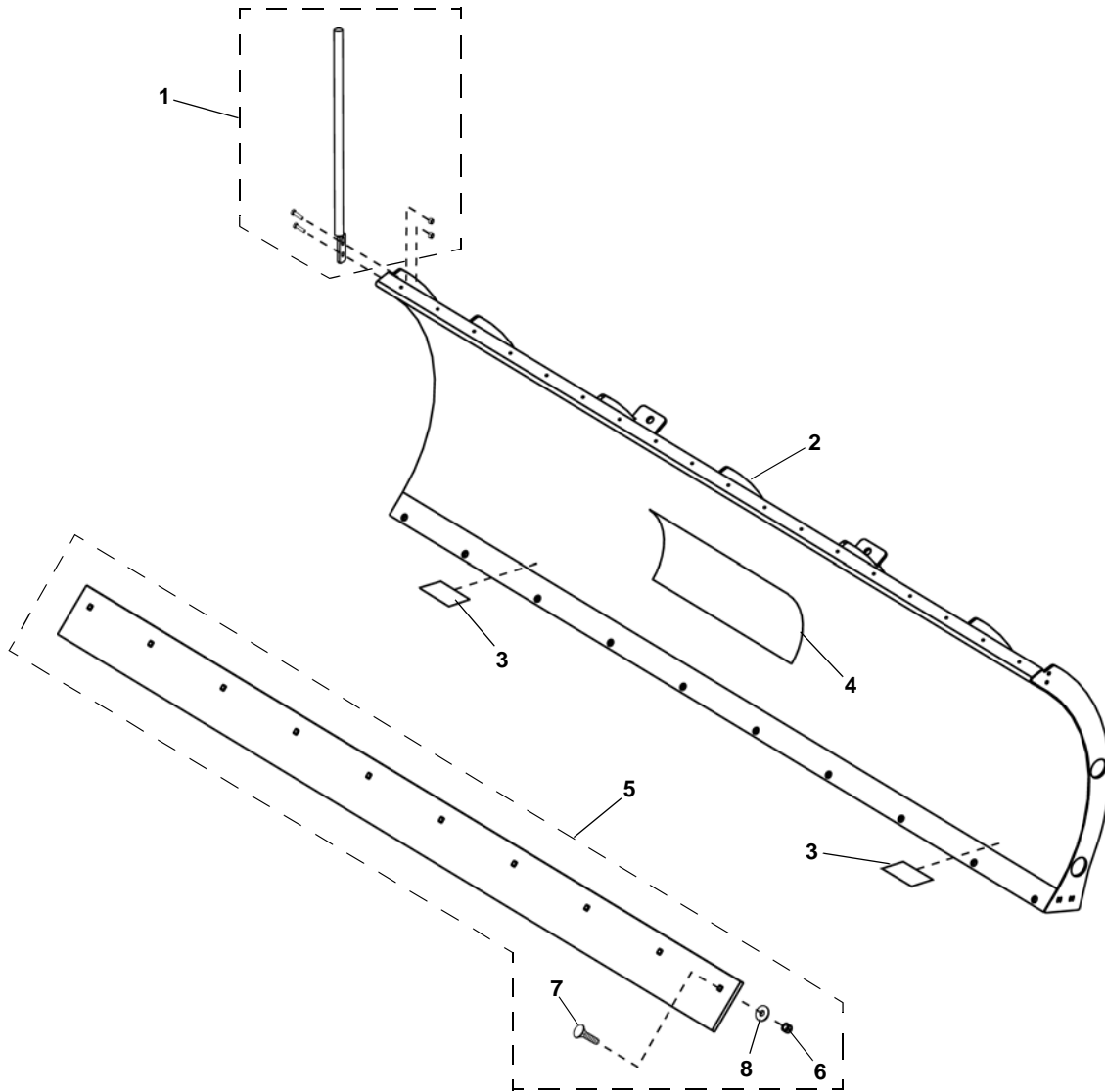
# BLADES - 32SKD



# BLADES - 32SKD

| ITEM | PART NO. | DESCRIPTION  | QTY |
|------|----------|--|-----|
| 1    | 96112352 | Kit, Guide, Blade (includes two Guides and Mounting Hardware)..... | 1   |
| 2    |          | Frame, 102" .....  | 1   |
|      |          | Frame, 108" .....  | 1   |
|      |          | Frame, 120" .....  | 1   |
| 3    |          | Decal, Warning .....   | 2   |
| 4    | 96106356 | Kit, Skin, Polycarbonate, 102" (includes "Sno-Way" Decal) .....    | 1   |
|      | 96106357 | Kit, Skin, Polycarbonate, 108" (includes "Sno-Way" Decal) .....    | 1   |
|      | 96106358 | Kit, Skin, Polycarbonate, 120" (includes "Sno-Way" Decal) .....    | 1   |
| 5    | 97100879 | Decal, Sno-Way .....   | 1   |
| 6    | 96106353 | Blade Skin, Steel, 102" (includes "Sno-Way" Decal) .....           | 1   |
|      | 96106354 | Blade Skin, Steel, 108" (includes "Sno-Way" Decal) .....           | 1   |
|      | 96106355 | Blade Skin, Steel, 120" (includes "Sno-Way" Decal) .....           | 1   |
|      | 96106670 | Blade Skin, SS, 102" (includes "Sno-Way" Decal).....               | 1   |
|      | 96106671 | Blade Skin, SS, 108" (includes "Sno-Way" Decal).....               | 1   |
|      | 96106672 | Blade Skin, SS, 120" (includes "Sno-Way" Decal).....               | 1   |
| 7    | 96112728 | Kit, Wearstrip, Steel, 102" .....                                  | 1   |
|      | 96106308 | Kit, Wearstrip, Steel, 108" .....                                  | 1   |
|      | 96106309 | Kit, Wearstrip, Steel, 120" .....                                  | 1   |
| 8    | 98009013 | Nut, Hex., Nylock, 1/2" - 13.....                                  | 11  |
| 9    | 98009099 | Bolt, Carriage, 1/2"-13 x 2" .....                                 | 11  |
| 10   | 96102542 | Assembly, Shoe .....   | 2   |
| 11   |          | Shoe, Cast, 1" Shaft .....   | 1   |
| 12   |          | Spacer, 1" .....   | 1   |
| 13   | 98009005 | Washer, Flat, 1" .....   | 13  |
| 14   | 98009169 | Pin, Lynch, 1/4" x 1-9/16".....                                    | 1   |
| 15   | 96105410 | Bracket, Shoe, 32 .....  | 2   |
| 16   | 98100176 | PW, 1/2", Hardened (Used In 96112728 Only) .....                   | 11  |

# BLADE - 32CSKD

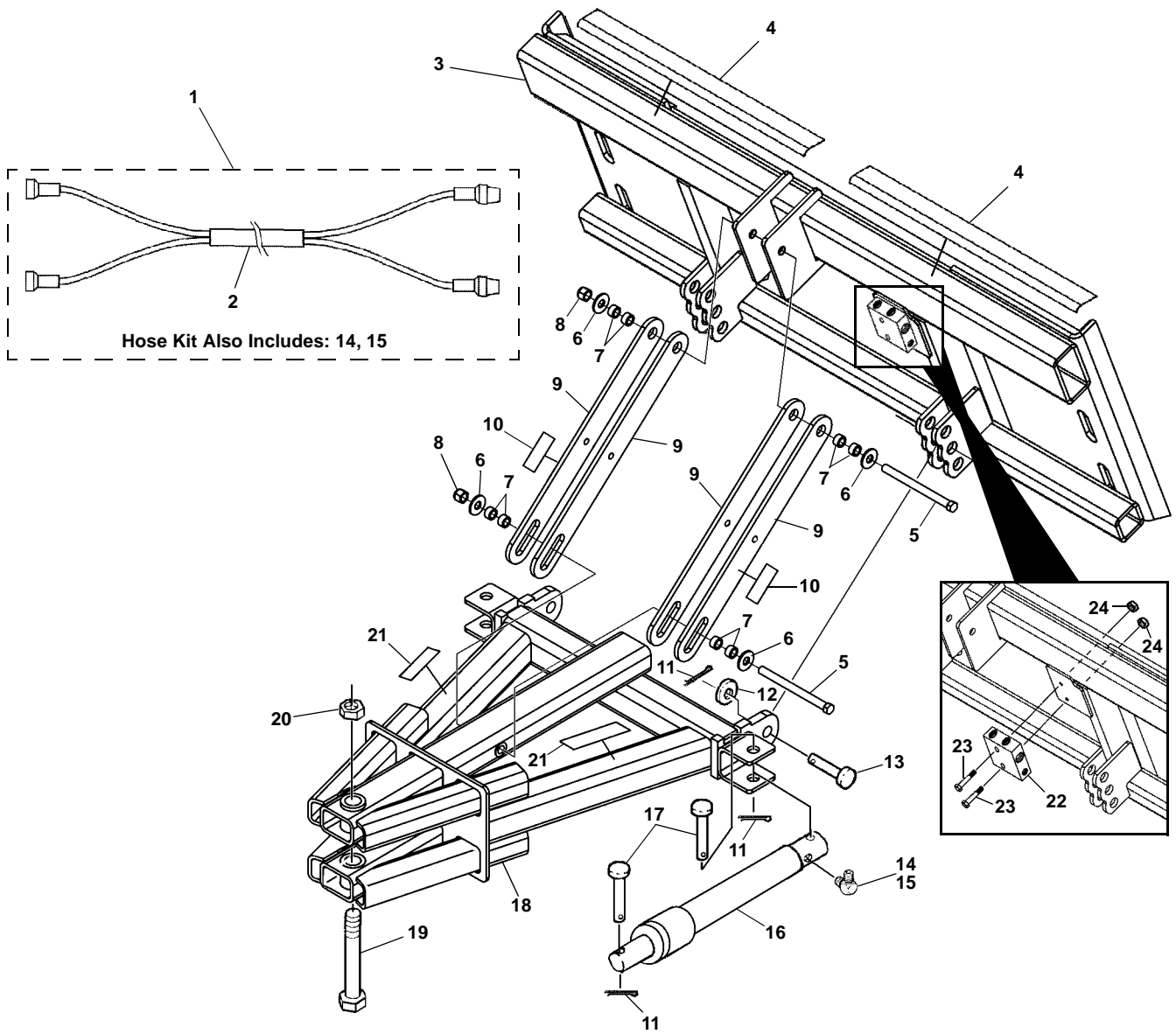




# BLADE - 32CSKD

| ITEM | PART NO. | DESCRIPTION  | QTY |
|------|----------|--|-----|
| 1    | 96112352 | KIT, BLADE GUIDE, YELLOW (INCLUDES MOUNTING HARDWARE)..... | 1   |
| 2    |          | FRAME, 102" .....  | 1   |
|      |          | FRAME, 108" .....  | 1   |
|      |          | FRAME, 120" .....  | 1   |
| 3    |          | DECAL, WARNING .....                                       | 2   |
| 4    | 97101835 | DECAL, SNOWAY .....  | 1   |
| 5    | 96112728 | KIT, WEARSTRIP, 102" .....                                 | 1   |
|      | 96106308 | KIT, WEARSTRIP, 108" .....                                 | 1   |
|      | 96106309 | KIT, WEARSTRIP, 120" .....                                 | 1   |
| 6    | 98009013 | NUT, HEX, NYLOCK, 1/2"-13.....                             | 11  |
| 7    | 98009099 | BOLT, CARRIAGE, 1/2"-13 X 2".....                          | 11  |
| 8    | 98100176 | PW, 1/2", HARDENED (USED IN 96112728 ONLY).....            | 11  |

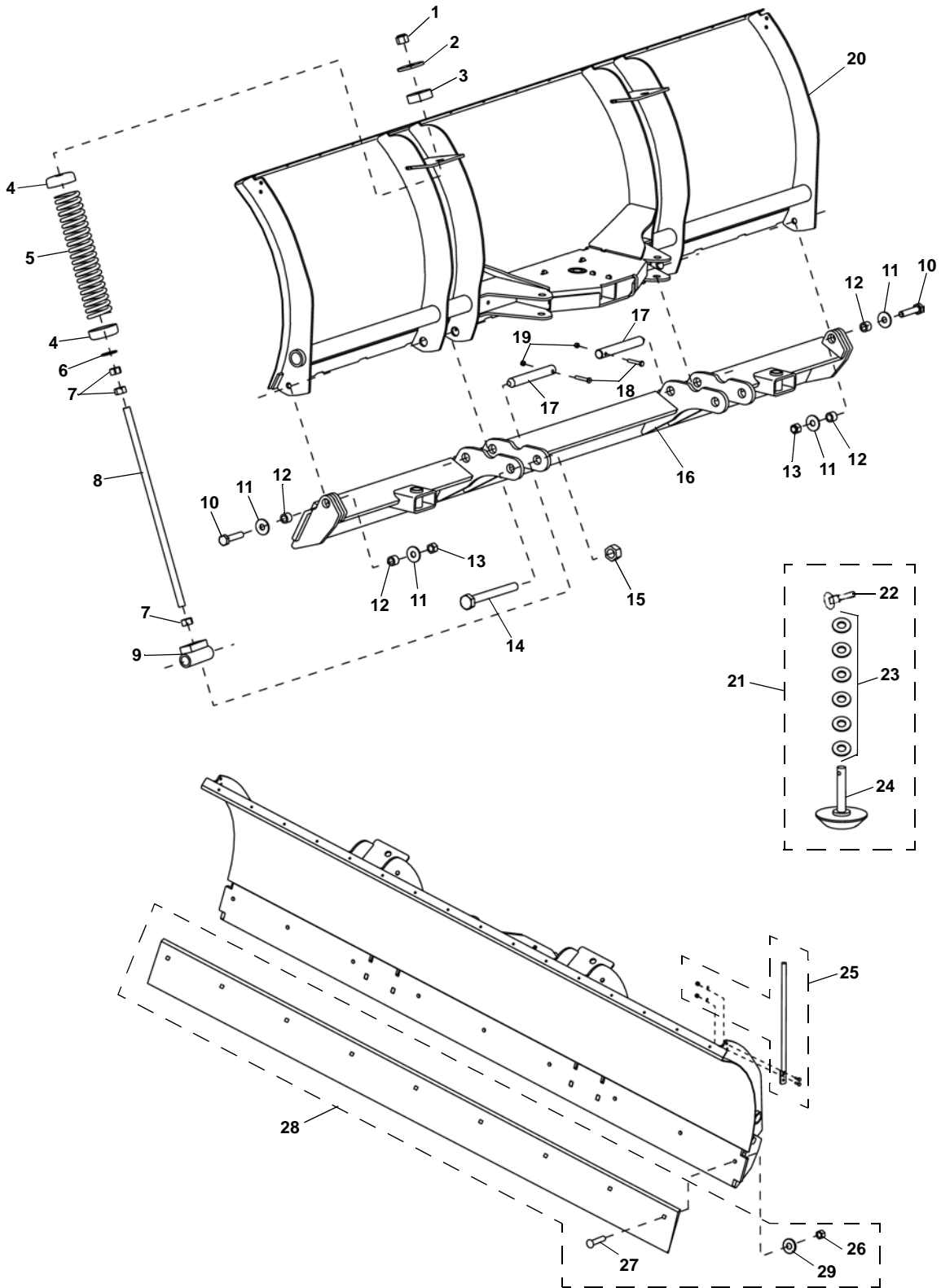
# FRAME - 29THDSKD



# FRAME - 29THDSKD

| ITEM | PART NO. | DESCRIPTION  | QTY |
|------|----------|--|-----|
| 1    | 96106218 | Kit, Hose .....  | 1   |
| 2    | 96106322 | Assembly, Hose .....                                       | 1   |
| 3    |          | Adapter, Skid Steer (see page 51 for applications) .....   | 1   |
| 4    | 96106279 | Roughing Strips, Anti-Slip .....                           | 2   |
| 5    | 98009114 | Bolt, Hex, 1/2"-13 x 6" .....                              | 2   |
| 6    | 98100176 | Washer, Special Hardened .....                             | 4   |
| 7    | 96110365 | Spacer .....   | 8   |
| 8    | 98009013 | Nut, Nylock, 1/2"-13 .....                                 | 4   |
| 9    | 96106194 | Link, Lift .....   | 4   |
| 10   | 97100914 | Decal, Floating Link Caution .....                         | 2   |
| 11   | 98009085 | Pin, Cotter, 5/32" x 1-1/2" .....                          | 8   |
| 12   | 98009030 | Washer, Flat, 3/4" .....                                   | 4   |
| 13   | 98100165 | Pin, Clevis, 3/4" x 2-1/2" .....                           | 2   |
| 14   | 96106221 | Fitting, Orifice (used on left Angle Cylinder only) .....  | 1   |
| 15   | 96100001 | Fitting, Elbow (used on right Angle Cylinder only) .....   | 1   |
| 16   | 96106078 | Cylinder, Angle .....                                      | 2   |
| 17   | 98100040 | Pin, Clevis .....  | 4   |
| 18   | 96106257 | A-Frame .....  | 1   |
| 19   | 98100420 | Bolt, Hex, 1"-14 x 8-1/2" .....                            | 1   |
| 20   | 98100294 | Locknut, 1"-14 .....                                       | 1   |
| 21   | 97100876 | Decal, Warning, Pinch Point .....                          | 2   |
| 22   | 96106275 | Assembly, Cross Over Relief (see page 50 for detail) ..... | 1   |
| 23   | 98009067 | Cap Screw, Hex, 1/4"-20 x 2-1/2" .....                     | 2   |
| 24   | 98100255 | Nut, Nylock, 1/4"-20 .....                                 | 2   |

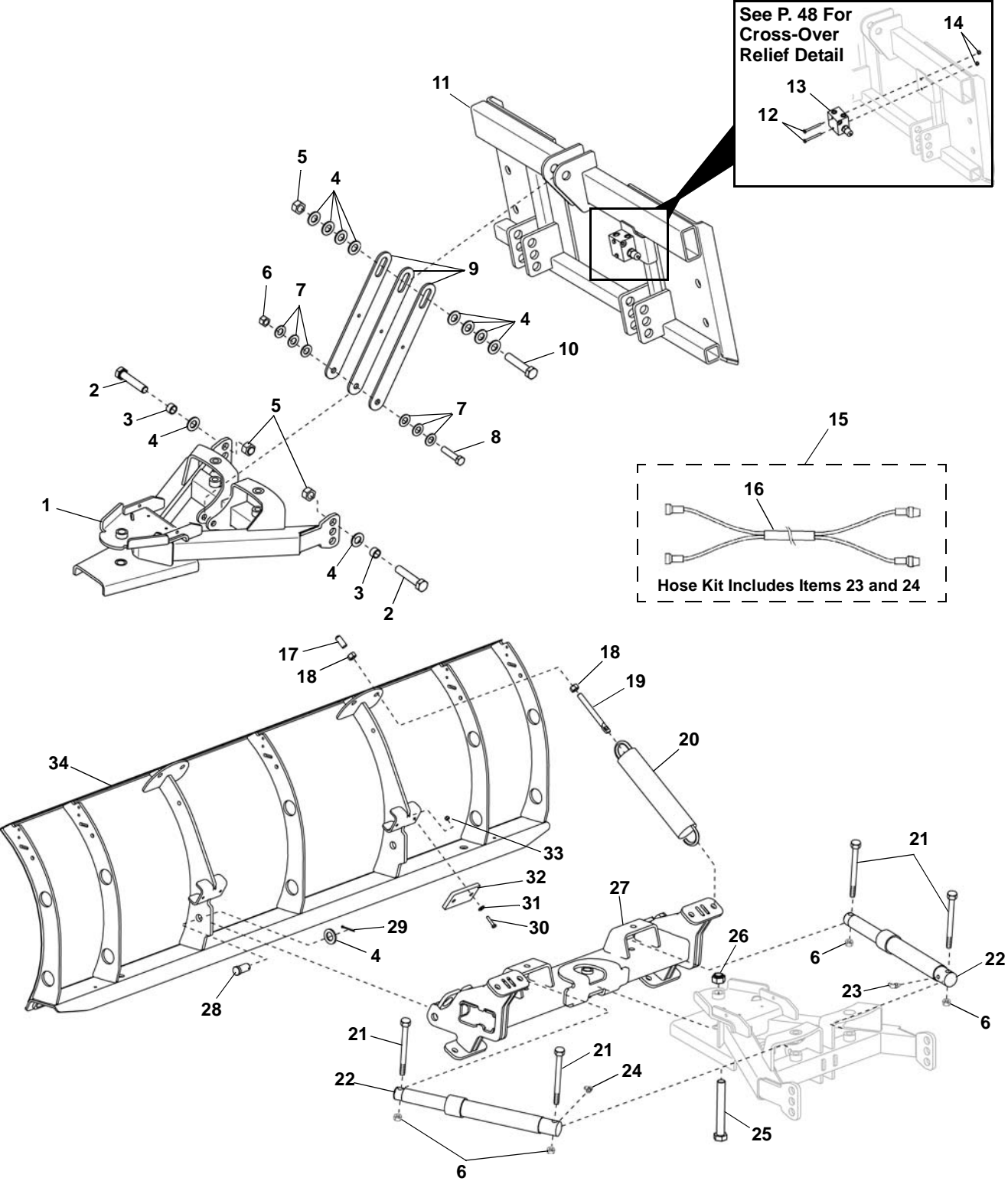
# BLADES - 29THDSKD SERIES



# BLADES - 29THDSKD SERIES

| ITEM | PART NO. | DESCRIPTION   | QTY |
|------|----------|---|-----|
| 1    | 98009003 | Locknut, 3/4"-10, Nylon Insert.....                                     | 2   |
| 2    | 96114677 | Plate, Bumper Stop.....   | 2   |
| 3    | 96108497 | Stop, TEB.....  | 2   |
| 4    | 96107374 | Cup, Formed.....  | 4   |
| 5    | 97107208 | Spring, Trip, 29THD.....  | 2   |
| 6    | 98009030 | Washer, Flat, 3/4".....   | 2   |
| 7    | 98009075 | Nut, Hex, 3/4".....   | 6   |
| 8    | 96107673 | Rod, Threaded.....  | 2   |
| 9    | 96107365 | Saddle Weldment.....  | 2   |
| 10   | 98009217 | Cap Screw, Hex, 5/8"-11 x 3".....                                       | 2   |
| 11   | 98009039 | Washer, Flat, 5/8".....   | 4   |
| 12   | 96114723 | Bushing, 29THD.....   | 4   |
| 13   | 98009038 | Locknut, 5/8"-11, Nylon Insert.....                                     | 4   |
| 14   | 98100474 | Cap Screw, Hex, 1"-8 x 7".....  | 2   |
| 15   | 98009053 | Locknut, 1"-8, Nylon Insert.....  | 2   |
| 16   |          | Wear Strip Weldment, 90", 29THD.....                                    | 1   |
|      |          | Wear Strip Weldment, 96", 29THD.....                                    | 1   |
| 17   | 96114812 | Pin, Main Trip.....   | 2   |
| 18   | 98100115 | Cap Screw, Hex, SS, 5/16"-18 x 1-3/4".....                              | 2   |
| 19   | 98100118 | Locknut, 5/16"-18, Nylon Insert, SS.....                                | 2   |
| 20   |          | Blade, 90", 29THD.....  | 1   |
|      |          | Blade, 96", 29THD.....  | 1   |
| 21   | 96114885 | Assembly, Shoe, 29THD.....  | 2   |
| 22   |          | Pin, Lynch, 1/4" x 1-3/4".....  | 2   |
| 23   |          | Washer, Flat, 1".....   | 12  |
| 24   |          | Shoe, Cast, 1" Shaft.....   | 2   |
| 25   | 96112352 | Kit, Blade Guide, Yellow (Includes 2 Guides and Mounting Hardware)..... | 1   |
| 26   | 98009013 | Locknut, 1/2"-13, Nylon Insert.....                                     | 9   |
| 27   | 98009099 | Carriage Bolt, 1/2"-13 x 2".....  | 9   |
| 28   | 96112726 | Kit, Wearstrip, Steel, 90", 3/8".....                                   | 1   |
|      | 96113054 | Kit, Wearstrip, Steel, 90", 1/2" (Optional Accessory).....              | 1   |
|      | 96112727 | Kit, Wearstrip, Steel, 96", 3/8".....                                   | 1   |
|      | 96113055 | Kit, Wearstrip, Steel, 96", 1/2" (Optional Accessory).....              | 1   |
| 29   | 98100176 | PW, 1/2", Hardened.....   | 9   |

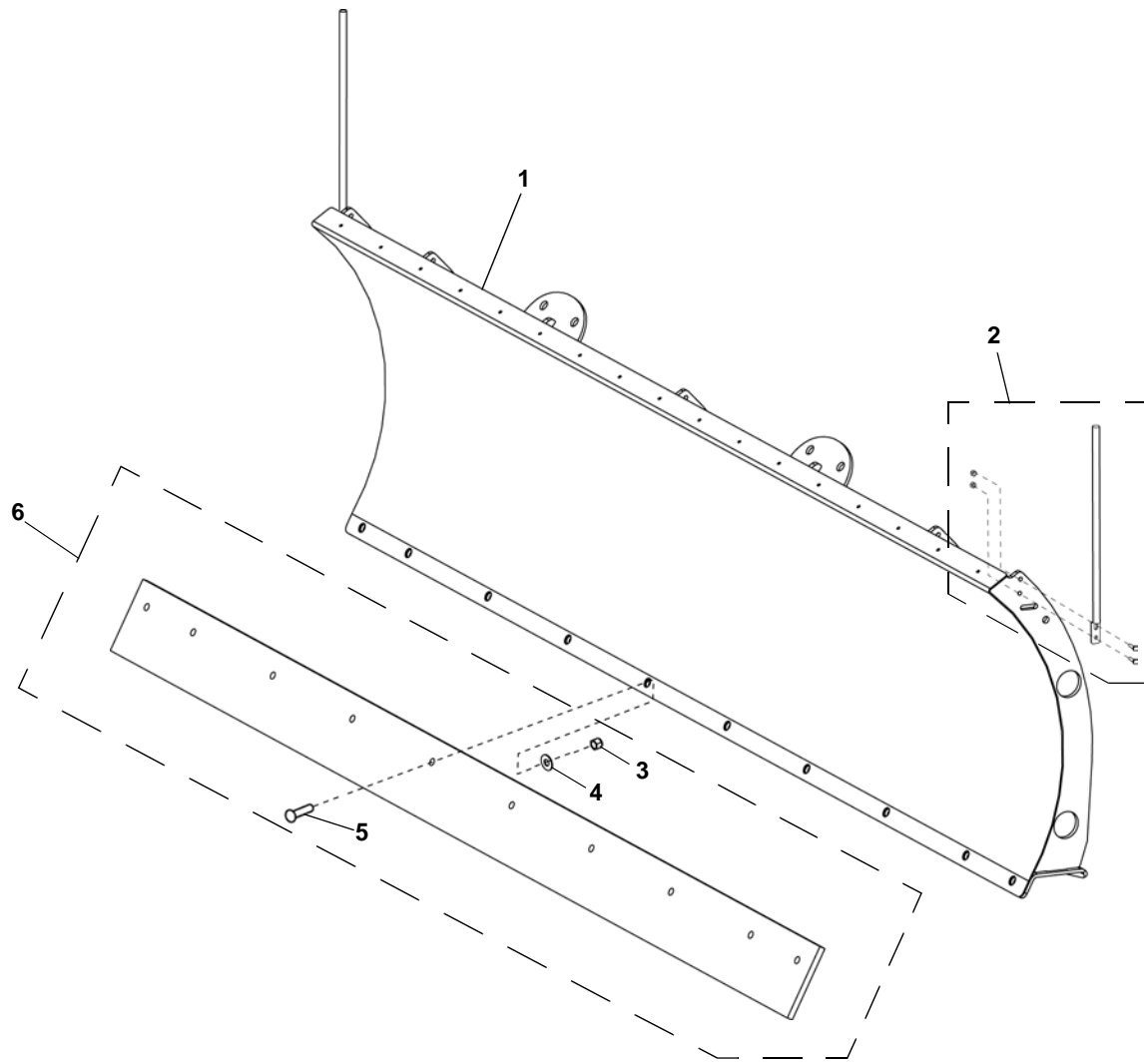
# FRAME - MBCSKD



# FRAME - MBCSKD

| ITEM | PART NO. | DESCRIPTION   | QTY |
|------|----------|---|-----|
| 1    | 96112780 | Weldment, A-frame, MBC.....                           | 1   |
| 2    | 98100448 | Capscrew, 1.0"-8 X 5", GR.8 .....                     | 2   |
| 3    | 96101465 | Spacer.....   | 2   |
| 4    | 98009005 | Flat Washer, 1" .....                                 | 12  |
| 5    | 98009053 | Locknut, 1"-8, Nylon Insert .....                     | 3   |
| 6    | 98009003 | Locknut, 3/4"-10, Nylon Insert .....                  | 5   |
| 7    | 98009030 | Flat Washer, 3/4" .....                               | 6   |
| 8    | 98009056 | Capscrew, 3/4"-10 X 3.5".....                         | 1   |
| 9    | 96113115 | Plate, Link, MBC SKD.....                             | 3   |
| 10   | 98100448 | Capscrew, 1.0"-8 X 5", GR.8 .....                     | 1   |
| 11   | 96111532 | Assembly, Case Mount, MBVSKD.....                     | 1   |
| 12   | 98009067 | Capscrew, 1/4"-20 X 2.5".....                         | 2   |
| 13   | 96106275 | Cross Over Relief Valve (includes Relief Valve) ..... | 1   |
| 14   | 98100255 | Locknut, 1/4"-20.....                                 | 2   |
| 15   | 96106218 | Kit, Hose .....                                       | 1   |
| 16   | 96106322 | Assembly, Hose .....                                  |     |
| 17   | 96112336 | Protective Cap, Eye Bolt.....                         | 2   |
| 18   | 98009078 | Nut, 5/8"-11 .....                                    | 4   |
| 19   | 96102781 | Eye Bolt, 5/8"-11 X 4.5" .....                        | 2   |
| 20   | 96001392 | Spring, Trip .....                                    | 2   |
| 21   | 98100468 | Capscrew, 3/4"-10 x 8", GR. 8 .....                   | 4   |
| 22   | 96112184 | Cylinder, Swing, 1-1/2" X 11", MBC .....              | 2   |
| 23   | 96100001 | Fitting, Elbow, 90° .....                             | 1   |
| 24   | 96106221 | Fitting, Oriface, 32SS, JIC/SAE .....                 | 1   |
| 25   | 98100006 | Capscrew, 1"-14 X 7-1/2", GR 8 .....                  | 1   |
| 26   | 98100294 | Locknut, 1.00"-14.....                                | 1   |
| 27   | 96110192 | Weldment, Swing Frame, MBC .....                      | 1   |
| 28   | 98100433 | Pin, 1" X 2", GR. 5 .....                             | 2   |
| 29   | 98100452 | Cotter Pin, 5/32" X 1-3/4".....                       | 2   |
| 30   | 98009023 | Capscrew, 5/16"-18 X 1.5", GR. 8 .....                | 4   |
| 31   | 98009230 | Flat Washer, 5/16" .....                              | 4   |
| 32   | 96112439 | Kit, Stop Blade (Includes Items 30, 31, 32, 33).....  | 1   |
| 33   | 98009150 | Locknut, 5/16"-18, Nylon Insert .....                 | 4   |
| 34   | 96112200 | Weldment, Blade Frame, MBC, 102".....                 | 1   |

# BLADE - MBCSKD

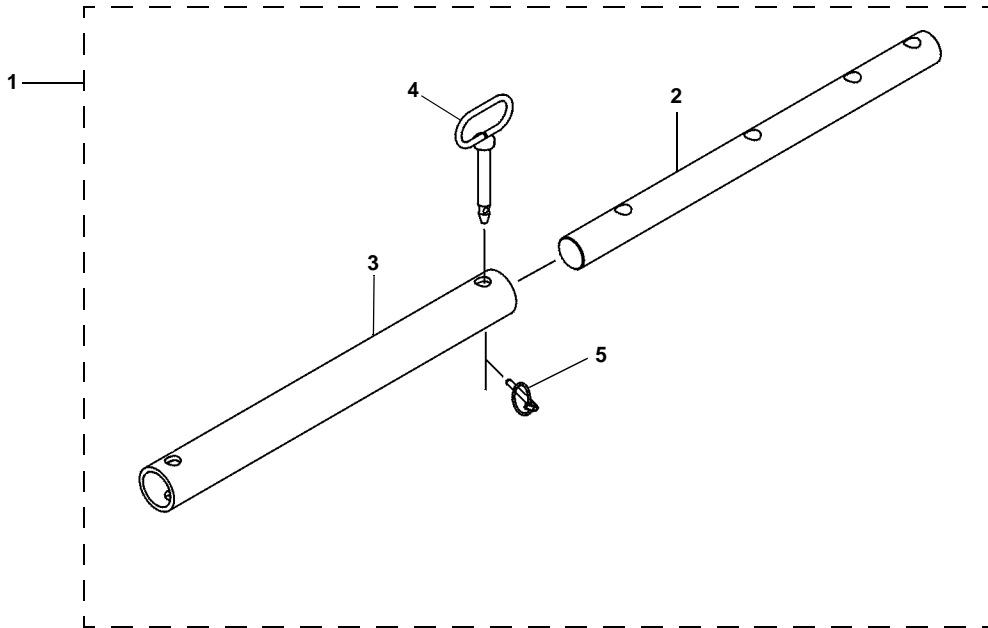




# BLADE - MBCSKD

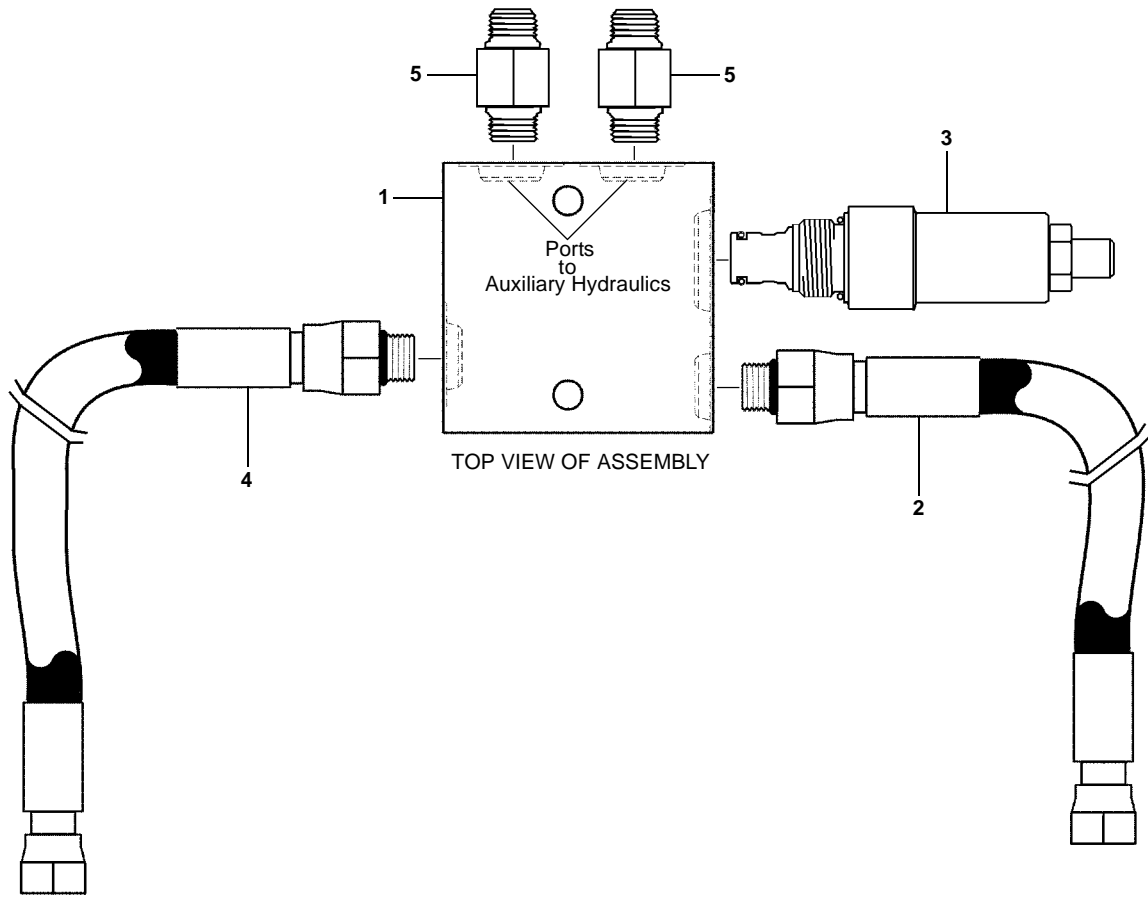
| ITEM | PART NO. | DESCRIPTION   | QTY |
|------|----------|---|-----|
| 1    |          | Weldment, Blade Frame, MBC, 102" .....                  | 1   |
| 2    | 96112352 | Kit, Blade Guide - Yellow .....                         | 2   |
|      |          | Capscrew, 5/16-18 X 1" SS (Included With Item #2) ..... | 2   |
|      |          | Locknut, 5/16"-18, SS (Included With Item #2).....      | 2   |
| 3    | 98009013 | Locknut, 1/2-13, Nylon Insert.....                      | 10  |
| 4    | 97100176 | Flat Washer, 1/2" .....                                 | 10  |
| 5    | 98009099 | CB, 1/2"-13 X 2" .....                                  | 10  |
| 6    | 96112728 | Kit, Wearstrip, MBC, 102" (Includes Items #3-5) .....   | 1   |

# MANUAL ADJUST ANGLING ASSEMBLY 18SKD, 25SKD & 26SKD



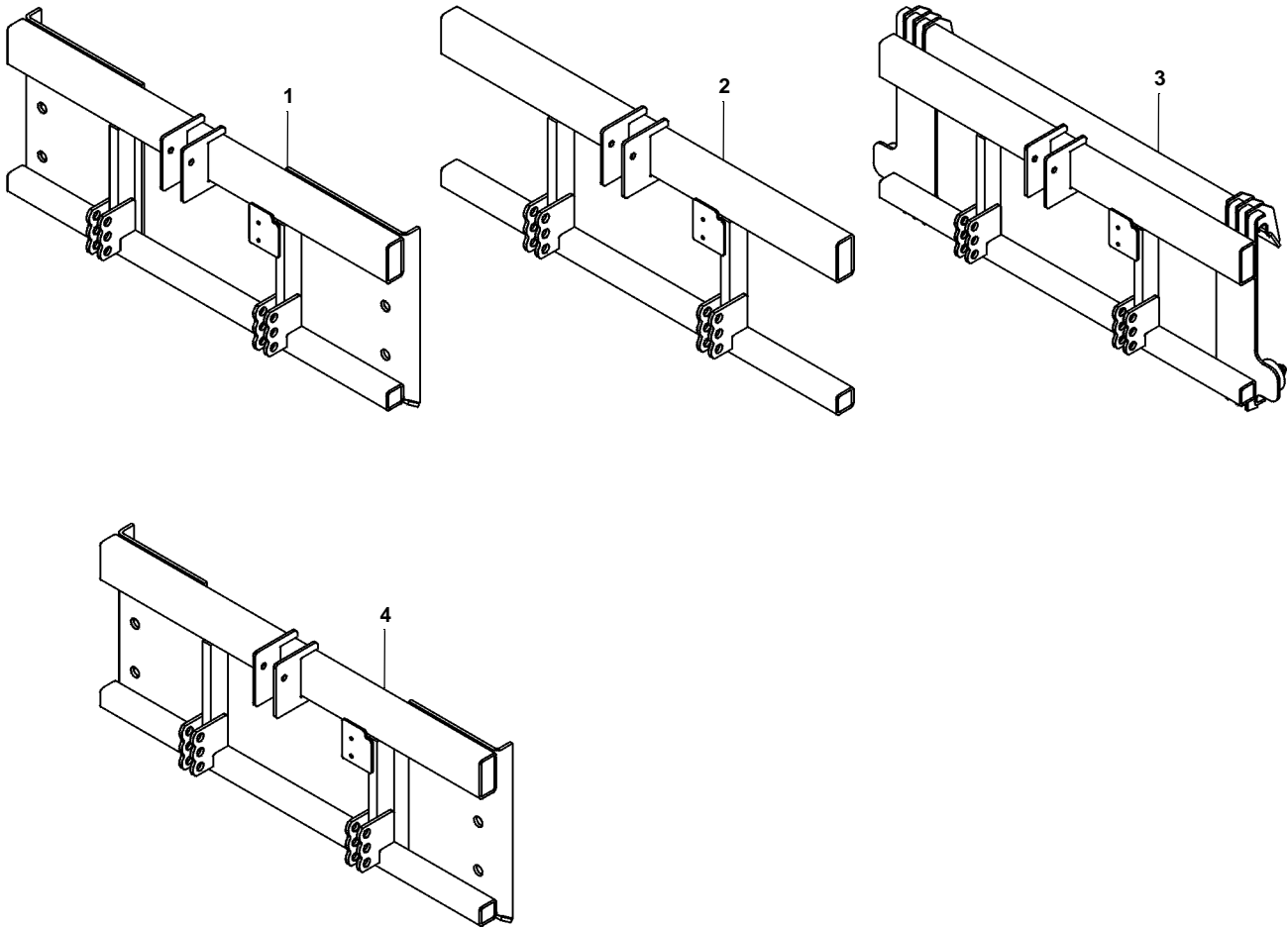
| ITEM | PART NO. | DESCRIPTION                                  | QTY |
|------|----------|--|-----|
| 1    | 96107489 | Assembly, Manual Adjust (18SKD Series) ..... | 2   |
|      | 96107485 | Assembly, Manual Adjust (25SKD Series) ..... | 2   |
|      | 96108100 | Assembly, Manual Adjust (26SKD Series) ..... | 2   |
| 2    | 96100959 | Bar, Male Adjust (18SKD Series) .....        | 1   |
|      | 96107484 | Bar, Male Adjust (25SKD Series) .....        | 1   |
|      | 96108102 | Bar, Male Adjust (26SKD Series) .....        | 1   |
| 3    | 96100958 | Tube, Female Adjust (18SKD Series) .....     | 1   |
|      | 96107483 | Tube, Female Adjust (25SKD Series) .....     | 1   |
|      | 96108101 | Tube, Female Adjust (26SKD Series) .....     | 1   |
| 4    | 98009167 | Pin, Hitch. 1/2" x 2-1/2" .....              | 1   |
| 5    | 98009169 | Pin, Lynch, 1/4" x 1-3/4" .....              | 1   |

# CROSS OVER RELIEF



| ITEM | PART NO. | DESCRIPTION  | QTY |
|------|----------|--|-----|
| 1    | 96106275 | Assembly, Cross Over Relief (includes Relief Valve, #3)..... | 1   |
| 2    | 96106276 | Hose, Right Hand Cylinder, 30 in.....                        | 1   |
| 3    |          | Valve, Cross Over Relief (Order item #1 - 96106275) .....    | 1   |
| 4    | 96104953 | Hose, Left Hand Cylinder, 18 in. ....                        | 1   |
| 5    | 96100000 | Fitting, Straight Connector .....                            | 2   |

# SKID STEER ADAPTERS



| ITEM | PART NO. | DESCRIPTION   | QTY |
|------|----------|---|-----|
| 1    | 96109850 | Case Adapter Mount - Universal Adapter Mount (fits most Skid Steers)..... | 1   |
| 2    | 96106834 | Universal Blank Structure "H-Bracket" .....                               | 1   |
| 3    | 96107078 | John Deere 400 Adapter Mount .....  | 1   |
| 4    | 96106835 | Cat 902 Adapter Mount .....   | 1   |

# NOTES

# NUMERICAL INDEX

| PART NO. | PAGE | ITEM | PART NO. | PAGE | ITEM | PART NO. | PAGE | ITEM |
|----------|------|------|----------|------|------|----------|------|------|
| 96001044 | 16   | 21   | 96101446 | 18   | 11   | 96106265 | 24   | 32   |
| 96001191 | 18   | 14   | 96101465 | 46   | 3    | 96106275 | 16   | 36   |
|          | 22   | 12   | 96101632 | 18   | 12   |          | 20   | 35   |
| 96001262 | 24   | 20   | 96101633 | 18   | 12   |          | 24   | 41   |
| 96001392 | 24   | 27   | 96101634 | 18   | 12   |          | 28   | 36   |
|          | 28   | 31   | 96101635 | 18   | 12   |          | 32   | 32   |
|          | 32   | 27   | 96101837 | 26   | 13   |          | 42   | 22   |
|          | 46   | 20   | 96101839 | 26   | 8    |          | 46   | 13   |
| 96006002 | 18   | 1    | 96102271 | 20   | 7    | 96106276 | 50   | 1    |
|          | 26   | 1    | 96102542 | 26   | 14   | 96106279 | 50   | 2    |
| 96100000 | 50   | 5    |          | 30   | 10   |          | 16   | 8    |
| 96100001 | 20   | 17   |          | 34   | 12   |          | 20   | 4    |
|          | 28   | 17   |          | 36   | 21   |          | 24   | 3    |
|          | 32   | 15   |          | 38   | 10   |          | 28   | 4    |
|          | 42   | 15   | 96102781 | 16   | 32   |          | 32   | 4    |
|          | 46   | 23   |          | 46   | 19   |          | 42   | 4    |
| 96100002 | 16   | 20b  | 96102789 | 18   | 12   | 96106289 | 24   | 16a  |
|          | 24   | 16b  | 96103042 | 18   | 19   | 96106290 | 16   | 19   |
| 96100058 | 24   | 25   | 96103043 | 18   | 19   |          | 24   | 15   |
| 96100073 | 16   | 4    | 96103044 | 18   | 19   | 96106308 | 38   | 7    |
|          | 24   | 33   | 96103045 | 26   | 22   |          | 40   | 5    |
| 96100081 | 16   | 15   | 96103046 | 26   | 22   | 96106309 | 38   | 7    |
|          | 24   | 11   | 96103047 | 26   | 22   |          | 40   | 5    |
| 96100082 | 16   | 13   | 96103048 | 26   | 22   | 96106322 | 16   | 2    |
|          | 24   | 8    | 96103069 | 18   | 11   |          | 20   | 2    |
|          | 28   | 7    | 96104953 | 50   | 4    |          | 24   | 2    |
| 96100213 | 18   | 25   | 96105410 | 38   | 15   |          | 28   | 2    |
| 96100234 | 26   | 12   | 96105457 | 32   | 20   |          | 32   | 2    |
| 96100237 | 26   | 13   | 96106078 | 32   | 16   |          | 42   | 2    |
| 96100239 | 26   | 13   |          | 42   | 16   |          | 46   | 16   |
| 96100264 | 18   | 22   | 96106148 | 28   | 21   | 96106353 | 38   | 6    |
| 96100265 | 18   | 22   | 96106194 | 16   | 11   | 96106354 | 38   | 6    |
|          | 26   | 24   |          | 20   | 9    | 96106355 | 38   | 6    |
| 96100266 | 18   | 22   |          | 24   | 9    | 96106356 | 38   | 4    |
|          | 26   | 24   |          | 24   | 9    | 96106357 | 38   | 4    |
| 96100267 | 26   | 24   |          | 28   | 9    | 96106358 | 38   | 4    |
| 96100521 | 26   | 13   |          | 32   | 9    | 96106391 | 20   | 21   |
| 96100752 | 26   | 24   |          | 42   | 9    | 96106609 | 16   | 24   |
| 96100817 | 26   | 8    | 96106216 | 16   | 1    | 96106610 | 24   | 23   |
| 96100818 | 26   | 8    | 96106217 | 24   | 1    | 96106663 | 34   | 5    |
| 96100819 | 26   | 8    | 96106218 | 28   | 1    | 96106664 | 34   | 5    |
| 96100872 | 18   | 26   |          | 32   | 1    | 96106665 | 34   | 6    |
| 96100919 | 16   | 26   |          | 42   | 1    | 96106666 | 34   | 6    |
| 96100958 | 49   | 3    |          | 46   | 15   | 96106667 | 34   | 6    |
| 96100959 | 49   | 2    | 96106220 | 16   | 20a  | 96106670 | 38   | 6    |
| 96101061 | 16   | 33   | 96106221 | 28   | 16   | 96106671 | 38   | 6    |
| 96101257 | 18   | 3    |          | 32   | 14   | 96106672 | 38   | 6    |
|          | 22   | 17   |          | 42   | 14   | 96106834 | 51   | 2    |
|          |      |      |          | 46   | 24   | 96106835 | 51   | 4    |
| 96101401 | 26   | 11   | 96106257 | 32   | 18   | 96106889 | 20   | 29   |
| 96101445 | 18   | 11   |          | 42   | 18   |          |      |      |

# NUMERICAL INDEX

| PART NO. | PAGE | ITEM | PART NO. | PAGE | ITEM | PART NO. | PAGE | ITEM |
|----------|------|------|----------|------|------|----------|------|------|
| 96107078 | 51   | 3    |          | 49   | 1    | 96114677 | 44   | 2    |
| 96107106 | 32   | 21   | 96108101 | 49   | 3    | 96114723 | 44   | 12   |
|          | 36   | 15   | 96108102 | 49   | 2    | 96114812 | 44   | 17   |
| 96107132 | 36   | 30   | 96108103 | 20   | 13   | 96114885 | 44   | 21   |
| 96107208 | 36   | 3    |          | 28   | 13   | 97100001 | 18   | 8    |
| 96107221 | 36   | 8    | 96108243 | 28   | 20   |          | 26   | 4    |
| 96107332 | 34   | 6    | 96108338 | 20   | 19   | 97100006 | 18   | 9    |
| 96107365 | 36   | 7    | 96108497 | 36   | 38   |          | 26   | 2    |
|          | 44   | 9    |          | 44   | 3    | 97100018 | 18   | 18   |
| 96107374 | 36   | 2    | 96108498 | 36   | 39   |          | 22   | 3    |
|          | 44   | 4    | 96108499 | 36   | 37   |          | 26   | 5    |
| 96107395 | 28   | 24   | 96108876 | 36   | 36   | 97100176 | 48   | 4    |
|          | 32   | 23   | 96109850 | 51   | 1    | 97100876 | 16   | 31   |
| 96107396 | 32   | 23   | 96110192 | 46   | 27   |          | 20   | 32   |
| 96107434 | 36   | 19   | 96110365 | 32   | 7    |          | 24   | 24   |
| 96107455 | 28   | 18   |          | 42   | 7    |          | 28   | 33   |
| 96107483 | 49   | 3    | 96110951 | 20   | 18   |          | 32   | 30   |
| 96107484 | 49   | 2    | 96111532 | 46   | 11   |          | 42   | 21   |
| 96107485 | 24   | 21   | 96112184 | 46   | 22   | 97100879 | 30   | 5    |
|          | 49   | 1    | 96112200 | 46   | 34   |          | 34   | 7    |
| 96107489 | 16   | 22   | 96112336 | 46   | 17   |          | 36   | 27   |
|          | 49   | 1    | 96112352 | 22   | 1    |          | 38   | 5    |
| 96107503 | 36   | 30   |          | 30   | 1    | 97100911 | 18   | 30   |
| 96107555 | 30   | 6    |          | 34   | 1    |          | 22   | 5    |
| 96107557 | 30   | 6    |          | 36   | 1    |          | 26   | 19   |
| 96107647 | 30   | 4    |          | 38   | 1    | 97100914 | 16   | 37   |
| 96107648 | 30   | 4    |          | 40   | 1    |          | 20   | 10   |
| 96107649 | 30   | 7    |          | 44   | 25   |          | 24   | 42   |
| 96107673 | 36   | 4    |          | 48   | 2    |          | 28   | 10   |
|          | 44   | 8    | 96112439 | 46   | 32   |          | 32   | 10   |
| 96107710 | 20   | 23   | 96112726 | 30   | 7    | 97101835 | 42   | 10   |
| 96107793 | 22   | 4    |          | 34   | 8    |          | 30   | 16   |
| 96107794 | 22   | 4    |          | 36   | 33   |          | 34   | 4    |
| 96107795 | 22   | 4    |          | 44   | 28   | 97107208 | 40   | 4    |
| 96107796 | 22   | 6    | 96112727 | 34   | 8    |          | 44   | 5    |
| 96107796 | 22   | 6    |          | 36   | 33   | 98009003 | 36   | 40   |
| 96107797 | 22   | 6    |          | 44   | 28   |          | 44   | 1    |
| 96107798 | 22   | 6    | 96112728 | 38   | 7    |          | 46   | 6    |
| 96107935 | 36   | 26   |          | 40   | 5    | 98009005 | 20   | 22   |
| 96107936 | 36   | 26   |          | 48   | 6    |          | 26   | 17   |
| 96107937 | 36   | 26   | 96112780 | 46   | 1    |          | 30   | 13   |
| 96107938 | 36   | 26   | 96113054 | 34   | 8    |          | 34   | 15   |
| 96107939 | 36   | 26   |          | 36   | 33   |          | 36   | 24   |
| 96107940 | 36   | 26   |          | 44   | 28   |          | 38   | 13   |
| 96107950 | 36   | 28   | 96113055 | 34   | 8    |          | 46   | 4    |
| 96107951 | 36   | 28   |          | 36   | 33   | 98009008 | 16   | 6    |
| 96108011 | 22   | 9    |          | 44   | 28   |          | 18   | 7    |
| 96108012 | 22   | 9    | 96113115 | 46   | 9    |          | 22   | 10   |
| 96108013 | 22   | 9    | 96113726 | 20   | 20   |          | 24   | 37   |
| 96108100 | 28   | 19   | 96113728 | 20   | 1    | 98009009 | 18   | 6    |
|          |      |      | 96113764 | 20   | 16   |          | 18   | 28   |
|          |      |      |          |      |      |          | 22   | 7    |

# NUMERICAL INDEX

| PART NO. | PAGE | ITEM | PART NO. | PAGE | ITEM | PART NO. | PAGE | ITEM |
|----------|------|------|----------|------|------|----------|------|------|
|          | 24   | 31   |          | 24   | 30   | 98009167 | 49   | 4    |
|          | 26   | 25   |          | 28   | 28   | 98009169 | 18   | 15   |
|          | 28   | 25   |          | 44   | 11   |          | 22   | 15   |
|          | 32   | 24   | 98009042 | 24   | 18   |          | 26   | 18   |
|          | 36   | 20   | 98009053 | 36   | 6    |          | 30   | 14   |
| 98009010 | 16   | 9    |          | 44   | 15   |          | 34   | 16   |
|          | 20   | 5    |          | 46   | 5    |          | 36   | 25   |
|          | 24   | 5    | 98009055 | 16   | 27   |          | 38   | 14   |
|          | 28   | 5    | 98009056 | 46   | 8    |          | 49   | 5    |
| 98009012 | 26   | 6    | 98009061 | 18   | 13   | 98009171 | 26   | 9    |
| 98009013 | 16   | 10   |          | 22   | 8    |          | 30   | 9    |
|          | 20   | 8    | 98009067 | 16   | 34   | 98009175 | 16   | 25   |
|          | 24   | 6    |          | 20   | 33   |          | 24   | 26   |
|          | 26   | 10   |          | 24   | 39   | 98009197 | 24   | 19   |
|          | 28   | 8    |          | 28   | 34   | 98009217 | 44   | 10   |
|          | 30   | 8    |          | 32   | 31   | 98009230 | 18   | 29   |
|          | 32   | 8    |          | 42   | 23   |          | 46   | 31   |
|          | 34   | 9    |          | 46   | 12   | 98019176 | 18   | 4    |
|          | 36   | 11   | 98009075 | 36   | 5    |          | 18   | 24   |
|          | 36   | 35   |          | 44   | 7    |          | 26   | 21   |
|          | 38   | 8    | 98009076 | 26   | 7    | 98019230 | 18   | 5    |
|          | 40   | 6    | 98009077 | 18   | 6    |          | 18   | 23   |
|          | 42   | 8    |          | 22   | 11   |          | 26   | 23   |
|          | 44   | 26   | 98009078 | 16   | 30   | 98100004 | 24   | 22   |
|          | 48   | 3    |          | 20   | 28   | 98100005 | 16   | 3    |
| 98009017 | 16   | 23   |          | 24   | 29   |          | 24   | 34   |
| 98009022 | 16   | 5    |          | 28   | 29   | 98100006 | 46   | 25   |
|          | 24   | 35   |          | 32   | 26   | 98100028 | 16   | 28   |
|          | 36   | 29   |          | 46   | 18   | 98100040 | 32   | 17   |
| 98009023 | 46   | 30   | 98009085 | 16   | 16   |          | 42   | 17   |
| 98009030 | 16   | 17   |          | 20   | 11   | 98100045 | 18   | 16   |
|          | 20   | 12   |          | 24   | 12   | 98100095 | 36   | 10   |
|          | 24   | 13   |          | 28   | 11   | 98100115 | 44   | 18   |
|          | 28   | 12   |          | 32   | 11   | 98100118 | 44   | 19   |
|          | 32   | 12   |          | 36   | 12   | 98100165 | 16   | 18   |
|          | 36   | 13   |          | 42   | 11   |          | 20   | 14   |
|          | 42   | 12   | 98009099 | 26   | 9    |          | 24   | 14   |
|          | 44   | 6    |          | 34   | 11   |          | 28   | 14   |
|          | 46   | 7    |          | 36   | 34   |          | 32   | 13   |
| 98009032 | 24   | 36   |          | 38   | 9    |          | 36   | 14   |
| 98009034 | 18   | 27   |          | 40   | 7    |          | 42   | 13   |
|          | 24   | 38   |          | 44   | 27   |          | 42   | 13   |
|          | 26   | 20   |          | 48   | 5    | 98100176 | 16   | 12   |
|          | 36   | 18   | 98009114 | 32   | 5    |          | 20   | 6    |
| 98009036 | 16   | 14   |          | 42   | 5    |          | 24   | 7    |
|          | 24   | 10   | 98009127 | 22   | 14   |          | 28   | 6    |
|          | 28   | 22   | 98009134 | 28   | 23   |          | 30   | 15   |
| 98009037 | 24   | 28   |          | 32   | 22   |          | 32   | 6    |
|          | 28   | 30   | 98009149 | 18   | 21   |          | 34   | 10   |
|          | 32   | 28   | 98009150 | 18   | 20   |          | 36   | 41   |
| 98009038 | 24   | 17   |          | 36   | 32   |          | 38   | 16   |
|          | 44   | 13   |          | 46   | 33   |          | 40   | 8    |
| 98009039 | 16   | 29   |          |      |      |          | 42   | 6    |



# NUMERICAL INDEX

| PART NO. | PAGE | ITEM |
|----------|------|------|
|----------|------|------|

| PART NO. | PAGE | ITEM |
|----------|------|------|
|----------|------|------|

| PART NO. | PAGE | ITEM |
|----------|------|------|
|----------|------|------|

|          |    |    |
|----------|----|----|
|          | 44 | 29 |
| 98100255 | 16 | 35 |
|          | 20 | 26 |
|          | 20 | 34 |
|          | 24 | 40 |
|          | 28 | 35 |
|          | 32 | 33 |
|          | 42 | 24 |
|          | 46 | 14 |
| 98100263 | 36 | 31 |
| 98100294 | 32 | 29 |
|          | 42 | 20 |
|          | 46 | 26 |
| 98100314 | 28 | 15 |
| 98100315 | 28 | 26 |
|          | 32 | 25 |
| 98100319 | 36 | 9  |
| 98100320 | 20 | 37 |
| 98100322 | 20 | 15 |
| 98100323 | 20 | 31 |
|          | 28 | 32 |
| 98100324 | 20 | 27 |
| 98100325 | 28 | 27 |
| 98100340 | 20 | 25 |
| 98100420 | 32 | 19 |
|          | 42 | 19 |
| 98100433 | 46 | 28 |
| 98100448 | 46 | 2  |
|          | 46 | 10 |
| 98100452 | 46 | 29 |
| 98100457 | 20 | 30 |
| 98100468 | 46 | 21 |
| 98100474 | 44 | 14 |
| 99100490 | 22 | 16 |

---

**SNO-WAY<sup>®</sup> INTERNATIONAL, INC.**

**SNO-WAY<sup>®</sup>**  
**SNOW & ICE CONTROL EQUIPMENT**

Hartford, WI 53027 USA  
Website: [www.snoway.com](http://www.snoway.com)  
©2014 Sno-Way<sup>®</sup> International



# DEALER PRE DELIVERY CHECKLIST

The following inspections **MUST** be accomplished prior to delivering the snowplow to the customer. Place an X  in the box after accomplishing each item on the checklist.

## CHECK THAT:

- Parts have not been damaged in shipment. Repair or replace items that are loose, dented or missing.
- All decals are in place.
- All pivot pins and cotters are installed and secure.
- Trip springs are adjusted.
- Disk Shoe assemblies are installed and adjusted.

Start the vehicle engine and place an X  in the box after accomplishing each item on the checklist.

## CHECK THAT:

- Cylinders, hoses and fittings **DO NOT** leak.
- Blade swings.
- No abnormal noises or vibrations are present; Repair or replace as necessary.

# DELIVERY CHECKLIST

The following checklist is to be accomplished with the customer present, Place an X  in the box after accomplishing each item on the checklist.

- After giving the Customer his Owner's Manual, instruct him to read it **PRIOR** to operating the Snow Plow. If he has any questions or does not understand part(s) of the Manual, ask him to contact the Dealer for answers or explanations **BEFORE** operating the unit.
- Record the Serial Numbers, Date of Purchase, Purchaser's Name and Address, and the Dealers Name, Address and Phone Number in the space provided on Page 1 of the Owner's Manual.
- Explain connect and disconnect procedures.
- Explain the necessity of Disk Shoe usage at all times to ensure optimum plow performance.
- Fill out Warranty Registration Card and mail COPY 1 to the factory to validate Warranty. NO Warranty claims can be honored if the Warranty Card is not on file at the factory.**

97100790K

---

SNO-WAY® INTERNATIONAL, INC.

**SNO-WAY**  
SNOW & ICE CONTROL EQUIPMENT

Hartford, WI 53027 USA  
Website: [www.snoway.com](http://www.snoway.com)  
©2014 Sno-Way® International