



**Assembly
&
Installation Instructions**

Flat Deflector Kit

For

32 Series Plows

(Includes Hardware)



1. THINK SAFETY, ALWAYS WEAR SAFETY GLASSES WHEN PERFORMING THE OPERATIONS PRESCRIBED IN THESE INSTRUCTIONS
2. READ ALL INSTRUCTIONS CAREFULLY BEFORE ATTEMPTING INSTALLATION
3. BEFORE BEGINNING WORK MAKE SURE TO SET PARKING BRAKE AND CHOCK WHEELS

ASSEMBLY TOOLS NEEDED:

- Drill Bits 17/32"
- Sockets 1/2"
- Torque Wrench
- Center Punch and Hammer
- Hacksaw

General

1. Remove old deflector, if so equipped.
2. Measure plow blade length and read modification instructions.

NOTE: 120" plow blade deflectors require no modification.

Modification Instructions for 108" Blade

1. To shorten to a 108" deflector, remove 12" from one end of deflector (See fig. 1-1)
2. Cut a 30° angle on each end of deflector starting 2" down from the top. (See fig. 1-1)

NOTE: The 30° angle cut is necessary to keep the overall width of the plow under 8-1/2' when fully angled. 8-1/2' is the maximum width allowed in most states.

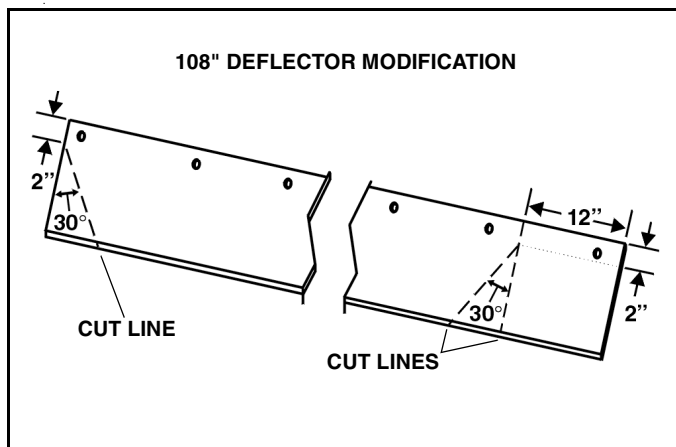


Figure 1-1

Modification Instructions for 102" Blade

1. To shorten to a 102" deflector, remove 9" from both ends of deflector. (See fig. 1-2)

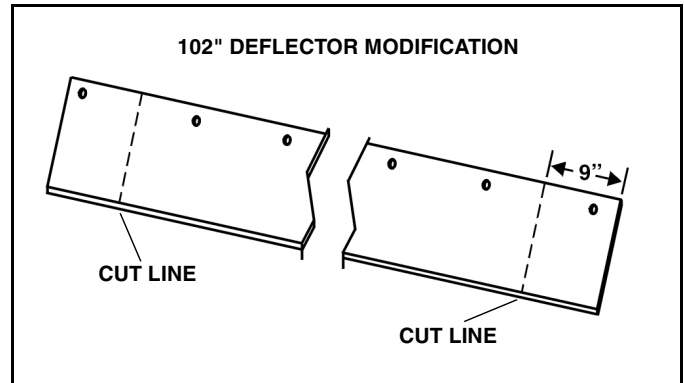


Figure 1-2

Modification Instructions for 96" Blade

1. To shorten to a 96" deflector, remove 24" from one end of deflector. (See fig. 1-3)

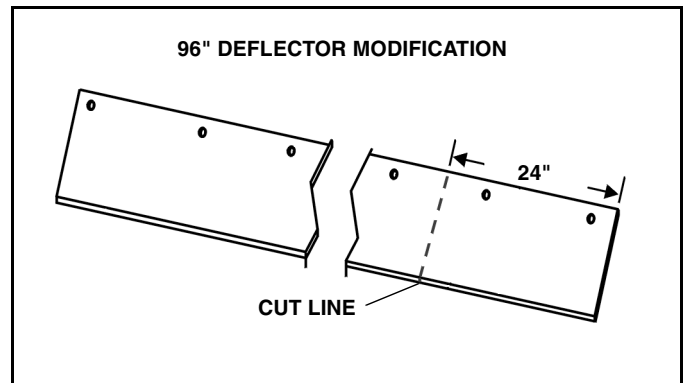


Figure 1-3

Modification Instructions for 90" Blade

1. To shorten to a 90" deflector, remove 9" from one end of deflector and 21" from the other end. (See fig. 1-4)

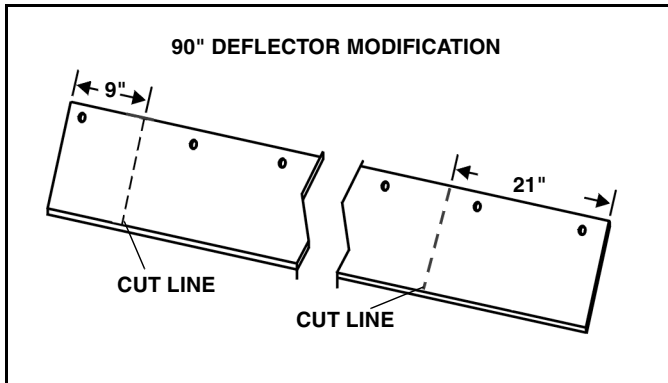


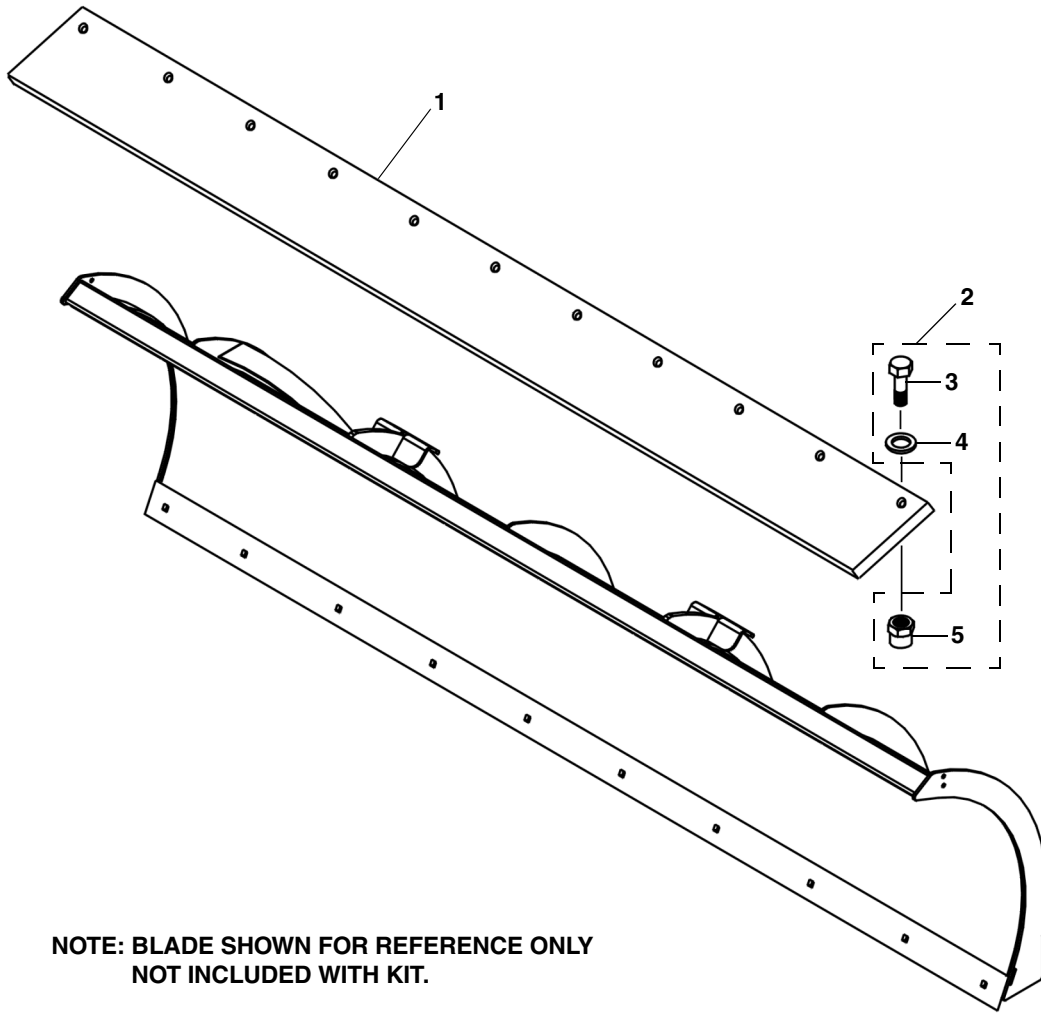
Figure 1-4

Mounting Instructions

NOTE: Unless specified, mount all components to plow before tightening any bolts.

1. Place deflector on the blades' top rail. One end of the deflector should be 1/4" from the end rib. Align top of deflector with top of plows' top rail.
2. Use holes in deflector as a template to center punch and drill 17/32" dia. holes.
3. Remove deflector and install threaded insert nut. Use Sno-Way Tool, part #96106378. Follow the instructions included with tool.
4. Place deflector back on plow and install 5/16" x 1" bolt and 5/16" washers.
5. Torque all bolts to 15 lb.-ft.

PARTS LIST



**NOTE: BLADE SHOWN FOR REFERENCE ONLY
NOT INCLUDED WITH KIT.**

ITEM	PART NO.	DESCRIPTION	QTY.
1	96106254	Deflector.....	1
2	96106380	KIT, HARDWARE	1
3	98009149	Bolt, Hex, 5/16"-18 x 1"	11
4	98009230	Washer, Plain, 5/16"	11
5	98100100	Nut Insert, Threaded	11

SNO-WAY® INTERNATIONAL, INC.



Hartford, WI 53027 USA
 Website: www.snoway.com
 ©2002 Sno-Way® International