

SNO-WAY®

SNOW & ICE CONTROL EQUIPMENT

ASSEMBLY & INSTALLATION INSTRUCTIONS

PLOW STAND 99100704

FOR
26 AND 29 SERIES PLOWS

Sno-Way® , Down Pressure® and EIS® are registered trademarks of Sno-Way International, Inc.
ProControl™ , MegaBlade™ , V-Wing™ , E-Z Switch™ , Revolution™ , MaxAdjust™ , SpeedLock™ , and QuickJack™
are trademarks of Sno-Way International, Inc.

©2016 Sno-Way® International

97101002D



1. **THINK SAFETY, ALWAYS WEAR SAFETY GLASSES WHEN PERFORMING THE OPERATIONS PRESCRIBED IN THESE INSTRUCTIONS**
2. **READ ALL INSTRUCTIONS CAREFULLY BEFORE ATTEMPTING INSTALLATION**
3. **BEFORE BEGINNING WORK MAKE SURE TO SET PARKING BRAKE AND CHOCK WHEELS**



ASSEMBLY TOOLS NEEDED

Impact Sockets	7/16" – 1-3/8"
Impact Sockets, Metric	10mm – 18mm
Wrenches	7/16" – 1-3/8"
Wrenches, Metric	10mm - 18mm
Torque Wrench	
Rat Tail Pry Bar	
Cutting Wheel	
Touch-up Paint	

INSTALLATION NOTES

1. Refer to "PARTS LIST" on page 4 for a detailed list of part numbers and descriptions for the Plow Stand.
2. It is recommended that LOCTITE®, or similar thread locking product, be used on ALL mounting hardware (i.e. Nuts, Cap Screws, Bolts, etc.).
3. Items in parentheses () refer to quantity required for this step. Items in parentheses with a pound sign (#) indicate the part number as found in the parts list on the last page of this document. Example: (2) of (#7).
4. Leave all fasteners loose when assembling. Tighten all fasteners when unit is completely together.

PLOW STAND ASSEMBLY

1. Bolt on each stand plate (#1) to stand support bracket (#2): (Item #2 has the two bent flanges facing rearward (See Figure 1.). Place (3) 1/2"-13 x 1-1/2" cap screws (#9) per side pointing inside; retain with 1/2"-13 nylock nuts (#7).

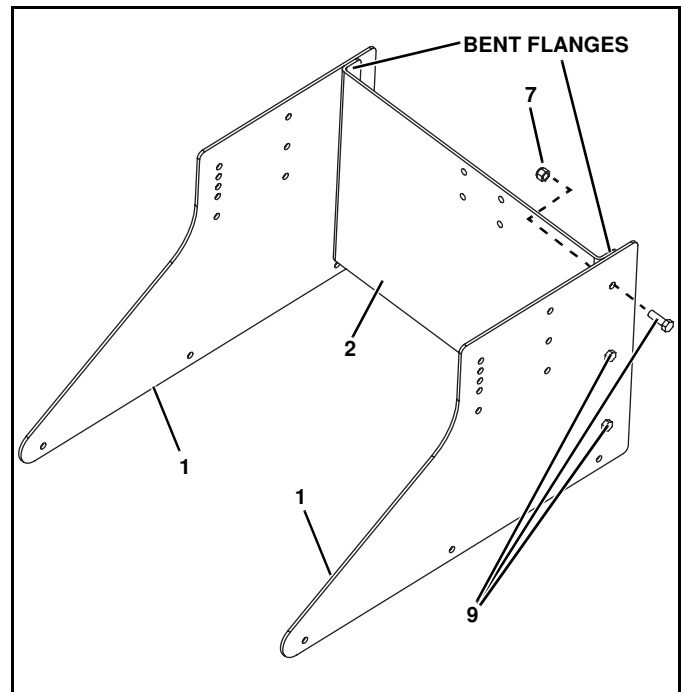


Figure 1

2. Use (3) 1/2"-13 x 3" cap screws (#6) and 1/2"-13 nylock nuts (#7) on each support tube (#3) to secure to the side plates (#1) (See Figure 2.). The bolts should point toward the inside.

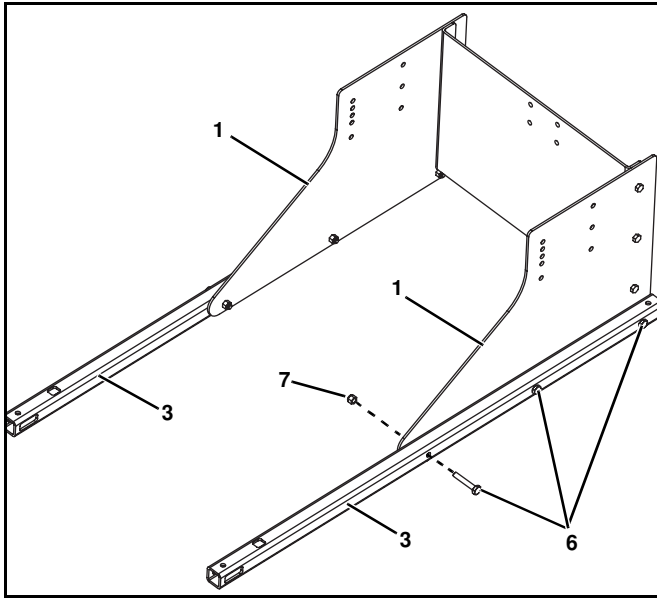


Figure 2

3. Place both rubber springs (#4), on the support tube face. (See Figure 3.)

IMPORTANT: Place the rubber spring with the metal insert side UP.

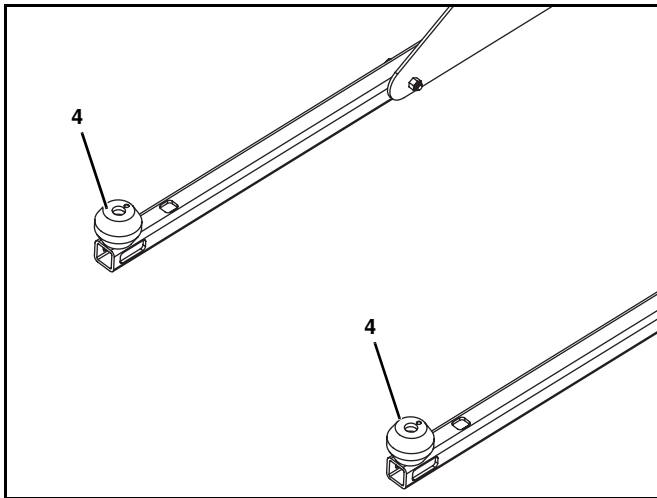


Figure 3

4. Place the blade rest weldment (#5) in place. (See Figure 4.) Install and tighten (2) 3/8"-16 nylock nuts (#8) on assembly bolts inside support tube.

NOTE: The unit must be angled down, then in. The tabs keep the rear section from deflecting up, when the blade is pushing down on the support bracket.

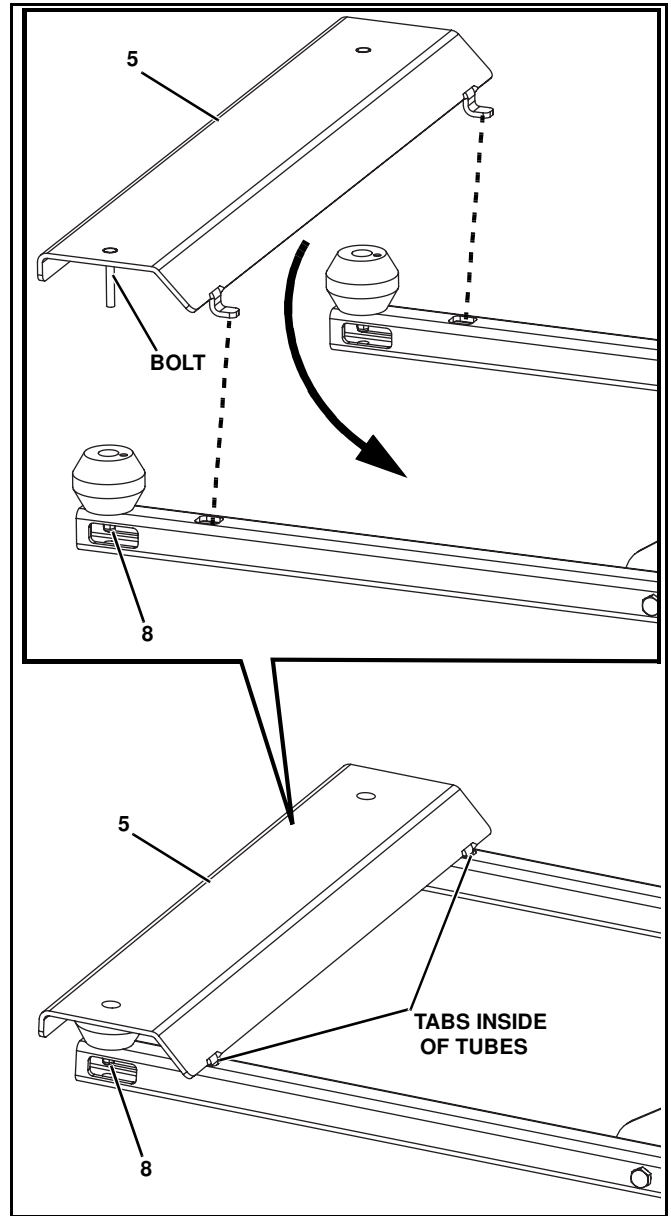


Figure 4

5. Bolt hitch spreader mount (#11) to the rear of the stand support bracket (#2) with (4) 1/2"-13 cap screws (#9) from inside; retain with (4) 1/2"-13 nylock nuts (#7). (See Figure 5.) Add 5/8"-11 x 1-1/2" cap screw (#12) to side of hitch mount. (Tighten when spreader is mounted to limit movement.)

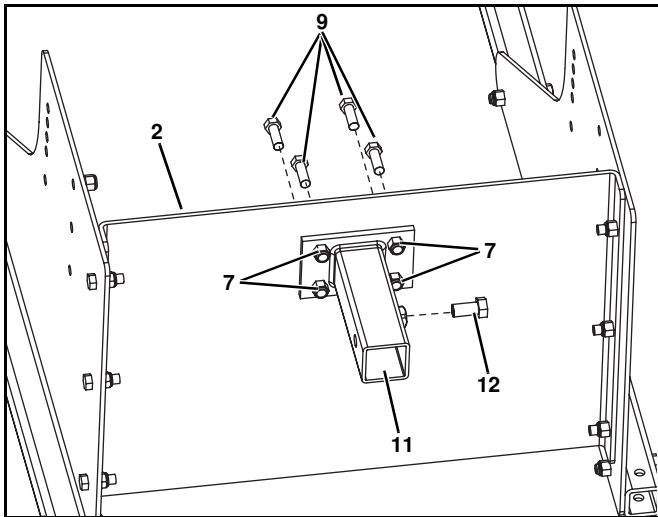


Figure 5

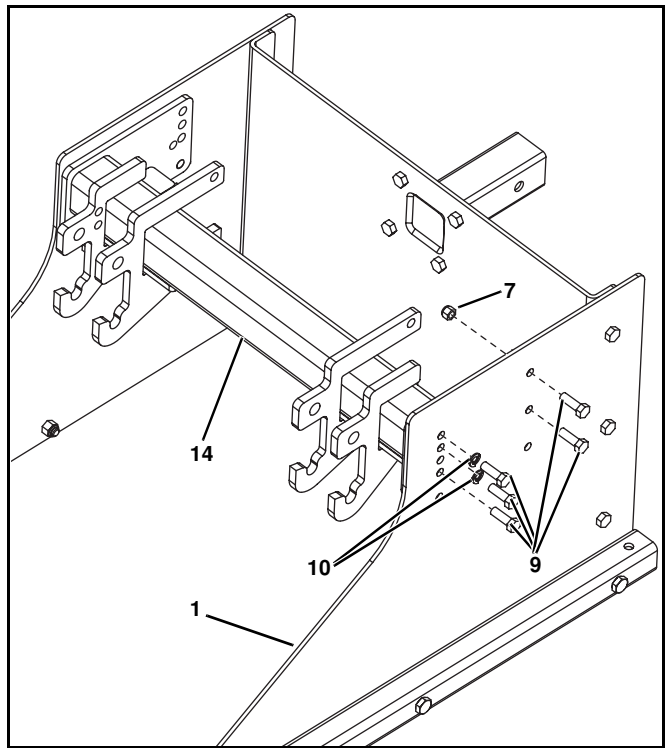


Figure 7 (29 Series Shown)

VEHICLE CENTER MOUNT INSTALLATION - 26 SERIES OR 29 SERIES (Vehicle Center Mount Must Be Purchased Separately)

1. Bolt on VCM 99100892 (26 Series) (#13) (See Figure 6.), or the VCM 99100890 (29 Series) (#14) to the stand plates (#1). (See Figure 7.): Use (10) 1/2"-13 x 1-1/2" cap head screws (#9) and (6) 1/2"-13 nylock nuts (#7) provided to bolt the VCM. Use (2) 1/2" lock washers (#10) with (2) cap head screws on each side at locations shown.

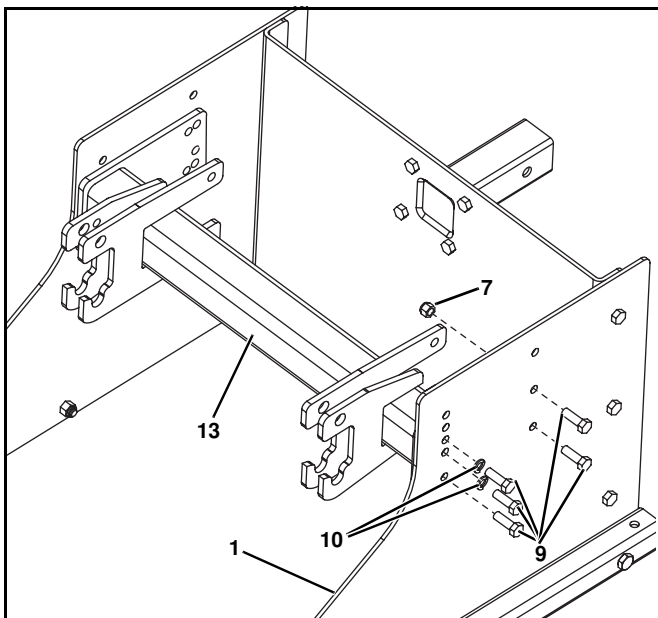


Figure 6 (26 Series Shown)

2. Tighten all hardware on plow stand.
3. Mount Plow to unit. (See Figure 8.)

NOTE: Any style tail gate spreader can be mounted on the rear spreader hitch mount. Use 5/8"-11 x 1-1/2" cap screw (#12) to tighten into side of spreader hitch, to keep the spreader from moving.

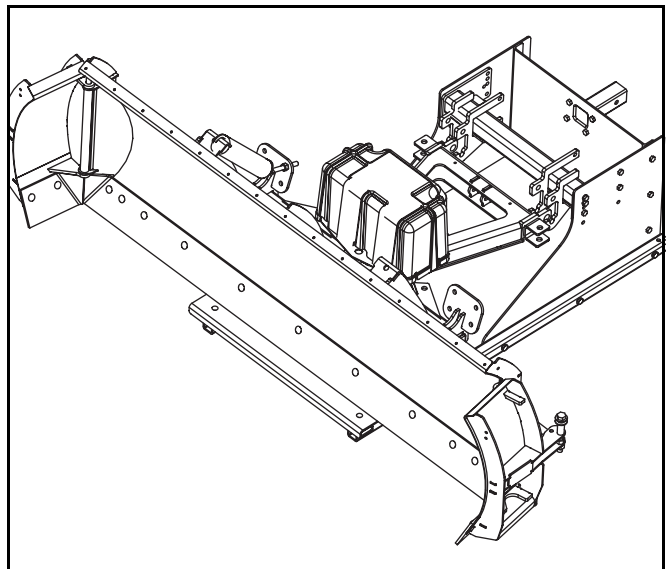
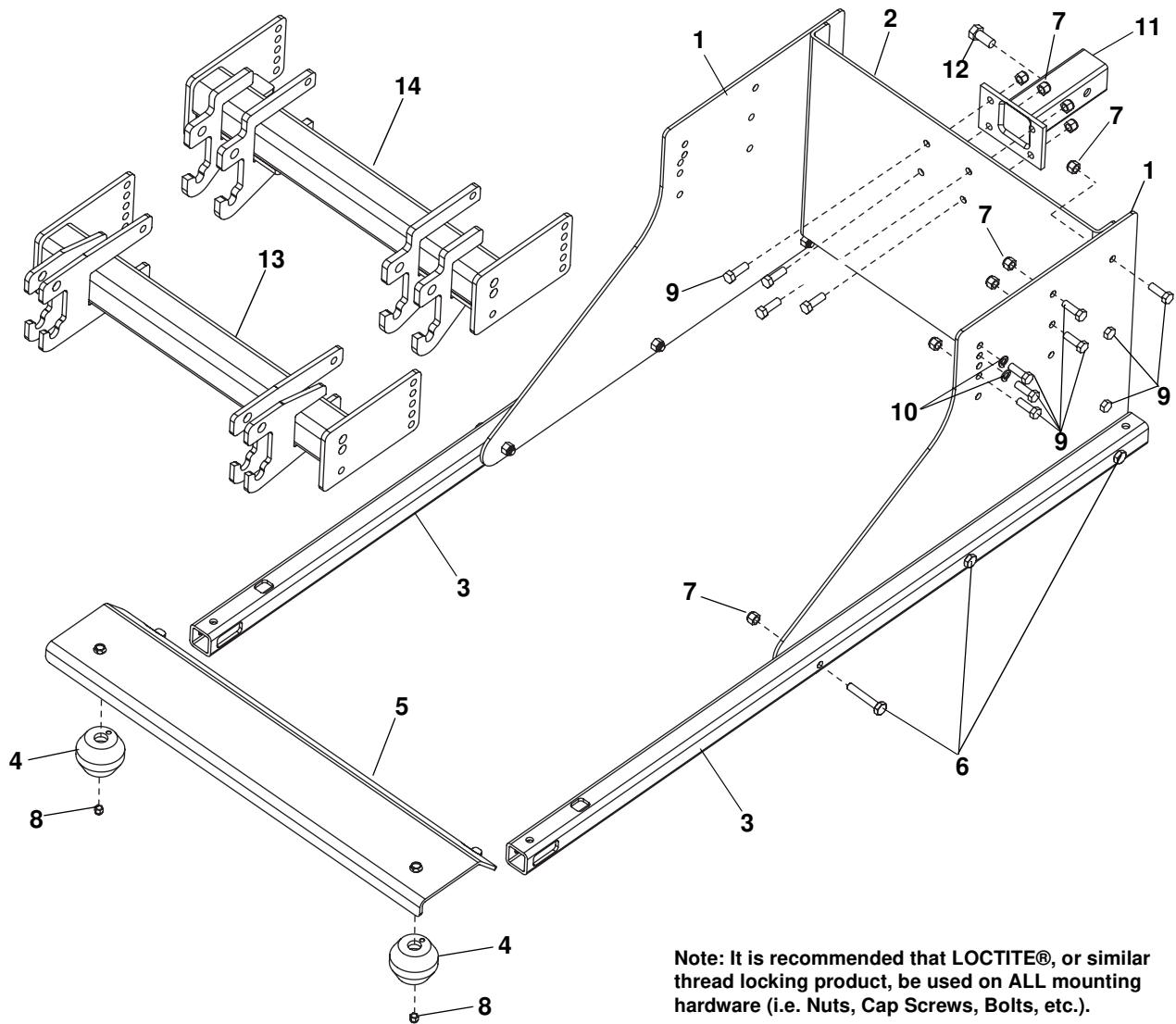


Figure 8

PARTS LIST



Note: It is recommended that LOCTITE®, or similar thread locking product, be used on ALL mounting hardware (i.e. Nuts, Cap Screws, Bolts, etc.).

ITEM	PART NO.	DESCRIPTION	QTY.
1		Plate, Plow Stand.....	2
2		Bracket, Stand Support.....	1
3		Tube, Stand Support	2
4		Rubber Spring	2
5		Weldment, Blade Rest	1
6		Cap Screw, Hex Head, 1/2"-13 x 3"	6
7		Nut, Nylock, 1/2"-13	22
8		Nut, Nylock, 3/8"-16	2
9		Cap Screw, Hex Head, 1/2"-13 x 1-1/2"	20
10		Lock Washer, 1/2"	4
11		Mount, Hitch Spreader	1
12		Cap Screw, Hex Head, 5/8"-11 X 1-1/2".....	1
13	99100892	Vehicle Center Member (VCM) (26 Series).....	1
14	99100890	Vehicle Center Member (VCM) (29 Series).....	1

NOTES

NOTES

SNO-WAY® INTERNATIONAL, INC.



Hartford, WI 53027 USA
Website: www.snoway.com
©2016 Sno-Way® International