

SNO-WAY®

SNOW & ICE CONTROL EQUIPMENT

SERVICE PARTS MANUAL

22 SERIES SNOW PLOWS WITH EIS® PLOW LIGHT HARNESS CONNECTIONS

FOR GRAVITY HYDRAULICS
WITH SERIAL NUMBERS BEFORE 22G100200
WITH SERIAL NUMBERS AFTER 22G200000

FOR DOWN PRESSURE® HYDRAULICS
WITH SERIAL NUMBERS BEFORE 22D102000
WITH SERIAL NUMBERS AFTER 22D200000

Sno-Way®, Down Pressure® and EIS® are registered trademarks of Sno-Way International, Inc.
ProControl™, MegaBlade™, V-Wing™, E-Z Switch™, Revolution™, MaxAdjust™, SpeedLock™, and QuickJack™
are trademarks of Sno-Way International, Inc.

©2023 Sno-Way® International

97101024Q

TABLE OF CONTENTS

	Page
PARTS LIST INTRODUCTION	2
POWER PACK FRAME	3
BLADES	7
HYDRAULIC SYSTEM - GRAVITY DOWN	9
HYDRAULIC SYSTEM - DOWN PRESSURE	10
HYDRAULIC POWER UNIT - GRAVITY DOWN SYSTEM	11
HYDRAULIC POWER UNIT - DOWN PRESSURE SYSTEM S.N. BEFORE: 22D201092	13
HYDRAULIC POWER UNIT - DOWN PRESSURE SYSTEM S.N. AFTER: 22D201093	15
AUXILIARY LIGHTS - S.N.: 22D100000-22D201431, 22G100000-22G200084.....	17
AUXILIARY LIGHTS - S.N.: 22D201432, 22G200085 AND AFTER.....	19
POWER PACK WIRING	21
NUMERICAL INDEX	22

NOTE: For CONTROLLER SYSTEM WIRING - See Manual 97101915 - Snow Plow and Spreader Controls for parts breakdown and details.

PARTS LIST INTRODUCTION

Our dealership network stands by to provide you with any assistance you may require, including genuine Sno-Way service parts. All parts should be obtained from or ordered through your dealer. Give complete information about the part as well as the Model Number and Serial Number of your machine.

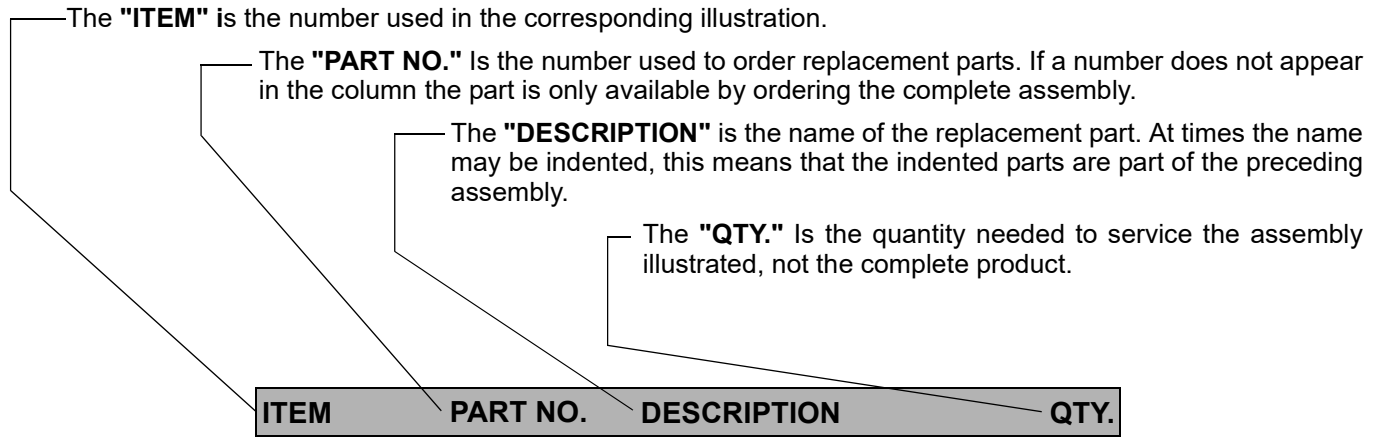
Record the Serial Number in the space provided in your Owner's Manual for quick reference. The Serial Number for the unit is on a plate located on the A-Frame or under the pump cover.

"Right" and "Left" are determined from a position sitting on the Operators Seat of the vehicle.

We reserve the right to make changes or improvements in the design or construction of any part without incurring the obligation to install such changes in any unit previously delivered.

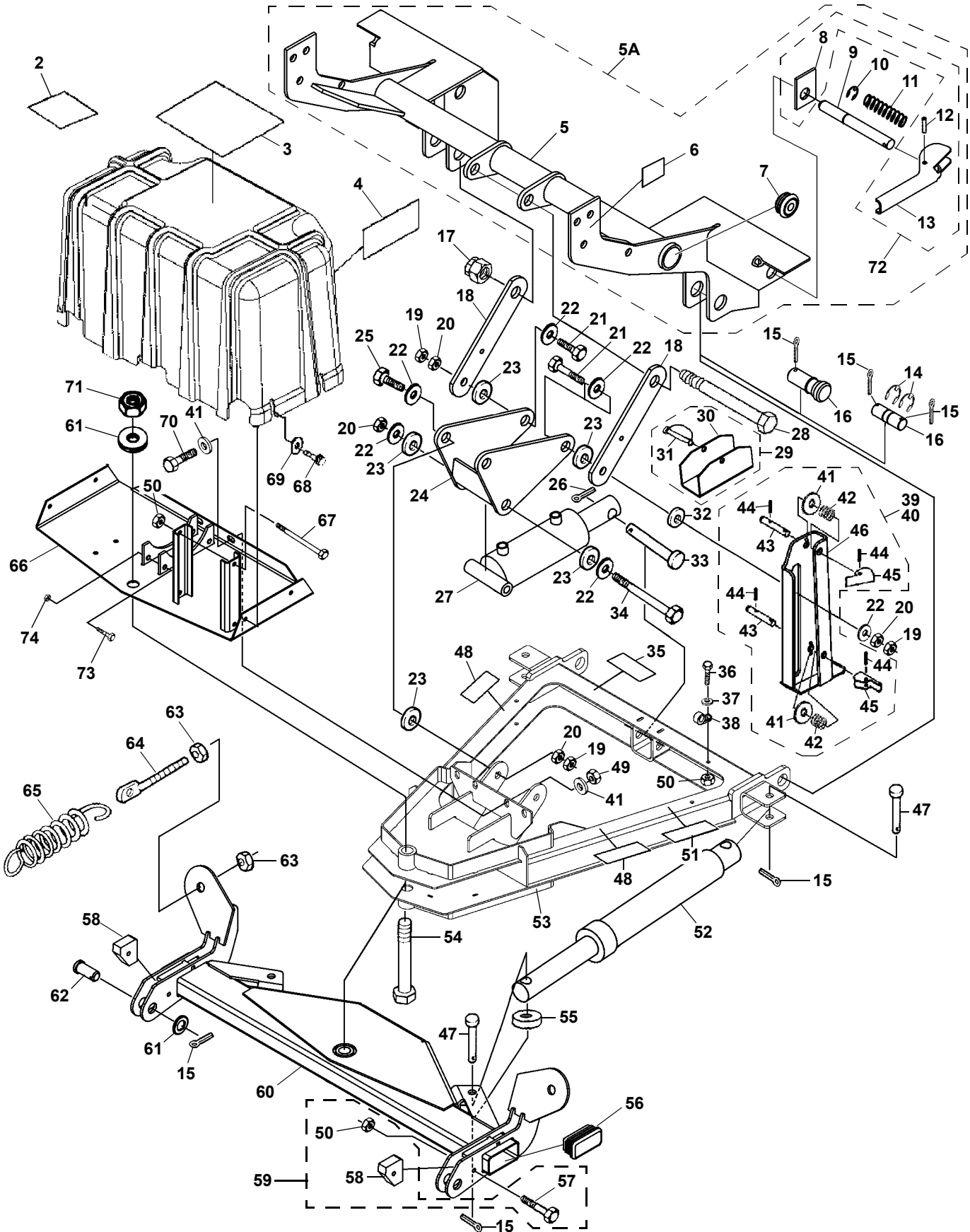
USING THIS PARTS LIST

Below is parts listing with four columns. The first column is the "ITEM", the second is the "PART NUMBER", The third is the "DESCRIPTION" and the fourth is the "QUANTITY".



ITEM	PART NO.	DESCRIPTION	QTY.
1	96100083	O-ring	1
2	96001529	Elbow	3
3	98100036	Capscrew, Hex.,3/8"-16NC x 7/8"	9

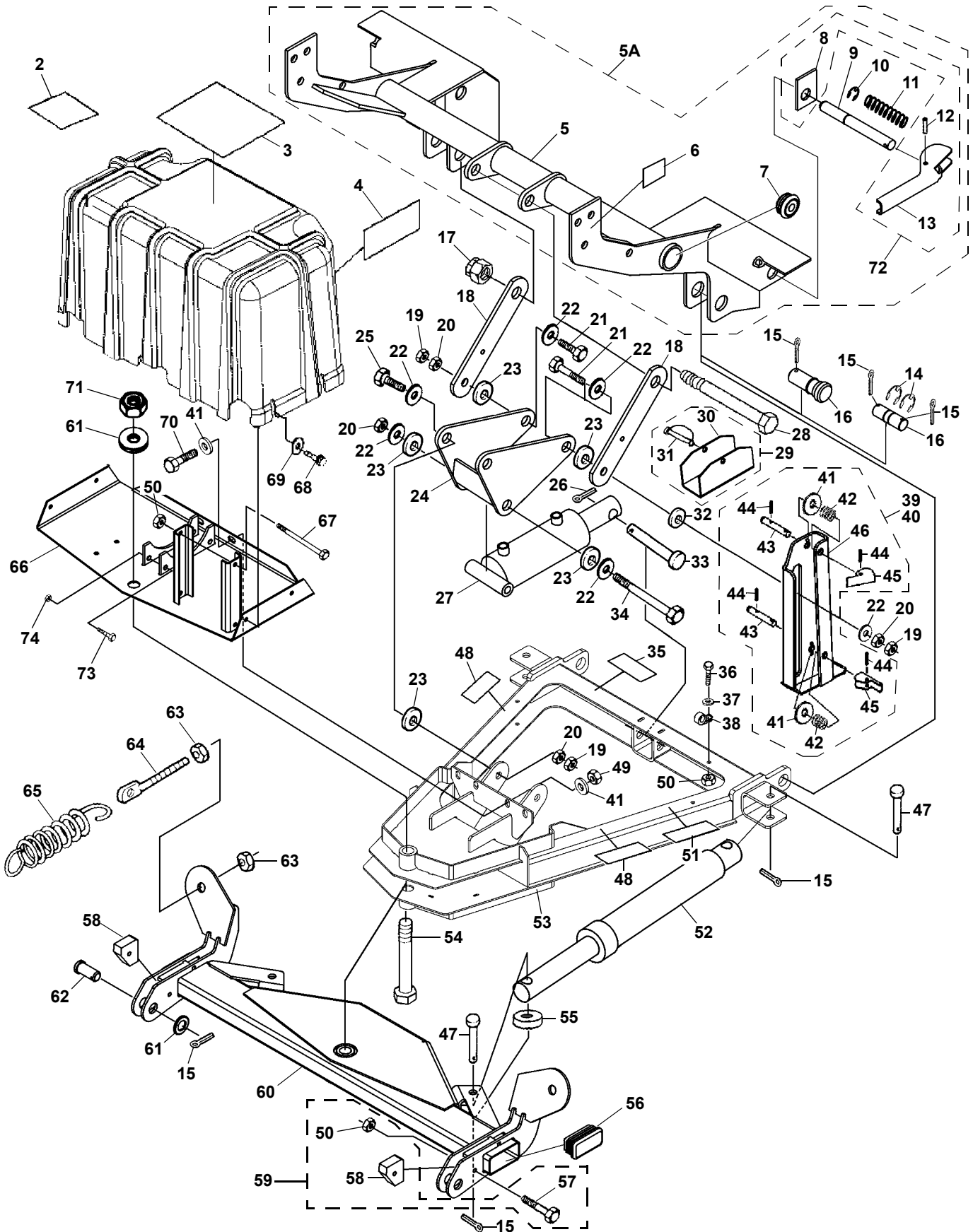
POWER PACK FRAME



POWER PACK FRAME

ITEM	PART NO.	DESCRIPTION	QTY
1	96113427	Cover, Pump (Includes items 2, 3 & 4)	1
	96114511	Cover, Pump, Gravity (Includes items 2, 3 & 4).....	1
2		Decal, DP System.....	1
		Decal, Gravity System	1
3		Decal, Mounting Instructions	1
4		Decal, Warning, Cover Removal.....	1
5		Light/Lift Bar, Quick-Attach	1
5A	96107550	Assembly, Light/Lift Bar, Quick-Attach (Serial Numbers before 22D101184 and 22G100097, Order (2) lower hitch pins, item 16 with item 5.).....	1
6	97100400	Decal, Warning	1
7	96108875	End Cap, 1-1/2"	2
8	96110515	Plate, Bearing, Polyethylene.....	2
9	96107128	Pin, Quick-Tatch - Upper Hitch Pin	2
10	98100312	E-Ring.....	2
11	96107130	Spring, SS.....	2
12	98100313	Pin, Roll, 1/4 x 1-3/8" SS	2
13		Handle, Quick-Release (Available as Kit, Item 72).....	
14	98100326	E-Ring, 7/8".....	4
15	98009085	Pin, Cotter, 5/32" x 1-1/2"	10
16	96106958	Pin, Quick Hitch - Lower Hitch Pin (Use for Serial Numbers on or before 22D101183 and 22G100096)	2
	96109928	Pin, Quick Hitch - Lower Hitch Pin (Use for Serial Numbers on or after 22D101184 and 22G100097)	2
17	98009038	Nut, Nylock, 5/8"-11	1
18	96106885	Link, Lift	2
19	98100172	Nut, Jam, 1/2"-13	4
20	98009013	Nut, Nylock, 1/2"-13	5
21	98100010	Cap Screw, Hex, 1/2"-13 x 2"	2
22	98100176	Washer, Hardened	7
23		Bushing.....	6
	96110393	Kit, Bushing (Includes bushings and all mounting hardware).....	1
24	96106884	Bellcrank	1
25	98100390	Cap Screw, Hex, 1/2"-13 x 1-3/4"	2
26	98100341	Pin, Cotter, 5/32" x 1".....	1
27	96106893	Cylinder, Lift, Gravity Down (Use for Serial Numbers Before 22G200150)	1
	96106894	Cylinder, Lift, Gravity Down (Use for Serial Numbers After 22G200149)	1
	96106894	Cylinder, Lift, Down Pressure	1
28	98009197	Cap Screw, Hex 5/8"-11 x 6".....	1
29	96105278	Clamp, Cylinder Lock, Gravity Down (Use for Serial Numbers Before 22G200150)	1
	96107769	Clamp, Cylinder Lock, Gravity Down (Use for Serial Numbers After 22G200149)	1
	96107769	Clamp, Cylinder Lock, Down Pressure	1
30		Clamp, Cylinder Lock, Gravity Down	1
		Clamp, Cylinder Lock, Down Pressure	1
31		Pin, Wire Lock.....	1
32	96102168	Spacer, Stand.....	1
33	98100251	Pin, Clevis, 5/8" x 3-1/2"	1
34	98009114	Cap Screw, Hex, 1/2"-13 x 6"	1

POWER PACK FRAME (continued)

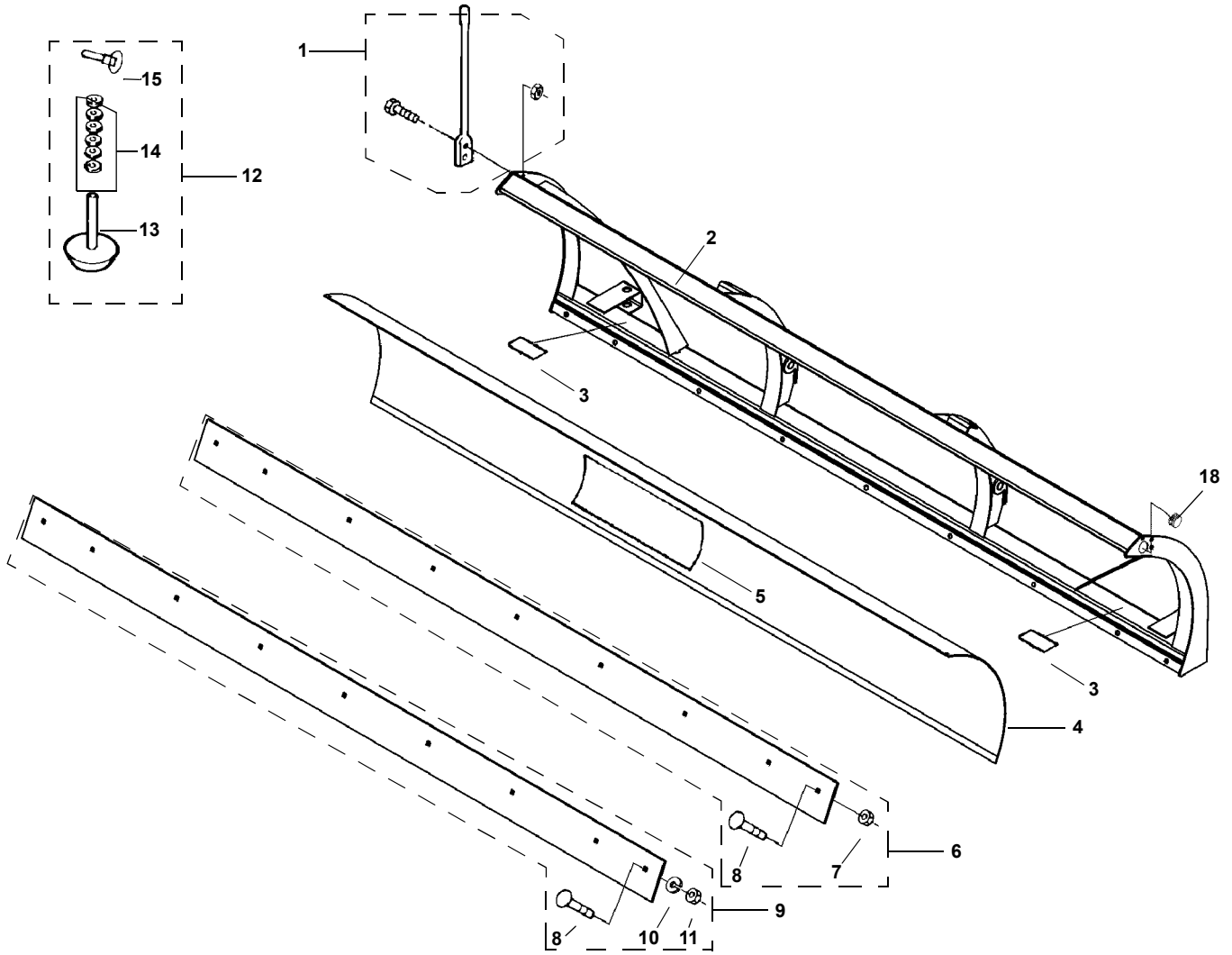


POWER PACK FRAME

(continued)

ITEM	PART NO.	DESCRIPTION	QTY
35		Decal, Patent	1
36	98009027	Cap Screw, Hex, 1/4"-20 x 1".....	1
37	98100254	Washer, Flat, 1/4".....	1
38	96101891	Clamp, Tube	1
39	96106605	Jackstand Assembly, 22/26/29/32 Series	1
40	96107711	Kit, Jackstand Hardware (includes one ea. items 41, 42, 43, 45, two item 44).....	2
41	98009032	Washer, 3/8".....	6
42		Spring, Latch.....	2
43		Pin, Latch.....	2
44		Roll Pin, 5/32" x 7/8"	4
45		Cam, Jackstand	2
46	96106986	Jackstand.....	1
47	98100322	Pin, Clevis, 1/2" x 2-3/8"	4
48		Decal, Warning, Pinch Point	2
49	98009009	Nut, Hex Nylock, 3/8"-16	2
50	98100255	Nut, Nylock, 1/4"-20	4
51		Decal, Warning.....	1
52	96110951	Cylinder, Angle, 1"	2
53	96107512	A-Frame, 22 Series.....	1
54	98100324	Cap Screw, Hex, 3/4"-10 x 6-1/2"	1
55	96107710	Spacer, Swing Cylinder 22	2
56		End Cap, 3 x 1-1/2".....	2
57	98100340	Cap Screw, Hex, 1/4"-20 x 1-1/2"	2
58		Cushion/Stop, Blade Trip, 22 Series	1
59	96108338	Kit, Stop, Blade Trip, 22	1
60	96106391	Frame, Swing, 22 Series.....	1
61	98009030	Washer, Flat, 3/4".....	3
62	98100320	Pin, Clevis, 3/4" x 1-5/8"	2
63	98009078	Nut, Hex, 5/8"-11	4
64	96102781	Eye Bolt, 5/8"-11 x 6"	2
65	96106889	Spring, Trip.....	2
66	96106903	Platform, Pump	1
67	98100266	Cap Screw, Hex, 1/4"-20 x 6".....	1
68	98019176	Screw, Flange Head, Self-Tapping, 5/16" x 1"	4
69	98019230	Washer, Flat, 5/16".....	4
70	98009022	Cap Screw, Hex, 3/8"-16 x 1".....	2
71	98100323	Nut, Hex, 3/4"-10	1
72	96113472	Kit, Cam Handle (Includes item 8,12, and 13).....	2
73	98100264	Cap Screw, Hex, 5/16"-18 x 2-1/4"	2
74	98009150	Nut, Hex Nylock, 5/16"-18.....	2

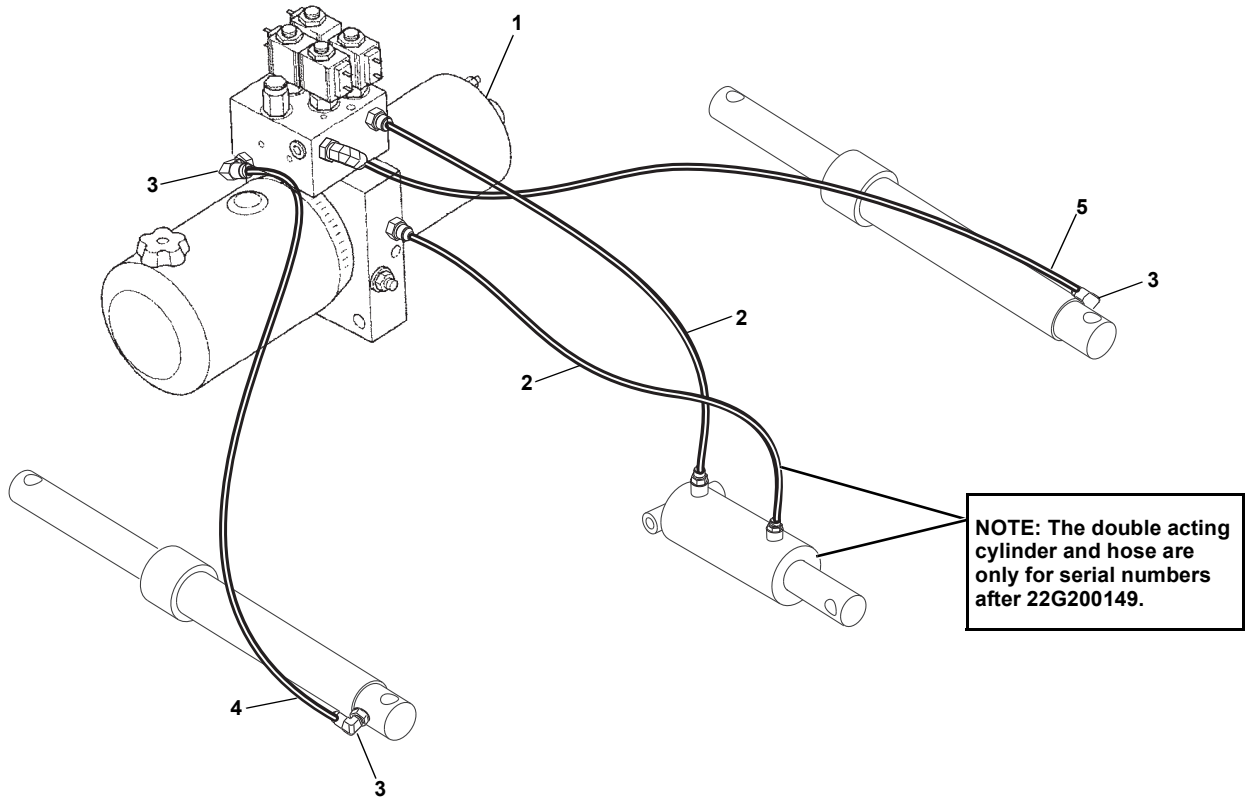
BLADES



BLADES

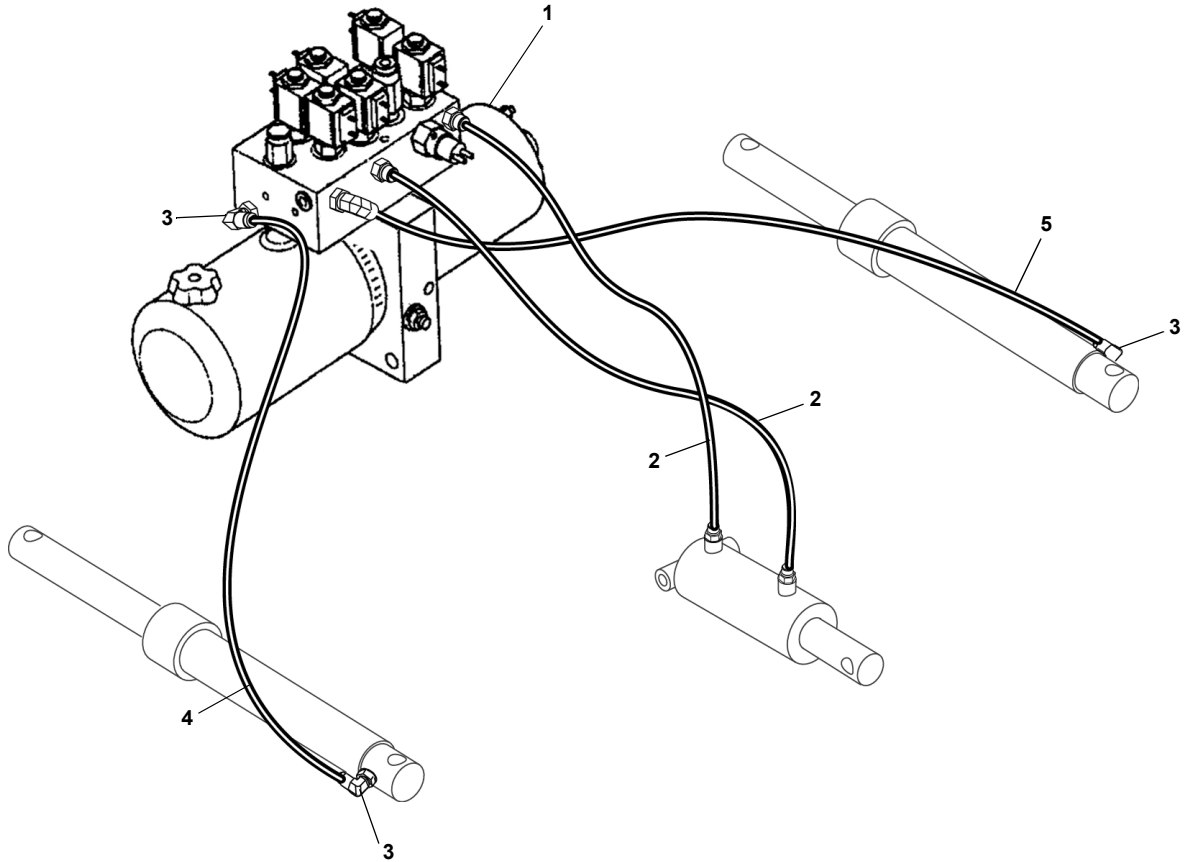
ITEM	PART NO.	DESCRIPTION	QTY
1	96112352	Kit, Guide, Blade (includes 2 Guides and Mounting Hardware).....	1
2		Frame, 72"	1
		Frame, 80"	1
		Frame, 90".....	1
3	97100018	Decal, Warning.....	2
4	96107793	Kit, Skin, Polycarbonate, 72" (includes "Sno-Way" Decal).....	1
	96107794	Kit, Skin, Polycarbonate, 80" (includes "Sno-Way" Decal).....	1
	96107795	Kit, Skin, Polycarbonate, 90" (includes "Sno-Way" Decal).....	1
5	97100912	Decal, Sno-Way (used with Polycarbonate Blade).....	1
6	96107796	Kit, Wearstrip, Steel, 72"	1
	96107797	Kit, Wearstrip, Steel, 80"	1
	96107798	Kit, Wearstrip, Steel, 90"	1
	96110124	Kit, Wearstrip, Steel, 80" HD	1
	96110125	Kit, Wearstrip, Steel, 90" HD	1
7	98009009	Nut, Hex., Nylock, 3/8"-16	9
8	98009061	Bolt, Carriage, Gr. 5, 3/8"-16 x 1-1/2"	9
9	96108011	Kit, Wearstrip, Poly, 72"	1
	96108012	Kit, Wearstrip, Poly, 80"	1
	96108013	Kit, Wearstrip, Poly, 90"	1
10	98009008	Washer, Lock, 3/8"	9
11	98009077	Nut, Hex, 3/8"-16.....	9
12	96001191	Assembly, Shoe	2
13		Shoe, Cast, 3/4" Shaft.....	1
14	98009127	Washer, Flat, 7/8".....	25
15	98100538	Pin, Lynch, 5/16" x 1-5/8"	1
16	99100490	Kit, Deflector, Curled (all blades, includes Hardware).....	1
17	96101257	Hardware Kit, Curled Deflector	1
18	96113763	End Cap	2

HYDRAULIC SYSTEM GRAVITY DOWN



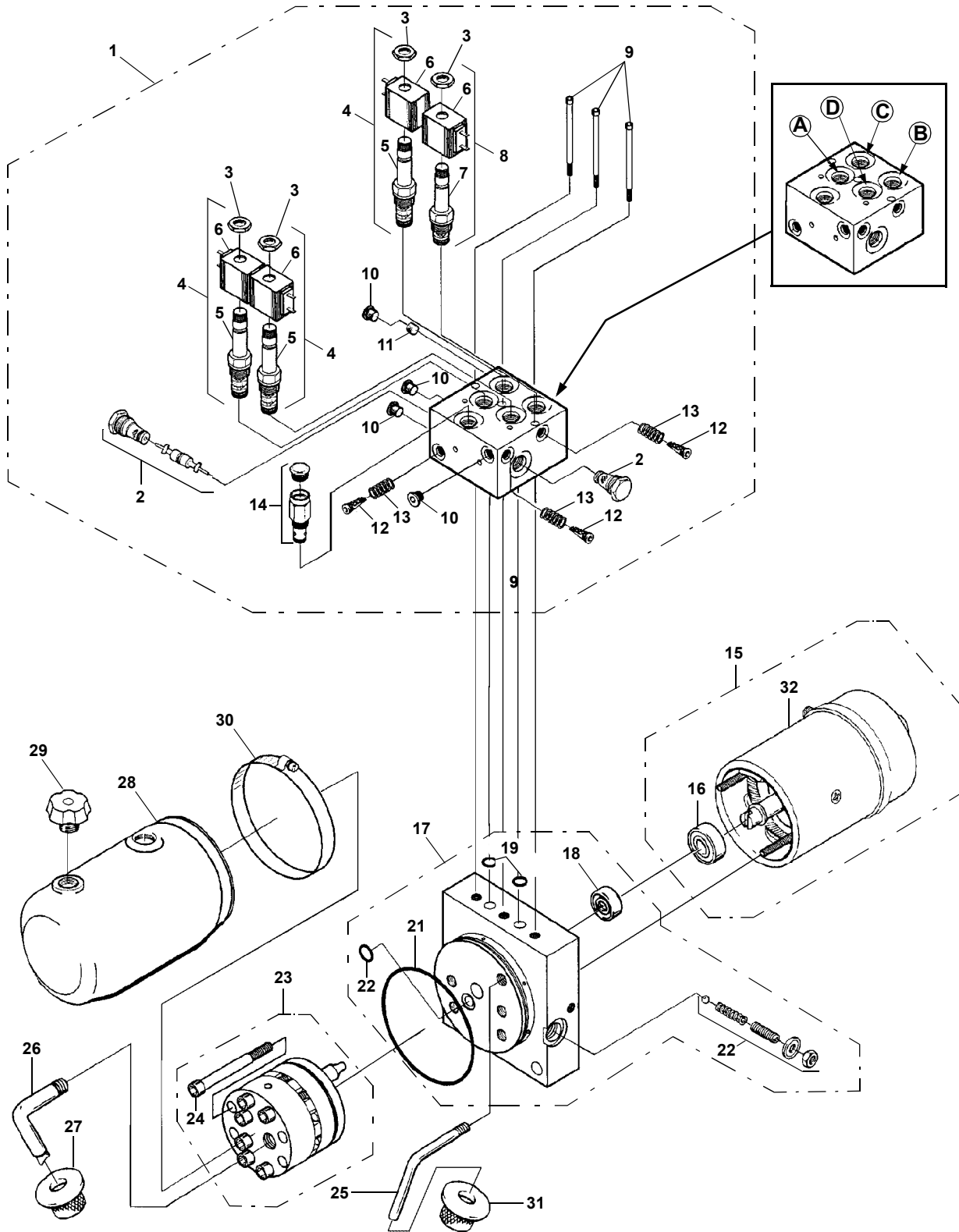
ITEM	PART NO.	DESCRIPTION	QTY
1		Power Unit, Gravity, 22 (See page 11 for parts breakdown).....	1
2	96106069	Hose, Hydraulic, 18-3/4"	2
3	96100001	Fitting, Elbow, 90°	3
4	96113791	Hose, Hydraulic, 27-1/2"	1
5	96106071	Hose, Hydraulic, 32"	1

HYDRAULIC SYSTEM DOWN PRESSURE



ITEM	PART NO.	DESCRIPTION	QTY
1		Power Unit, DP, 22 (See page 13 or page 15 for parts breakdown)..	1
2	96106069	Hose, Hydraulic, 18-3/4"	2
3	96100001	Fitting, Elbow, 90°	3
4	96113791	Hose, Hydraulic, 27-1/2"	1
5	96106071	Hose, Hydraulic, 32"	1

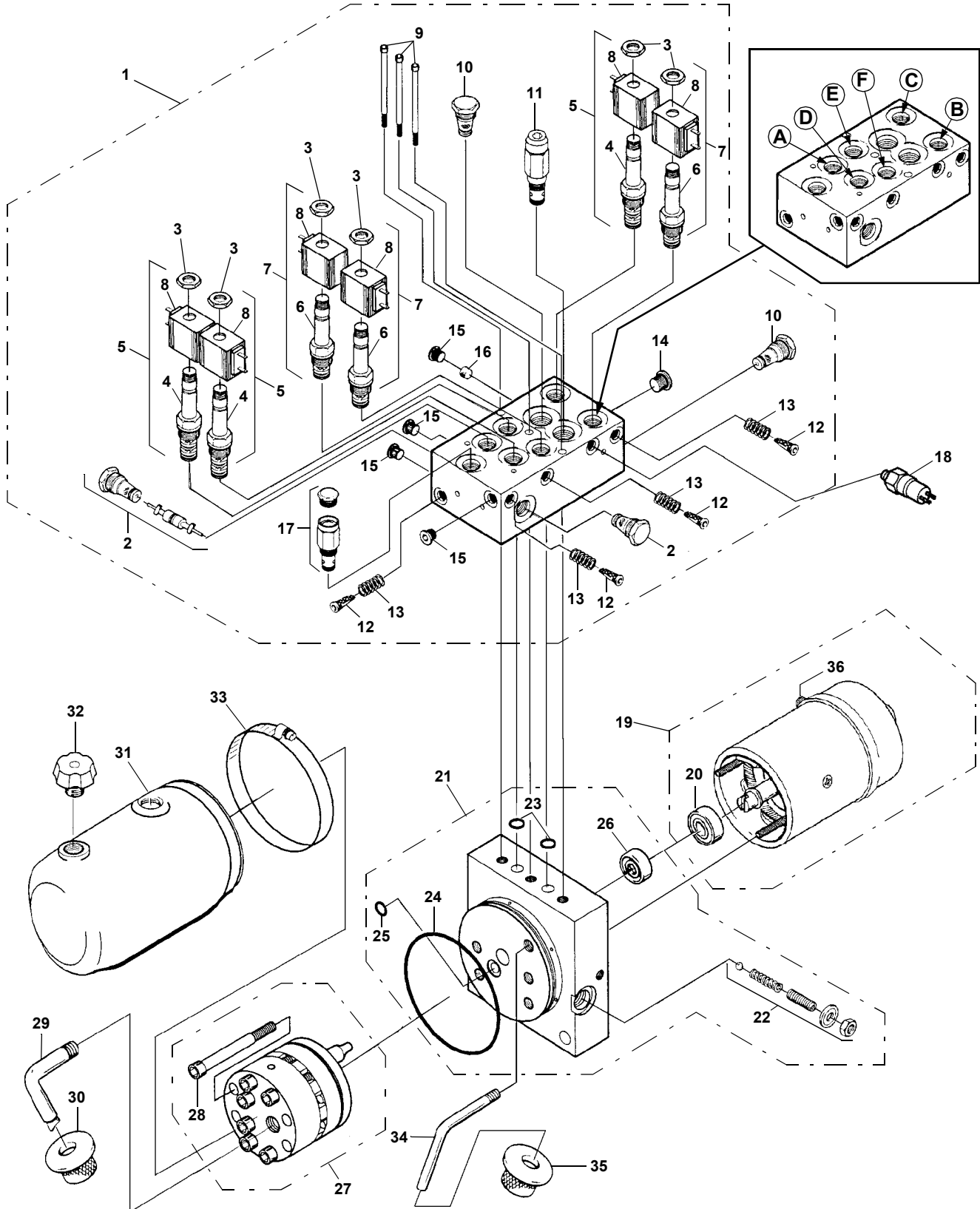
HYDRAULIC POWER UNIT GRAVITY DOWN SYSTEM



HYDRAULIC POWER UNIT GRAVITY DOWN SYSTEM

ITEM	PART NO.	DESCRIPTION	QTY
1		Valve Assembly.....	1
2	96112948	Valve, Check.....	1
3	96105275	Nut, Coil Retaining.....	4
4		Kit, Valve, 3-Way, 10V DC (Red Coil) - Use part 96112584.....	3
	96112584	Kit, Valve, 3-Way, 10V DC (Black Coil).....	3
5		Cartridge 3-Way (Red Coil) - Use part 96112584.....	3
	96108324	Cartridge, 3-Way (Black Coil).....	3
6	96111171	Coil, 10V DC (Blue Or Black Coil).....	1
7		Cartridge, 2-Way (Red Coil) - Use part 96112583.....	1
	96108325	Cartridge, 2-Way (Blue Or Black Coil).....	1
8		Kit, Valve, 2-Way, 10V DC (Red Coil) - Use part 96112583.....	1
	96112583	Kit, Valve, 2-Way, 10V DC (Blue Coil).....	1
9	96105237	Screw.....	3
10	96105234	Fitting, Plug.....	4
11	96105422	Fitting, Orifice, 0.0468 dia.....	1
	96108627	Kit, Orifice (to adjust drop rate).....	1
12	96105250	Screen, Inline.....	3
13	96105251	Spring, Retaining.....	3
14	96105243	Valve, Relief, Crossover (2000 psi).....	1
15	96106802	Motor, 12V DC.....	1
16		Bearing, Motor Base.....	1
17		Base Assembly, Pump.....	1
18	96105317	Seal, Shaft.....	1
19	96105314	O-Ring.....	2
20	96105313	Kit, System Relief Valve.....	1
21	96105315	O-Ring.....	1
22	96105316	O-Ring.....	1
23	96107803	Pump Assembly.....	1
24		Screw, Socket Head Cap.....	4
25	96115249	Tube, Return (For S.N. Before 22G200076).....	1
	96114440	Tube, Return (For S.N. 22G200076 and After).....	1
26	96105246	Tube, Suction.....	1
27	96105245	Filter, Suction.....	1
28	96105241	Reservoir.....	1
29	96105244	Filler Cap.....	1
30	96105231	Clamp.....	1
31	96105318	Filter, Return (For Before SN 22G200076).....	1
	96105245	Filter, Return (For SN 22G200076 And After).....	1
32	96106803	Brush, Replacement Kit.....	1

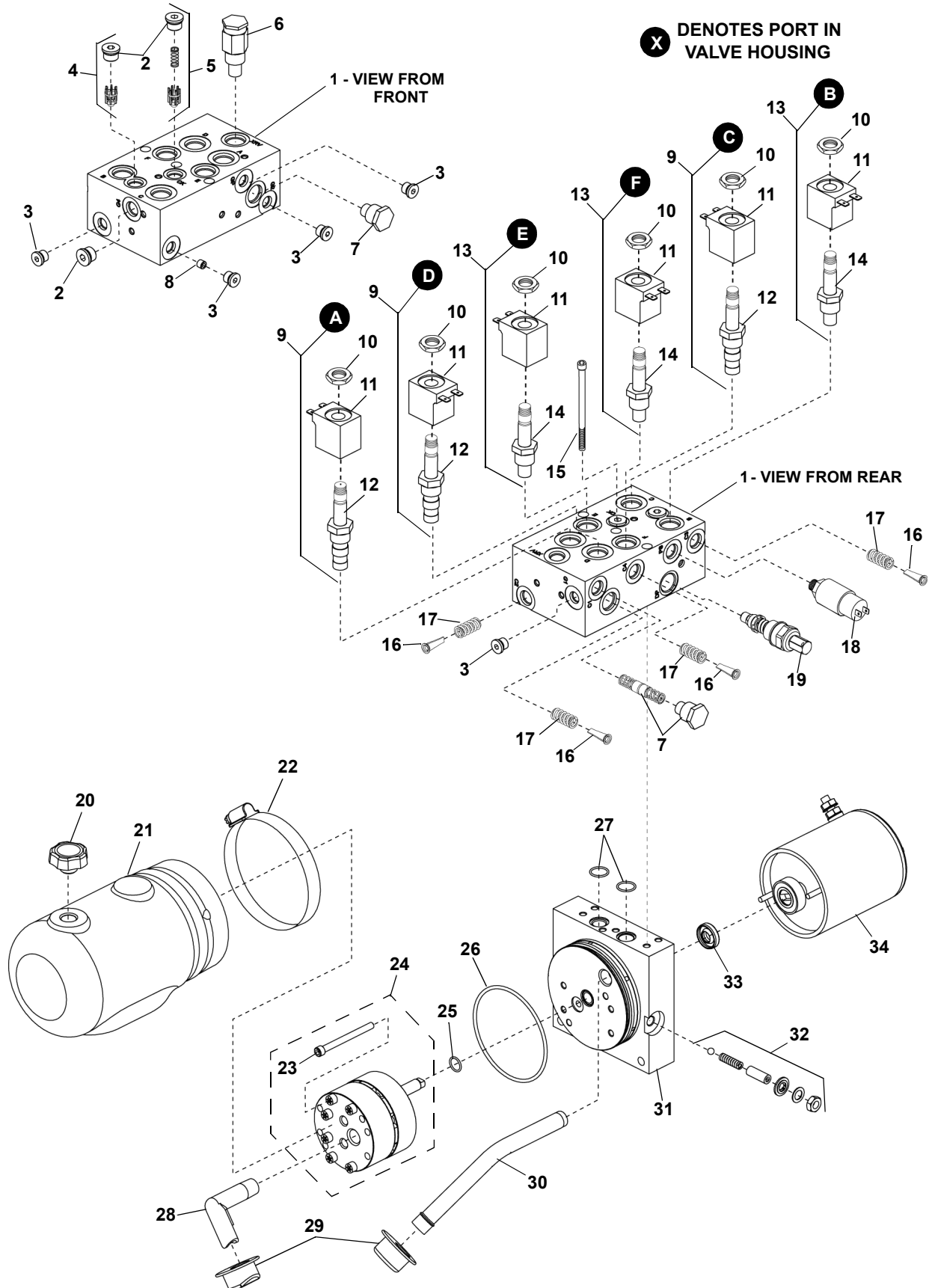
HYDRAULIC POWER UNIT DOWN PRESSURE SYSTEM With S.N. Before: 22D201092



HYDRAULIC POWER UNIT DOWN PRESSURE SYSTEM With S.N. Before: 22D201092

ITEM	PART NO.	DESCRIPTION	QTY
1		Valve Assembly.....	1
2	96112948	Valve, Check.....	1
3	96105275	Nut, Coil Retaining.....	6
4		Cartridge, 3-Way (Red Coil) - Use part 96112584.....	3
	96108324	Cartridge, 3-Way.....	3
5		Kit, Valve, 3-Way, 10V DC (Red Coil) - Use part 96112584.....	3
	96112584	Kit, Valve, 3-Way, 10V DC (Black Coil).....	3
6		Cartridge, 2-Way (Red Coil) - Use part 96112583.....	3
	96108325	Cartridge, 2-Way (Blue Or Black Coil).....	3
7		Kit, Valve, 2-Way, 10V DC (Red Coil) - Use part 96112583.....	3
	96112583	Kit, Valve, 2-Way, 10V DC.....	3
8	96111171	Coil, 10V DC (Blue Or Black Coil).....	3
9	96105237	Screw.....	3
10	96105238	Valve, Check.....	2
11	96105253	Valve, Relief, Down Pressure (460-500 psi).....	1
12	96105250	Screen, Inline.....	4
13	96105251	Spring, Retaining.....	4
14	96105240	Fitting, Plug.....	2
15	96105234	Fitting, Plug.....	4
16	96105422	Fitting, Orifice, 0.0468 dia.....	1
	96108627	Kit, Orifice (to adjust drop rate).....	1
17	96105243	Valve, Relief, Crossover (2000 psi).....	1
18	96101976	Switch, Pressure (325 psi).....	1
19	96106802	Motor, 12V DC.....	1
20		Bearing, Motor Base.....	1
21		Base Assembly, Pump.....	1
22	96105313	Kit, System Relief Valve.....	1
23	96105314	O-Ring.....	2
24	96105315	O-Ring.....	1
25	96105316	O-Ring.....	1
26	96105317	Seal, Shaft.....	1
27	96107803	Pump Assembly.....	1
28		Screw, Socket Head Cap.....	4
29	96105246	Tube, Suction.....	1
30	96105245	Filter.....	1
31	96105241	Reservoir.....	1
32	96105244	Filler Cap.....	1
33	96105231	Clamp.....	1
34	96105249	Tube, Return.....	1
35	96105318	Filter, Return.....	1
36	96106803	Brush Replacement Kit.....	2

HYDRAULIC POWER UNIT DOWN PRESSURE SYSTEM With S.N. After: 22D201093



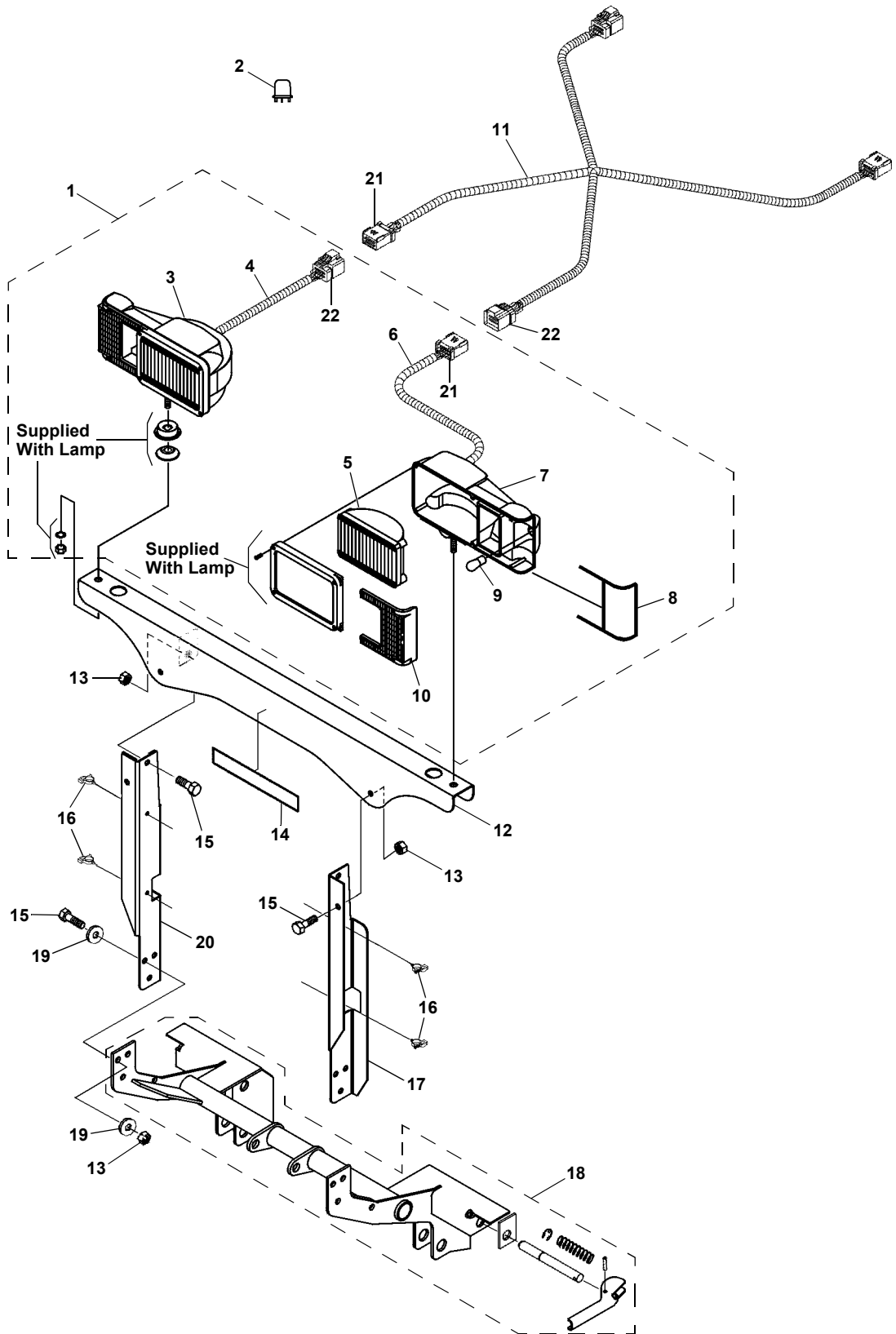
HYDRAULIC POWER UNIT DOWN PRESSURE SYSTEM

With S.N. After: 22D201093

ITEM	PART NO.	DESCRIPTION	QTY
1		Valve Housing	1
2	96105240	Plug, SAE O-Ring, 9/16"-18.....	3
3	96105234	Plug, SAE O-Ring, 7/16"-20.....	5
4	96114438	Poppet, Check (Float Circuit - without Spring).....	1
5	96114413	Kit, Poppet Check and Spring	1
6	96105243	Valve, Relief, Crossover (2000 psi).....	1
7	96112948	Kit, Check Valve (Includes 2 Check Valves, Piston Assembly and 2 Springs Per Kit).....	2
8	96105422	Plug, Orifice, 0.0468 Dia.	1
	96108627	Kit, Orifice (To Adjust Drop Rate).....	1
9	96112584	Kit, Valve, 3-Way, 10V (Includes 10, 11, 12).....	3
10	96105275	Nut, Coil	6
11	96111171	Coil, 10 VDC	6
12	96118324	Cartridge, 3W/2P	3
13	96112583	Kit, Valve, 2-Way, 10V (Includes 10, 11, 14).....	3
14	96118325	Cartridge, 2W/2P, NC, Poppet	3
15	96105237	Screw, Socket Head, 1/4"-20 X 3"	3
16	96105250	Filter Screen, Pressure Ports.....	4
17	96105251	Spring, Retaining, Port Filter	4
18	96101976	Switch, Pressure (325 psi)	1
19	96114446	Valve, Relief, Down Pressure (460-500 psi)	1
20	96105244	Plug, Breather	1
21	96105241	Reservoir, Plastic	1
22	96105231	Clamp.....	1
23		SHCS	4
24	96107803	Pump Assembly (Includes item 23)	1
25	96105316	O-Ring, 1/2" X 5/8" X 1/16"	1
26	96105315	O-Ring, 3-5/8" X 3-7/8" X 1/8".....	1
27	96105314	O-Ring, 5/8" X 3/4" X 1/16"	2
28	96105246	Tube, Suction, 90°, 3/8" NPT	1
29	96105245	Filter Screen.....	2
30	96114440	Tube, Return, 45°, 3/8" NPT	1
31		Base, Pump	1
32	96105313	Kit, System Relief Valve	1
33	96105317	Seal, Shaft	1
34	96106802	Motor, 12VDC	1

AUXILIARY LIGHTS

S.N.: 22D100000-22D201431, 22G100000-22G200084



AUXILIARY LIGHTS

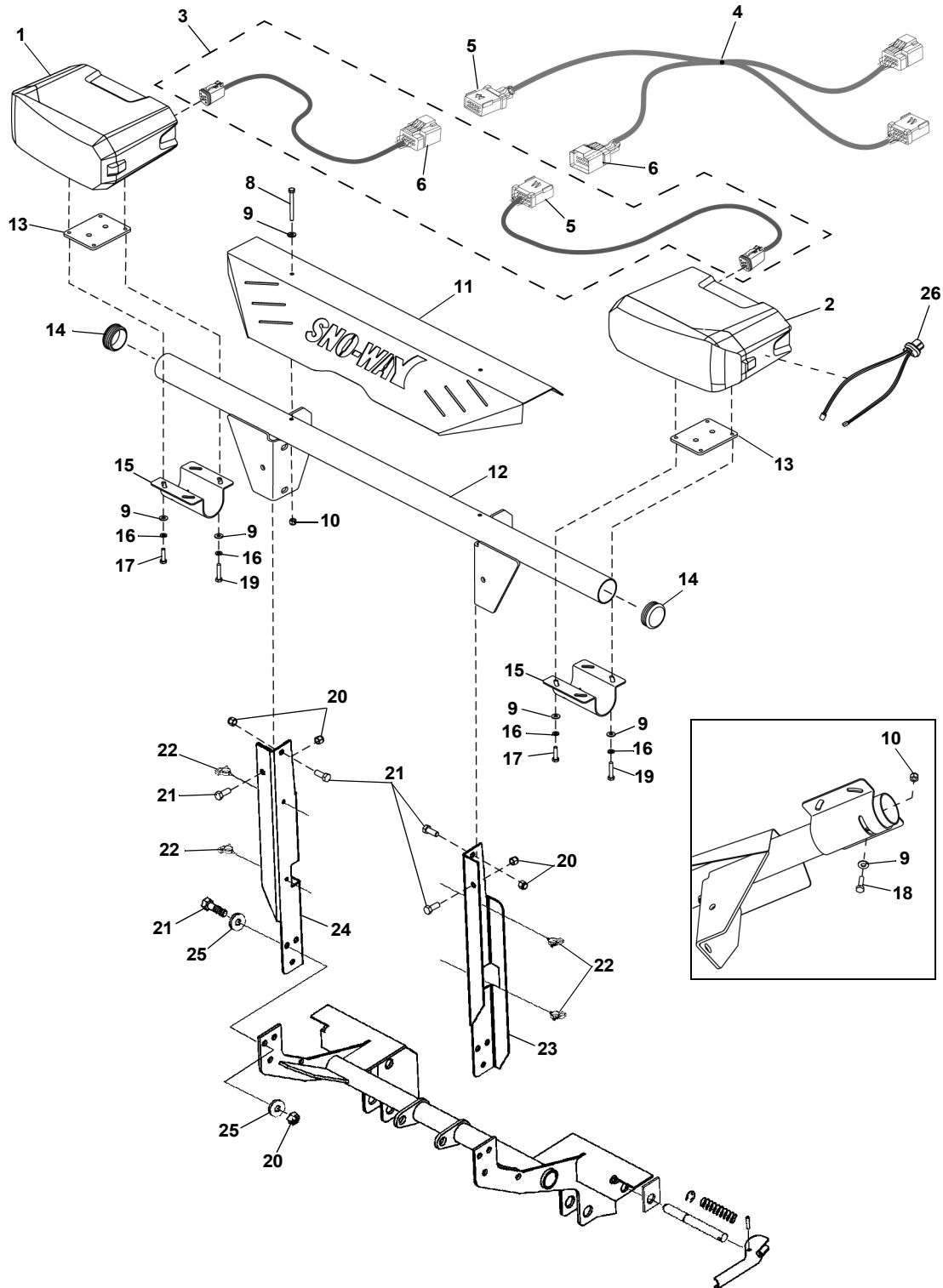
S.N.: 22D100000-22D201431, 22G100000-22G200084

ITEM	PART NO.	DESCRIPTION	QTY
1	96107893	Kit, Lamp, EIS	1
2	96003010	Flasher	1
3	96107984	Light, Assembly, RH, EIS	1
4		Harness, Plow Light, RH, EIS	1
5	96100514	Lamp, Sealed Beam	2
6		Harness, Plow Light, LH, EIS.....	1
7	96107983	Light, Assembly, LH, EIS.....	1
8		Gasket, Turn Signal	2
9	96003060	Lamp, Park & Turn	2
10		Lens, Turn Signal	2
11	96115630	Harness, Wiring, Main Light, EIS*	1
12	96108030	Assy., Light Bar	1
13	98009009	Nut, Hex., Nylock, 3/8"-16.....	10
14		Decal, Sno-Way	1
15	98009022	Capscrew, Hex., 3/8"-16 x 1"	10
16	96100440	Clip, Rosebud	4
17	96106988	Support, LH, 22 Series.....	1
18	96107550	Assembly, Light/Lift Bar, Quick-Attach	1
19	98009032	Washer, Flat, 3/8".....	6
20	96106989	Support, RH, 22 Series	1
21	96108116	Connector, Male.....	2
22	96108117	Connector, Female.....	2

*** NOTE: Adapter required. See Application Guide**

AUXILIARY LIGHTS

S.N.: 22D201432, 22G200085 AND AFTER

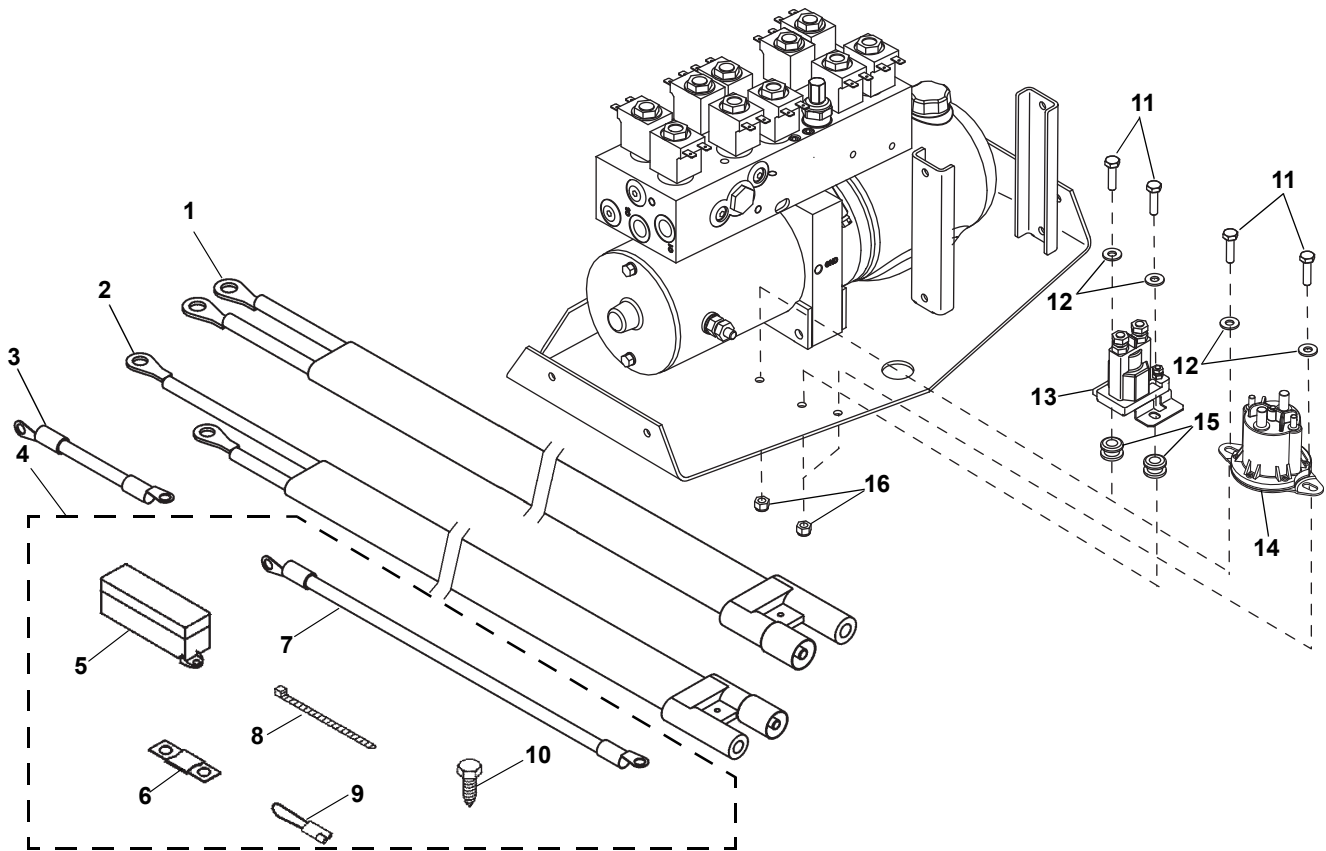


AUXILIARY LIGHTS

S.N.: 22D201432, 22G200085 AND AFTER

ITEM	PART NO.	DESCRIPTION	QTY
1	96113768	Light Assembly, Composite, PS, EIS	1
2	96113767	Light Assembly, Composite, DS, EIS	1
3	96110260	Kit, Harness, Plow Light, EIS	1
4	96115630	Harness, Main Light, EIS	1
5	96108116	Connector, Male	2
6	96108117	Connector, Female	2
7	96107550	Assembly, Light/Lift Bar, Quick-Attach (Includes items 8-12).....	1
8	98100049	Capscrew, Hex., 1/4"-20 x 2-1/2", SS	2
9	98100240	Washer, Flat, 1/4", SS	12
10	98100336	Nut, Hex., Nylock, 1/4"-20, SS	2
11	96113645	Plate, Sno-Way, Front	1
12	96113690	Weldment, Upper Light Bar	1
13	96113649	Isolator, Rubber	2
14	96108873	End Cap, 2"	2
15	96113583	Bracket, Light Assembly	2
16	98009226	Washer, Lock, 1/4", SS	4
17	98100129	Capscrew, Hex., 1/4"-20 x 1", SS	4
18	98100343	Capscrew, Hex., 1/4"-20 x 7/8", SS	2
19	98100335	Capscrew, Hex., 1/4"-20 x 1-1/4", SS	4
20	98009009	Nut, Hex., Nylock, 3/8"-16	10
21	98009022	Capscrew, Hex., 3/8"-16 x 1"	10
22	96100440	Clip, Rosebud	4
23	96106988	Support, LH, 22 Series	1
24	96106989	Support, RH, 22 Series	1
25	98009032	Washer, Flat, 3/8"	6
26	96115629	Kit, Repair, Light Harness (Internal)	1

POWER PACK WIRING



NOTE: See manual 97101915 - Snow Plow and Spreader Controls, for parts breakdown and details on your specific control. Image is only a representation of a controller and may not reflect actual product.

ITEM	PART NO.	DESCRIPTION	QTY
1	96104221	Harness, Battery Power	1
2	96104230	Harness, Plow Power	1
3	96105273	Harness, Solenoid	1
4	96105167	Bag Power Harness Parts	1
5	96109143	Fuse Holder	1
6	96109142	Fuse, 250 Amp	1
7	96102891	Cable, Power	1
8		Strap, Tie Plastic	2
9	96105082	Cap, Protective	2
10	98100037	Screw, Self Tapping, #10-16 x 1"	2
11	98009027	Capscrew, Hex, 1/4"-20 x 1"	2
12	98100254	Washer, Flat, 1/4"	2
13	96002086	Switch, Solenoid (Early Model)	1
14	96115722	Switch, Solenoid (Late Model)	1
15	96105282	Grommet, 3/8" ID (Used with item 13 only)	2
16	98100255	Nut, Hex Head Nylock, 1/4"-20	2

NOTES

NUMERICAL INDEX

PART NO.	PAGE	ITEM	PART NO.	PAGE	ITEM	PART NO.	PAGE	ITEM
96001191	8	12		14	29	96106884	4	24
96002086	21	13		16	28	96106885	4	18
96003010	18	2	96105249	14	34	96106889	6	65
96003060	18	9	96105250	12	12	96106893	4	27
96100001	9	3		14	12	96106894	4	27
	10	3		16	16	96106903	6	66
96100440	18	16	96105251	12	13	96106958	4	16
	20	22		14	13	96106986	6	46
96100514	18	5		16	17	96106988	18	17
96101257	8	17	96105253	14	11		20	23
96101891	6	38	96105273	21	3	96106989	18	20
96101976	14	18	96105275	12	3		20	24
	16	18		14	3	96107128	4	9
96102168	4	32		16	10	96107130	4	11
96102781	6	64	96105278	4	29	96107512	6	53
96102891	21	7	96105282	21	15	96107550	4	5A
96104221	21	1	96105313	12	20		18	18
96104230	21	2		14	22		20	7
96105082	21	9		16	32	96107710	6	55
96105167	21	4	96105314	12	19	96107711	6	40
96105231	12	30		14	23	96107769	4	29
	14	33	96105315	12	21	96107793	8	4
	16	22		14	24	96107794	8	4
96105234	12	10		16	26	96107795	8	4
	14	15	96105316	12	22	96107796	8	6
	16	3		14	25	96107797	8	6
96105237	12	9	96105317	12	18	96107798	8	6
	14	9		14	26	96107803	12	23
	16	15		16	33		14	27
96105238	14	10	96105318	12	31		16	24
96105240	14	14		14	35	96107893	18	1
	16	2	96105422	12	11	96107983	18	7
96105241	12	28		14	16	96107984	18	3
	14	31		16	8	96108011	8	9
	16	21	96106069	9	2	96108012	8	9
96105243	12	14		10	2	96108013	8	9
	14	17	96106071	9	5	96108030	18	12
	16	6		10	5	96108116	18	21
96105244	12	29	96106391	6	60		20	5
	14	32	96106605	6	39	96108117	18	22
	16	20	96106802	12	15		20	6
96105245	12	27		14	19	96108324	12	5
	12	31		16	34		14	4
	14	30	96106803	12	32			
	16	29		14	36			
96105246	12	26						

NUMERICAL INDEX

PART NO.	PAGE	ITEM	PART NO.	PAGE	ITEM	PART NO.	PAGE	ITEM
96108325	12	7		16	30	98100129	20	17
	14	6	96114446	16	19	98100172	4	19
96108338	6	59	96114511	4	1	98100176	4	22
96108627	12	11	96115249	12	25	98100240	20	9
	14	16	96115629	20	26	98100251	4	33
	16	8	96115630	18	11	98100254	6	37
96108873	20	14		20	4		21	12
96108875	4	7	96115722	21	14	98100255	6	50
96109142	21	6	96118324	16	12		21	16
96109143	21	5	96118325	16	14	98100264	6	73
96109928	4	16	97100018	8	3	98100266	6	67
96110124	8	6	97100400	4	6	98100312	4	10
96110125	8	6	97100912	8	5	98100313	4	12
96110260	20	3	98009008	8	10	98100320	6	62
96110393	4	23	98009009	6	49	98100322	6	47
96110515	4	8		8	7	98100323	6	71
96110951	6	52		18	13	98100324	6	54
96111171	12	6		20	20	98100326	4	14
	14	8	98009013	4	20	98100335	20	19
	16	11	98009022	6	70	98100336	20	10
96112352	8	1		18	15	98100340	6	57
96112583	12	8		20	21	98100341	4	26
	14	7	98009027	6	36	98100343	20	18
	16	13		21	11	98100390	4	25
96112584	12	4	98009030	6	61	98100538	8	15
	14	5	98009032	6	41	99100490	8	16
	16	9		18	19			
96112948	12	2		20	25			
	14	2	98009038	4	17			
	16	7	98009061	8	8			
96113427	4	1	98009077	8	11			
96113472	6	72	98009078	6	63			
96113583	20	15	98009085	4	15			
96113645	20	11	98009114	4	34			
96113649	20	13	98009127	8	14			
96113690	20	12	98009150	6	74			
96113763	8	18	98009197	4	28			
96113767	20	2	98009226	20	16			
96113768	20	1	98019176	6	68			
96113791	9	4	98019230	6	69			
	10	4	98100010	4	21			
96114413	16	5	98100037	21	10			
96114438	16	4	98100049	20	8			
96114440	12	25						

NOTES

NOTES

SNO-WAY[®] INTERNATIONAL, INC.



Hartford, WI 53027 USA
Website: www.snoway.com
©2023 Sno-Way[®] International