

SNO-WAY®

INSTALLATION & OWNER'S MANUAL

26 SERIES SNOW PLOWS

**FOR PLOW SERIAL NUMBERS
26D100000 - 26D100149**

TABLE OF CONTENTS

	Page
INTRODUCTION	2
SAFETY	3
INSTALLATION INSTRUCTIONS	4
General	4
Electrical Installation.....	4
Mechanical Installation	5
Mounting Snow Plow To Vehicle	9
Installing The Cylinder Lock Clamp.....	11
Removing Snow Plow From Vehicle	11
MAINTENANCE	13
General	13
Break In Period	13
To Remove Excessive Free Play	13
Periodic Inspection	13
Plow Storage	13
Polycarbonate Blade Care	14
Polycarbonate Blade Cleaning Instructions	14
Fluid Requirements.....	14
Changing Oil and Cleaning Filter Screen.....	14
Cutting Edge.....	16
Disk Shoe Adjustment.....	16
Trip Spring Adjustment.....	16
PLOWING OPERATION.....	17
Operating Classes	17
Before the Season Begins	17
Transporting Vehicle With Plow Attached.....	17
Plowing Like A Pro	17
Using The Down Pressure (DP) Hydraulic Systems	18
Clearing Driveways	18
Clearing Parking Lots	18
TROUBLESHOOTING	19
Troubleshooting Chart	19
THEORY OF OPERATION.....	22
Hydraulic Power Unit	22
Hydraulic Controls	22
Electro-Hydraulic Operation.....	22
Raise Mode Of Operation	22
Lower Mode Of Operation - Gravity Down and Float.....	22
Down Pressure (DP) System	23
Angle Left or Right Mode of Operation	23
Circuit Breaker	23
HYDRAULIC SCHEMATIC (GRAVITY DOWN SYSTEM)	24
HYDRAULIC SCHEMATIC (DOWN PRESSURE SYSTEM)	25
WIRING SCHEMATIC (GRAVITY DOWN SYSTEM)	26
WIRING SCHEMATIC (DOWN PRESSURE SYSTEM)	27
TORQUE SPECIFICATIONS.....	28
WARRANTY	29
DEALER CHECKLISTS.....	BACK COVER

INTRODUCTION

This manual was written for the assembly, installation and maintenance of your new Sno-Way plow. Most importantly, this manual provides an operating plan for safe use. Refer to the Table of Contents for an outline of this manual.

Please keep this manual with your machine at all times as reference material and so it can be passed on to the next owner if the machine is sold.

We require that you read and understand the contents of this manual COMPLETELY, especially the chapter on SAFETY, before attempting any procedure contained in this manual.



The Society of Automotive Engineers has adopted this SAFETY ALERT SYMBOL to pinpoint characteristics that, if NOT carefully followed, can create a safety hazard. When you see this symbol in this manual or on the machine itself, BE ALERT!, your personal safety and the safety of others, is involved.

• Defined in the next column, are the SAFETY ALERT messages and how they will appear in this manual.

	WARNING
FAILURE TO FOLLOW CAN RESULT IN INJURY OR DEATH.	

	CAUTION
Information, that if not carefully followed, can cause injury or damage to equipment!	

NOTE: Additional information concerning the equipment or the procedure that may or may not be contained elsewhere in this manual.

BE AWARE! It is illegal to remove, deface or otherwise alter the safety decals mounted on this equipment.

Record the Power Pack Model Number, Power Pack Serial Number, Controller Serial Numbers, Blade Model Number, Blade Serial Number and the Pump Serial Number in the space provided below as a handy record for quick reference. The Power Pack Serial Number is located on the pump platform, the blade serial number is located on

one of the middle ribs of the blade. This plate contains information that your Dealer needs to answer questions or to order replacement parts, if needed, for your unit.

NAME PLATE DATA	
POWER PACK MODEL NUMBER	_____
POWER PACK SERIAL NUMBER <small>(Located on Pump Platform)</small>	_____
CONTROLLER SERIAL NUMBERS:	
TRANSMITTER S.N.	_____
RECEIVER S.N.	_____
BLADE MODEL NUMBER	_____
BLADE SERIAL NUMBER <small>(Located on Blade Frame)</small>	_____
PUMP SERIAL NUMBER	_____
(FILL IN)	

DEALER	
NAME	_____
ADDRESS	_____
CITY	_____ STATE _____ ZIP _____
PHONE ()-	_____
(FILL IN)	

ORIGINAL PURCHASER	
NAME	_____
ADDRESS	_____
CITY	_____ STATE _____ ZIP _____
PHONE ()-	_____
(FILL IN)	

We reserve the right to make changes or improve the design or construction of any part(s) without incurring the obligation to install such parts or make any changes on any unit previously delivered.

Sno-Way Service Parts Manuals are available for purchase from your authorized Sno-Way dealer. Request part number 97101026 for the 26 Series Snow Plow. Factory contact information is available at www.snoway.com.



SAFETY



BEFORE ATTEMPTING ANY PROCEDURE IN THIS BOOK, READ AND UNDERSTAND ALL THE SAFETY INFORMATION CONTAINED IN THIS SECTION. IN ADDITION, ENSURE ALL INDIVIDUALS WORKING WITH YOU ARE ALSO FAMILIAR WITH THESE SAFETY PRECAUTIONS.

For your safety Warning and Information Decals have been placed on this product to remind the operator to take safety precautions. It is important that these decals are in place and are legible before operation begins. New decals can be obtained from Sno-Way or your local dealer.

REMEMBER The careful operator is the best operator. Most accidents are caused by human error. Certain precautions must be observed to prevent the possibility of injury to operator or bystanders and/or damage to equipment.

NEVER operate plow when under the influence of alcohol, drugs or other medications that could hamper your judgement and reactions. An accident may result in serious injury or death to other persons or yourself.

ALWAYS operate vehicle in a well-ventilated area. The carbon monoxide in exhaust gas is highly toxic and can cause serious injury or death.

NEVER allow hands, hair or clothing to get near any moving parts such as fan blades, belts and pulleys. Never wear neckties or loose clothing when working on the vehicle.

NEVER wear wrist watches, rings or other jewelry when working on the vehicle or individual equipment. These things can catch on moving parts or cause an electrical short circuit that could result in personal injury.

ALWAYS wear safety goggles when working on the vehicle to protect your eyes from battery acid, gasoline, and dust or dirt from flying off of moving engine parts.

ALWAYS be aware of and avoid contact with hot surfaces such as engine, radiator, and hoses.

ALWAYS wear safety glasses with side shields when striking metal against metal! In addition, it is recommended that a softer (non-chipable) metal material be used to cushion the blow. Failure to heed could result in injury to the eye(s) or other parts of the body.

NEVER allow children or unauthorized person to operate this unit.

NEVER exceed 45 m.p.h. when snow plow is attached to vehicle. Braking distances may be reduced and handling characteristics may be impaired at speeds above 45 m.p.h.

ALWAYS lock the vehicle when unattended to prevent unauthorized operation of the plow.

ALWAYS check the job site for terrain hazards, obstructions and people.

NEVER exceed 10 m.p.h. when plowing. Excessive speed may cause serious injury and damage of equipment and property if an unseen obstacle is encountered while plowing.

ALWAYS position blade so it does not block path of headlamps beam. Do not change blade positions while traveling. An incorrect plow position blocking headlamp beam may result in an accident.

ALWAYS check surrounding area for hazardous obstacles before operating this unit.

ALWAYS inspect the unit periodically for defects. Parts that are broken, missing or plainly worn must be replaced immediately. The unit, or any part of it should not be altered without prior written approval of the manufacturer.

ALWAYS insert the cylinder lock when plow is not in use. If the cylinder lock is not installed, the plow blade could inadvertently drop and cause injury.

ALWAYS shut off the vehicle engine, place the transmission in Neutral or Park, turn the ignition switch to the "OFF" position, firmly apply the parking brake of the vehicle and turn "OFF" the plow controller before attaching or detaching the blade from the vehicle or when making adjustments to the blade.

ALWAYS inspect lift system bolts and pins whenever attaching or detaching the plow, and before traveling. Worn or damaged components could result in the plow dropping to the pavement while driving, causing an accident.

ALWAYS keep hands and feet clear of blade and A-Frame when attaching or detaching plow.

NEVER place fingers in A-frame or mount lug holes to check alignment when attaching snow plow. Sudden motion of the plow could severely injure a finger.

NEVER stand between the vehicle and blade or directly in front of blade when it is being raised, lowered or angled. Clearance between vehicle and blade decreases as blade is operated and injury or death can result from blade striking a body or dropping on hands or feet.

NEVER work on the vehicle without having a fully serviced fire extinguisher available. A 5 lb or larger CO² or dry chemical unit specified for gasoline, chemical or electrical fires, is recommended.

NEVER smoke while working on the vehicle. Gasoline and battery acid vapors are extremely flammable and explosive.

NEVER use your hands to search for hydraulic fluid leaks; escaping fluid under pressure can be invisible and can penetrate the skin and cause injury! If any fluid is injected into the skin, see a doctor at once! Injected fluid **MUST** be surgically removed by a doctor familiar with this type of injury or gangrene may result.

REMEMBER it is the owner's responsibility for communicating information on the safe use and proper maintenance of this machine.

INSTALLATION INSTRUCTIONS

General

Install the sub-frame on the vehicle using the instructions supplied with the sub-frame package. The pin height should be 8" - 10" off the ground. (See Figure 1-1)

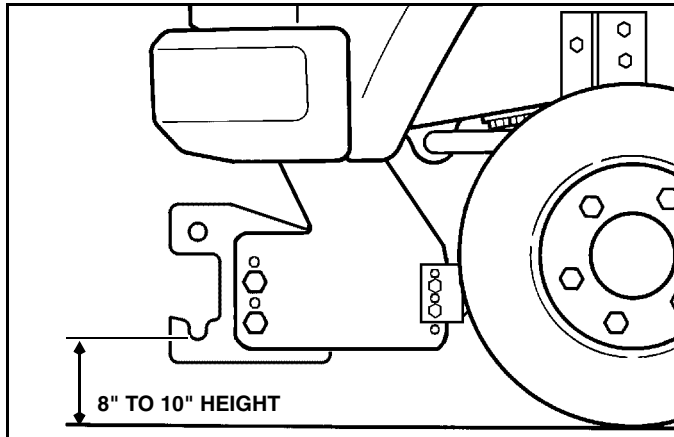



Figure 1-1

Electrical Installation

1. Remove the battery power harness and power harness parts bag from the power pack box.

NOTE: Take extra time needed to plan the routing of wiring harnesses. Make sure harnesses do not interfere with, or contact, any moving parts and route wires away from excessive heat areas. Read all the instructions carefully to ensure a safe and professional installation.

**WARNING**

Disconnect the vehicle NEG. (-) battery cable while performing steps 2 - 5 to avoid serious bodily injury from electrical shock, fire, or explosion. Do not re-connect battery cable until indicated in step 6.

FAILURE TO FOLLOW CAN RESULT IN INJURY OR DEATH

2. Mount the circuit breaker near the battery using (2) #10 x 1" self-tapping screws.

IMPORTANT: The circuit breaker must be placed in a location not subject to excessive heat. A preferred location is one that will receive airflow from the radiator fan. If possible, mount the circuit breaker so that the base is horizontal.

3. Attach the 2 ft. long power wire to the battery terminal of the circuit breaker and to the POS. (+) terminal of the battery. (See Figure 1-2).

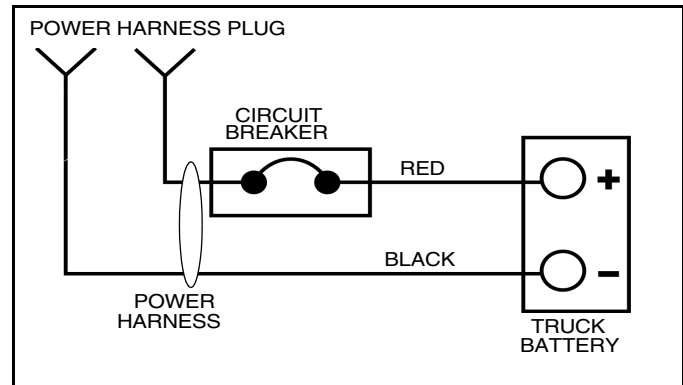


Figure 1-2

4. Attach the power harness red wire to the other terminal of the circuit breaker.

5. Route power harness to convenient point on front of vehicle for connection to plow.

6. Attach the power harness black wire to the NEG. (-) terminal of the battery and re-connect the negative battery terminal.

7. Spray all terminal connections with a battery terminal protective coating.

8. Secure harness with plastic tie straps.

9. Install truck control harness if needed, using instructions included with controls.

10. Install light harness using included instructions.

11. Apply included dielectric grease to all connectors.

NOTE: An adaptor is recommended for vehicles with a side post battery. (See Figure 1-3) (Adaptors can be purchased from your Sno-Way dealer, Part #96100773.

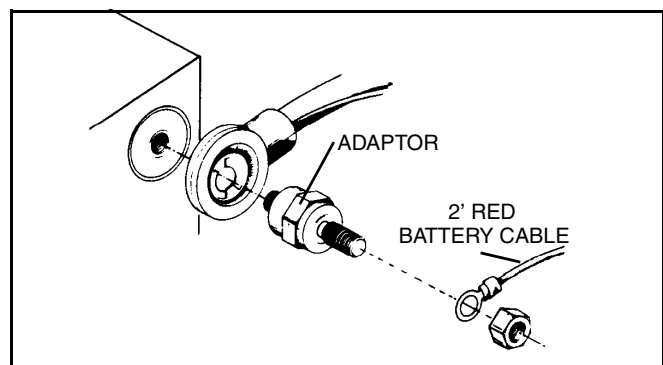


Figure 1-3

Mechanical Installation

1. Open the blade parts carton and the light bar carton, remove the blade parts bag (part number 96107549). The blade stops bag (part number 96107395) is inside the blade parts bag and contains the face plates and stop blocks.

2. Place metal face plate into the blade stops slot, then place stops between the lugs on the swing frame. Secure with 3/8" x 2-1/2" bolts and locking nuts. (See Figure 1-4). Bolts and nuts are in the blade parts bag.

NOTE: The 26 series blade uses green stops. Make sure the proper stops are installed.

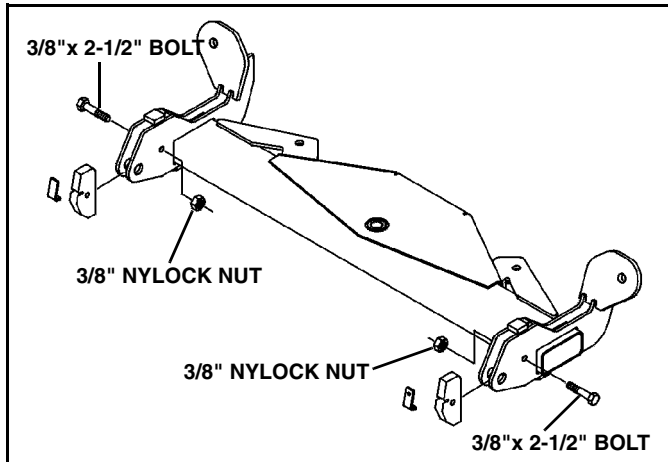


Figure 1-4

3. Lay blade face down on floor.

4. Place swing frame on blade and insert 3/4" x 2" clevis pin from blade parts bag. The ribs on either side of the center rib should be between the swing frame lugs. (See Figure 1-5).

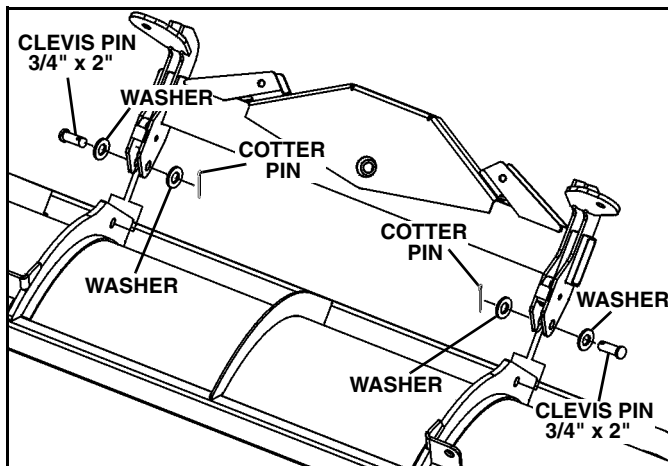


Figure 1-5

5. Insert washers on both ends of clevis pin and secure pin with cotter pin.

NOTE: Note: Make sure cotter pin is properly bent as in fig. 1-6 or pin may work loose.

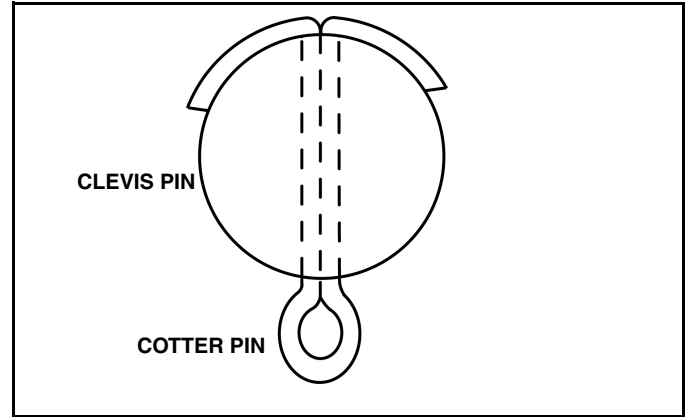


Figure 1-6

6. Remove the springs from the blade parts carton. Hook springs onto blade with open end of loop facing up. (See Figure 1-7).

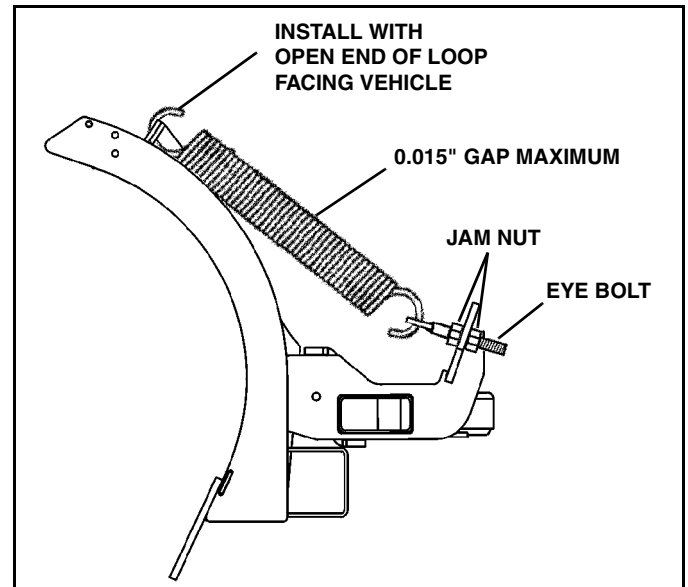


Figure 1-7

7. Hook other end of spring onto eyebolt. Insert one eyebolt on each side of the blade into the hole on the swing frame spring bracket. Use a nut on either side of bracket to secure. (See Figure 1-7).

8. Tighten springs until a .010" feeler gauge can pass between two or more coils. (A 3x5 postcard is approximately .010" thick.)



CAUTION

Do not over tighten springs. If more than .015" (1/64") gap appears between coils damage could occur during plowing.

Spring must be installed with open end of top loop facing vehicle. Bottom loop position will vary.

9. Remove swing cylinders and swing cylinder parts bag part number 96107548 from blade parts carton. Remove the A-frame parts bag part number 96107529 from the power pack carton.

10. Slide A-frame over top of the swing frame. Make sure the bell crank mounting brackets are on top. (See Figure 1-8).

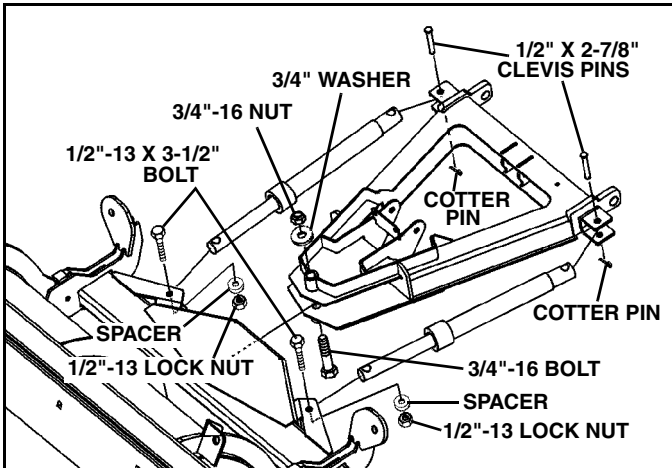


Figure 1-8

11. Lubricate the 3/4" bolt from the A-frame parts bag and insert it through the A-frame and swing frame. The bolt head should be on the bottom of the plow. Install the 3/4" nut and washer hand tight only. (See Figure 1-8)

12. Insert the swing cylinders and secure the base end with the 1/2" x 2-7/8" clevis pins in the swing cylinder parts bag. (See Figure 1-8). Install cotter pins and bend as in fig. 1-6 to ensure pins do not work loose. Secure the rod end with 1/2"-13 x 3-1/2" bolts and lock nuts. Be sure to place the spacer between the bottom of the rod and mounting bracket.

NOTE: Cylinders must be installed with ports away from A-frame.

13. Remove bell crank assembly from the power pack carton. (See Figure 1-9).

14. Secure the lift cylinder to the mounts on the A-frame using the 3/4" x 4" clevis pin in the A-frame parts bag. (See Figure 1-9). Install cotter pin and bend as in fig. 1-6 to ensure pin does not work loose.

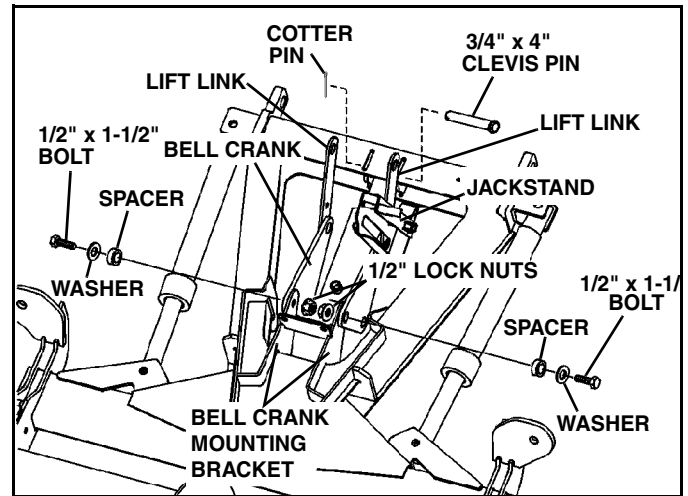


Figure 1-9

15. Move the bell crank into position on the outside of the bell crank mounting brackets. Remove bushings from A-frame parts bag and coat with anti-seize. Insert bushings into the bell crank. Use two 1/2" x 1-1/2" bolts with washers and 1/2" locking nuts to secure from the A-frame parts bag. (See Figure 1-9). Washers must be placed on the bushing side. Before tightening bolts, make sure lift links can swing up from bellcrank above A-frame as shown in fig. 1-9.

NOTE: Note: Washers are hardened. Using standard washers will cause severe bushing and bell crank wear.

16. Remove mounting parts bag part number 96107527 or 96107528 from power pack carton.

17. Place light/lift bar over A-frame lugs. (See Figure 1-10).

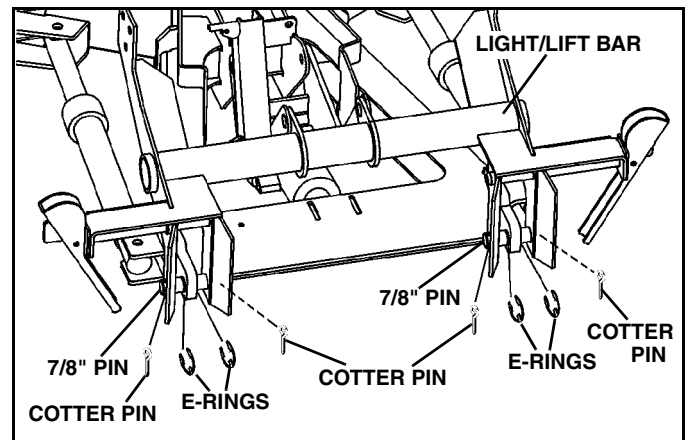


Figure 1-10

18. Insert the 7/8" pin from mounting parts bag through the light/lift bar and A-frame lug. (See Figure 1-10).

19. Insert the E-rings to hold center A-Frame lug. (See Figure 1-10). Insert cotter pins on each end of pin to hold pin in place. Bend cotter pins (See Figure 1-6) to ensure that pins do not work loose.

20. Pin the lift link to the light/lift bar using the 3/4" x 6" clevis pin from the mounting parts bag. (See Figure 1-11).

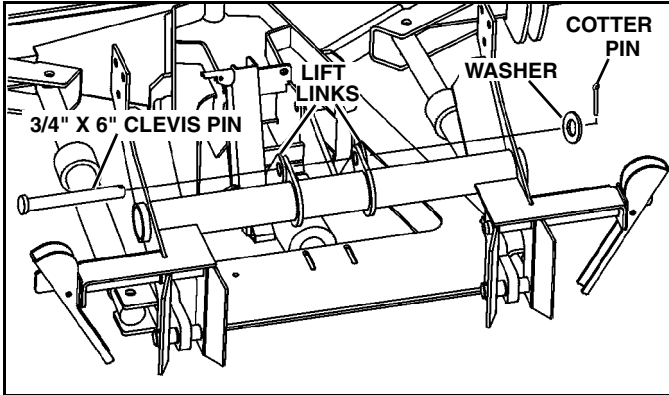


Figure 1-11

21. Install 3/4" washer and cotter pin. Install cotter pin and bend as in fig. 1-6 to ensure pin does not work loose.

22. Set aside cylinder lock clamp, and 5/16" wire lock pin for use when hitching plow to truck

23. Pull on rear of A-frame to rotate blade to upright position. Place blocking under rear of A-frame to support plow until assembly is complete.

24. Remove pump platform assembly and hydraulic hoses from power pack carton.

25. Remove 3/4" nut and washer from swing pin, slide pump platform over swing pin and replace nut and washer. (See Figure 1-12).

26. Tighten 3/4" self-locking nut.

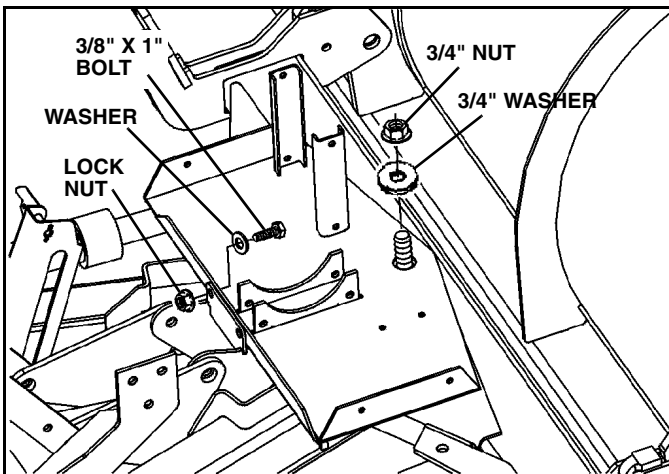


Figure 1-12

27. Install 3/8" x 1" bolts, washers and self-locking nuts through holes in back of pump platform and into bracket on A-frame. (See Figure 1-12).

28. Remove bag of parts from power unit. Place spring, then screen, into ports C1, C2, C3 and C4. The flange on the screen should face the fitting, which will hold it in place. (See Figure 1-13).

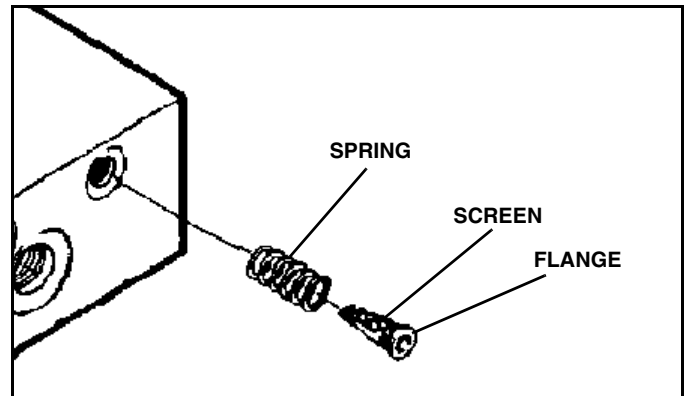


Figure 1-13

Install 90 deg. hydraulic fittings on swing cylinders and valve block port C1. Orient fittings as shown in fig. 1-14.

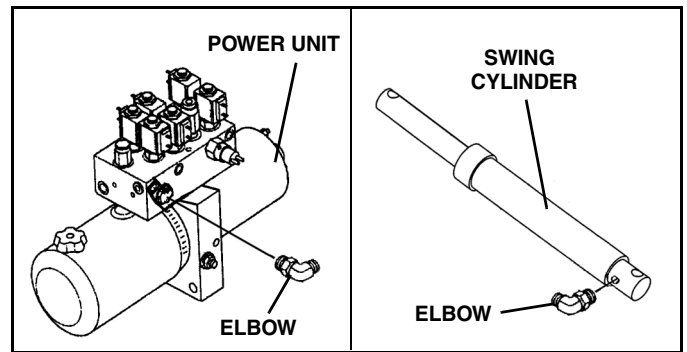


Figure 1-14

29. Install hydraulic hoses per fig. 1-15a for gravity plows and fig. 1-15b for plows with down pressure. Hose part numbers are printed on hose. Hoses should be routed through holes in pump cover. (See Figure 1-16).

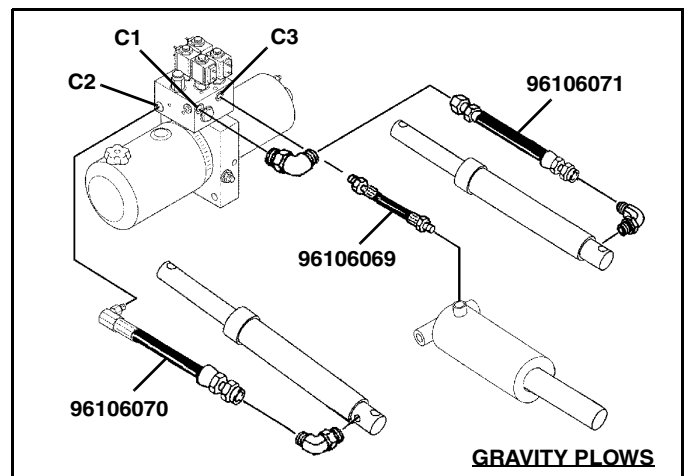


Figure 1-15a

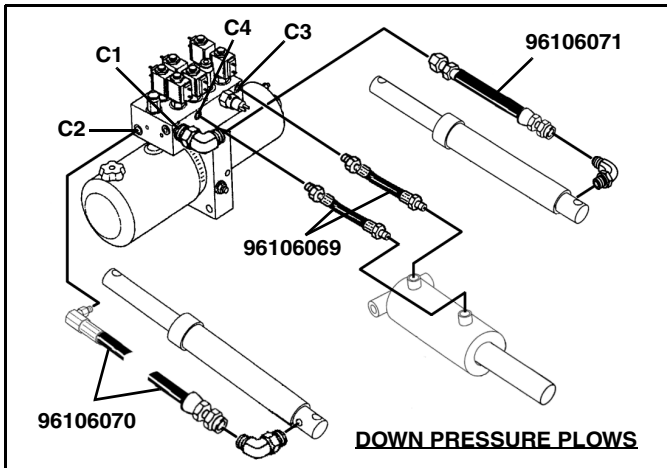


Figure 1-15b

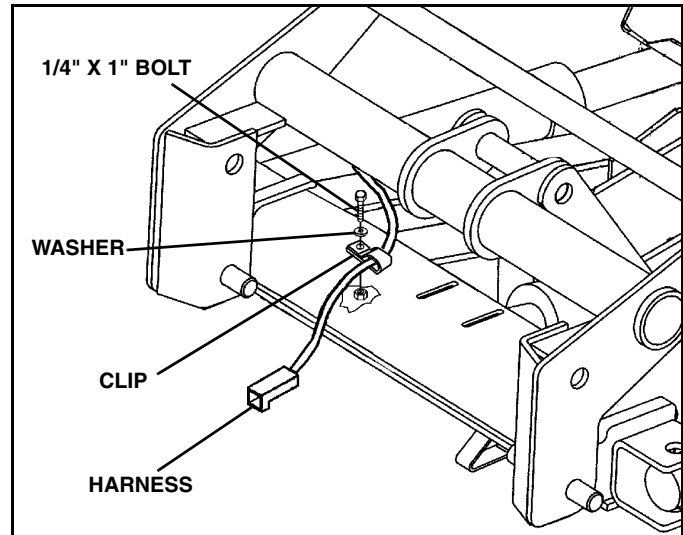


Figure 1-17

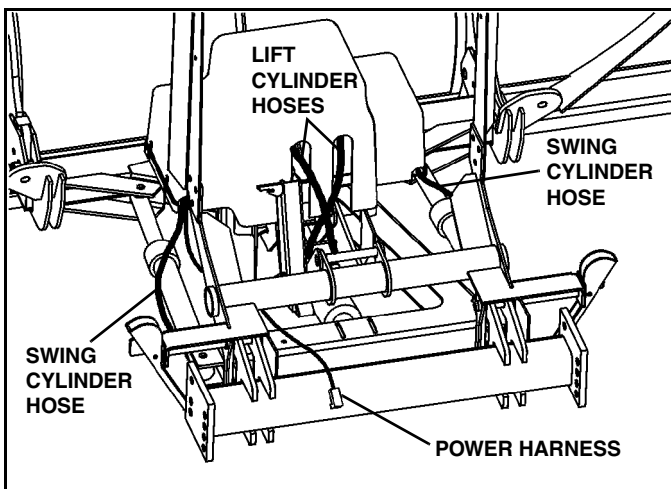


Figure 1-16

30. Install receiver using instruction included with controls package.

31. Run power harness towards back of plow. Secure with clip and 1/4" x 1" bolt, washer, and lock nut, found in A-frame parts bag, through hole in back of A-frame. (See Figure 1-17).

32. Disengage both pins on the jack stand by pulling the handles. Lower the jack stand and then engage the upper pin by pushing the handle down to lock the jack stand in place. (See Figure 1-18).

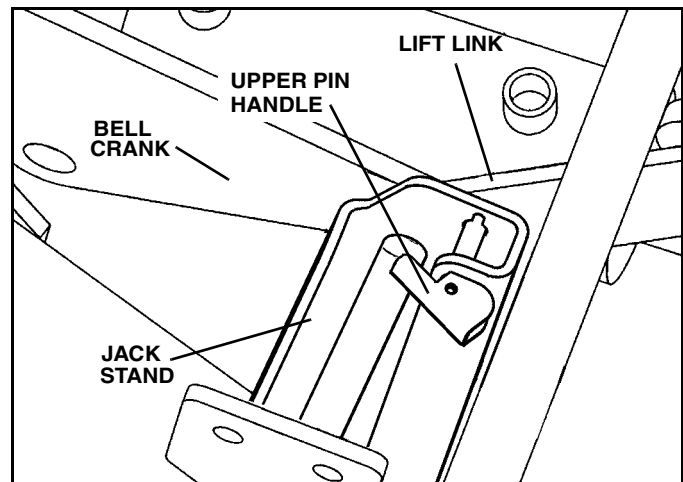


Figure 1-18

33. Install side marker into pre-drilled holes on blade frame using hardware included in package.

34. Install deflector if equipped.

35. Fill reservoir with oil.

36. Hook snowplow to truck as described on page 10.

37. Cycle all plow functions and refill reservoir. Repeat until all air is removed from hydraulic system.

38. Replace and tighten pump cover.

39. Remove left and right light support from light bar package. Secure each light bar support to lift/light bar with (3) 3/8" x 1" screws, washers and lock nuts from the light bar parts bag part number 96106089. Do not tighten at this time. (See Figure 1-19).

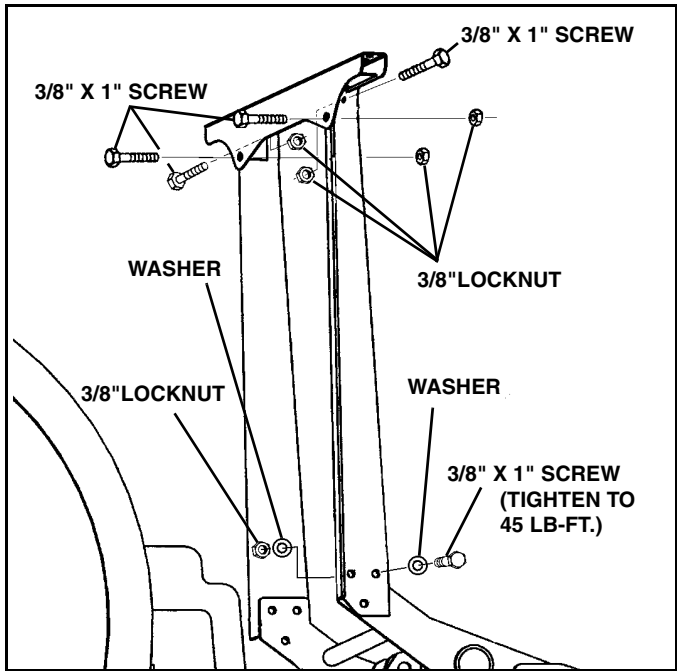


Figure 1-19

40. Secure light bar to supports with (4) 3/8" x 1" screws and lock nuts. Align light bar supports to vertical position and tighten all light bar hardware. Tighten six lower screws to 45 lb-ft. (See Figure 1-19).

Mount lamps on light bar using supplied 1/2" lock washers and nuts. (See Figure 1-20).

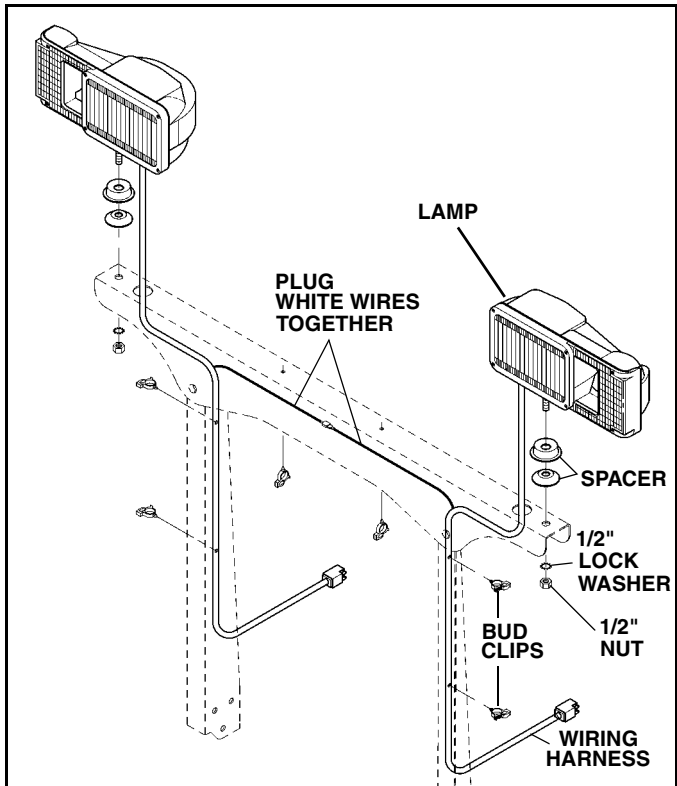


Figure 1-20

41. Route the harnesses through the light bar, through the access hole and down the inside of the light bar supports. Route the white wire from each lamp along the underside of the light bar and connect. (See Figure 1-20).

42. Check for proper light operation and aim plow lights with plow in up position.

43. Apply included dielectric grease to all light harness connections.

NOTE: In order to conform to Federal Motor Vehicle Safety Standards a SAE J602 Approved aiming device must be used to aim plow lights.

Mounting Snow Plow To Vehicle

1. Drive truck into plow. Align light/lift bar frame outside of sub-frame lugs. Pins should fit inside slots cut into sub-frame lugs. (See Figure 1-21).

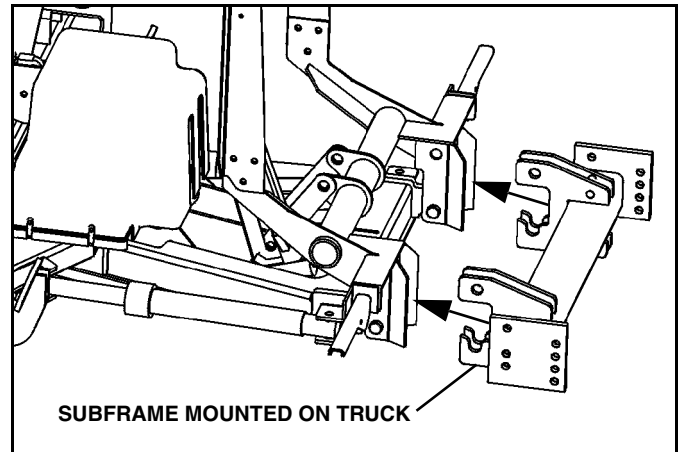


Figure 1-21

*NOTE: If pins are too high or low to fit into slots on sub-frame, adjust the height by plugging in the plow and hand held controller. **For Down Pressure Plows** - To lower the pins, turn on down pressure and press down. To raise the pins, press up. **For Gravity Plows** - To lower the pins, place plow in float and push up on light bar. To raise the pins, press up.*



WARNING

When using the hand held controller to raise or lower the plow A-frame for mounting the plow to the vehicle, be especially careful of the movement of the light bar. This movement will occur when raising or lowering the A-frame or jack stand.

FAILURE TO FOLLOW CAN RESULT IN INJURY OR DEATH



WARNING

Pressing the blade angle functions will result in the A-frame swinging if it is not secured to the truck. Do not press the angle function during plow installation.

FAILURE TO FOLLOW CAN RESULT IN INJURY OR DEATH

2. Plug in power harness and remove controller from truck cab. Plug controller into plow.



WARNING

The power cable in front of the truck is wired directly to the battery. The power cable is always energized, even if the truck is turned off. Always replace the protective cap after disconnecting the plow power cable. Allowing an unprotected plug to contact metal parts of the truck may cause electrical component damage. Never use a metal object to clean the plug contacts.

FAILURE TO FOLLOW CAN RESULT IN INJURY OR DEATH

3. Rotate light/lift bar into position by turning on down pressure and pressing the lower button. (See Figure 1-22).

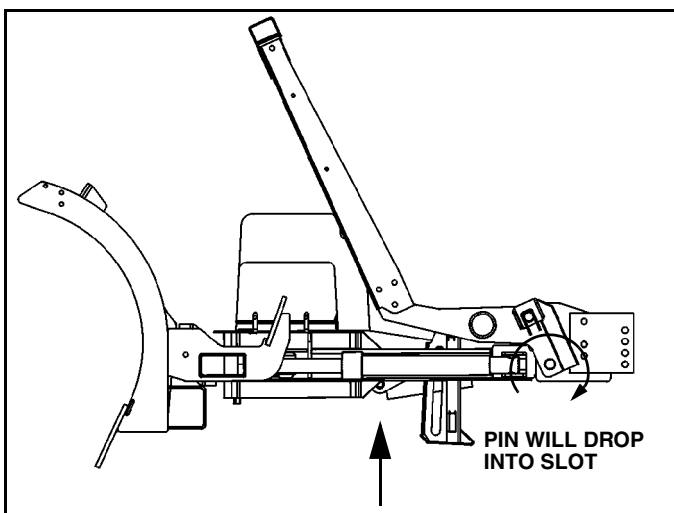


Figure 1-22

NOTE: If your plow is not equipped with down pressure hydraulics you will have to manually rotate the light lift bar into position by placing plow in float mode and pushing on the light bar.

4. Put plow into float position by turning down pressure off. Rotate pin handles down to lock upper hitch pins in place. (See Figure 1-23).



WARNING

Make sure that upper hitch pins are engaged before moving truck. Hitch pins not fully engaged could result in the plow separating from the truck.

FAILURE TO FOLLOW CAN RESULT IN INJURY OR DEATH

NOTE: Upper hitch pins are fully engaged when pin handle is tight against pin bracket and you cannot see the upper hitch pin between the pin bracket and pin handle. If upper hitch pins are not fully engaged:
A. Raise plow an inch off the ground, then lower. Or,
B. Turn Down Pressure ON and then OFF.
Upper hitch pins will snap into place.

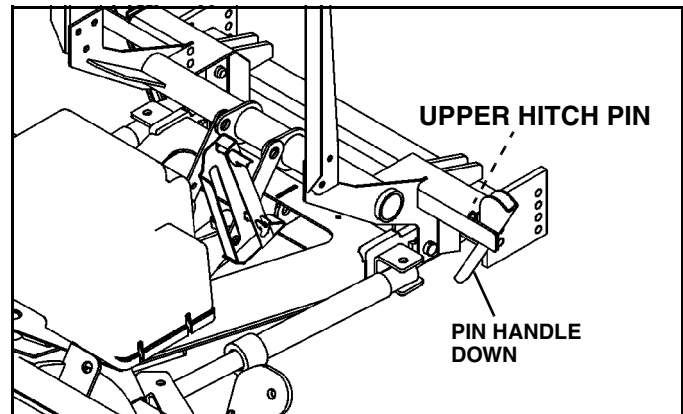


Figure 1-23

5. Unplug plow from control.

6. Disengage both jack stand pins by pulling on handles. Raise the jack stand and engage the bottom pin by pushing on the handle. Make sure pin is engaged in hole by rotating jack stand back and forth. (See Figure 1-24).

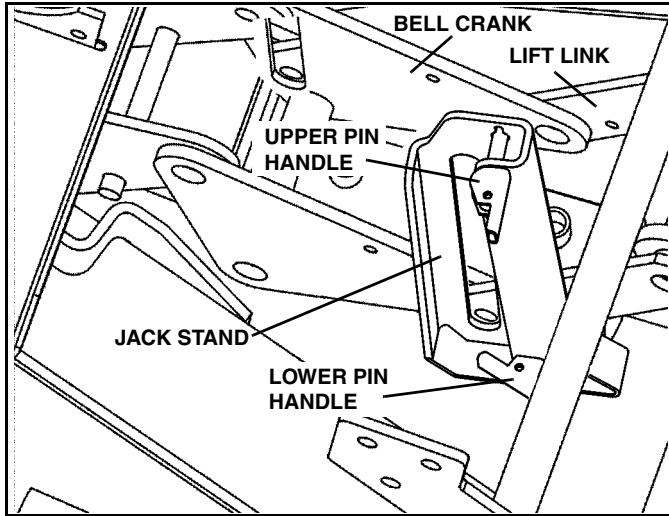



Figure 1-24

7. Plug light and control harnesses on plow into truck.
8. Plug in plow control inside truck cab.
9. Raise, Lower and angle plow to make sure no hoses or wires pinch in the plow mechanism.

Installing The Cylinder Lock Clamp


WARNING

Always install the cylinder lock clamp when the plow blade is raised and the operator is not engaged in plowing operations. Equipment failure or inadvertent operation of the plow control while driving could allow the plow blade to fall, resulting in injury.

FAILURE TO FOLLOW CAN RESULT IN INJURY OR DEATH

1. Raise the plow to the full UP position.
2. Turn the ignition OFF and apply the parking brake.
3. Turn OFF the hand-held controller.
4. Remove the pin from the cylinder lock clamp.
5. Position the cylinder lock clamp around the exposed (chrome) portion of the lift cylinder with the open side of the cylinder lock up. Install the pin. (See Figure 1-25).

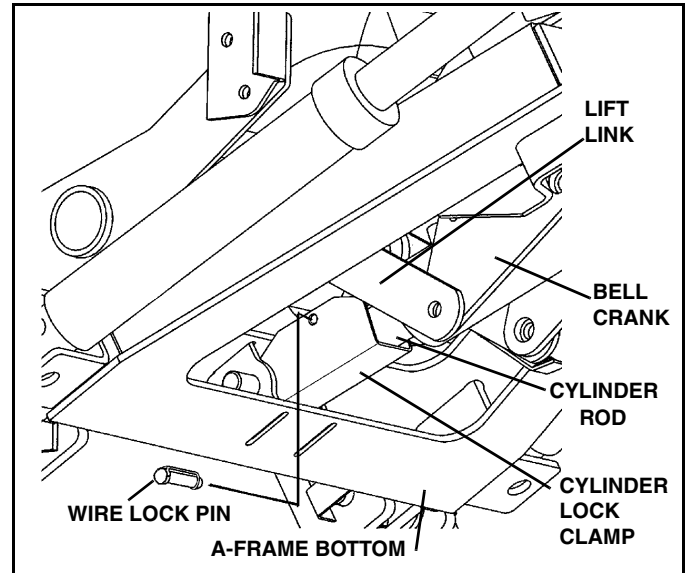


Figure 1-25

6. Lower the plow so that cylinder lock clamp is tight against cylinder.


WARNING

Failure to lower plow onto clamp could block headlights resulting in an accident.

FAILURE TO FOLLOW CAN RESULT IN INJURY OR DEATH

Removing Snow Plow From Vehicle

Choose a location for the plow storage, which will allow the plow to be removed from the vehicle and not be moved after removal. Also, choose a location that will not allow the plow stand to sink into the ground. A dry, protected area is recommended.

1. Lower plow to the ground, put vehicle in park, turn off the engine and set the parking brake.
2. Disconnect the control and light harnesses and replace protective caps on truck connectors.

IMPORTANT: Disconnect the light wiring harness at this time, install the protective caps over the ends of the harness on the truck, and plug harnesses together on plow.



CAUTION

When disconnecting the plow control harness, turn only the locking nut at the end of the connector. Do not turn the threaded boot. Turning the threaded boot will break the wires in the harness and cause the controller to stop functioning. (See Figure 1-26).

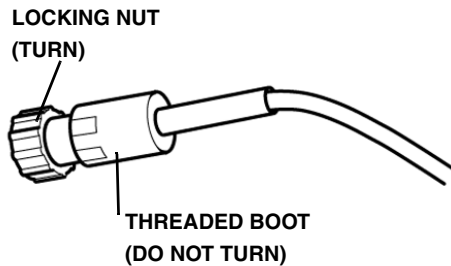


Figure 1-26

3. Remove controller from truck cab and plug into plow control harness.

4. Turn Down Pressure ON and then OFF.

5. Rotate pin handles up (straight out) to unlock main pins. (See Figure 1-27).

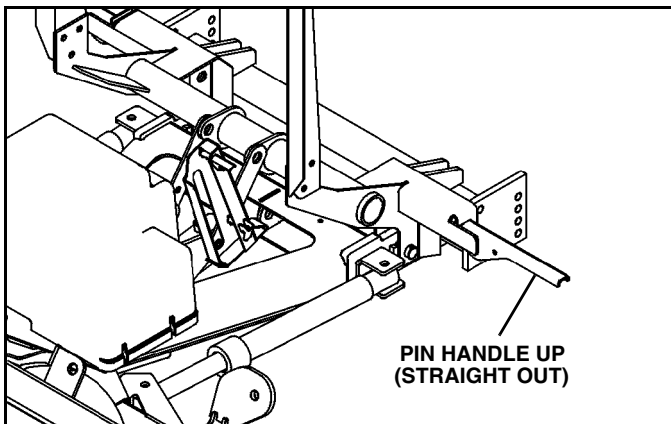


Figure 1-27

6. Disengage lower jack stand pin by pulling on handle. Lower the jack stand and engage the top pin by pushing on the handle. Make sure pin is engaged in hole by rotating jack stand back and forth.

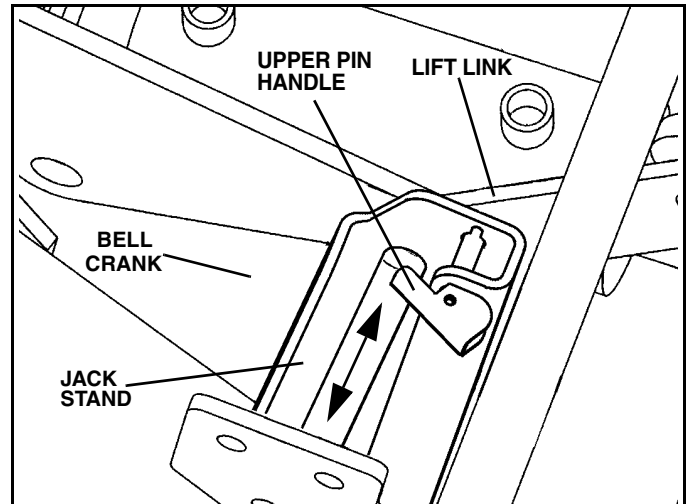


Figure 1-28

7. Rotate jack stand down and raise A-frame by pressing the up button. (See Figure 1-29).

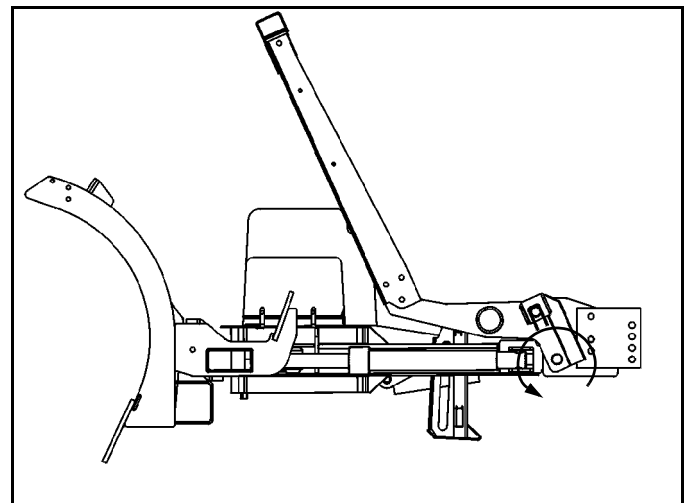


Figure 1-29

8. Disconnect power harness, replace protective caps and back truck away from plow.

MAINTENANCE

General

- Before operating, perform a through visual inspection of the equipment. Look for fluid leaks, cracked, bent or broken components, loose nuts, bolts or attachments and proper fluid levels.

- A clean system is essential to long pump life and proper performance.

IMPORTANT: Hydraulic fluid packaged with power unit is Type 5606. If additional oil is added it must be compatible with Type 5606. If another type of oil has been used in the system the same type of oil must be used for topping off the system

- Do **NOT** use synthetic oil.
- Oil must contain an anti-foam additive.
- Ensure all electrical connections are clean and tight.
- To prevent rust from forming, clean and repaint exposed metal surfaces
- NEVER operate the equipment with the protective covers or guards removed.

Break In Period

The plow will go through a break in period during which the A-frame and swing frame will settle in. After 15-20 hours of operation check for free play of the A-frame and swing frame pivot.

1. Raise the plow and install the transport lock. (See "Installing The Cylinder Lock Clamp" on page 11).
2. Push down on end of blade as far as it will go on the right or left side. Measure and record the distance from the ground to the bottom edge of the wear strip
3. Pull upwards on the same end of the plow as far as it will go. Measure and record the distance from the ground to the bottom edge of the wear strip.
4. Subtract the two measurements. If the number is greater than 1-1/2" then the free play needs to be adjusted.

To Remove Excessive Free Play

1. Tighten the pivot bolt nut (typically 1/6 to 1/3 turn, one or two flats).

Periodic Inspection

After every 20 hours of operation perform the following inspections:

1. Inspect plow assembly including sub frame for any damage or excessive wear. Replace parts as necessary
2. Inspect all fasteners to insure they are properly tightened. Re-tighten loose fasteners to the proper torque (Refer to torque specification chart in this manual).
3. Apply a small amount of light oil to: Quick-tatch pin and handle assemblies, pivot pins between the blade and swing frame, and pivot pins at lift and swing cylinders. Also lubricate jackstand pins. (See Figure 2-1).

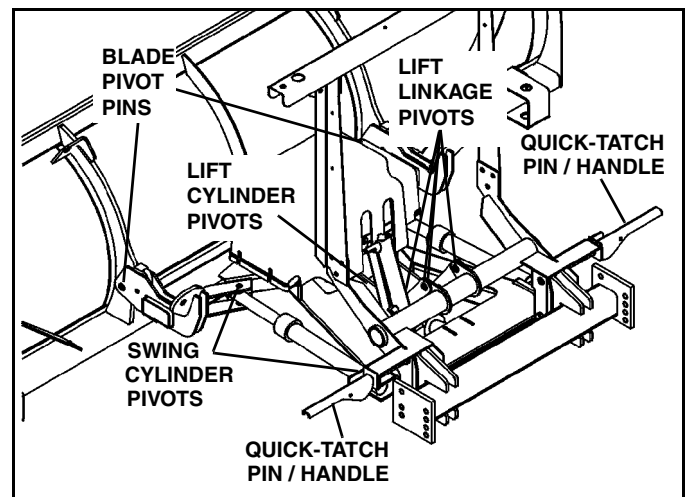


Figure 2-1

4. If wear is noticed between the A-frame and the swing frame apply a good quality anti-seize lubricant to this area.

Plow Storage

When storing the plow for long periods of time use the following guidelines.

1. If the plow will not be stored on pavement, place a board under the jack stand to prevent it from sinking into the ground
2. To prevent corrosion, coat the exposed portion of the cylinders with light grease.
3. Grease all pivot points.
4. Fill hydraulic reservoir to the fill line to minimize trapped air.
5. Place dielectric grease on the terminals of all electrical plugs. Make sure protective caps are in place.

6. Check and replace any worn or damaged component, such as cutting edges, deflectors, and bushings.

Polycarbonate Blade Care

- **DO NOT** use abrasive or highly alkaline cleaners on polycarbonate blade.
- Never scrape polycarbonate blade with squeegees, razor blades or other sharp instruments.
- Benzene, gasoline, acetone or carbon tetrachloride should never be used on polycarbonate blade.
- **DO NOT** clean polycarbonate blade in hot sun or at elevated temperatures.

Polycarbonate Blade Cleaning Instructions

Wash with a mild soap or detergent and luke-warm water using a clean cloth or soft sponge. Dry thoroughly with a chamois or moist cellulose sponge to prevent water spots.

Fluid Requirements

IMPORTANT: Hydraulic unit comes from factory charged with type 5606. If additional oil is added it must be compatible with Type 5606.

It is recommended that the fluid in the hydraulic system be changed once a season.

NOTE: Type 5606 oil is rated to -60 deg. F, when Type 5606 is not available Exxon UNIVIS J13 or equivalent may be used.

- Do NOT use synthetic oil.
- Oil must contain an anti-foam additive.



CAUTION

- Using the proper oil increases the life expectancy of the most critical part of your plow; the hydraulic power unit.
- Failure to use the proper oil can cause extensive damage to the power unit, seals and hydraulic cylinders.

Changing Oil and Cleaning Filter Screen

NOTE: We recommend cleaning the filter screen at every oil change; this will help ensure maximum life and maximum performance from the pump assembly.



WARNING

- Allow the system to cool down before draining oil or handling system components. Burns can result from contact with hot oil.
- Never disconnect any hydraulic line or fitting with the plow in the raised position. Always lower the plow and relieve pressure before removing any lines or caps.

FAILURE TO FOLLOW CAN RESULT IN INJURY OR DEATH

1. Move plow to a clean, dry area with a solid surface. Lower the plow to the ground, put vehicle in park, turn off the engine and vehicle ignition, set the park brake, and turn off the plow controller.
2. To prevent inadvertent short circuit or electrical shock, disconnect the power harness and control harness at the vehicle bumper.
3. Loosen the four screws holding on the pump cover and remove the pump cover.
4. Remove the red power lead from the motor power stud. Remove the black wire of the power harness and the black ground wire to the control receiver from the 3/8" screw in the center section of the power unit. Disconnect the 12-pin connector of the power unit valve wire harness. Remove the red/black wire and the red wire of the power harness from the 5/16" terminal of the start solenoid. Remove the red/white wire and the brown wire from the #10 terminals of the start solenoid. Mark wires and terminal locations to aid in re-connecting the wires after the oil change. (See Figure 2-2).

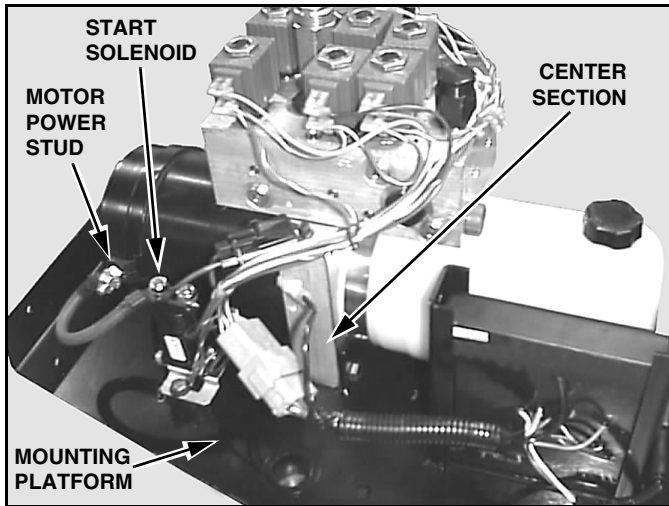


Figure 2-2

5. Using a suction gun, drain the oil (most of it) from the power unit reservoir.

6. Remove the two 5/16" cap screws that fasten the center section of the power unit to the pump platform. (See Figure 2-2).

7. Lift the power unit and rotate it toward the rear of the pump platform. (See Figure 2-3).

NOTE: If the oil has not been previously removed from the reservoir, the power unit can be rotated and tipped to allow most of the oil to be drained out of the reservoir filler hole, once the filler cap is removed.

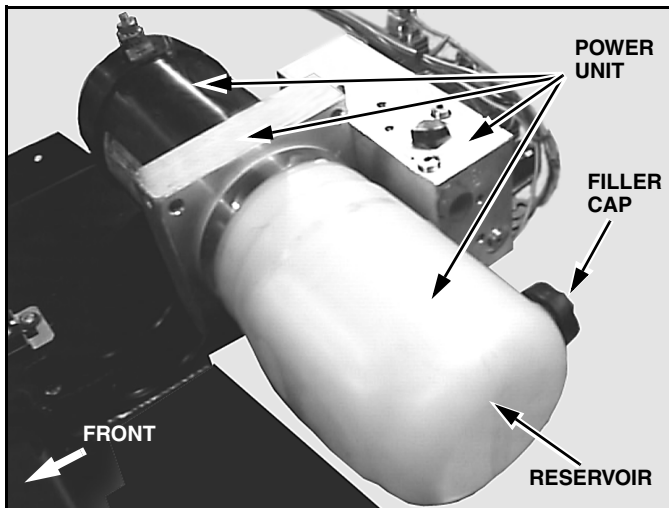


Figure 2-3

8. Loosen the band clamp, which holds the reservoir on the center section. Pull and twist the reservoir until it separates from the center section. Place a container under the power unit to catch spilled oil. Note the position

of the reservoir oil pick-up tube and be sure the tube is in the same position when the filter is removed and installed. (See Figure 2-3)(See Figure 2-4).

9. Clean the inside and outside of the reservoir with a suitable solvent.

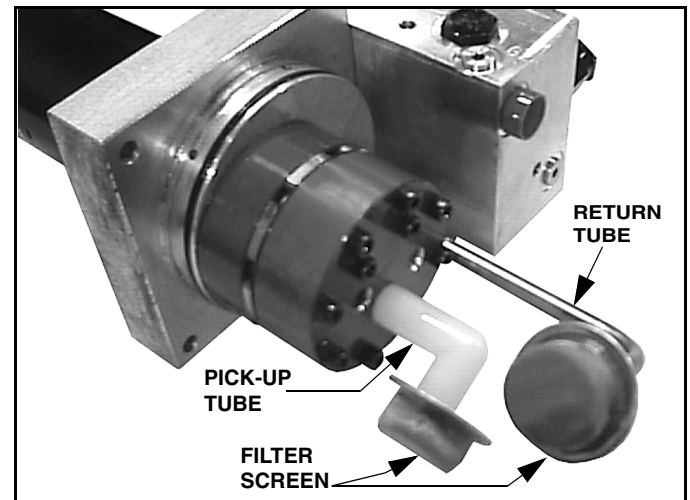


Figure 2-4

10. Pull the filter screens from the oil pick up tube and return tube and clean them with a suitable solvent. Blow-dry the filter from the inside with low-pressure air. (See Figure 2-4).

11. Carefully re-install the filter screens. Use care when handling the screens to avoid damage.

12. Inspect the O-ring between the reservoir and the power unit center section and replace it if damaged. Wipe the surface of the O-ring with fresh oil and then push the reservoir onto the center section of the power unit. Be sure to reposition the reservoir so that the oil filler cap is in the same location as before removal.

13. Tighten the band holding the reservoir to 80-120 in-lbs torque.

14. Rotate the power unit back into position. Insert the two 5/16" cap screws. Use new lock nuts and torque to 22-25 lb-ft.

15. Reinstall the electrical wires removed in step 4.

16. Remove the lift cylinder hose(s) from the valve block. Remove the swing cylinder hoses from the fitting in the valve block. Mark hoses before removal to be certain they are reinstalled in the correct location.

17. Place the hoses in a container to catch oil expelled from cylinders. Cycle the lift cylinder by disconnecting hitch pins and pushing and pulling on light bar. Cycle swing cylinders by disconnecting from swing frame and pushing and pulling on cylinder rod.

18. Reconnect swing cylinders and install hitch pins.

19. Reconnect hoses. Lift cylinder hoses are torqued to 20-25 lb-ft and swing cylinder hoses are torqued to 12-15 lb-ft.



CAUTION

Do Not use Teflon tape or pipe dope on hydraulic fittings. These can dislodge and jam valves in the hydraulic system.

20. Fill the hydraulic reservoir with type 5606 hydraulic fluid until the fluid registers full on the sight line.

NOTE: Vehicle must be parked on level ground and plow must be in lowered position in order to properly check the reservoir level.

21. Refer to controls manual and cycle plow to remove air from hydraulic system. Refill reservoir as needed.

22. Operate system and check for leaks. Repair and replace components as necessary.

Cutting Edge

NOTE: Note: Cutting edge must be replaced when it is worn to the bottom edge of the frame.

1. Raise the plow to full up position.
2. Install cylinder lock clamp.
3. Lower plow onto cylinder lock clamp
4. The blade skin must be retained prior to removing cutting edge. This can be done using a pair of 6" C-clamps located at the center of the curved portion of the blade.
5. Remove mounting bolts holding old cutting edge to blade. Discard old cutting edge and hardware.
6. Consult parts manual for proper replacement cutting edge.
7. Install new cutting edge using new hardware.

Disk Shoe Adjustment

1. Raise plow to full up position.
2. Install cylinder lock clamp.
3. Lower plow onto cylinder lock clamp.
4. Turn vehicle ignition switch and plow control OFF and apply emergency brake.
5. Adjust shoe assemblies by removing shoe mounting lynch pin and adding or subtracting washers on the top or bottom of the shoe-mounting bracket. (See Figure 2-5).

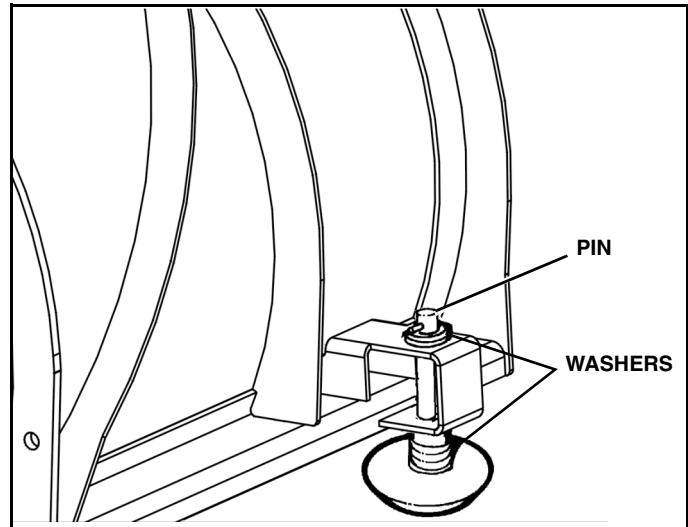


Figure 2-5

6. After the disk shoe position is properly adjusted place washer on the shoe stem - above the disk shoe mounting bracket and below the retaining lynch pin - to remove all up and down movement of the disk shoe in the bracket. Failure to do so will result in excessive wear of the holes in mounting bracket or bending of the disk shoe stem.

IMPORTANT: Snap lynch pin ring over so that it contacts the pin. If ring does not contact lynch pin, rotate the pin and reverse the direction of the ring. If the ring does not contact the pin it is not locked and could fall out.

Trip Spring Adjustment

See "Mechanical Installation" on page 5.

PLOWING OPERATION

Operating Class

The 26 series Sno-Way plow is specifically designed for commercial applications on 1/2-ton trucks and SUVs.

Before the Season Begins

1. Inspect plow vehicles brakes, headlights, plowing lights, windshield wipers, flashers, electrical system, and cooling system for proper operation.
2. Inspect plow assembly including sub frame for any damage or excessive wear. Replace parts as necessary
3. Inspect all fasteners to insure they are properly tightened. Re-tighten loose fasteners to the proper torque (Refer to torque specification chart in this manual).
4. Apply a small amount of light oil to: Quick-tatch pin and handle assemblies, pivot pins between the blade and swing frame, and pivot pins at lift and swing cylinders. Also lubricate jackstand pins. (See Figure 2-1).
5. If wear is noticed between the A-frame and the swing frame apply a good quality anti-seize lubricant to this area.
6. Clean and repaint any exposed metal parts with corrosion resistant enamel.
7. Check free play between the a-frame and swing frame pivot. Adjust if necessary. (See "Break In Period on page 13).
8. Check the oil level and repair any oil leaks. (See "MAINTENANCE on page 13).
9. Inspect electrical connectors. Make sure the contacts are clean, and apply a small amount of dielectric grease.
10. Install auxiliary and flashing lights (if not equipped). Ensure auxiliary lights are aimed properly (with the plow raised).
11. If ballast is required, position and secure ballast behind rear wheels, for optimum performance.

Transporting Vehicle With Plow Attached

1. Always install the cylinder lock clamp when the plow is raised and the operator is not engaged in plowing operations.

NOTE: If cylinder lock clamp is not installed during transport equipment failure or inadvertent operation of the controls could allow the plow to fall.



CAUTION

Remove the plow when driving extended distances at temperatures above 40 deg. F, the plow blocks enough airflow to cause it to overheat at temperatures above 40 deg. F.

2. Position the blade out of the beam path of the headlights before driving.
3. Do not exceed 45 M.P.H. when driving with the snowplow attached. Braking distance is increased and handling impaired at speeds above 45 M.P.H.
4. Reduce speed when crossing railroad tracks or when road conditions deteriorate.
5. Never change blade angle or height while driving.
6. Inspect plow and attaching hardware for damage before transporting or plowing.

Plowing Like A Pro



WARNING

Wear your seat belt! Contact with a hidden obstruction can cause serious personal injury from bodily contact within the vehicle cab or whiplash from sudden stops.

FAILURE TO FOLLOW CAN RESULT IN INJURY OR DEATH

NOTE: The air bag is factory set to deploy at a certain acceleration level. The air bag will deploy with the plow attached if an obstruction is hit with enough force to reach this level. Always plow within the recommended plowing speeds and know the area you are plowing to avoid any obstructions.

NOTE: For better clean up of hard packed snow; raise the disc shoes so that the cutting edge of the blade comes into direct contact with pavement. Use the lowest possible gear to place maximum power behind the cutting edge.

For instructions on using the plow controller to manipulate the plow see the manual included with your plow control package.

1. Become familiar with the area to be plowed and mark potential hazards before the snow falls. Many immovable objects cannot be seen when covered with snow. Developing a plan early can save valuable time and equipment damage. Allow sufficient room to pile snow, out of the traffic area, with enough space for when the next storm comes.

2. Plow with the storm. The "Pros" are out early removing only several inches at a time. Allowing snow to accumulate to unmanageable levels can cause removal problems and wear and tear on equipment. The plow is not a "Ram" or a "Bulldozer". If used properly, it will give many years of safe and reliable service.

3. Research municipal ordinances for restrictions on the disposal of snow. Many municipalities do not allow snow to be placed in or moved across roads or highways.

4. Research state department of transportation rules on maximum width restrictions for snow plows. Certain blades may require permits.

Using The Down Pressure (DP) Hydraulic Systems

The DP system was designed for removing hard packed snow from hard surfaces that has been driven on prior to plowing.

The system should be turned OFF when plowing surfaces such as gravel, dirt, sand, etc., to prevent cutting into the surface.

Activating the system applies down pressure to the down pressure side of the lift cylinder. This down pressure will force the cutting edge through hard packed snow. If down pressure decreases as a result of a low spot, more down pressure will be applied to the lift cylinder. When a high spot is encountered the down pressure will be relieved to allow the plow to follow the contour without lifting the front of the truck.

Clearing Driveways

1. Head into driveway with the blade angled to move snow away from buildings. Continue to widen the drive path by rolling snow away from buildings on successive passes.

2. If there is a garage at the end of the driveway, plow to within several vehicle lengths of the garage and push the snow off the driveway.

3. Raise the blade and drive through the snow up to the garage. Drop the blade and "Back Drag" the snow 1-1/2 vehicle lengths back. Repeat as necessary.

4. Back the vehicle to garage door and plow forward toward street, removing the remaining snow.

Clearing Parking Lots



CAUTION

Excessive stacking of snow causes undue stress to the snowplow and vehicle. Repeated loading of this nature may result in the failure of plow components designed to protect the snowplow and vehicle from major damage.

1. "Back Drag" areas in front of buildings and near walls then work away from buildings towards the outer edges of the lot.

2. Plow a single path down the center in the longest direction.

3. Angle plow toward the outside and make successive passes until the area is cleared and the snow is "Stacked" around the outer edges. If snow is too deep to clear in the above manner, clear main traffic lanes and stack snow at intermediate positions.

TROUBLESHOOTING

Introduction

Whenever service is necessary, your local dealer knows your plow best and is interested in your complete satisfaction. Return your snowplow to your local dealer for maintenance service or any other assistance you may require. If you are unable to do so, this trouble-shooting guide should help you determine the problem. However, before attempting the servicing of your plow, you should possess good mechanical abilities and a total understanding of the mechanism.

PLEASE: Before calling parts and service personnel be certain that:

1. You have read this guide carefully and are certain that all of the suggestions pertaining to your problem have been attempted.

2. You have the following available:

- A. Date snowplow was originally installed
- B. Power Pack Serial Number
- C. Controller Serial Number
- D. Blade Serial Number

E. Pump Serial Number

This information should be recorded on page 2 of this Owners Manual.

Troubleshooting Quick Reference

- General

1. Check vehicle electrical system for proper operation.
2. Check all wiring to be sure that battery terminals are clean and connections to battery, circuit breaker, solenoid, and all connectors on plow harness are clean and tight.
3. Check for external leakage at cylinders, hoses, and power unit.
4. Check the voltage at the coils which operate solenoid valves to be sure that the voltage at the coils is a minimum of 9½ volts DC.
5. Check oil level in hydraulic system reservoir

TROUBLESHOOTING CHART

PROBLEM	PROBABLE CAUSE	CORRECTIVE ACTION
Motor will not run	Circuit breaker failed	Refer to dealer
	Motor solenoid failed	Refer to dealer
	Motor seized	Refer to dealer
	Motor brushes worn/commutator worn or dirty	Refer to dealer
	Seal between motor and pump damaged allowing oil to enter motor housing	Refer to dealer
Motor continues to run and will not shut-off	Wires shorted out at solenoid or damaged receiver or transmitter	Refer to dealer
Blade will not lift (motor runs)	Hydraulic fluid level low	See Maintenance section
	Improper main pressure relief valve pressure setting or debris causing valve to stick	Refer to dealer
	Breather cap plugged	See Maintenance section
	Lower valve (B) stuck in "Lower" position	Refer to dealer
	Raise cylinder binding	Refer to dealer
	Pick-up tube filter plugged	See Maintenance section
	Worn/failed pump	Refer to dealer
	Pick-up tube is not submerged in fluid	See Maintenance section
	Down pressure valve (E) stuck open	Refer to dealer
	Raise valve (C) not functioning	Refer to dealer

TROUBLESHOOTING CHART

PROBLEM	PROBABLE CAUSE	CORRECTIVE ACTION
Blade lifts slowly	Hydraulic fluid level low	See Maintenance section
	Breather cap plugged	See Maintenance section
	Improper main relief pressure setting or debris causing valve to stick	Refer to dealer
	Pick-up tube filter plugged	See Maintenance section
	Improper oil viscosity for outside air temperature, unit not at normal operating temperature	See Maintenance section
	Weak system pump	Refer to dealer
	Low battery voltage	Refer to dealer
Unit lifts but does not hold - first action.	Dirt in check valve	Cycle raise and lower system to flush debris
	Dirt in lower valve (B)	Cycle raise and lower system to un-stick valve
Unit lifts but does not hold- Second action.	Dirt or debris in check valve	Refer to dealer
	Lower valve (B) sticking or dirt in valve	Refer to dealer
	Seals, O-ring(s) on lower valve (B) damaged	Refer to dealer
	Current available at lower coil (B) without activating function	Refer to dealer
	Piston seals leaking on raise cylinder	Refer to dealer
Unit will not lower (Down pressure switch OFF)	Plugged breather cap	See Maintenance section
	Low or no current available at lower coil (B)	Refer to dealer
	Lower valve (B) sticking or stuck	Refer to dealer
	Lower coil (B) inoperative	Refer to dealer
	Raise cylinder damaged allowing movement in one direction only	Refer to dealer
Unit will not apply Down pressure (Down pressure switch ON)	Lower valve (B) sticking or stuck	Refer to dealer
	Inoperative down pressure, pressure switch	Refer to dealer
	Down pressure relief valve setting to low	Refer to dealer
	Broken wire/ open circuit in down pressure electrical circuit	Refer to dealer
Blade will not angle (motor runs)	Hydraulic fluid level low	See Maintenance section
	Crossover pressure relief valve setting too low	Refer to dealer
	Low or no current available at angle coil (A or D)	Refer to dealer
	Angle coil (A or D) inoperative	Refer to dealer
	Angle cylinder binding or bent	Refer to dealer
	Pick-up tube not submerged in fluid	See Maintenance section
	Angle valve (A or D) not operating	Refer to dealer

TROUBLESHOOTING CHART

PROBLEM	PROBABLE CAUSE	CORRECTIVE ACTION
Unit angles very slowly	Hydraulic fluid level low	See Maintenance section
	Crossover relief valve pressure setting too low	Refer to dealer
	Improper oil viscosity for outside air temperature, unit not at normal operating temperature	See Maintenance section
	Damaged cylinder	Refer to dealer
	Cylinder packing improperly torqued or dry	Refer to dealer
Unit angles in one direction only	Crossover relief valve sticking or stuck	Refer to dealer
	Angle coil (A or D) inoperative	Refer to dealer
	Low or no current available at angle coil (A or D)	Refer to dealer
	Angle valve (A or D) stuck/sticking	Refer to dealer
	Angle cylinder binding	Refer to dealer
Unit does not hold angle. Note: This problem is usually noted when pushing snow.	Crossover relief valve pressure setting too low	Refer to dealer
	Crossover relief valve sticking or stuck	Refer to dealer
	Pilot check valve has debris or damaged piston	Refer to dealer
Fluid leaking at power unit	Hydraulic fittings not torqued properly (too tight, too loose)	Refer to dealer
	O-rings between valve block and base are worn/missing or not seating properly	Refer to dealer
	O-rings between base and reservoir worn or not seating properly	Refer to dealer
	Reservoir over-full	See Maintenance section
	Pump shaft seal leaking	Refer to dealer
	Valve block Cap Screws loose	Refer to dealer
	Reservoir fasteners loose	Refer to dealer

THEORY OF OPERATION

Hydraulic Power Unit

The hydraulic power unit consists of:

- 12V DC Motor
- Hydraulic pump rated at 1.27 GPM @ 1500 PSI
- 1.35 quart capacity reservoir
- fine mesh intake and return filters
- Filter screens on all outlet ports

The fluid supply line for the pump is submerged in the hydraulic fluid reservoir and is equipped with a fine mesh intake filter screen.

The 12V DC motor is protected electrically by 150 amp circuit breaker located between the battery and the motor solenoid.

The hydraulic pump is protected by a 1750 PSI system relief valve.

If this unit is equipped with a down pressure option, this will allow the operator to selectively switch the system to provide additional hydraulic force to the cutting edge of the plow.

IMPORTANT: The electric coils, which operate the solenoid valves, require a minimum of 9-1/2 volts DC for proper operation. Lower voltage will cause erratic operation, or failure to operate.

Hydraulic Controls

The hydraulic controls consist of:

- System pressure relief valve, set to 1750 PSI
- One crossover relief valve, set to 2000 PSI
- Two three-way two position hydraulic valves for angle left or right functions
- Two single acting hydraulic cylinders for angle left and right functions
- One three-way two position, one two-way two position valve, and one check valve for raise and lower function for gravity plows
- One three-way two position, three two-way two position valves and two check valves for raise, lower and down pressure functions for down pressure plows
- One down pressure relief valve for down pressure plows

Electro-Hydraulic Operation

All hydraulic functions are controlled by the 12V DC electrical system which actuates coils on the hydraulic valves and the solenoid for the electric motor of the power unit.

12V DC power is fed from the battery post of the motor start solenoid to a control circuit board on the plow and from the circuit board to each coil.

Each coil is actuated by completing a circuit to ground through the coil and the circuit board by means of a signal to the circuit board from the hand-held controller in the vehicle, either by a wire transmitted signal or a radio signal.

Raise Mode Of Operation

Actuating the 'Raise' switch on the hand-held controller sends a signal to the control circuit board on the plow, which then actuates the motor start solenoid and the coil for the 'C' valve.

Actuating the start solenoid sends current to the power unit motor to cause the power unit to pump hydraulic fluid. Hydraulic fluid under pressure is directed through the 'C' valve to the lift cylinder causing it to extend and raise the plow. On down pressure plows, the 'F' valve is also actuated to allow fluid in the rod end of the double acting raise cylinder to return to the reservoir.

When the 'Raise' switch on the hand-held controller is released, the start solenoid circuit is broken, the motor stops, the circuit to the coil for the 'C' valve and (if a down pressure plow) the 'F' valve is broken and these valves go to their normally closed positions.

Lower Mode Of Operation - Gravity Down and Float

Actuating the 'Lower' switch on the hand-held controller sends a signal to the control circuit board on the plow. This actuates the coil for the 'B' valve and (if a down pressure plow) the 'F' valve, allowing hydraulic fluid to flow from the lift cylinder to the reservoir.

Once the 'Lower' switch has been actuated, the system will stay in this mode until the 'Raise' function is actuated, allowing hydraulic fluid to flow between the reservoir and the lift cylinder. This allows the lift cylinder to extend and retract as necessary to follow ground contours while plowing.

Down Pressure (DP) System

This system operates only when both the 'DP' switch and the 'Lower' switch on the hand-held controller are actuated.

Actuating the 'DP' switch actuates the pressure switch, the 'B' valve coil, the 'E' valve coil and, through the pressure switch, the start solenoid as required. When the 'E' is actuated and the hydraulic pump operates, hydraulic fluid is directed to the rod end of the lift cylinder, retracting the cylinder and forcing the plow down.

The pressure switch in this system senses the pressure of the fluid in the lift cylinder and closes when the pressure becomes low, allowing the motor and the pump to pump fluid into the rod end of the cylinder. When the pressure reaches the proper level the switch opens, shutting off the motor and the pump.

The system is protected by a relief valve, which relieves excess pressure if the plow is forced up, such as by a bump or obstacle in the roadway. Once any obstacle is cleared, the plow can return to a lower position, which will also lower the pressure. If the pressure becomes too low, the pressure switch will activate the motor and pump as mentioned above to return pressure to normal levels.

The down pressure system is overridden any time the plow control is placed in the 'Raise' mode, but will resume when placed back in the 'Lower' position.

Also, note that the 'E' valve is deactivated anytime an angle function is activated, but returns to its previous condition as soon as the angle function is completed.

Angle Left or Right Mode of Operation

Actuating the 'Angle Right' switch on the hand-held controller sends a signal to the control circuit board on the plow. This actuates the start solenoid and the coil for the 'A' valve, allowing hydraulic fluid under pressure to flow through the 'A' valve to the swing cylinder. At the same time, the hydraulic fluid passing through the 'A' valve unseats a check valve in the circuit for the 'D' valve, allowing hydraulic fluid to flow from the opposite swing cylinder through the 'D' valve and back to the reservoir.

Actuating the 'Angle Left' switch on the hand-held controller sends a signal to the control circuit board on the plow. This actuates the start solenoid and the coil for the 'D' valve, allowing hydraulic fluid under pressure to flow to the swing cylinder. This fluid also unseats a check valve in the circuit for the 'A' valve, allowing fluid to flow from the opposite swing cylinder through the 'A' valve and back to the reservoir.

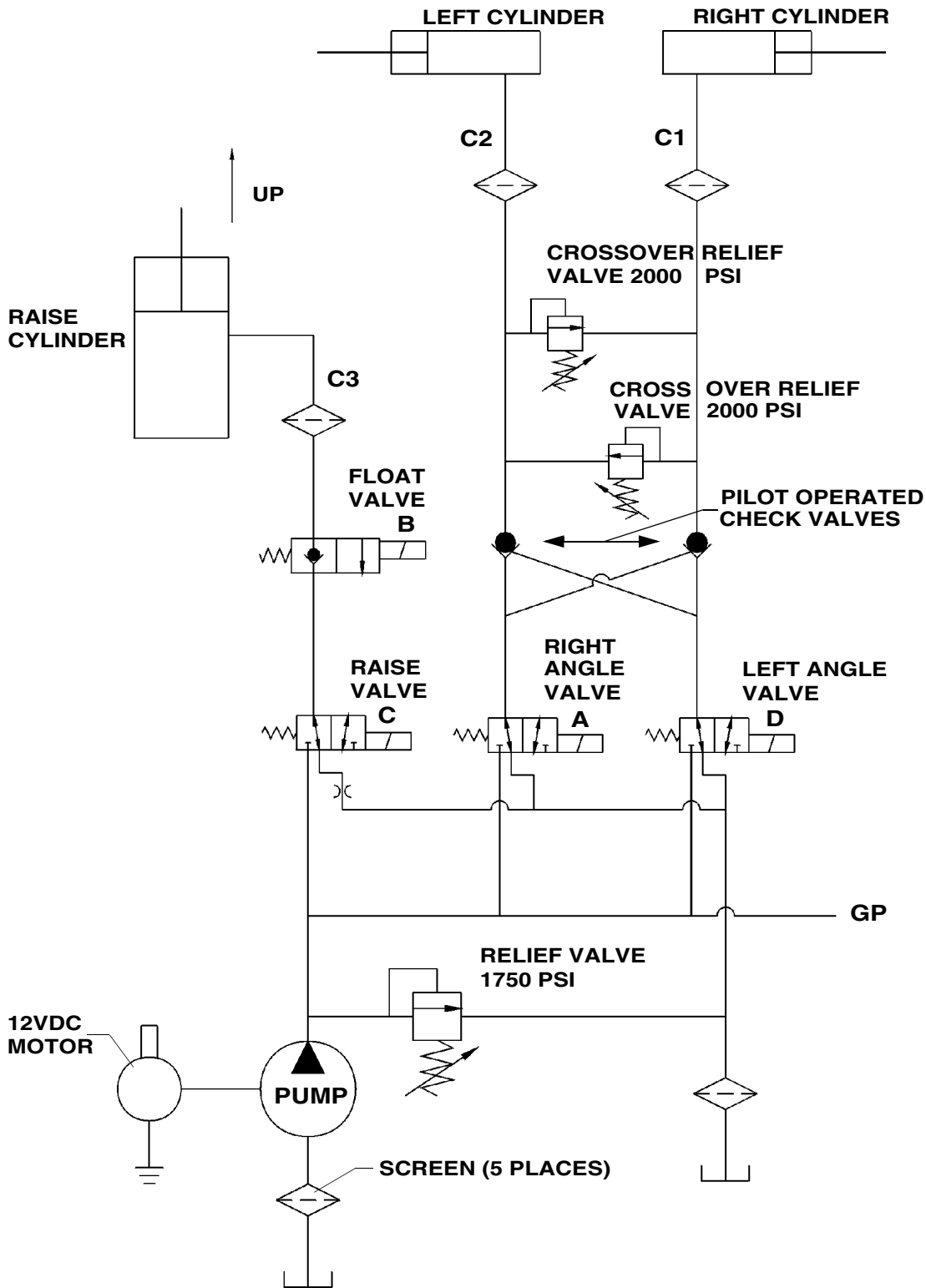
The angle circuits are protected by a crossover relief valve set to relieve pressure on the circuit a 2000 PSI. If the blade of the plow contacts an obstacle during plowing operations, the crossover relief valves will allow fluid to flow out of the swing cylinder on the side encountering the

obstacle, allowing the cylinder to retract and allowing the blade to adjust its angle to relieve the force from the outside.

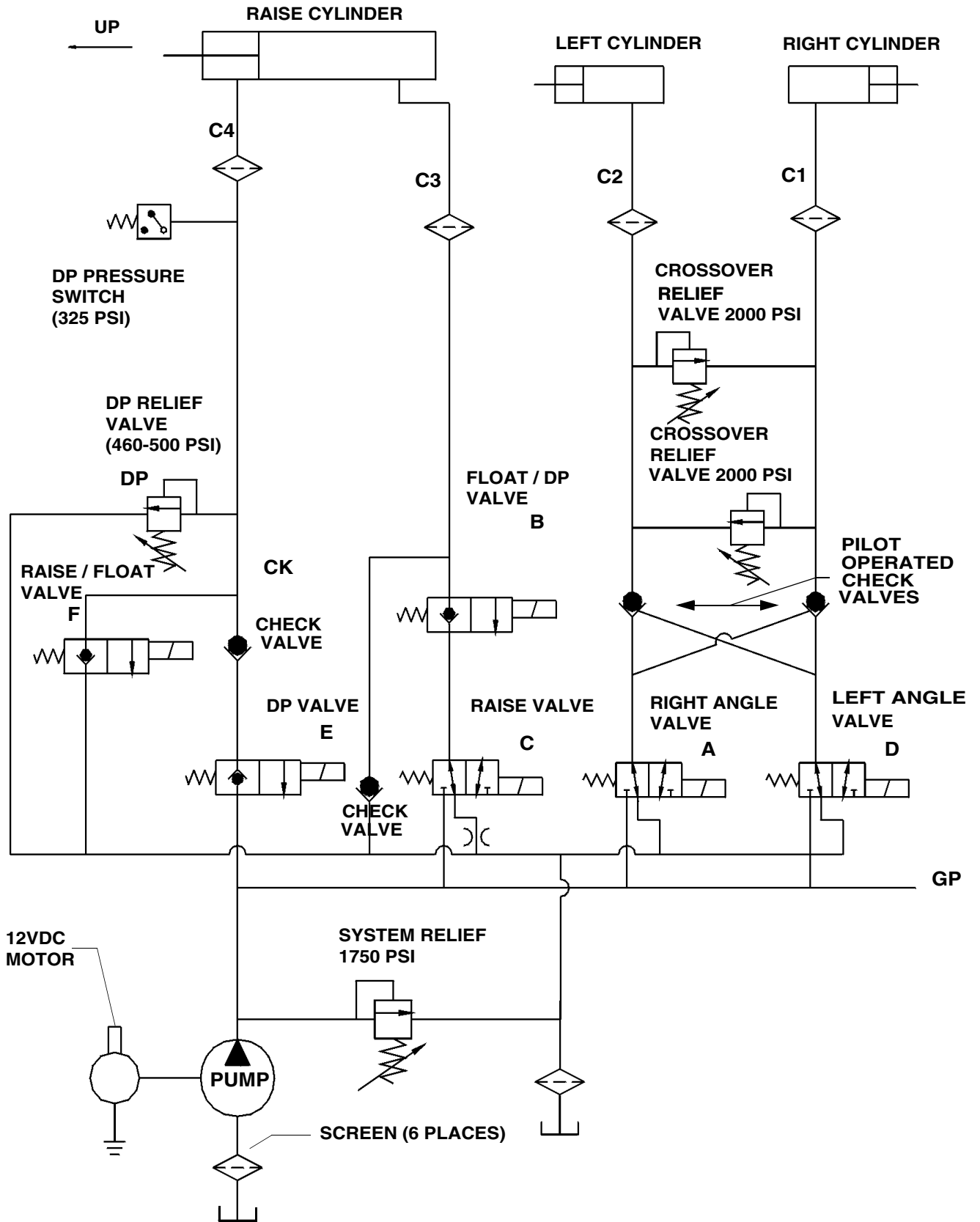
Circuit Breaker

A 150 amp circuit breaker is located near the battery in the primary 12V DC positive power circuit and is in place to protect the electrical system. A high amp draw condition will cause the breaker element in the circuit breaker to interrupt current flow to the plow. The circuit breaker will automatically reset after it cools down.

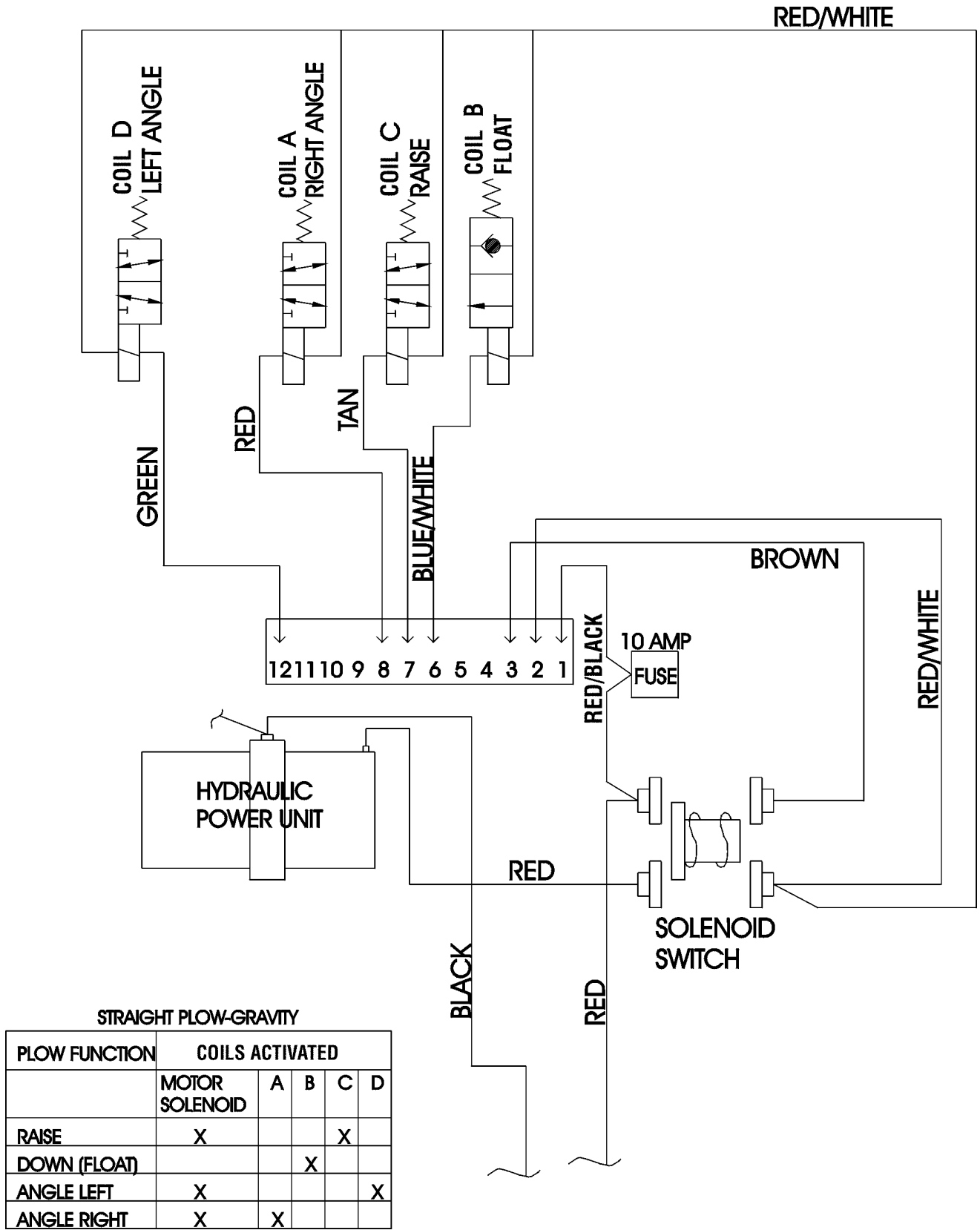
HYDRAULIC SCHEMATIC (Gravity Down System)



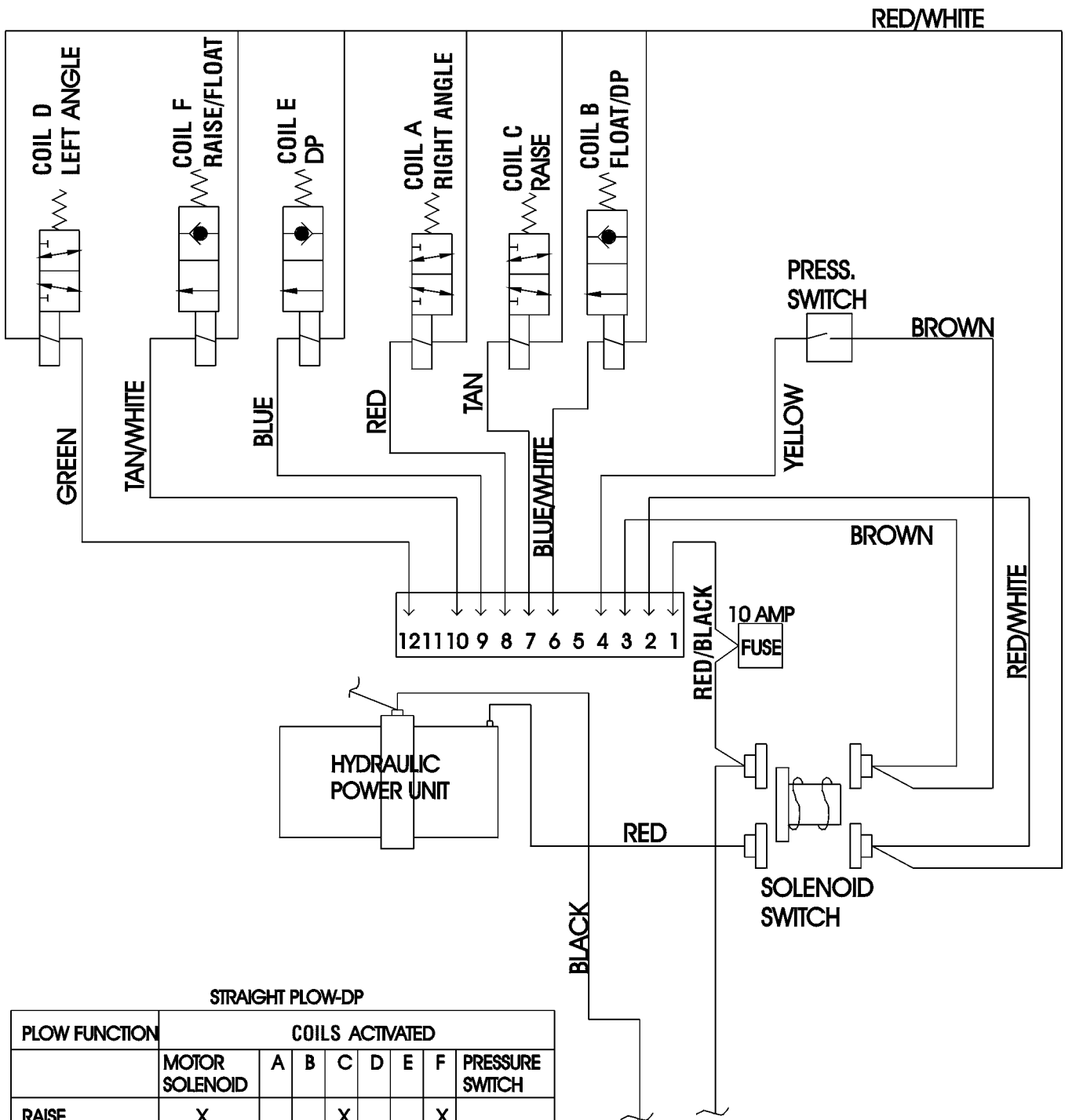
HYDRAULIC SCHEMATIC (Down Pressure System)



WIRING SCHEMATIC (Gravity Down System)



WIRING SCHEMATIC (Down Pressure System)











STRAIGHT PLOW-DP

PLOW FUNCTION	COILS ACTIVATED						PRESSURE SWITCH
	MOTOR SOLENOID	A	B	C	D	F	
RAISE	X			X		X	
DOWN (FLOAT)			X			X	
DOWN PRESSURE	X		X		X		X
ANGLE LEFT	X			X			
ANGLE RIGHT	X	X					

NOTE: COIL E MUST BE DEACTIVATED FOR ANGLE FUNCTIONS

TORQUE SPECIFICATIONS

SAE Grade and Head Markings	1 or 2 No Marks 	5 5.1 5.2 	8 8.2 
	2 No Marks 	5  	8  

SIZE	Grade 1		Grade 2		Grade 5, 5.1 or 5.2		Grade 8 or 8.2	
	Lubricated ^a lb-ft	Dry ^b lb-ft	Lubricated ^a lb-ft	Dry ^b lb-ft	Lubricated ^a lb-ft	Dry ^b lb-ft	Lubricated ^a lb-ft	Dry ^b lb-ft
8-32			14*	19*	22*	30*	31*	42*
10-24			21*	27*	32*	43*	45*	60*
1/4	2.8	3.5	4.5	5.5	7	9	10	12.5
5/16	5.5	7	9	11	15	18	21	26
3/8	10	13	16	20	26	33	36	46
7/16	16	20	26	32	41	52	58	75
1/2	25	31	39	50	63	80	90	115
9/16	36	45	56	70	90	115	130	160
5/8	50	62	78	100	125	160	160	225
3/4	87	110	140	175	225	280	310	400
7/8	140	175	140	175	360	450	500	650
1	210	270	210	270	540	675	750	975
METRIC COARSE THREAD Grade 8.8			Grade 8.8		Grade 10.9		Grade 12.9	
			Dry	Lubed	Dry	Lubed	Dry	Lubed
M6-1			8	6	11	8	13.5	10
M8-1.25			19	14	27	20	32.5	24
M10-1.5			37.5	28	53	39	64	47
M12-1.75			65	48	91.5	67.5	111.5	82
M14-2			103.5	76.5	145.5	108	176.5	131
M16-2			158.5	117.5	223.5	165.5	271	200

DO NOT use these values if a different torque value or tightening procedure is given for a specific application.

Fasteners should be replaced with the same or higher grade. If higher grade fasteners are used, these should only be tightened to the strength of the original.

^a "Lubricated" means coated with a lubricant such as engine oil, or fasteners with phosphate and oil coatings.

^b "Dry" means plain or zinc plated without any lubrication

* Values with asterisk are in lb-in.

SNO-WAY PLOWS - LIMITED WARRANTY

FIVE YEAR STRUCTURAL LIMITED WARRANTY COVERAGE

The Sno-Way snow plow structural elements are warranted to be free from defects in materials and workmanship for a period of five years from date of delivery from an authorized Sno-Way Dealer. The Sno-Way Warranty Registration card for the product must be properly filled out and mailed to Sno-Way within 30 days of date of purchase to obtain benefits of this section of warranty.

Structural elements are defined for this warranty as: *Blade frames, A-frames, Swing Frames, vehicle sub frames, and structural components (weldments) of Sno-Way snow plows.*

TWO YEAR STANDARD LIMITED WARRANTY COVERAGE

The Sno-Way snow plow non structural components are warranted to be free from defects in workmanship for a period of two years from date of delivery from an authorized Sno-Way Dealer. The Sno-Way Warranty Registration card for the product must be properly filled out and mailed to Sno-Way within 30 days of date of purchase to obtain the benefits of this section of warranty.

Non structural product components are defined for this warranty as: *Blade inserts (polycarbonate or steel) and the SM01 Hydraulic power system and control module.*

ONE YEAR STANDARD LIMITED WARRANTY ACCESORIES / SERVICE PARTS / COMPONENTS.

Sno-Way International, Inc. Warrants accessories, service parts and components purchased separately for a period of one year after original purchase to be free from defects in material and workmanship.

DEFINITION OF PRODUCT:

Product as used throughout this warranty means the Sno-Way line of Predator snow plows, straight blades and "V" blades and components thereof.

EXCLUSIONS UNDER THIS WARRANTY PROGRAM:

1. The installation of product must be an approved installation in accordance with the Sno-Way Vehicle Application Guide, Installation Instructions Manual and the Owner's Manual.
2. The "use" of the Sno-Way product must be in conformity with the operating and maintenance instructions as set forth in the Owner's Manual.
3. Damage as a result of accident, misuse and/or negligence is not covered.
4. The polycarbonate moldboard under the two year warranty does not cover: *Puncture, Hazing, Abrasion, Yellowing, Scratching or Chemical Damage.*
5. Normal wear items are excluded (Without limitation): *Paint finish-corrosion/contamination, Bushings and bearings, Plow shoes, Plow cutting edges, Blade markers/pins/clips, Accessory items and non-standard attachments - or any damage caused by the addition of non-standard attachments not sold by Sno-Way.*
6. Specific exclusions relating to items covered under the Two Year Warranty: *Fasteners and damage caused by failure to retighten fasteners, Electric contact corrosion - damage or abrasion of wiring harness, Control key pads/contacts, Any damage resulting from a failure to properly service and maintain the product as prescribed in the Owner's Manual.*
7. General exclusions:
 - (A) Any and all damage from the improper installation of product, misapplication of product, abusive use of vehicle and/or product, failure to properly maintain and service, improper repair, service or alteration of product, and any damage as a result of accident or misuse.
 - (B) Sno-Way will not be liable for any expense not related to defects in materials and workmanship. The attachment of product to or upon a vehicle, including any necessary modification of product or vehicle, is entirely at the purchasers risk and expense, and compliance with applicable motor vehicle rules and regulations is the responsibility of the installer.
 - (C) This Warranty when applicable applies to the "first" purchaser of product installed in accordance with Sno-Way Application Guides, Installation and Owner's Manuals, and to the transfer of the product by the "first" purchaser to another approved vehicle application by an authorized Sno-Way Dealer.
 - (D) The "repair" and/or replacement of any part or component is at the option of Sno-Way.
 - (E) Indirect costs incurred while "product" is being repaired during the warranty period are excluded such as; lost time, equipment rental, transportation charges, and similar incidental charges incurred.

OBTAINING WARRANTY SERVICE

To obtain warranty service, promptly return the product or any defective part at your expense to any authorized Sno-Way Dealer during the warranty period. Replacement or repair of defective or inadequate parts shall be performed without charge for labor or materials by such Dealer at his regular place of business during regular business hours after inspection and determination that the warranty applies.

Purchaser shall prepay all freight charges for returning Product or component to Dealer, Sno-Way or any other location designated by Sno-Way.

Note: The Sno-Way Technical Services help line is designed to service Sno-Way Dealers. Sno-Way Technical and Customer Service will help you locate your nearest Sno-Way Dealer.

Please also use the Sno-Way web site with the Dealer locator at: www.snoway.com

DISCLAIMERS:

1. Sno-Way warrants its Products only as set forth in this warranty. Sno-Way makes no other warranties, express or implied, and disclaims all other warranties, including any implied warranty of merchantability or fitness for any particular purpose.
2. Sno-Way's obligations under this warranty are limited to those expressed in this warranty, and Sno-Way shall not be liable to the purchaser or any third party for any direct or indirect, incidental or consequential damage or loss.
3. No person is authorized to modify or add to this warranty in any manner.
4. If any Sno-Way product is improperly installed, altered, misused, damaged or otherwise tampered with, this warranty shall lapse and become null and void.

LEGAL RIGHTS:

Some states do not allow limitations on how long an implied warranty lasts or exclusions or limitations of incidental or consequential damages, so the above limitations or exclusions may not apply fully to you. This warranty gives you specific legal rights, and you may also have other rights which vary from state to state. All "other" provisions and "limitations" not altered by local law shall continue to apply.

ENFORCEMENT/CONSTRUCTION

This Warranty shall be enforced and construed under the laws of the State of Wisconsin.

SNO-WAY[®] INTERNATIONAL, INC.

SNO-WAY[®]

Hartford, WI 53027 USA
Website: www.snoway.com
©2005 Sno-Way[®] International

DEALER PRE DELIVERY CHECKLIST

The following inspections **MUST** be accomplished prior to delivering the snowplow to the customer. Place an X in the box after accomplishing each item on the checklist.

CHECK THAT

- Parts have not been damaged in shipment. Repair or replace items that are loose, dented or missing.
- All covers, guards and decals are in place and attached securely.
- All pivot pins and cotters are installed and secure.
- Trip springs are adjusted.
- Shoe assemblies are installed and adjusted.
- Snow plow headlamps are adjusted properly.
- Snow plow headlamps are functional.
 - High Beam Low Beam Park Lamps
 - Left Turn Right Turn Headlamp Beam Aimed Correctly
- Cylinder lock clamp is installed.

Start the vehicle engine and place an X in the box after accomplishing each item on the checklist.

CHECK THAT

- ALL** blade functions work properly.
- Cylinders, hoses and fittings **DO NOT** leak.
- Listen for abnormal noises or vibrations; Repair or replace as necessary.
- The Power Unit is properly filled.

DELIVERY CHECKLIST

The following checklist is to be accomplished with the customer present, Place an X in the box after accomplishing each item on the checklist.

- After giving the Customer his Owner's Manual, instruct him to read it **PRIOR** to operating the Snow Plow. If he has any questions or does not understand part(s) of the Manual, ask him to contact the Dealer for answers or explanations **BEFORE** operating the unit.
- Record the Serial Numbers, Date of Purchase, Purchaser's Name and Address, and the Dealers Name, Address and Phone Number in the space provided on Page 1 of the Owner's Manual.
- Explain mounting and removal procedures.
- Demonstrate power plow controller operation.
- Demonstrate cylinder lock clamp installation.
- Demonstrate Down Pressure hydraulic system function and operation. (If unit is so equipped)
- Fill out Warranty Registration Card and mail COPY 1 to the factory to validate Warranty. NO Warranty claims can be honored if the Warranty Card is not on file at the factory.**

SNO-WAY® INTERNATIONAL, INC.

The logo for SNO-WAY International, Inc. features the brand name in a bold, stylized, italicized font. The letters are thick and black, with a registered trademark symbol (®) at the end of the word.

Hartford, WI 53027 USA
Website: www.snoway.com
©2005 Sno-Way® International