

# **SNO-WAY**®

***SNOW & ICE CONTROL EQUIPMENT***

## **WIRING DIAGRAM AND INSTALLATION INSTRUCTIONS**

**FOR 99100859  
ADAPTER KIT**

Sno-Way®, Down Pressure® and EIS® are registered trademarks of Sno-Way International, Inc.  
ProControl™, MegaBlade™, V-Wing™, E-Z Switch™, Revolution™, MaxAdjust™, SpeedLock™, and QuickJack™  
are trademarks of Sno-Way International, Inc.

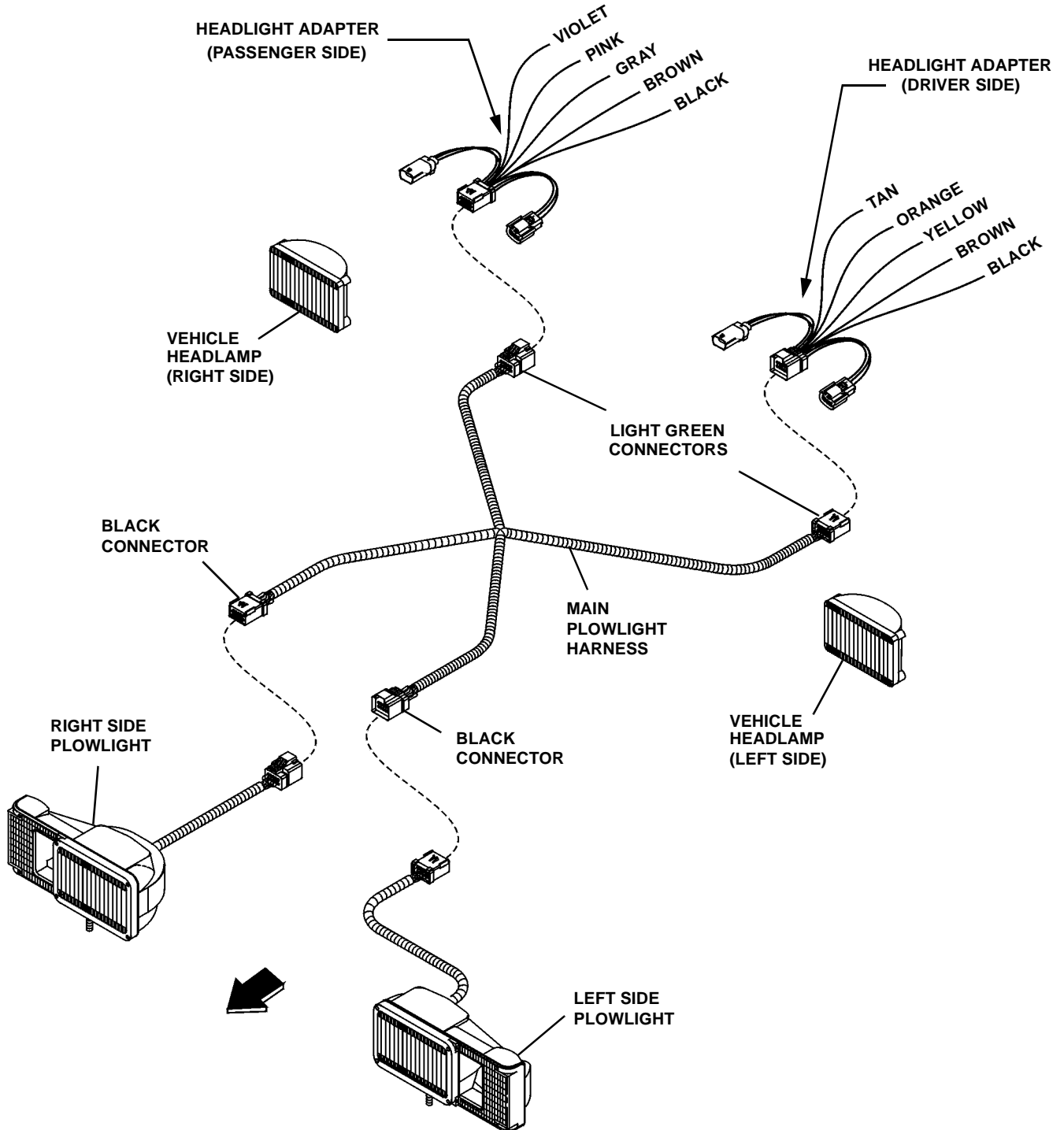
©2014 Sno-Way® International

97101200D

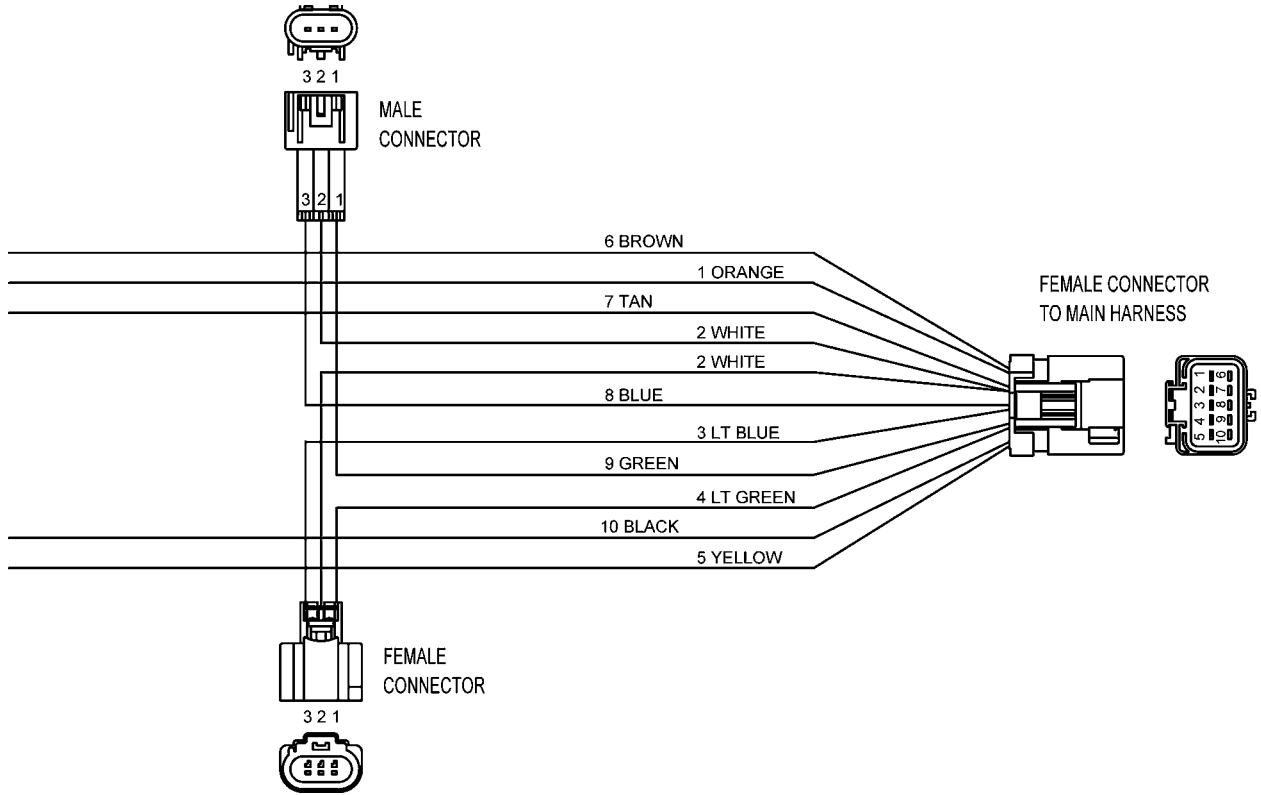
# WIRING DIAGRAM



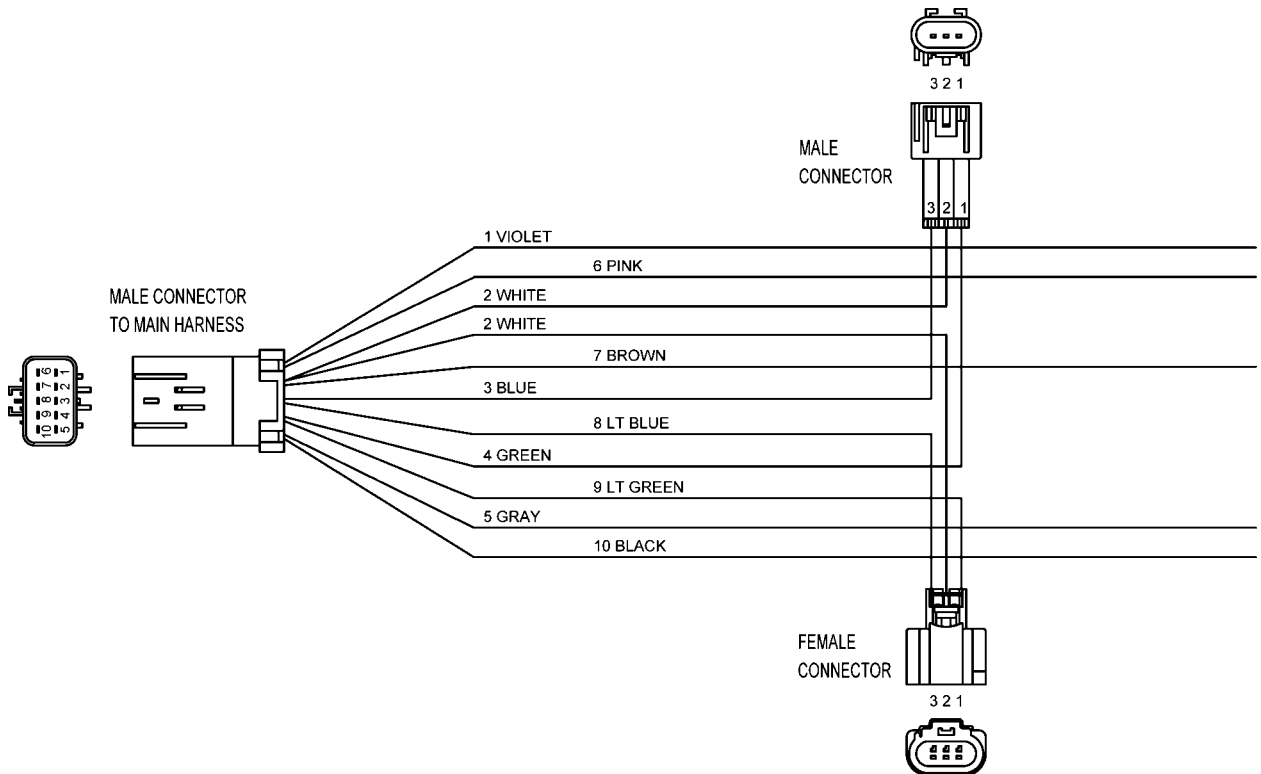
1. THINK SAFETY, ALWAYS WEAR SAFETY GLASSES WHEN PERFORMING THE OPERATIONS PRESCRIBED IN THESE INSTRUCTIONS
2. READ ALL INSTRUCTIONS CAREFULLY BEFORE ATTEMPTING INSTALLATION



## Headlight Adapter Schematic - Female (96108643) Driver Side



## Headlight Adapter Schematic - Male (96108644) Passenger Side



## ADAPTER KIT INSTALLATION (Refer to Diagram)



### CAUTION

- **THINK SAFETY, ALWAYS WEAR SAFETY GLASSES WHEN PERFORMING THE OPERATIONS PRESCRIBED IN THESE INSTRUCTIONS**
- **READ ALL INSTRUCTIONS CAREFULLY BEFORE ATTEMPTING INSTALLATION**

**IMPORTANT:** Use a dielectric compound on all connections, including Scotch-Lock® connectors, to prevent corrosion.

1. Disconnect the vehicle headlight electrical connectors from the back of the vehicle headlamps.

**NOTE:** In order to disconnect some vehicle headlight connectors, it may be necessary to remove the headlamp assembly from the front of the vehicle, if the connector is not easily accessible.

2. Plug together the light green connectors on the main harness with the corresponding adapters needed for the vehicle. The driver's side connection has a yellow wire and the passenger side has a gray wire.

**IMPORTANT:** The correct adapters must be connected to each side for proper function.

3. Plug the headlight adapters into the vehicle on both sides. Plug the corresponding connectors into the back of the vehicle headlights, then the connectors from the vehicle headlights into the corresponding connectors on the headlight adapter.
4. On the driver's side (Left Turn):
  - A. Locate the common wire to the left turn/park bulb on the vehicle harness. Using a Scotch-Lock® connector with dielectric compound, splice black headlight adapter wire to the vehicle's common wire.
  - B. Locate the left turn signal wire on the vehicle harness. At a suitable distance away from the turn signal connector, cut this wire. Using butt connectors, splice orange headlight adapter wire to this vehicle turn signal wire going to the turn signal lamp, and splice the yellow headlight adapter wire to this vehicle turn signal wire coming from the vehicle harness.
  - C. Locate the left park wire on the vehicle harness. At a suitable distance away from the turn signal connector, cut this wire. Using butt connectors, splice

tan headlight adapter wire to this vehicle park wire going to the park lamp, and splice the brown headlight adapter wire to this vehicle park wire coming from the vehicle harness.

5. On the passenger side (Right Turn):
  - A. Locate the common wire to the right turn/park bulb on the vehicle harness. Using a Scotch-Lock® connector with dielectric compound, splice black headlight adapter wire to the vehicle's common wire.
  - B. Locate the right turn signal wire on the vehicle harness. At a suitable distance away from the turn signal connector, cut this wire. Using butt connectors, splice violet headlight adapter wire to this vehicle turn signal wire going to the turn signal lamp, and splice the gray headlight adapter wire to this vehicle turn signal wire coming from the vehicle harness.
  - C. Locate the right park wire on the vehicle harness. At a suitable distance away from the turn signal connector, cut this wire. Using butt connectors, splice pink headlight adapter wire to this vehicle park wire going to the park lamp, and splice the brown headlight adapter wire to this vehicle park wire coming from the vehicle harness.
6. Place the other end of the main harness on the outside of the grille.
7. Attach the main harness connectors to the right and left plow light headlamps. Turn on the vehicle lights and check operation. Check to make sure the vehicle headlights go out and plow headlights come on. Check park and turn signals.
8. If disassembled, reassemble vehicle components.
9. Secure the main harness to a safe location with electricians tape or plastic wire ties. Excess harness length should be neatly coiled and taped, or tied up out of the way.



### CAUTION

**Make sure that wire harness is routed away from all moving engine components. Example; fan, belts etc. DO NOT attach wire harness to hoses, radiator AC coils, exhaust manifolds, or control cables.**

SNO-WAY® INTERNATIONAL, INC.

**SNO-WAY**  
SNOW & ICE CONTROL EQUIPMENT

Hartford, WI 53027 USA  
Website: [www.snoway.com](http://www.snoway.com)  
©2014 Sno-Way® International