

# **SNO-WAY**®

**SNOW & ICE CONTROL EQUIPMENT**

## **ASSEMBLY & INSTALLATION INSTRUCTIONS**

**FOR  
VEHICLE MOUNT KIT 99100883  
USING  
VEHICLE CENTER MEMBER 99100890**

**TO FIT  
2004 - 2015 NISSAN TITAN 4X4  
2005 - 2015 NISSAN ARMADA 4X4**

Sno-Way®, Down Pressure® and EIS® are registered trademarks of Sno-Way International, Inc.  
ProControl™, MegaBlade™, V-Wing™, E-Z Switch™, Revolution™, MaxAdjust™, SpeedLock™, and QuickJack™  
are trademarks of Sno-Way International, Inc.

©2019 Sno-Way® International

97101225D



1. **THINK SAFETY, ALWAYS WEAR SAFETY GLASSES WHEN PERFORMING THE OPERATIONS PRESCRIBED IN THESE INSTRUCTIONS**
2. **READ ALL INSTRUCTIONS CAREFULLY BEFORE ATTEMPTING INSTALLATION**
3. **BEFORE BEGINNING WORK MAKE SURE TO SET PARKING BRAKE AND CHOCK WHEELS**



## MINIMUM VEHICLE RECOMMENDATIONS

Heavy Duty Alternator  
 Heavy Duty Battery  
 Manufacturer's Snow Plow Package

*NOTE: On some vehicles it may be necessary to use a form of load booster to decrease the vehicle's front suspension sag with the snow plow in place. This can be accomplished with the use of supplementary air bags, booster springs, or similar load boosting devices. Since there are different load boosting devices available, it will up to the customer/end user to decide and purchase the product to suit the application, and not the responsibility of Sno-Way International, Inc.*

## ASSEMBLY TOOLS NEEDED

Impact Sockets	7/16" – 1-3/8"
Impact Sockets, Metric	10mm – 18mm
Wrenches	7/16" – 1-3/8"
Wrenches, Metric	10mm - 18mm
Torque Wrench	
Rat Tail Pry Bar	
Cutting Wheel	
Touch-up Paint	

## INSTALLATION NOTES

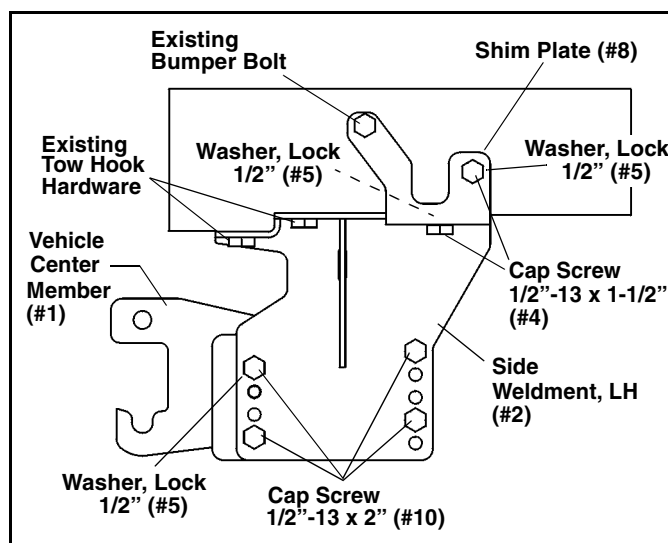
1. **Unless otherwise specified, mount all Vehicle Mount Kit components to vehicle before tightening any hardware.**
2. **It is recommended that LOCTITE®, or similar thread locking product, be used on ALL mounting hardware (i.e. Nuts, Cap Screws, Bolts, etc.).**
3. Vehicle should be parked on a level surface with a normal vehicle load on the FRONT suspension.
4. Items in parentheses ( ) refer to quantity required for this step. Items in parentheses with a pound sign (#) indicate the part number as found in the parts list on the last page of this document.  
 Example: (10) Washer, Lock, 1/2" (#8).
5. It maybe necessary to relocate license plate holder. Check state and local laws for placement, if needed.

## MOUNTING INSTRUCTIONS

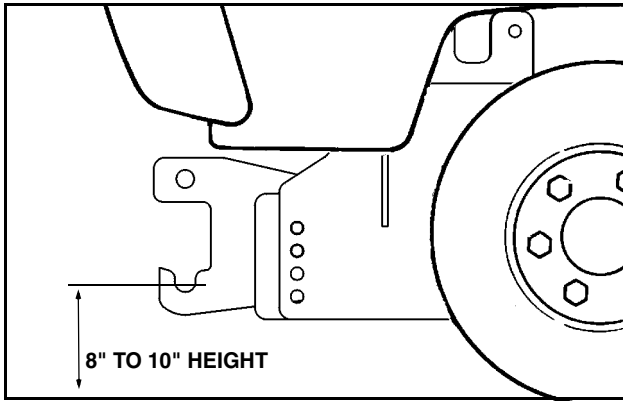
1. Remove splash guard, if equipped. Next, remove tow hooks, retaining tow hook hardware for use in following step. Retain tow hooks for future use if plow Vehicle Mount Kit is removed.  
 Then remove the top rear bolt securing the bumper mounting bracket to each frame rail, for use in the following step.
2. Install Side Weldment, LH (#2) by aligning the two front holes in the horizontal plate of the bracket with the existing tow hook holes in the vehicle frame, securing with existing tow hook bolts. The front side hole should align with the existing bumper mounting bracket hole; secure using existing bolt, removed earlier.  
 The remaining two holes need to be drilled, one on the side of the bracket and one on the horizontal piece that attaches to the bottom for the vehicle frame. Using these holes in the Side Weldment as a template, drill 1/4" pilot holes, then 17/32" holes

through the one wall of the vehicle frame. Insert (2) Shim Plates (#8) between the frame rail and the side hole in the back of the Side Weldment. Secure through drilled holes using (2) 1/2"-13 x 1-1/2" Cap Screws (#4), (2) 1/2" Lock Washers (#5) and (2) Nut Plate Assemblies (#7), inserted through the access hole in the bottom of the vehicle frame.

3. Repeat procedure on other side to install Side Weldment, RH (#3).



4. Attach Vehicle Center Member (#1) to the Bracket Side Weldments, LH (#2) and RH (#3). Secure using (8) 1/2"-13 x 2" Cap Screws (#10), (2) 1/2" Lock Washers (#5) in the threaded holes, and (6) 1/2" Nylock Nuts (#6). Ensuring to insert (4) Spacer 1/2" (#9), 2 per side, as shown on parts list page.
5. Using the torque specification chart provided, torque all bolts.



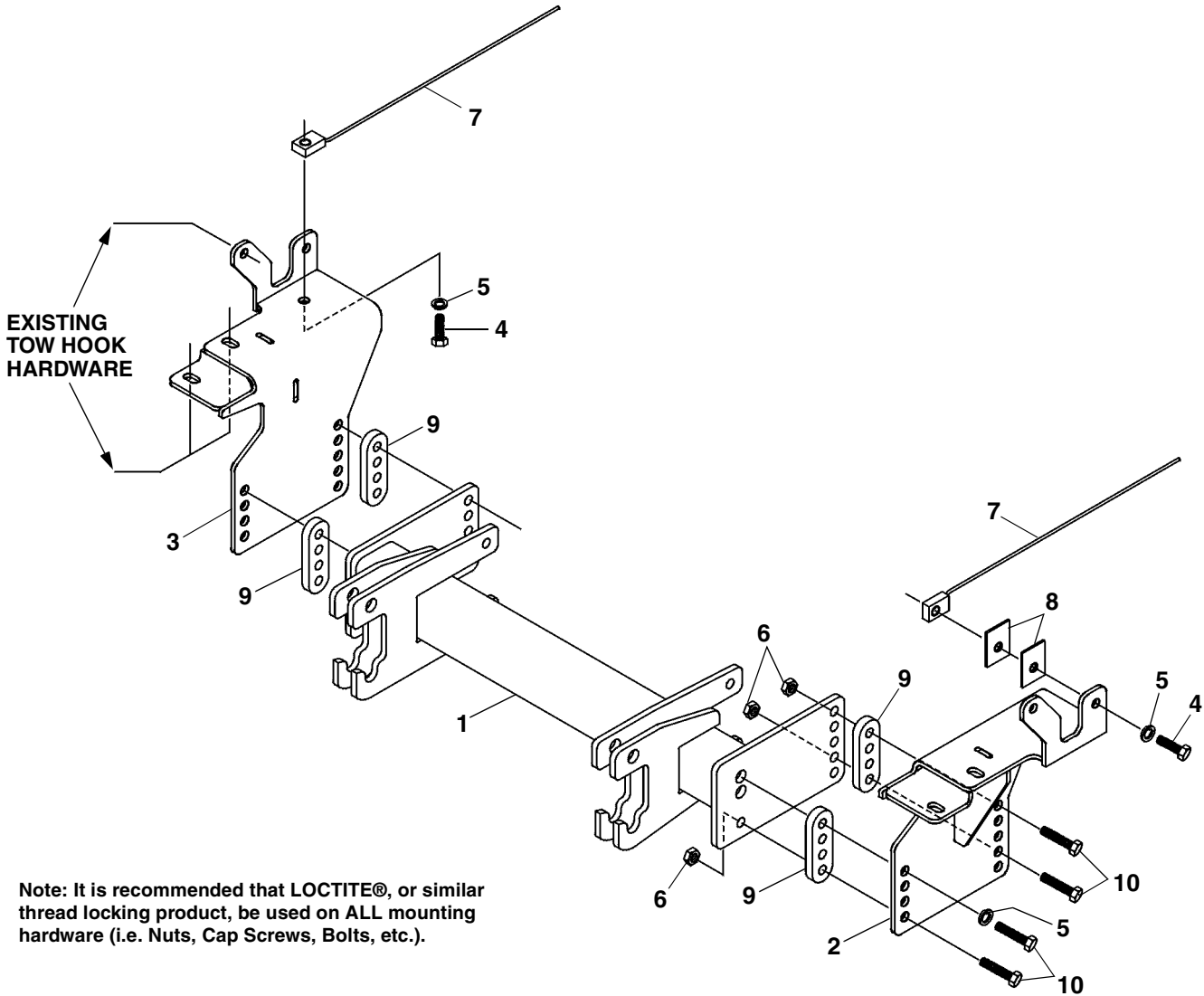
**IMPORTANT:** Height from the center of the lower plow mounting holes on the Vehicle Mount Kit to the ground should be between 8" and 10" to insure proper operation.

TORQUE SPECIFICATIONS FOR STANDARD MACHINE HARDWARE					
Bolt Size	GR.2 Dry	GR.5 Dry	GR.8 Dry	Metric Size	GR.8.8 Dry
1/4"	66*	9	12	M8	17
5/16"	11	17	25	M10	35
3/8"	20	30	45	M12	60
7/16"	32	50	70	M14	95
1/2"	50	75	110	M16	155
9/16"	70	110	150		
5/8"	100	150	220		
3/4"	175	260	380		
7/8"	170	430	600		
1"	250	640	900		

Note: These torque values are to be used for all hardware. Unless otherwise specified, all torque values must meet this specification.  
 Note: All torque values are in Ft.-Lbs unless otherwise stated  
 Note: \*In-Lbs

**REMEMBER** After 5 to 10 hours of snowplow usage, re-torque all Cap Screws!

# PARTS LIST



Note: It is recommended that LOCTITE®, or similar thread locking product, be used on ALL mounting hardware (i.e. Nuts, Cap Screws, Bolts, etc.).

ITEM	PART NO.	DESCRIPTION	QTY.
1	99100890	Vehicle Center Member .....	1
2		Side Weldment, LH .....	1
3		Side Weldment, RH.....	1
4		HHCS, 1/2"-13 x 1-1/2".....	4
5		LW, 1/2" .....	6
6		LN, Nylock, 1/2"-13.....	6
7		Assembly, Nut Plate .....	4
8		Plate, Shim.....	4
9		Spacer, 1/2" .....	4
10		HHCS, 1/2"-13 x 2" .....	8
11	96109037	Kit, HDWE (Not Shown) (Includes Items 4-10) .....	1

SNO-WAY® INTERNATIONAL, INC.



Hartford, WI 53027 USA  
 Website: [www.snoway.com](http://www.snoway.com)  
 ©2019 Sno-Way® International