

SNO-WAY[®]

SNOW & ICE CONTROL EQUIPMENT

Assembly & Installation Instructions

**FOR
VEHICLE MOUNT KIT 99100852
WITH
VEHICLE CENTER MTG 96108521**

**TO FIT
2006 and Later FORD EXPLORER 4X4**



1. **THINK SAFETY, ALWAYS WEAR SAFETY GLASSES WHEN PERFORMING THE OPERATIONS PRESCRIBED IN THESE INSTRUCTIONS**
2. **READ ALL INSTRUCTIONS CAREFULLY BEFORE ATTEMPTING INSTALLATION**
3. **BEFORE BEGINNING WORK MAKE SURE TO SET PARKING BRAKE AND CHOCK WHEELS**



MINIMUM VEHICLE RECOMMENDATIONS

Heavy Duty Alternator
 Heavy Duty Battery
 Manufacturer's Snow Plow Package

NOTE: On some vehicles it may be necessary to use a form of load booster to decrease the vehicle's front suspension sag with the snow plow in place. This can be accomplished with the use of supplementary air bags, booster springs, or similar load boosting devices. Since there are different load boosting devices available, it will up to the customer/end user to decide and purchase the product to suit the application, and not the responsibility of Sno-Way International, Inc.

ASSEMBLY TOOLS NEEDED

Drill Bits 1/4", 17/32"
 Impact Sockets 7/16" – 1-3/8", 10mm - 18mm
 Wrenches 7/16" – 1-3/8", 10mm - 18mm
 Torque Wrench
 Rat Tail Pry Bar
 Center Punch and Hammer

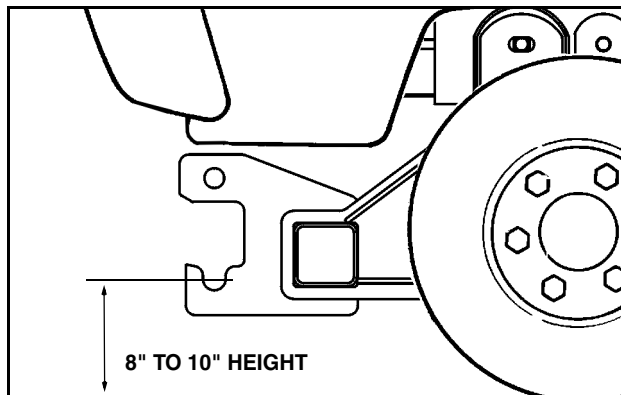
INSTALLATION NOTES

1. **Unless otherwise specified, mount all Vehicle Mount Kit Components to vehicle before tightening any hardware.**
2. **It is recommended that LOCTITE®, or similar thread locking product, be used on ALL mounting hardware (i.e. Nuts, Cap Screws, Bolts, etc.).**
3. Vehicle should be parked on a level surface with a normal vehicle load on the FRONT suspension.
4. Items in parentheses () refer to quantity required for this step. Items in parentheses with a pound sign (#) indicate the part number as found in the parts list on the last page of this document.
 Example: (4) Handle Bolt Weldment (#2).
5. It maybe necessary to relocate license plate holder. Check state and local laws for placement, if needed.

3. Using the rear side holes in the Vehicle Center Mtg. as a template, drill 1/4" pilot holes, then 17/32" holes through the outside of the frame rail (both sides). Secure drilled holes with (2) Handle Bolt Weldments (#2) and (2) 1/2" Flat Washers (#4) inserted through the frame rail (both sides) and (2) 1/2" Nylock Nuts (#3) on the outside of the Vehicle Center Mtg.
4. Next, Install (1) Bracket Rear Support, LH (#9) by aligning the slot in the Bracket Rear Support with the hole in the vertical surface of the vehicle's rear crossmember. Insert (1) Handle Bolt Weldment (#8) with (1) 1/2" Flat Washer (#5) into the square holes on the bottom of the vehicle.s rear crossmember. Secure using (1) 1/2" Flat Washer (#5) and (1) 1/2" Nylock Nut (#7). Using the two holes on the other end of the Bracket Rear Support, LH (#9) as a template, drill two 17/32" holes into the side plate of 96108521 VCM. Secure the Bracket Rear Support LH (#9) to the 96108521 VCM with (2) 1/2"-13 x 1 1/2" Cap Screws (#4) and (2) 1/2"-13 Nylock Nuts (#7). Repeat this step to install the other Bracket Rear Support, RH (#10) on the other side.
5. Using the torque specification chart provided, torque all Cap Screws.
6. Re-install the bumper.

MOUNTING INSTRUCTIONS

1. Remove Splash guard and tow hooks, if equipped. Remove bumper.
2. Install (1) Vehicle Center Mtg (#1) by aligning the bottom and front side slots on the Vehicle Center Mtg. with the holes in the vehicle frame. Insert (2) Handle Bolt Weldments (#2) along with (2) 1/2" Flat Washers (#4), one each per side, into the front side slot in the frame rail and then through the slot in the Vehicle Center Mtg. (#1). Secure loosely with (2) 1/2" Nylock Nuts (#3). Next, insert (2) Nut Plate Assemblies (#7), one per side, into the frame rail and align with the slot in the bottom of the frame rail. Insert (2) 1/2"-13 x 1-1/2" Cap Screws (#5) along with (2) 1/2" Flat Washers (#4) and (2) 1/2" Lock Washers (#6), all one per side, through the Vehicle Center Mtg. and then into the Nut Plate Assemblies (#7). Finger tighten only.



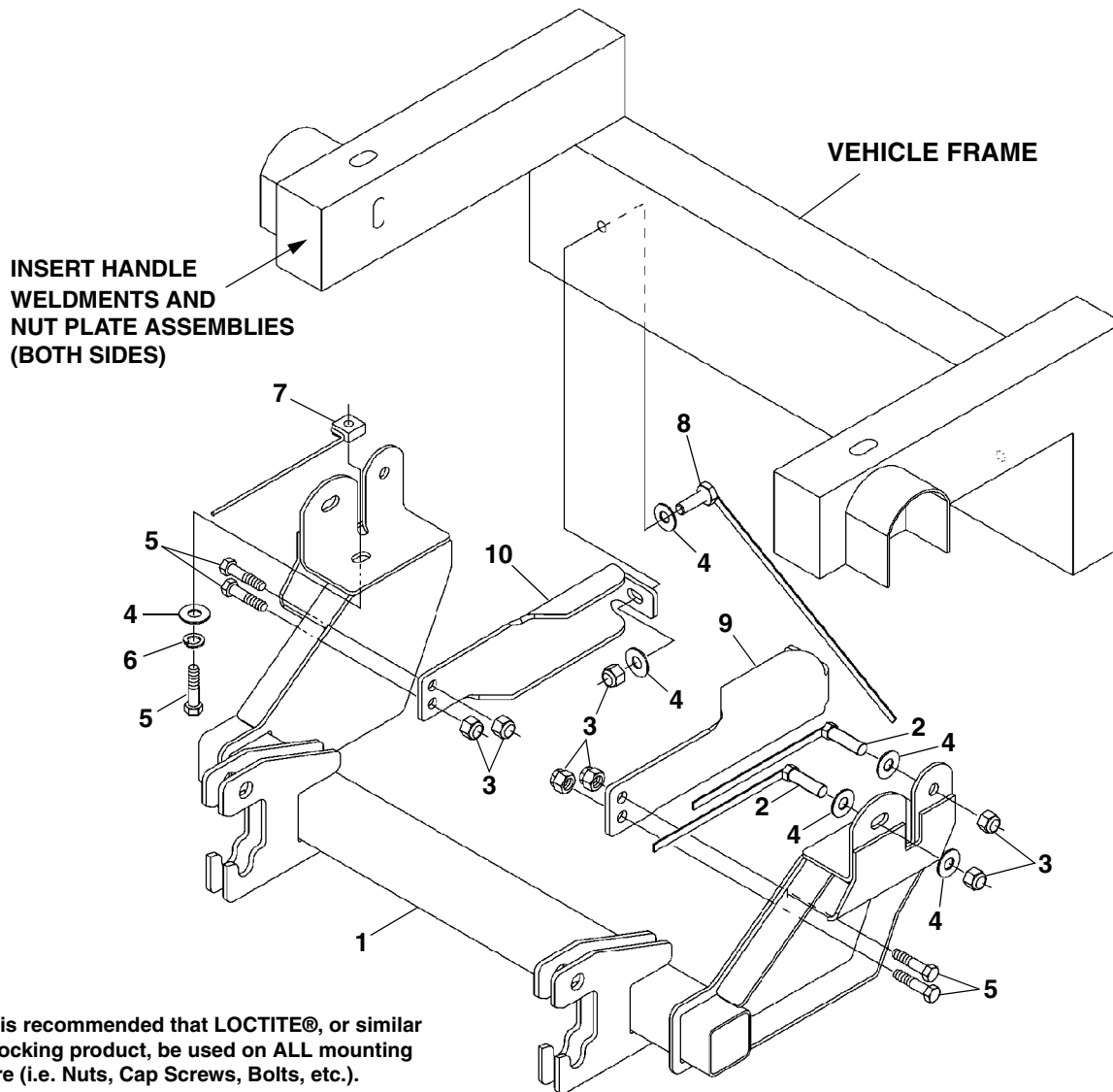
IMPORTANT: Height from the center of the lower Plow Mounting holes on the Vehicle Mount Kit to the ground should be between 8" and 10" to ensure proper operation.

TORQUE SPECIFICATIONS FOR STANDARD MACHINE HARDWARE					
Bolt Size	GR.2 Dry	GR.5 Dry	GR.8 Dry	Metric Size	GR.8.8 Dry
1/4"	66*	9	12	M8	17
5/16"	11	17	25	M10	35
3/8"	20	30	45	M12	60
7/16"	32	50	70	M14	95
1/2"	50	75	110	M16	155
9/16"	70	110	150		
5/8"	100	150	220		
3/4"	175	260	380		
7/8"	170	430	600		
1"	250	640	900		

Note: These torque values are to be used for all hardware. Unless otherwise specified, all torque values must meet this specification.
 Note: All torque values are in Ft.-Lbs unless otherwise stated
 Note: *In-Lbs

REMEMBER After 5 to 10 hours of snowplow usage, re-torque all Cap Screws!

PARTS LIST



Note: It is recommended that LOCTITE®, or similar thread locking product, be used on ALL mounting hardware (i.e. Nuts, Cap Screws, Bolts, etc.).

ITEM	PART NO.	DESCRIPTION	QTY.
1	96108521*	Vehicle Center Mtg	1
2	96108074*	Handle Bolt Weldment.....	6
3	98009013	Nut, Nylock, 1/2"	6
4	98009011	Washer, Flat, 1/2"	8
5	98009010	Cap Screw, Hex Head 1/2"-13 x 1-1/2"	2
6	98009012	Washer, Lock, 1/2"	2
7	96107704*	Nut Plate Assembly	2
8	96108555*	Handle Bolt Weldment.....	2
9	96109980*	Bracket Rear Support, LH	1
10	96110114*	Bracket Rear Support, RH.....	1

* Not Available As a Service Part

SNO-WAY® INTERNATIONAL, INC.

SNO-WAY
SNOW & ICE CONTROL EQUIPMENT

Hartford, WI 53027 USA
Website: www.snoway.com
©2007 Sno-Way® International