



**Adapter Kit
Wiring Diagram
&
Installation Instructions**

FOR 99100956 ADAPTER KIT

WIRING DIAGRAM



1. THINK SAFETY, ALWAYS WEAR SAFETY GLASSES WHEN PERFORMING THE OPERATIONS PRESCRIBED IN THESE INSTRUCTIONS
2. READ ALL INSTRUCTIONS CAREFULLY BEFORE ATTEMPTING INSTALLATION

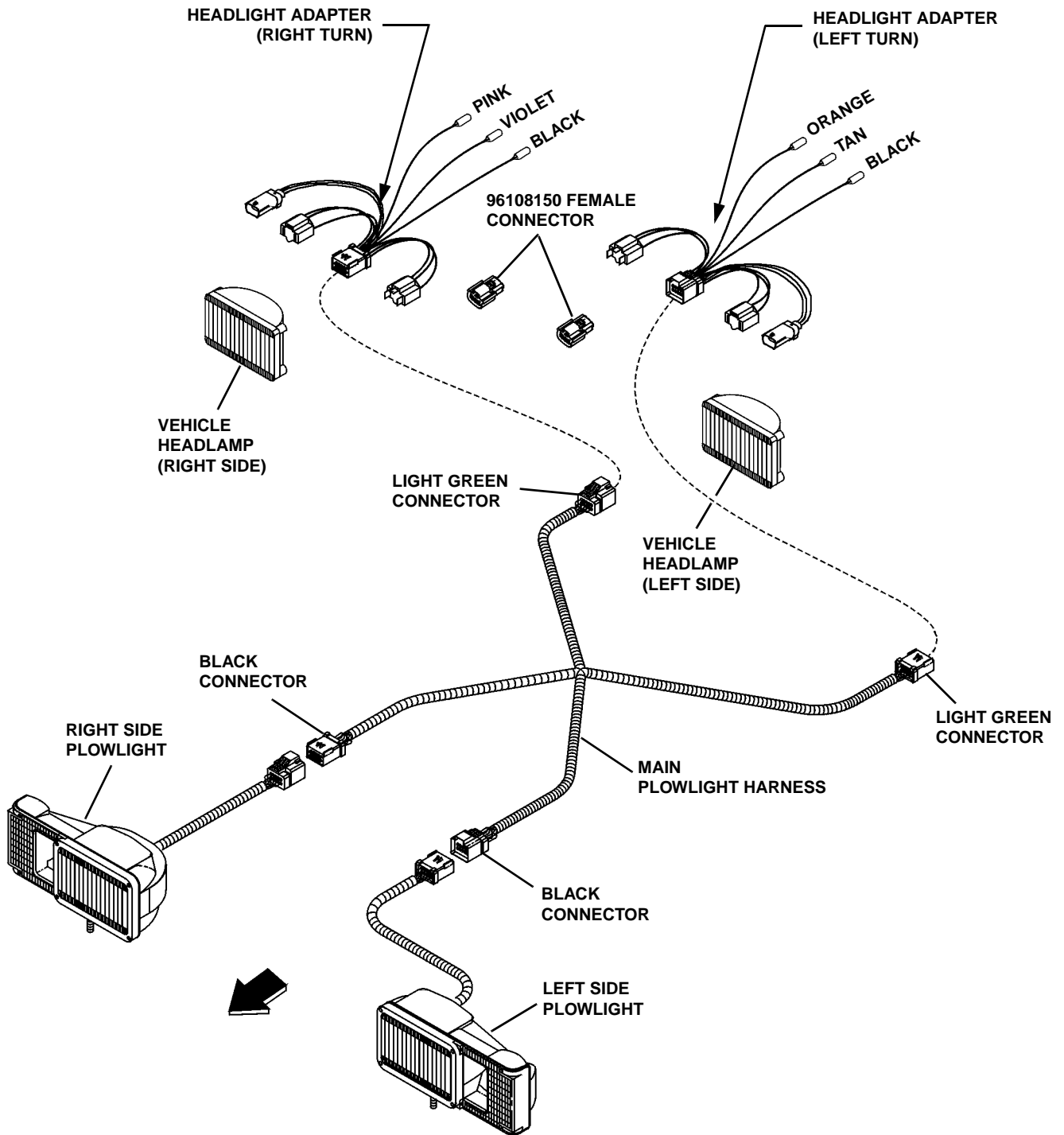


Figure 1

Headlight Adapter Schematic - Female (96111305)

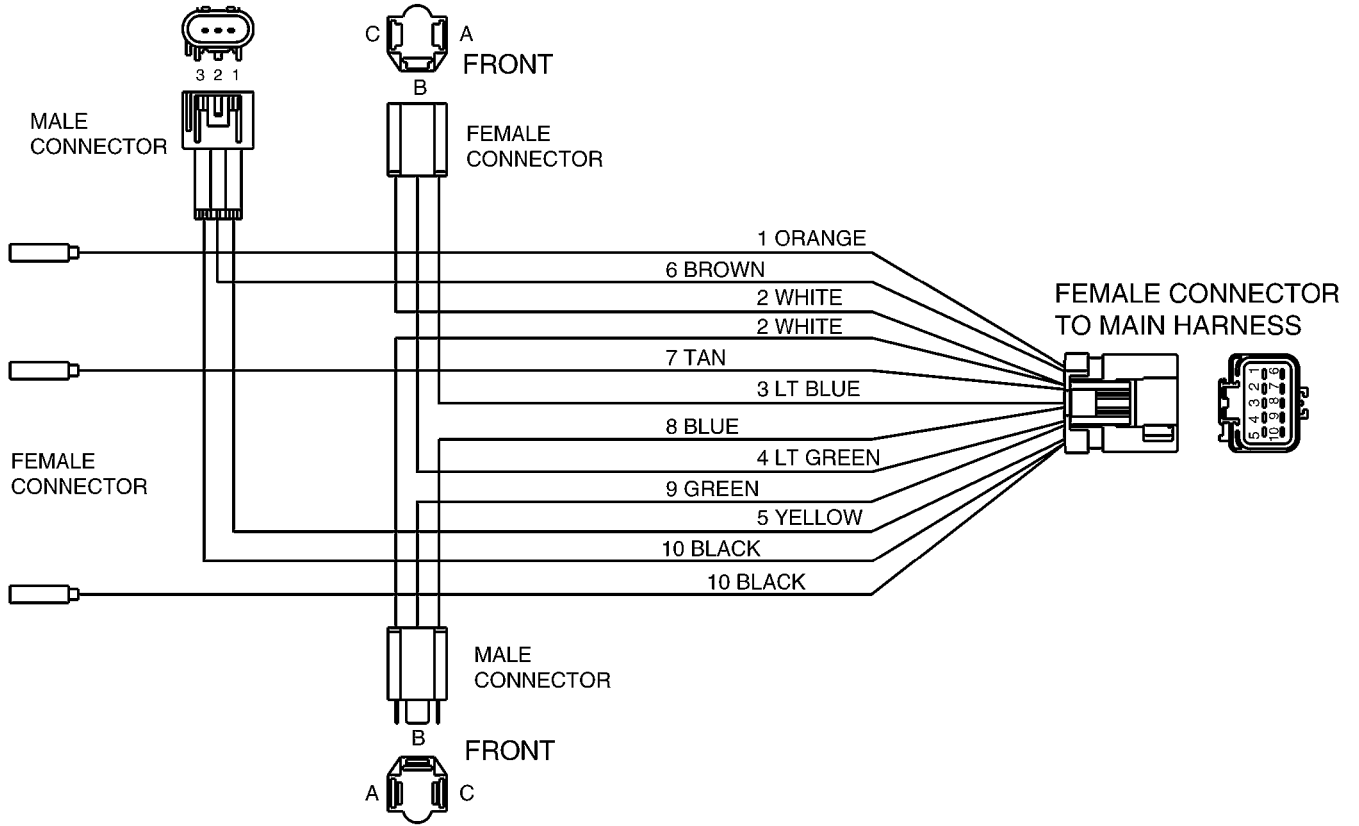


Figure 2

Headlight Adapter Schematic - Male (96111306)

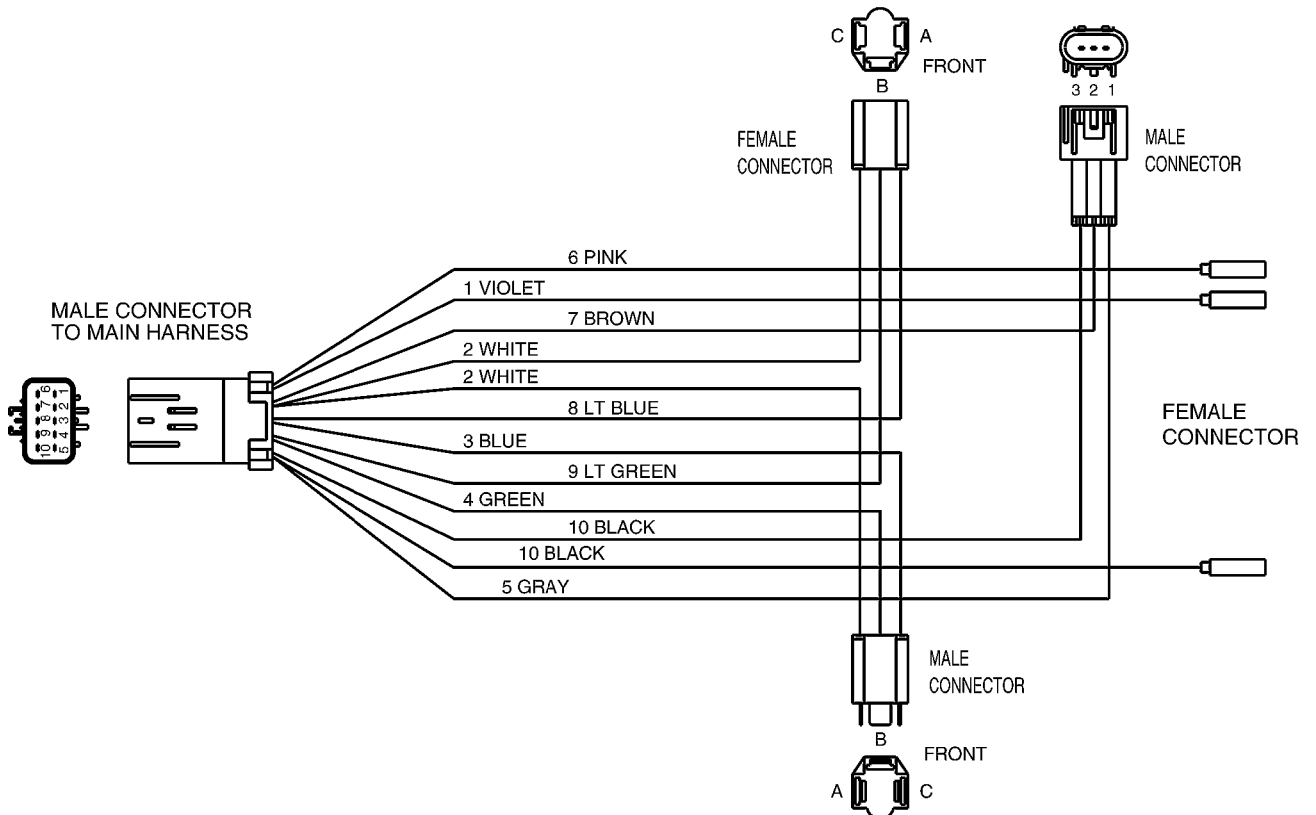


Figure 3

ADAPTER KIT INSTALLATION (Refer to Diagram)



CAUTION

- **THINK SAFETY, ALWAYS WEAR SAFETY GLASSES WHEN PERFORMING THE OPERATIONS PRESCRIBED IN THESE INSTRUCTIONS**
- **READ ALL INSTRUCTIONS CAREFULLY BEFORE ATTEMPTING INSTALLATION**

IMPORTANT: Use a dielectric compound on all connections to prevent corrosion.

1. Disconnect the vehicle headlight electrical connector from the back of the vehicle headlamps.

NOTE: In order to disconnect some vehicle headlight connectors, it may be necessary to remove the headlamp assembly from the front of the vehicle, if the connector is not easily accessible.

2. Plug together the light green connectors on the main harness with the corresponding adapter needed for the vehicle. The drivers' side connection (female 2x5 connector) has a yellow wire and the passengers' side connection (male 2x5 connector) has a gray wire.

IMPORTANT: The correct adapters must be connected to each side for proper function.

3. On the Driver's Side (Left Turn):

- Plug the corresponding connectors into the back of the vehicle headlight for both the high beam and the low beam and then the connectors from the vehicle headlight for both the high and the low beam into the corresponding connectors on the headlight adapter.
- Unplug the turn signal connector from the vehicle. Monitor the wires for turn, park and common and **note the location of each wire**.
- Remove the wires with the terminals and seals from the back of the vehicle connector. (Note the vehicle connector should be empty at this point.)
- Plug in the wires from the adapter harness into the now empty vehicle turn signal as follows:
The orange wire plugs into the turn source wire location (pin 3), the tan wire plugs into the park source location (pin 2), and the black wire plugs into the common wire location (pin 1).
Once all the wires are plugged into the back of the connector, plug the connector back into the back of

the headlight.

- Now take the wires from the vehicle that were removed from the turn signal connector and plug them into the connector (96108150) provided and shown in Figure 1 as follows:
Turn source into pin 1, park source into pin 2 and common into pin 3.
Once all wires are plugged into the back of the connector provided, plug the connector into the mating connector on the adapter harness.
4. On the Passenger's Side (Right Turn):
 - Plug the corresponding connectors into the back of the vehicle headlight for both the high beam and the low beam and then the connectors from the vehicle headlight for both the high and the low beam into the corresponding connectors on the headlight adapter.
 - Unplug the turn signal connector from the vehicle. Monitor the wires for turn, park and common and **note the location of each wire**.
 - Remove the wires with the terminals and seals from the back of the vehicle connector. (Note the vehicle connector should be empty at this point.)
 - Plug in the wires from the adapter harness into the now empty vehicle turn signal as follows:
The violet wire plugs into the turn source wire location (pin 3), the pink wire plugs into the park source location (pin 2), and the black wire plugs into the common wire location (pin 1).
Once all the wires are plugged into the back of the connector, plug the connector back into the back of the headlight.
 - Now take the wires from the vehicle that were removed from the turn signal connector and plug them into the connector (96108150) provided and shown in Figure 1 as follows:
Turn source into pin 1, park source into pin 2 and common into pin 3.
Once all wires are plugged into the back of the connector provided, plug the connector into the mating connector on the adapter harness.

IMPORTANT: Retain a record of how the vehicle wiring configuration was before alteration in the event snow plow is removed.



CAUTION

**Make sure that wire harness is routed away from all moving engine components.
Example; fan, belts etc.
DO NOT attach wire harness to hoses, radiator
AC coils, exhaust manifolds, or control cables.**

SNO-WAY® INTERNATIONAL, INC.

SNO-WAY
SNOW & ICE CONTROL EQUIPMENT

Hartford, WI 53027 USA
Website: www.snoway.com
©2007 Sno-Way® International