

SNO-WAY[®]

SNOW & ICE CONTROL EQUIPMENT

SERVICE PARTS MANUAL

**MEGABLADE[™] REVOLUTION[™] SERIES
SNOW PLOW**

WITH SERIAL NUMBER AFTER
MBR100000

Sno-Way[®], Down Pressure[®] and EIS[®] are registered trademarks of Sno-Way International, Inc.
ProControl[™], MegaBlade[™], V-Wing[™], E-Z Switch[™], Revolution[™], MaxAdjust[™], SpeedLock[™], and QuickJack[™]
are trademarks of Sno-Way International, Inc.

©2021 Sno-Way[®] International

97101506E

TABLE OF CONTENTS

	Page
PARTS LIST INTRODUCTION	2
USING THIS PARTS LIST	2
PART DESCRIPTION ABBREVIATIONS	2
BLADE (FRONT)	3
A-FRAME/SPRINGS	4
GUIDES/WING FOLD MECHANISM	5
LOWER LIGHT BAR ASSEMBLY (LLLB)	6
QUICKJACK™ STAND	7
HYDRAULIC SYSTEM.....	8
HYDRAULIC POWER UNIT	9
HYDRAULIC SWING CYLINDERS	11
HYDRAULIC WING CYLINDERS	12
PROCONTROL™ SYSTEM WIRING - S.N. BEFORE MBR100499.....	13
PROCONTROL™ SYSTEM WIRING - S.N. AFTER MBR100500.....	14
POWER PACK WIRING	15
AUXILIARY LIGHTING	16
NUMERICAL INDEX	17

PARTS LIST INTRODUCTION

Our dealership network stands by to provide you with any assistance you may require, including genuine Sno-Way service parts. All parts should be obtained from or ordered through your dealer. Give complete information about the part as well as the Model Number and Serial Number of your machine.

Record the Serial Number in the space provided in your Owner's Manual for quick reference. The Serial Number for the unit is on a plate located on the left frame gusset of the Hopper Frame.

"Right" and "Left" are determined from a position sitting on the Operators Seat of the vehicle.

We reserve the right to make changes or improvements in the design or construction of any part without incurring the obligation to install such changes in any unit previously delivered.

USING THIS PARTS LIST

Below is parts listing with four columns. The first column is the "ITEM", the second is the "PART NUMBER", The third is the "DESCRIPTION" and the fourth is the "QUANTITY".

The **"ITEM"** is the number used in the corresponding illustration.

The **"PART NO."** is the number used to order replacement parts. If a number does not appear in the column the part is only available by ordering the complete assembly.

The **"DESCRIPTION"** is the name of the replacement part. At times the name may be indented, this means that the indented parts are part of the preceding assembly.

The **"QTY."** is the quantity needed to service the assembly illustrated, not the complete product.

ITEM	PART NO.	DESCRIPTION	QTY.
1	96100083	O-ring	1
2	96001529	Elbow	3
3	98100036	Capscrew, Hex.,3/8"-16NC x 7/8"	9

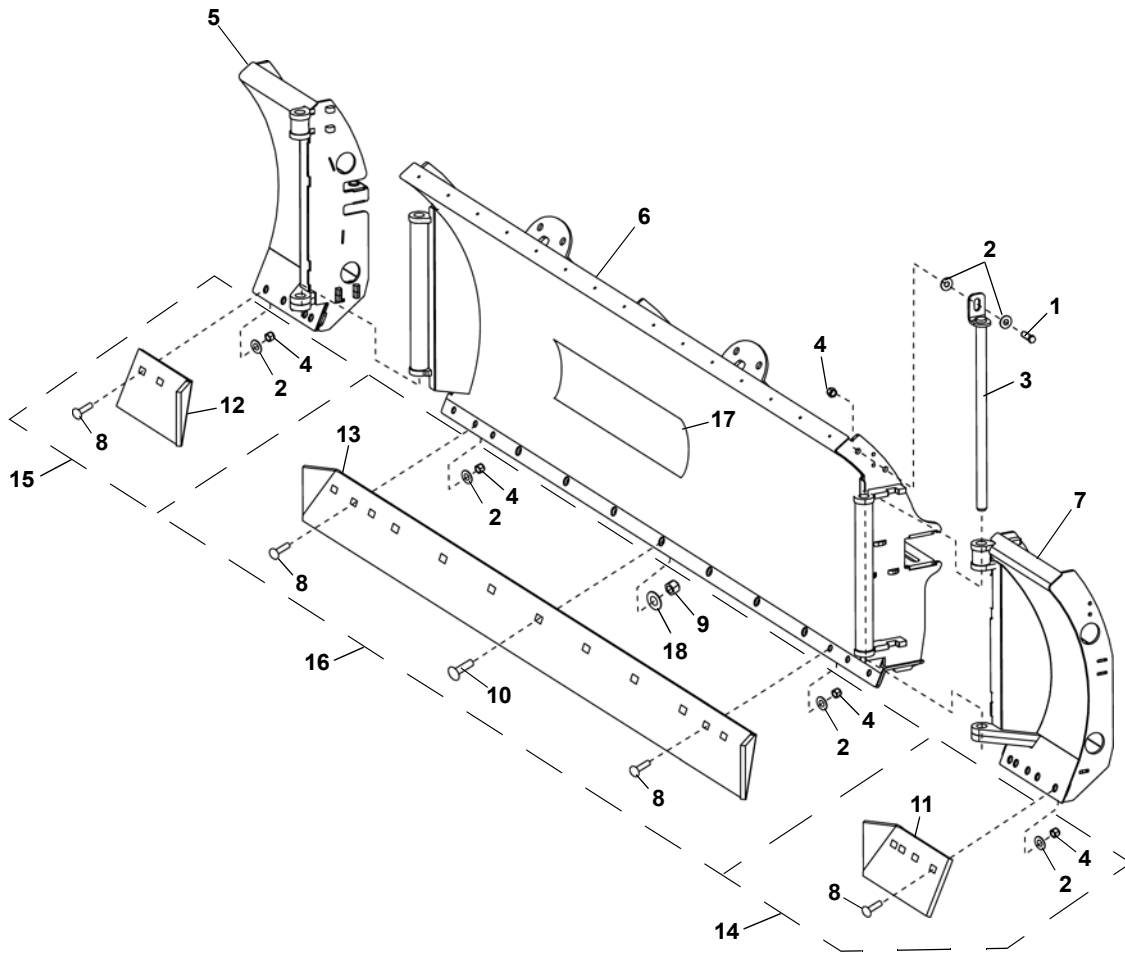
PART DESCRIPTION ABBREVIATIONS

Our Part Descriptions use common industry standard abbreviations in the naming conventions for many individual items. The list below details the abbreviations commonly used throughout this manual. If a specific abbreviation is not listed, contact any Sno-Way Dealer for clarification.

ABBREV.	DESCRIPTION
BRKT	BRACKET
CB	CARRIAGE BOLT
CLP	CLEVIS PIN
COTP	COTTER PIN
DP	DOWN PRESSURE
DS	DRIVER SIDE
EB	EYE BOLT
GR	GRADE
HDWE	HARDWARE
HHCS	HEX HEAD CAP SCREW
HN	HEX NUT
HNILN	HEX NYLON INSERT LOCKNUT

ABBREV.	DESCRIPTION
HW	HARD WIRED
HWH	HEX WASHER HEAD
LN	LOCK NUT
LW	HELICAL LOCK WASHER
PS	PASSENGER SIDE
PW	PLAIN FLAT WASHER
SHCS	SOCKET HEAD CAP SCREW
SLT	SLOTTED
SS	STAINLESS STEEL
ST	SELF-THREADING
UB	U-BOLT
WL	WIRELESS

BLADE (FRONT)

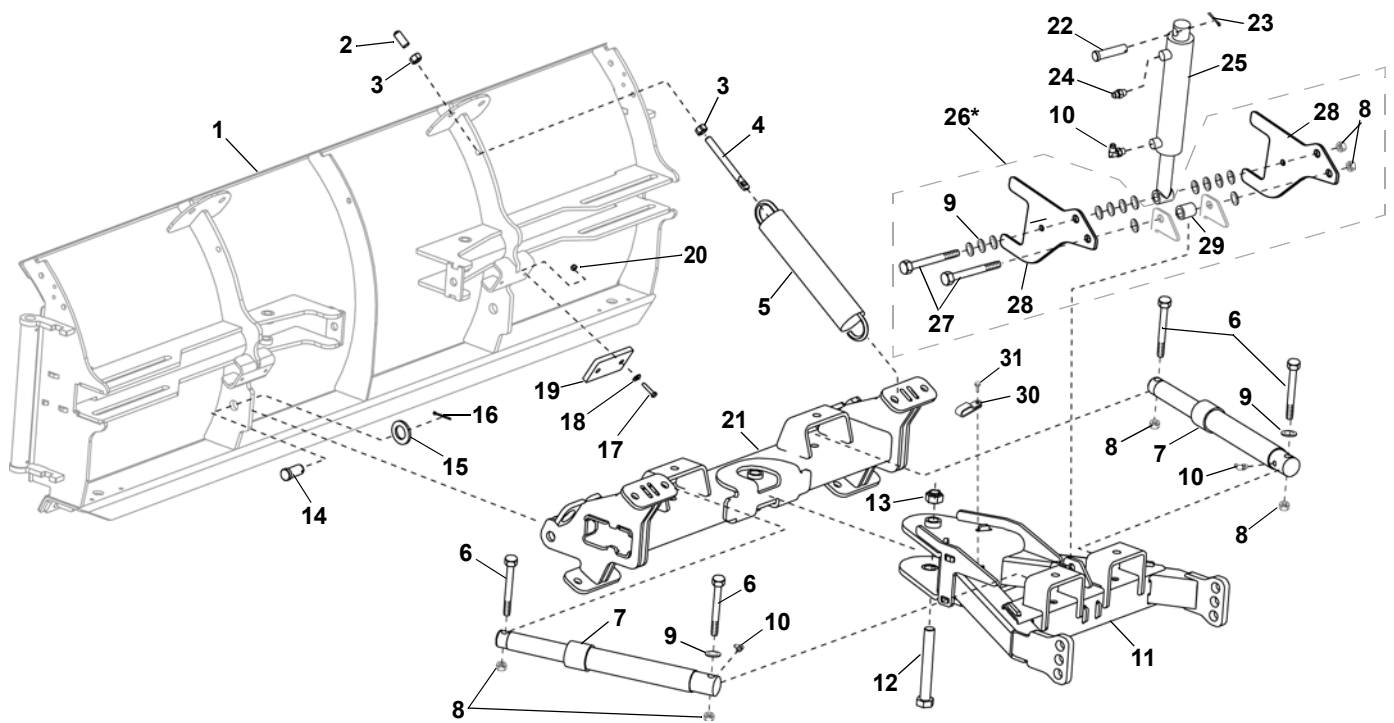


ITEM	PART NO.	DESCRIPTION	QTY
1	98009010	HHCS. 1/2-13 X 1-1/2. GR 8, ZP/DT.....	2
2	98100176	PW, 1/2"	18
3	96110344	WELDMNT, PIN, MBR	2
4	98009013	LN, 1/2-13, NYLON INSERT, ZP/DT	16
5	96110245	WELDMNT, WING, MBR, PS	1
6	96111800	WELDMNT, MAIN BLADE, MBR, 96"	1
7	96111315	WELDMNT, WING, MBR, DS	1
8	98009099	CB, 1/2"-13 X 2"	14
9	98009003	LN, 3/4"-10, NYLON INSERT	7
10	98100470	CB, 3/4"-10 X 2-1/2"	7
11		WEARSTRIP, MBR, DS	1
12		WEARSTRIP, MBR, PS.....	1
13		WEARSTRIP, STEEL, MAIN, MBR.....	1
14	96113326	KIT, WEARSTRIP, MBR, DS (INCLUDES ITEMS #2, 4 & 8)	1
15	96113327	KIT, WEARSTRIP, MBR, PS (INCLUDES ITEMS #2, 4, & 8)	1
16	96118214	KIT, WEARSTRIP, MBR, MAIN (INCLUDES ITEMS #2, 4, 8, 9, 10 & 18)	1
17	97101524	DECAL, MEGA BLADE	1
18	98009030	PW, 3/4"	7

NOTE: Descriptions above use common industry standard abbreviations in the naming conventions.

Reference "PART DESCRIPTION ABBREVIATIONS" on page 3 for a list of abbreviations used in this manual.

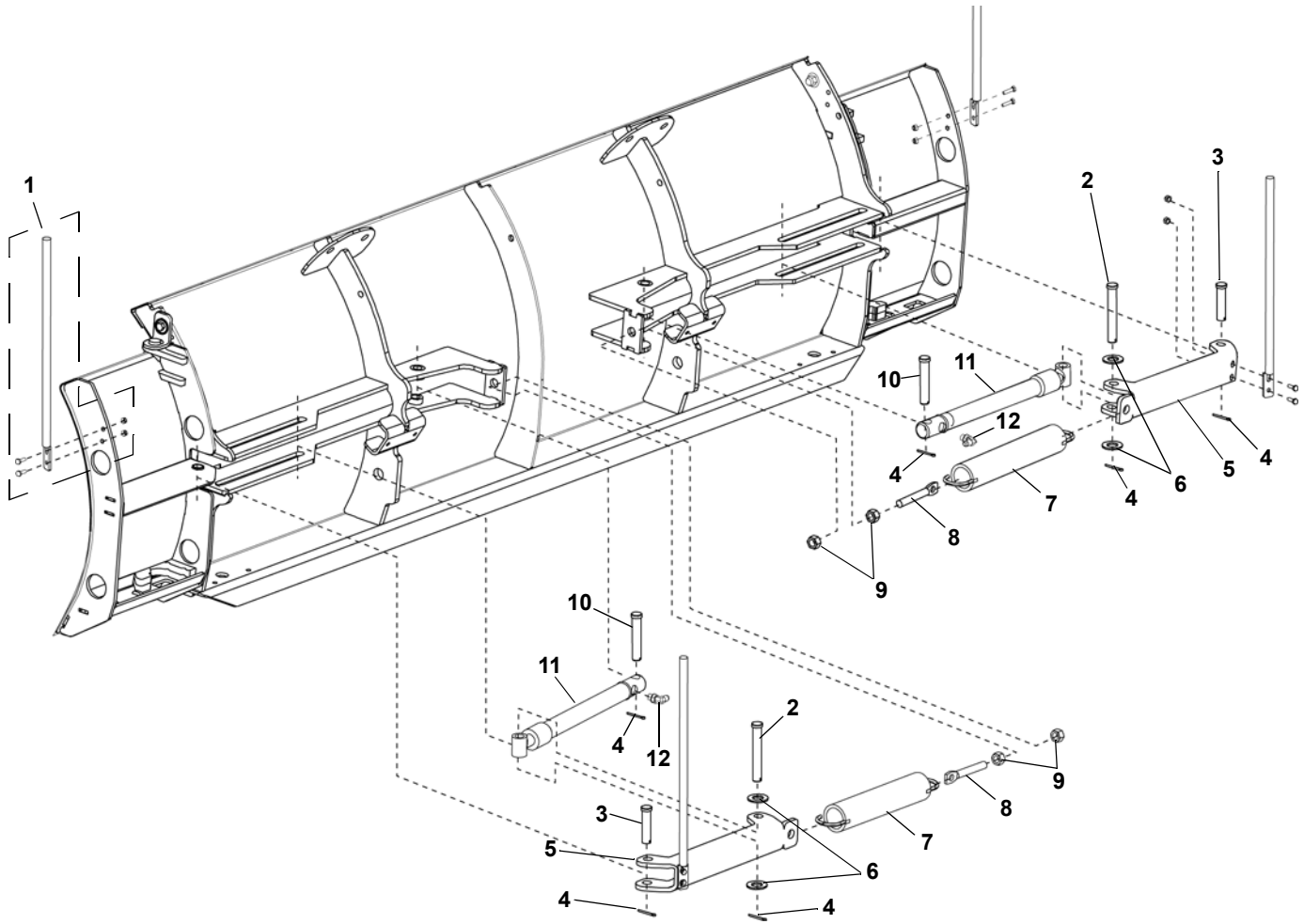
A-FRAME/SPRINGS



ITEM	PART NO.	DESCRIPTION	QTY
1	96111800	WELDMENT, MAIN BLADE, MBR, 96"	1
2	96112336	PROTECTIVE CAP, EYE BOLT	4
3	98009078	HN, .62"-11, ZINC	8
4	98009037	EB, .62"-11 X 6.0", ZP/DT	4
5	96001392	SPRING, TRIP	4
6	98100468	HHCS, 3/4"-10 X 8, GR. 8, ZP/DT	4
7	96112185	CYLINDER, SWING, SA, 1-3/4" X 11", MBR	2
8	98009003	LN, 3/4"-10, NYLON INSERT, ZP/DT	6
9	98009030	PW, 3/4, A NARROW, ZP/DT (1 PER CYLINDER)	16
10	96100001	FITTING, ELBOW 90°	3
11	96111960	WELDMENT, A-FRAME, MBC & MBR	1
12	98100006	HHCS, 1-14 X 7-1/2, GR 8, ZP/DT	1
13	98100294	HLN, 1.00-14, ZP/DT	1
14	98100433	CLP, 1" X 2", GR. 5, ZP/DT	2
15	98009005	PW, 1, A NARROW, ZP/DT	2
16	98100452	COTP, 5/32" X 1-3/4", ZP/DT	2
17	98009023	HHCS, .31"-18 X 1.5", GR. 8, ZINC	4
18	98009230	PW, 5/16, W WIDE, ZP/DT	4
19	96112439	KIT, STOP BLADE (INCLUDES ITEMS #17, 18, 19, 20)	1
20	98009150	LN, 5/16-18, NYLON INSERT, ZP/DT	4
21	96110192	WELDMENT, SWING FRAME, MBC & MBR	1
22	98100441	CLP, 3/4" X 5" GR. 5, ZP/DT	1
23	98009085	COTP, 5/32" X 1-1/2", ZP	1
24	96100000	FITTING, STRAIGHT CONNECTOR	1
25	96112611	CYLINDER, LIFT, 2" X 1" ROD (NOTE: REBUILD KIT NOT AVAILABLE)	1
26	96112627*	KIT, MBR LIFT BRACKET(INCLUDES ITEMS #8, 9, 27, 28, 29)	1
27		HHCS, .75-10 X 5 GR 8 ZP/DT	2
28		BRACKET, LIFT, HIGH POSITION	2
		BRACKET, LIFT, MID POSITION (NOT SHOWN)	2
29		TUBE, SPACER, LIFT MBV KIT	1
30	96112500	CLAMP, HYDRAULIC HOSE	1
31	98100386	HWH, 5/16 X 1-1/4 TE X 3	1

NOTE: The Part Descriptions above use common industry standard abbreviations in the naming conventions. Reference "PART DESCRIPTION ABBREVIATIONS" on page 3 for a list of abbreviations used in this manual.
 *See Owner's Manual for correct Lift Bracket Kit mounting instructions.

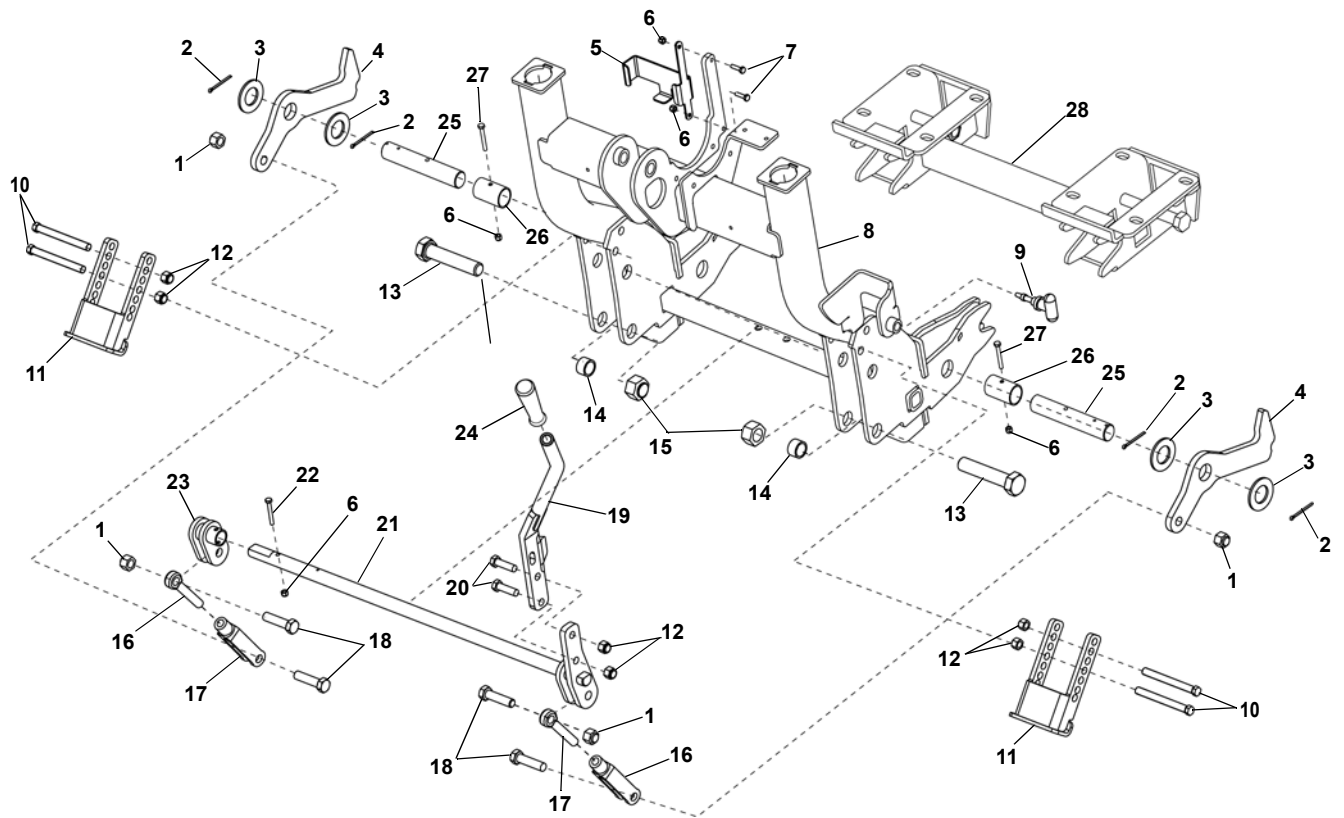
GUIDES/WING FOLD MECHANISM



ITEM	PART NO.	DESCRIPTION	QTY
1	96112352	KIT, BLADE GUIDE-YELLOW.....	4
		HHCS, 5/16-18 X1" SS (INCLUDED WITH ITEM #1)	2
		LN, 5/16"-18, SS (INCLUDED WITH ITEM #1)	2
2	98100441	CLP, 3/4" X 5" GR. 5, ZP/DT	2
3	98100040	PIN, CLEVIS	2
4	98009085	COPT, 5/32 X 1-1/2, ZP	6
5	96111591	LINK, CYLINDER	2
6	98009030	PW, 3/4, A NARROW, ZP/DT.....	4
7	96110881	SPRING RETURN WING, MBR.....	2
8	98100457	EB., 5/8"-11 X 4-1/2", ZP/DT.....	2
9	98009078	HN, .62"-11.....	4
10	98100007	CLP, .75-4.00	2
11	96112070	CYLINDER, WING, SA, 1" X 11-7/8", MBR.....	2
12	96100001	FITTING, ELBOW 90°	2

NOTE: The Part Descriptions above use common industry standard abbreviations in the naming conventions.
Reference "PART DESCRIPTION ABBREVIATIONS" on page 3 for a list of abbreviations used in this manual.

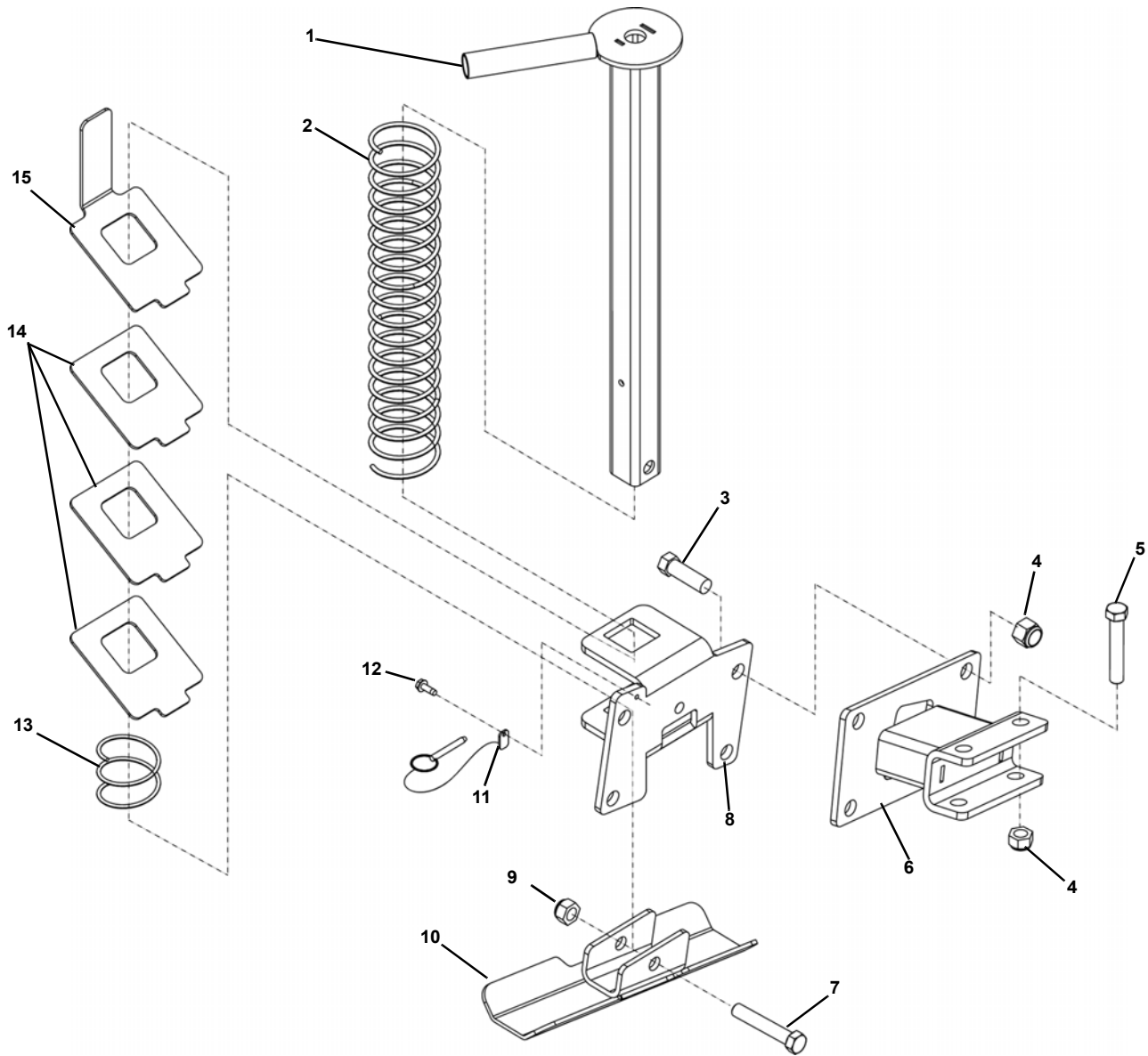
LOWER LIGHT BAR ASSEMBLY (LLLB)



ITEM	PART NO.	DESCRIPTION	QTY
1	98009038	LN, 5/8-11, NYLON INSERT, ZP/DT	8
2	98009069	COPT, 5/32 X 2, ZP/DT.....	4
3	98100439	PW, 1.25" A NARROW, ZP/DT	4
4	96111245	LATCH	2
5	96112180	BRACKET, RECEIVER.....	1
6	98100255	LN, 1/4-20, NYLON INSERT, ZP/DT.....	5
7	98009027	HHCS, .25"-20 X 1.00" GRADE 5.....	2
8	96111240	WELDMENT, LLLB	1
9	96112330	PIN, SPRING SECTION	1
10	98009043	HHCS, .50-13 X 5.00 GR 8 ZP/DT	4
11	96112077	WELDMENT, STOP, LIFT	2
12	98009013	LN, 1/2-13, NYLON INSERT, ZP/DT.....	6
13	98100448	HHCS, 1"-8 X 5", GR. 8, ZP/DT.....	2
14	96101465	TUBE, SPACER.....	2
15	98009053	HNILN, 1.00-8.....	2
16	98100451	TAPPED YOKE.....	2
17	98100450	ROD END- PARTIALLY THREADED.....	2
18	98009259	HHCS, 5/8-11 X 2.50".....	4
19	96112307	WELDMENT, HANDLE UPPER.....	1
20	98100095	HHCS, 1/2-13 X 1-3/4, GR 8, ZP/DT	2
21	96111458	WELDMENT, ATTACH MECHANISM.....	1
22	98100337	HHCS, 1/4"-20 x 1-3/4", GR. 8, ZP/DT	1
23	96112292	WELDMENT, CAM, ATTACH MECH.	1
24	96112417	HANDLE, HOOK-UP.....	2
25	96112604	PIN, LATCH PIVOT.....	2
26	96112603	TUBE, SPACER, LATCH PIVOT.....	2
27	98100447	HHCS, 1/4"-20 X 2, GR 8, ZP/DT	2
28	96112795	VRM (VEHICLE RECEIVER MOUNT).....	1

NOTE: The Part Descriptions above use common industry standard abbreviations in the naming conventions.
Reference "PART DESCRIPTION ABBREVIATIONS" on page 3 for a list of abbreviations used in this manual.

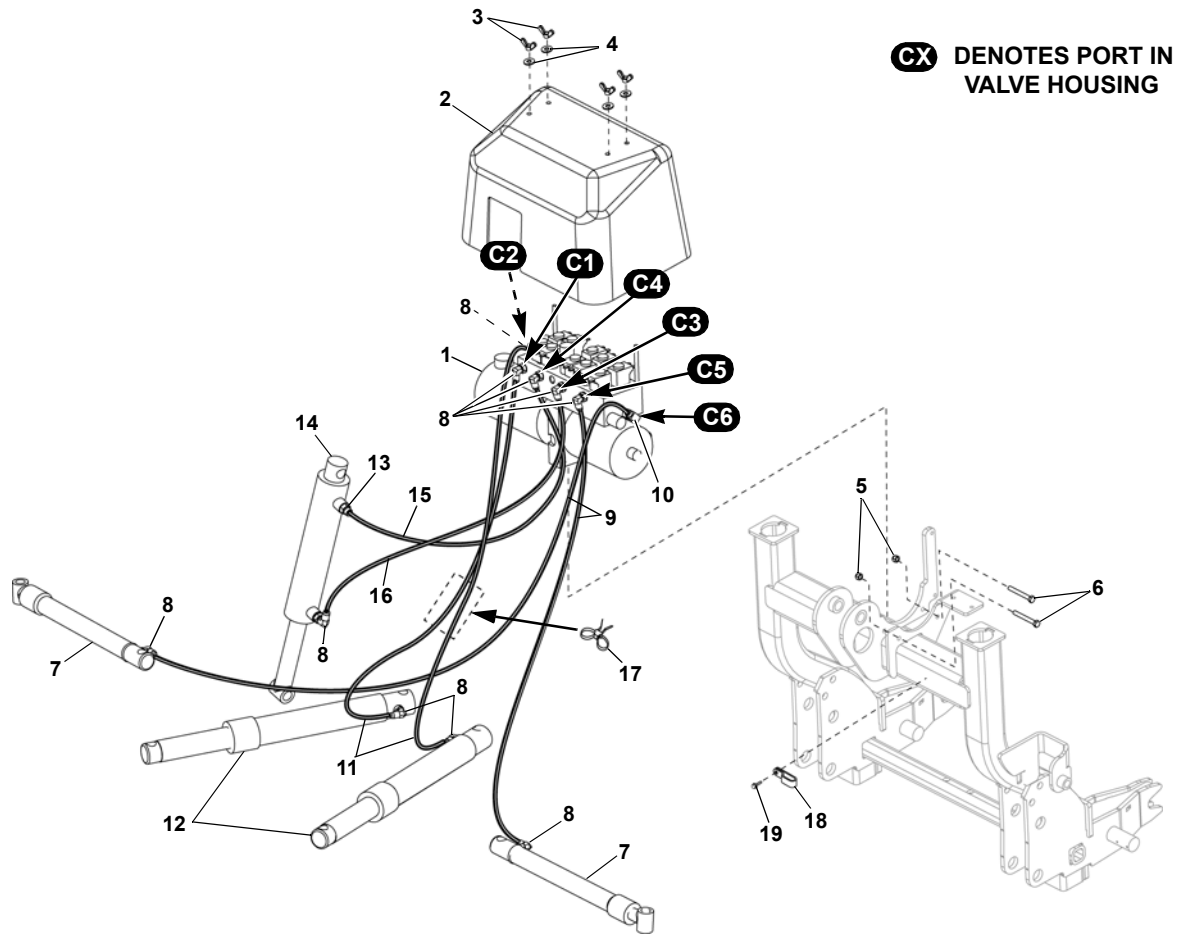
QUICKJACK™ STAND



ITEM	PART NO.	DESCRIPTION	QTY
0	96112436	QUICKJACK™ STAND KIT (INCLUDES ITEMS #1 THROUGH 15)	
1	96112323	WELDMENT, HANDLE, JACKSTAND	1
2	96112012	SPRING, JACKSTAND.....	1
3	98009010	HHCS, 1/2-13 X 1-1/2. GR 8, ZP/DT	4
4	98009013	LN, 1/2-13, NYLON INSERT, ZP/DT	6
5	98009017	HHCS, 1/2-13 X 3, GR 8, ZP/DT.....	2
6	96112171	WELDMENT, JACKSTAND MOUNT.....	1
7	98100393	HHCS, 7/16"-20 X 2-1/2" GR. 8, ZP/DT	1
8	96112009	BRCKT, JACK RETAINER	1
9	98100395	LN, 7/16"-20, GR. 8, ZP/DT	1
10	96112175	WELDMENT, FOOT	1
11	98100462	PIN, 1/4"-20, LAYNARD	1
12	98100464	HEX WASHER HEX SCREW, #8 X 1/2"	1
13	96112013	SPRING, JACKSTAND.....	1
14	96112011	BRACKET, RACHET PLATE.....	3
15	96112166	BRACKET, RACHET PLATE W/HANDLE.....	1

NOTE: The Part Descriptions above use common industry standard abbreviations in the naming conventions.
Reference "PART DESCRIPTION ABBREVIATIONS" on page 3 for a list of abbreviations used in this manual.

HYDRAULIC SYSTEM

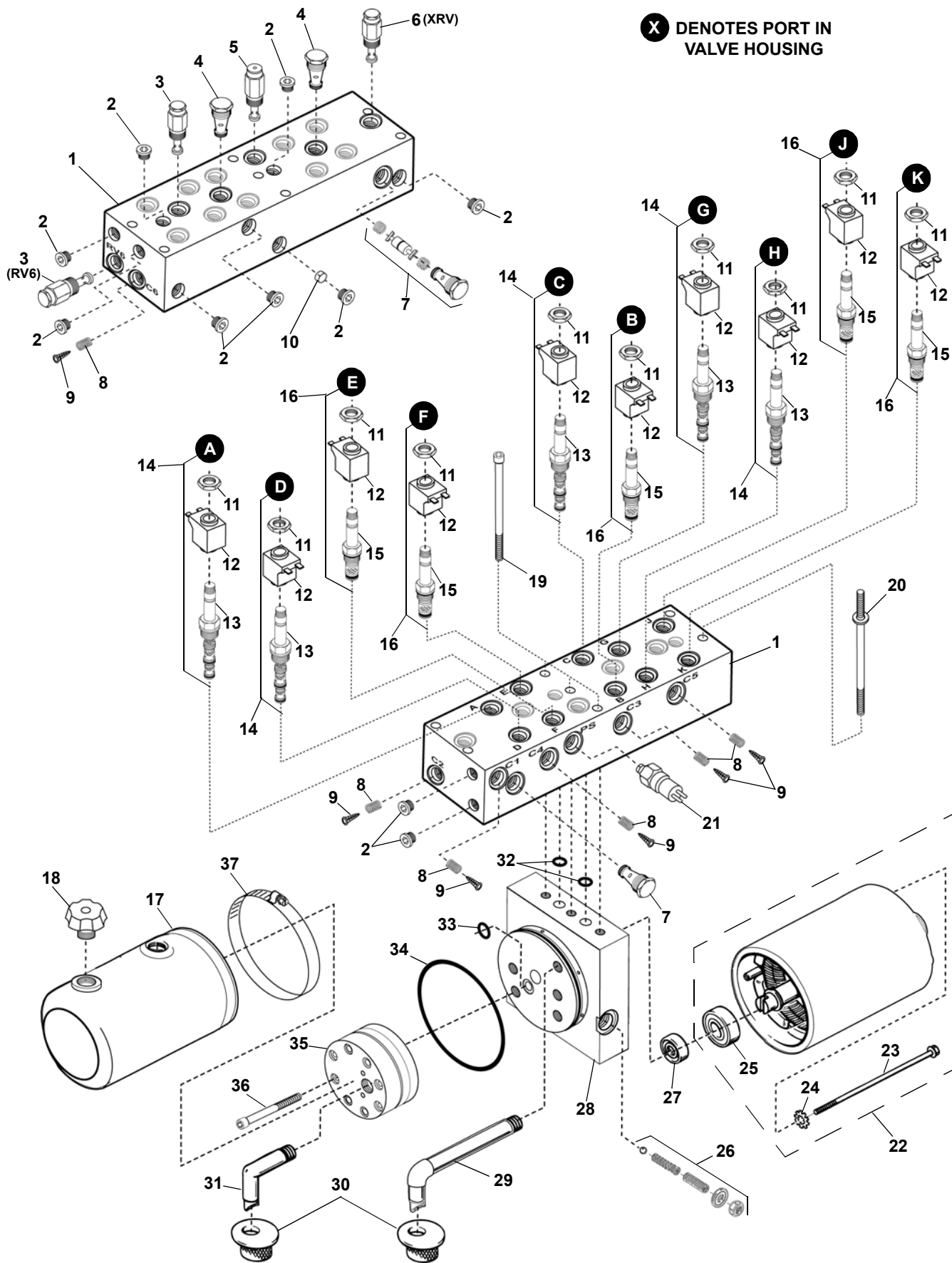


ITEM	PART NO.	DESCRIPTION	QTY
1	96111957	POWER UNIT, MBR.....	
2	96112151	PUMP COVER, MBR.....	1
3	98100456	WING NUT, 5/16"-18 UNC, ZP/DT.....	4
4	98009230	PW, 5/16, W WIDE, ZP/DT.....	4
5	98009150	LN, 5/16-18, NYLON INSERT, ZP/DT.....	2
6	98009082	HHCS, .31"-18 X 2.50" GR 5 ZP/DT.....	2
7	96112070	CYLINDER, WING, SA, 1" X 11-7/8", MBR.....	2
8	96100001	FITTING, ELBOW 90°.....	10
9	96112321	HOSE, HYDRAULIC 68.00 (VALVE PORT #C5 & C6).....	2
10	96112893	FITTING, ELBOW, 90, DOUBLE LENGTH.....	1
11	96112319	HOSE, HYDRAULIC 34.00 (VALVE PORT #C1 & C2).....	2
12	96112185	CYLINDER, SWING, SA, 1-3/4" X 11", MBR.....	2
13	96100000	FITTING, STRAIGHT CONNECTOR.....	1
14	96112611	CYLINDER, LIFT, 2" X 1" ROD (NOTE: REBUILD KIT NOT AVAILABLE).....	1
15	96112924	HOSE, HYDRAULIC, 14.00 (VALVE PORT #C4).....	1
16	96112923	HOSE, HYDRAULIC, 20.00 (VALVE PORT #C3).....	1
17	96112692	STRAP, DUAL TIE.....	1
18	96112500	CLAMP, HYDRAULIC HOSE.....	1
19	98100386	HWH, 5/16 X 1-1/4 TE X 3.....	1

NOTE: The Part Descriptions above use common industry standard abbreviations in the naming conventions. Reference "PART DESCRIPTION ABBREVIATIONS" on page 3 for a list of abbreviations used in this manual.

HYDRAULIC POWER UNIT

X DENOTES PORT IN VALVE HOUSING

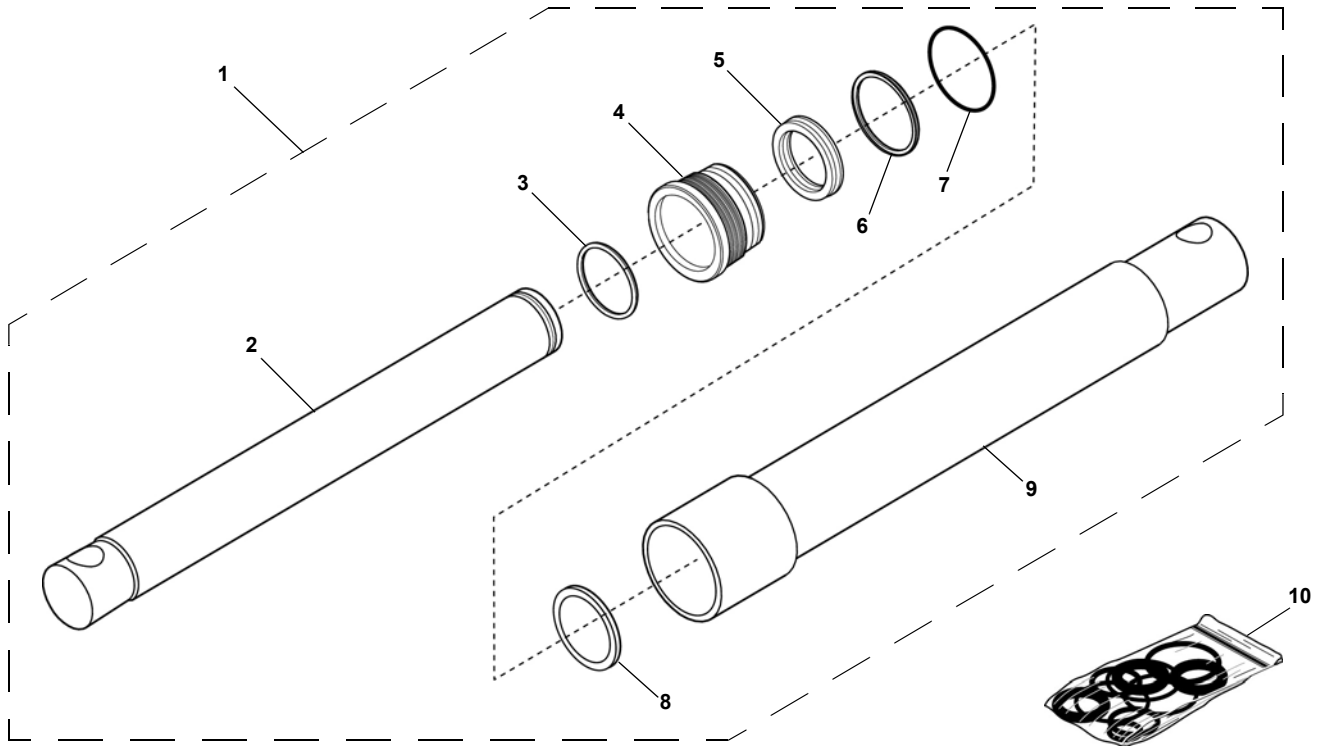


HYDRAULIC POWER UNIT

ITEM	PART NO.	DESCRIPTION	QTY
0		VALVE ASSEMBLY	1
1		HOUSING, VALVE	1
		PLUG, EXPANDER, BALL TYPE (NOT SHOWN)	19
2	96105234	FITTING, PLUG	10
3	96105732	VALVE, RELIEF CART, SIZE 8	2
4	96105238	VALVE, CK, CART, SIZE 8	2
5	96105253	VALVE, RELIEF CARTRIDGE, SIZE 8	1
6	96112553	VALVE, RELIEF CART	1
7	96112948	KIT, CHECK VALVE, DELTRO	2
		VALVE, PISTON ASSMBLY	1
8	96105250	FILTER, INLINE	6
9	96105251	SPRING, RETAINING	6
10	96106102	PLUG, ORIFACE, #55	1
11	96105275	NUT, COIL, PARKER	10
12	96111171	COIL, 10VDC, #8 (BLUE)	10
13	96108324	VALVE, CARTRIDGE, 3W/2P, #8, HI-FLOW	5
14	96112584	KIT, VALVE CARTRIDGE (INCLUDES ITEMS #11, 12, 13)	5
15	96108325	VALVE, CARTRIDGE, 2W/2P, NC, POPPET	5
16	96108342	KIT, VALVE CARTRIDGE (INCLUDES ITEMS #11, 12, 15)	5
17	96112556	RESERVOIR, PLASTIC	1
18	96105244	PLUG, BREATHER	1
19	96105237	SCREW, SOCKET HEAD 1/4"-20 X 3"	3
20	96112410	WELDMENT, ATTACHMENT, PUMP COVER	4
21	96101976	SWITCH, PRESSURE	1
22	96105233	MOTOR, 12 VDC 4.5"	1
23		FHCS	2
24		WASHER, EXTERNAL TOOTH	2
25		BEARING, MOTOR BASE	1
26	96105313	KIT, RELIEF VALVE	1
27	96105317	SEAL, SHAFT	1
28		BASE ASSEMBLY	1
29	96112558	TUBE ASSEMBLY, RETURN	1
30	96105245	16.32 FILTER	2
31	96105737	TUBE, SUCTION, 90°, 3/8" NPT	1
32	96105314	O-RING (5/8" X 3/4" X 1/16")	2
33	96105316	O-RING (1/2" X 5/8" X 1/16")	1
34	96105315	O-RING (3-5/8" X 3-7/8" X 1/8")	1
35	96105735	PUMP ASSEMBLY	1
36		SHCS	4
37	96105231	CLAMP	1

*NOTE: The Part Descriptions above use common industry standard abbreviations in the naming conventions.
Reference "PART DESCRIPTION ABBREVIATIONS" on page 3 for a list of abbreviations used in this manual.*

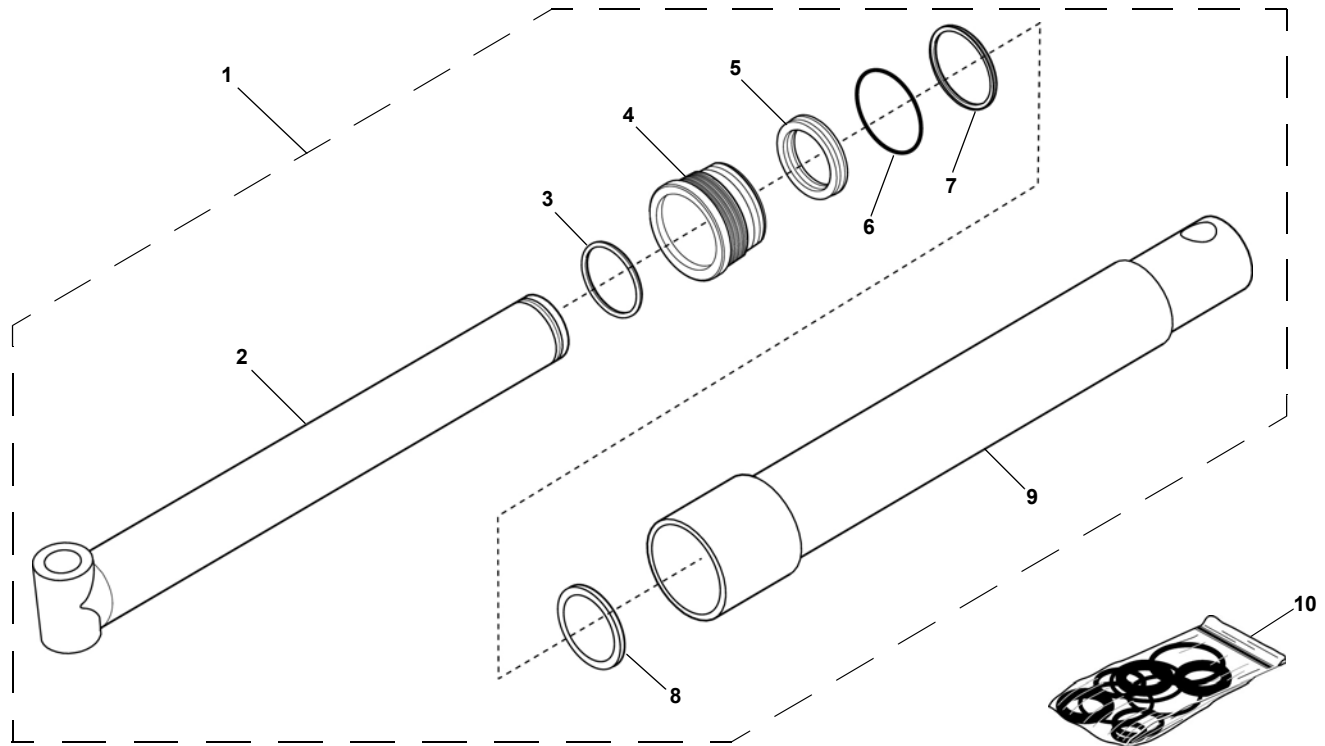
HYDRAULIC SWING CYLINDERS



ITEM	PART NO.	DESCRIPTION	QTY
1	96112185	CYLINDER, SWING, SA, 1-3/4" X 11", MBR.....	2
2		ROD	1
3		WIPER	1
4	96112576	GLAND NUT, CYLINDER SWING MBR	1
5		SEAL, ROD	1
6		RING, BACK UP	1
7		O-RING	1
8		GUIDE RING.....	1
9		BODY ASSEMBLY	1
10	96112577	KIT, SEAL, SWING CYLINDER MBR (INCLUDES ITEMS #3, 5-7).....	1

NOTE: The Part Descriptions above use common industry standard abbreviations in the naming conventions.
 Reference "PART DESCRIPTION ABBREVIATIONS" on page 3 for a list of abbreviations used in this manual.

HYDRAULIC WING CYLINDERS

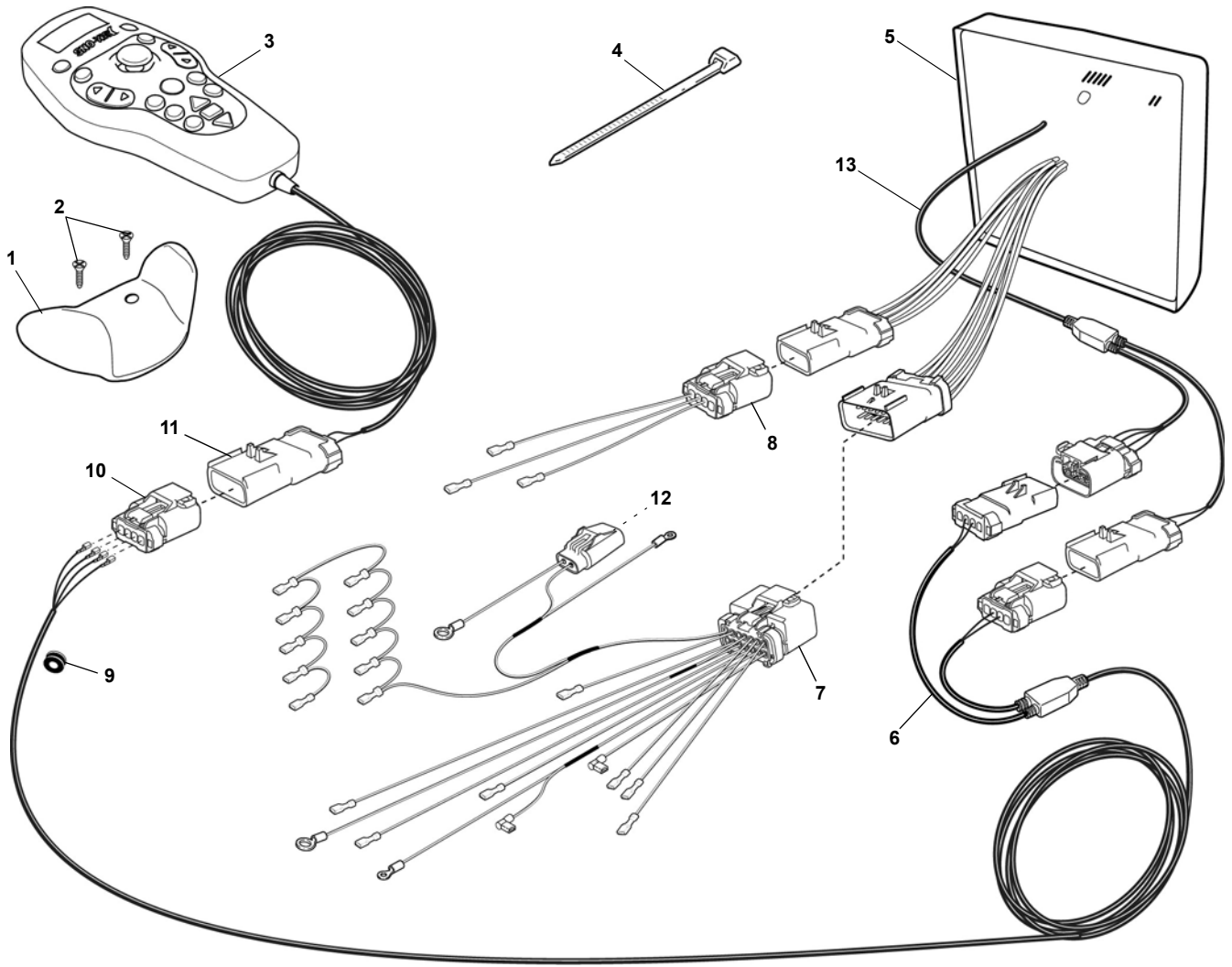


ITEM	PART NO.	DESCRIPTION	QTY
1	96112070	CYLINDER, WING, SA, 1" X 11-7/8", MBR.....	2
2		ROD.....	1
3		WIPER.....	1
4	96112578	GLAND NUT, CYLINDER WING MBR.....	1
5		SEAL, ROD.....	1
6		RING, BACK UP.....	1
7		O-RING.....	1
8		GUIDE RING.....	1
9		BODY ASSEMBLY.....	1
10	96112579	KIT, SEAL, WING CYLINDER MBR (INCLUDES ITEMS #3, 5-7).....	1

NOTE: The Part Descriptions above use common industry standard abbreviations in the naming conventions.
 Reference "PART DESCRIPTION ABBREVIATIONS" on page 3 for a list of abbreviations used in this manual.

PROCONTROL SYSTEM WIRING

With S.N. Before MBR100499

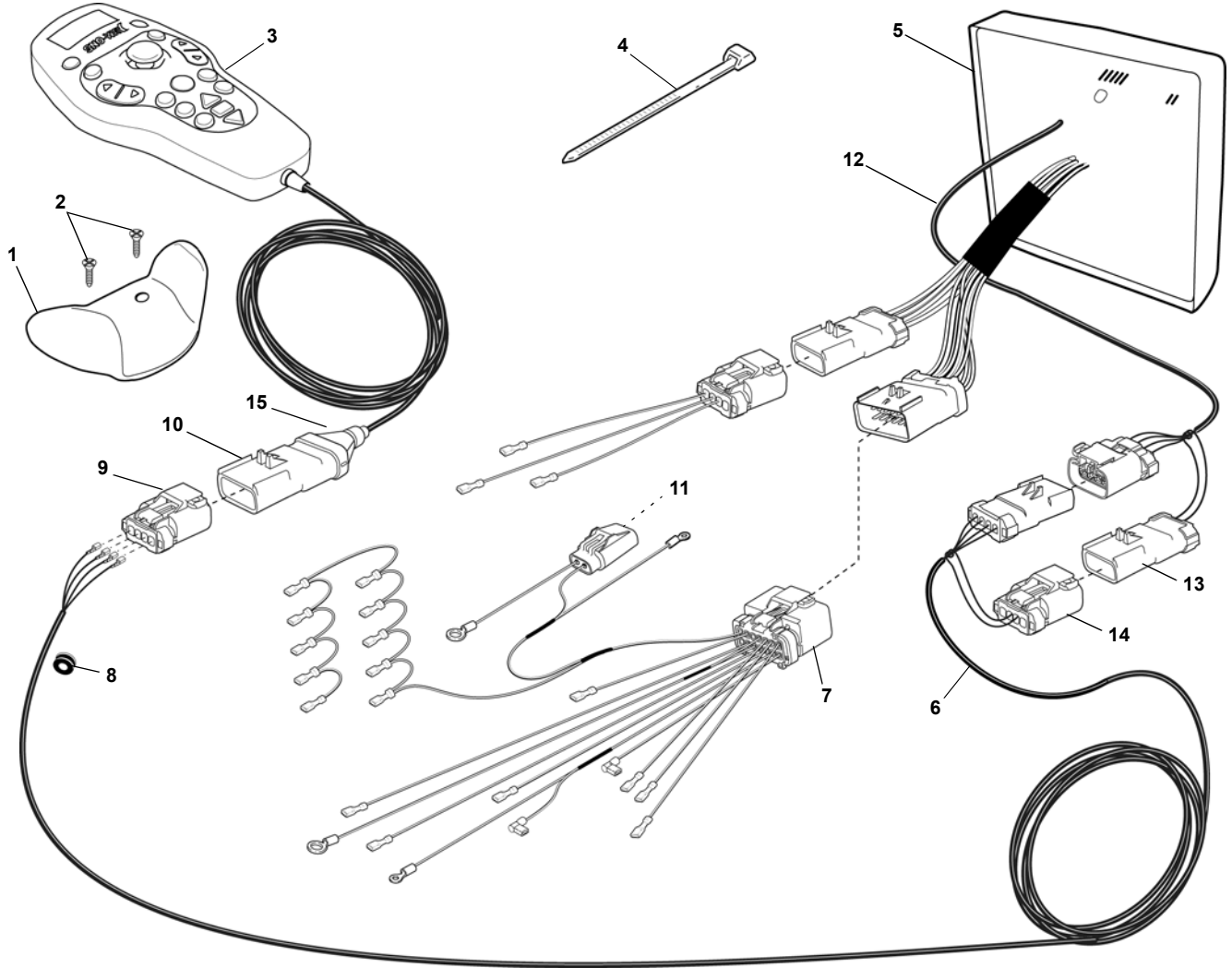


ITEM	PART NO.	DESCRIPTION	QTY
1	96112259	CLIP, DASH MOUNT.....	1
2	98100463	SCREW.....	2
3	96112246	TRANSMITTER, WIRED.....	1
4	96001227	STRAP, PLASTIC TIE.....	5
5	96112266	MODULE, RECEIVER, WIRED, UNIVERSAL.....	1
6	96112224	HARNESS, VEHICLE.....	1
7	96112191	HARNESS, CONTROL, SOLENOID, MBR (REFERENCE ONLY - USE P/N 96112913).....	1
8	96112229	HARNESS, POWER UNIT, 4 WAY.....	1
9	96112419	RUBBER GROMMET.....	1
10	96112300	CONNECTOR, FEMALE 4 WAY APEX.....	1
	96108662	TERMINAL, FEMALE, 18/20 AWG (NOT SHOWN).....	1
11	96112301	CONNECTOR, MALE 4 WAY APEX.....	1
	96108661	TERMINAL, MALE, 18/22 AWG (NOT SHOWN).....	1
12	96112496	FUSE, 10 AMP (NOT SHOWN - IN HOLDER).....	1
13	96112931	KIT, MODULE HARNESS REPAIR, PROCONTROL WIRED (NOT SHOWN)	1

NOTE: The Part Descriptions above use common industry standard abbreviations in the naming conventions.
 Reference "PART DESCRIPTION ABBREVIATIONS" on page 3 for a list of abbreviations used in this manual.

PROCONTROL SYSTEM WIRING

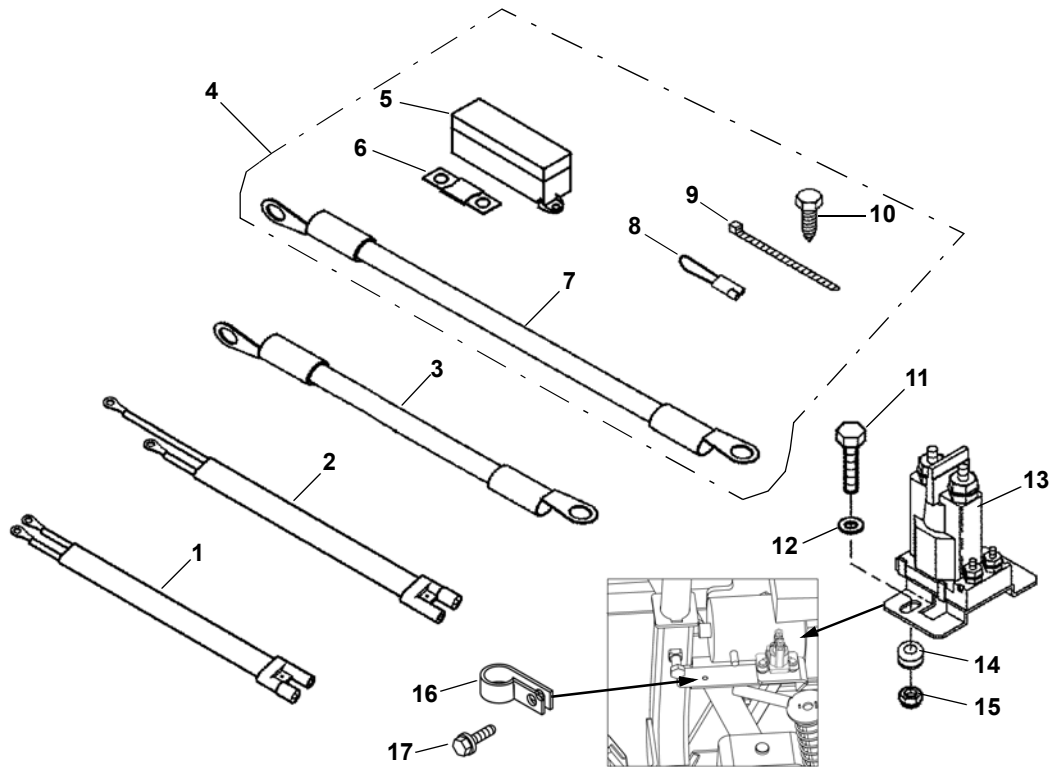
With S.N. After MBR100500



ITEM	PART NO.	DESCRIPTION	QTY
1	96112259	CLIP, DASH MOUNT	1
2	98100463	SCREW	2
3	96112246	TRANSMITTER, WIRED	1
	96112244	TRANSMITTER, WIRELESS.....	1
4	96001227	STRAP, PLASTIC TIE.....	5
5	96112915	MODULE, RECEIVER, WIRED, UNIVERSAL.....	1
	96112260	MODULE, RECEIVER, WIRELESS, UNIVERSAL	1
6	96112913	HARNESS, VEHICLE	1
7	96112191	HARNESS, CONTROL, SOLENOID, MBR	1
8	96112419	RUBBER GROMMET	1
9	96112300	CONNECTOR, FEMALE 4 WAY APEX.....	1
	96108662	TERMINAL, FEMALE, 18/20 AWG (NOT SHOWN)	1
10	96112301	CONNECTOR, MALE 4 WAY APEX	1
	96108661	TERMINAL, MALE, 18/22 AWG (NOT SHOWN)	1
11	96112496	FUSE, 10 AMP (NOT SHOWN - IN HOLDER).....	1
12	96112931	KIT, MODULE HARNESS REPAIR, PROCONTROL WIRED (NOT SHOWN).....	1
13	96112872	CAP, STORAGE, MALE.....	1
14	96112871	CAP, STORAGE, FEMALE.....	1
15	96112840	STRAIN RELIEF.....	1

NOTE: The Part Descriptions above use common industry standard abbreviations in the naming conventions.
 Reference "PART DESCRIPTION ABBREVIATIONS" on page 3 for a list of abbreviations used in this manual.

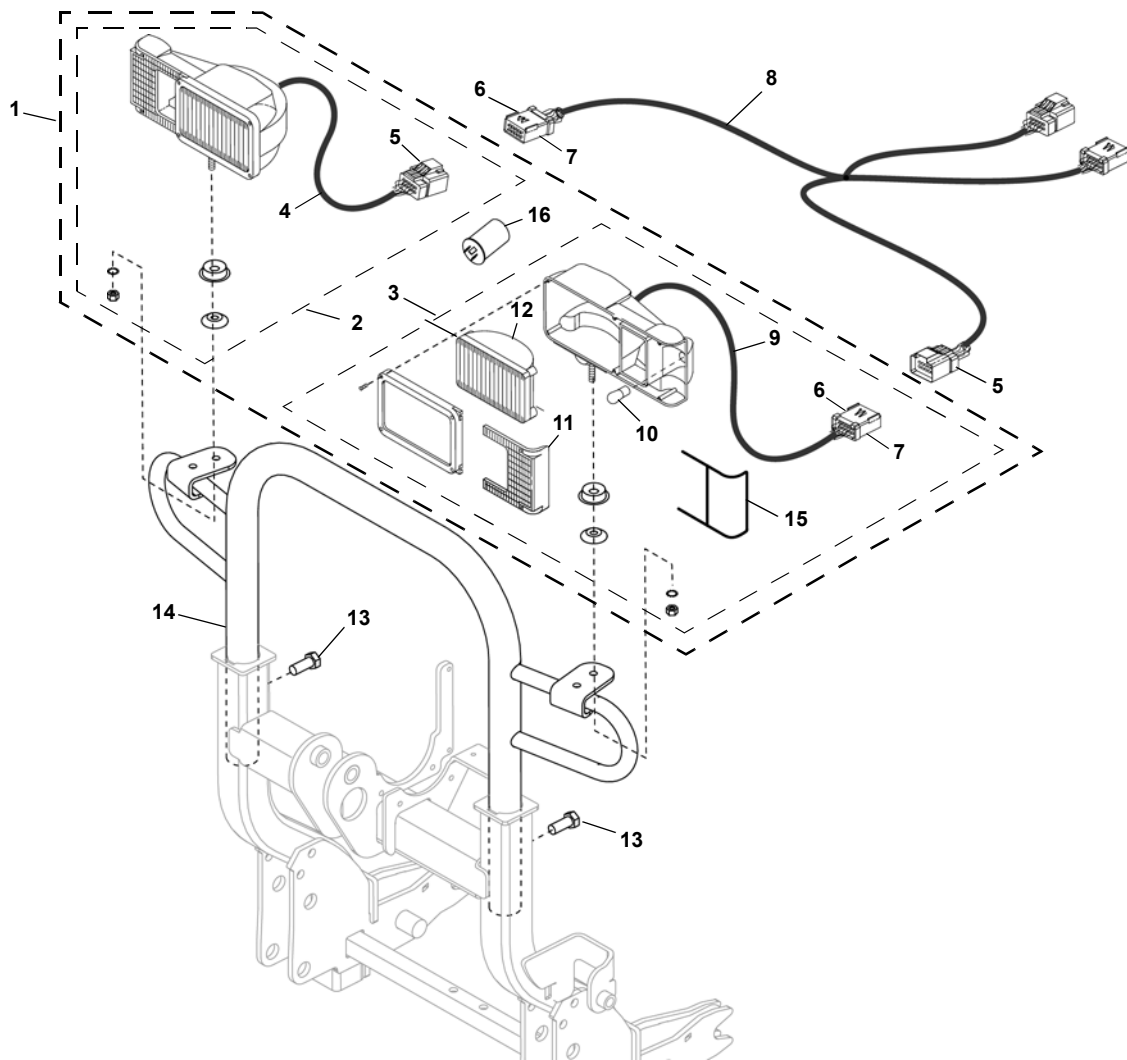
POWER PACK WIRING



ITEM	PART NO.	DESCRIPTION	QTY
1	96104221	HARNESS, BATTERY POWER.....	1
2	96104230	HARNESS, PLOW POWER	1
3	96105273	HARNESS, SOLENOID	1
4	96105167	BAG, POWER HARNESS PARTS	1
5	96109143	FUSE HOLDER	1
6	96109142	FUSE, 250 AMP	1
7	96102891	CABLE, POWER	2
8	96105082	CAP, PROTECTIVE.....	2
9	96001227	STRAP, TIE PLASTIC.....	2
10	98100037	SCREW, SELF TAPPING, #10-16 x 1"	4
11	98100391	CAPSCREW, HEX, 1/4"-20 x 7/8"	2
12	98100254	WASHER, FLAT, 1/4".....	2
13	96002086	SWITCH, SOLENOID	1
14	96105282	GROMMET, 3/8" ID.....	2
15	98100255	NUT, HEX HEAD NYLOCK, 1/4"-20	2
16	96101891	CLAMP, TUBE, VINYL COATED	1
17	98100386	HWH 5/16 X 1-1/4 TE X 3.....	1

NOTE: The Part Descriptions above use common industry standard abbreviations in the naming conventions.
Reference "PART DESCRIPTION ABBREVIATIONS" on page 3 for a list of abbreviations used in this manual.

AUXILIARY LIGHTING



ITEM	PART NO.	DESCRIPTION	QTY
1	96107893	KIT, LAMP, EIS	1
2	96107984	LIGHT, ASSEMBLY, RH, EIS.....	1
3	96107983	LIGHT, ASSEMBLY, LH, EIS	1
4	96107986	HARNESS, PLOW LIGHT, RH, EIS	1
5	96108117	CONNECTOR, FEMALE	2
6	96108116	CONNECTOR, MALE	2
7	96108600	CLIP, SECONDARY LOCK	2
8	96107894	HARNESS, MAIN LIGHT, EIS*.....	1
9	96107985	HARNESS, PLOW LIGHT, LH, EIS	2
10	96003060	LAMP, PARK & TURN	2
11	96106692	LENS, TURN SIGNAL.....	2
12	96100514	LAMP, SEALED BEAM.....	2
13	98009115	HHCS, .62-11 X 1.50 GR 8 ZP/DT	2
14	96110440	WELDMENT, ULB	1
15	96106693	GASKET, TURN SIGNAL	2
16	96003010	FLASHER.....	1

NOTE: *Adapter required - See Application Guide.

The Part Descriptions above use common industry standard abbreviations in the naming conventions.

Reference "PART DESCRIPTION ABBREVIATIONS" on page 3 for a list of abbreviations used in this manual.

NUMERICAL INDEX

PART NO.	PAGE	ITEM	PART NO.	PAGE	ITEM	PART NO.	PAGE	ITEM
96001227	13	4	96108325	10	15	96112301	13	11
	14	4	96108342	10	16		14	10
	15	9	96108600	16	7	96112307	6	19
96001392	4	5	96108661	13	11	96112319	8	11
96002086	15	13		14	10	96112321	8	9
96003010	16	16	96108662	13	10	96112323	7	1
96003060	16	10		14	9	96112330	6	9
96100000	4	24	96109142	15	6	96112336	4	2
	8	13	96109143	15	5	96112352	5	1
96100001	4	10	96110192	4	21	96112410	10	20
	5	12	96110245	3	5	96112417	6	24
	8	8	96110344	3	3	96112419	13	9
96100514	16	12	96110440	16	14		14	8
96101465	6	14	96110881	5	7	96112436	7	0
96101891	15	16	96111171	10	12	96112439	4	19
96101976	10	21	96111240	6	8	96112496	13	12
96102891	15	7	96111245	6	4		14	11
96104221	15	1	96111315	3	7	96112500	4	30
96104230	15	2	96111458	6	21		8	18
96105082	15	8	96111591	5	5	96112553	10	6
96105167	15	4	96111800	3	6	96112556	10	17
96105231	10	37		4	1	96112558	10	29
96105233	10	22	96111957	8	1	96112576	11	4
96105234	10	2	96111960	4	11	96112577	11	10
96105237	10	19	96112009	7	8	96112578	12	4
96105238	10	4	96112011	7	14	96112579	12	10
96105244	10	18	96112012	7	2	96112584	10	14
96105245	10	30	96112013	7	13	96112603	6	26
96105250	10	8	96112070	5	11	96112604	6	25
96105251	10	9		8	7	96112611	4	25
96105253	10	5		12	1		8	14
96105273	15	3	96112077	6	11	96112627	4	26
96105275	10	11	96112151	8	2	96112692	8	17
96105282	15	14	96112166	7	15	96112795	6	28
96105313	10	26	96112171	7	6	96112840	14	15
96105314	10	32	96112175	7	10	96112871	14	14
96105315	10	34	96112180	6	5	96112872	14	13
96105316	10	33	96112185	4	7	96112893	8	10
96105317	10	27		8	12	96112913	14	6
96105732	10	3		11	1	96112915	14	5
96105735	10	35	96112191	13	7	96112923	8	16
96105737	10	31		14	7	96112924	8	15
96106102	10	10	96112224	13	6	96112931	13	13
96106692	16	11	96112229	13	8		14	12
96106693	16	15	96112244	14	3	96112948	10	7
96107893	16	1	96112246	13	3	96113326	3	14
96107894	16	8		14	3	96113327	3	15
96107983	16	3	96112259	13	1	96118214	3	16
96107984	16	2		14	1	97101524	3	17
96107985	16	9	96112260	14	5	98009003	3	9
96107986	16	4	96112266	13	5		4	8
96108116	16	6	96112292	6	23	98009005	4	15
96108117	16	5	96112300	13	10	98009010	3	1
96108324	10	13		14	9		7	3

NUMERICAL INDEX

PART NO.	PAGE	ITEM
98009013	3	4
	6	12
	7	4
98009017	7	5
98009023	4	17
98009027	6	7
98009030	3	18
	4	9
	5	6
98009037	4	4
98009038	6	1
98009043	6	10
98009053	6	15
98009069	6	2
98009078	4	3
	5	9
98009082	8	6
98009085	4	23
	5	4
98009099	3	8
98009115	16	13
98009150	4	20
	8	5
98009230	4	18
	8	4
98009259	6	18
98100006	4	12
98100007	5	10
98100037	15	10
98100040	5	3
98100095	6	20
98100176	3	2
98100254	15	12
98100255	6	6
	15	15
98100294	4	13
98100337	6	22
98100386	4	31
	8	19
	15	17
98100391	15	11
98100393	7	7
98100395	7	9
98100433	4	14
98100439	6	3
98100441	4	22
	5	2
98100447	6	27
98100448	6	13
98100450	6	17
98100451	6	16
98100452	4	16
98100456	8	3
98100457	5	8

PART NO.	PAGE	ITEM
98100462	7	11
98100463	13	2
	14	2
98100464	7	12
98100468	4	6
98100470	3	10

PART NO.	PAGE	ITEM
----------	------	------

SNO-WAY[®] INTERNATIONAL, INC.

SNO-WAY[®]
SNOW & ICE CONTROL EQUIPMENT

Hartford, WI 53027 USA
Website: www.snoway.com
©2021 Sno-Way[®] International