

SNO-WAY E-Z FIT SNOW DEFLECTOR (P/N 99100999) INSTALLATION INSTRUCTIONS FOR 26V, 29RVHD, 29VHD SERIES PLOWS



1. THINK SAFETY, ALWAYS WEAR SAFETY GLASSES WHEN PERFORMING THE OPERATIONS PRESCRIBED IN THESE INSTRUCTIONS
2. READ ALL INSTRUCTIONS CAREFULLY BEFORE ATTEMPTING INSTALLATION



1. For 29VHD or Mega Blade V-Wing Plows skip to step 11.

2. For 29RVHD V-Wing Plows skip to step 9.

3. For 26V lay both deflectors (#1) upside down end to end on the floor.

4. Cut out 26V templet and fold on marked lines. (See templet part #97102186.)

5. Lay templet onto 1st deflector as shown in Figure 1. Draw a line along edge of templet.



Figure 1

6. Reverse folds and lay templet onto 2nd deflector as shown in Figure 2. Draw a line along edge of templet.

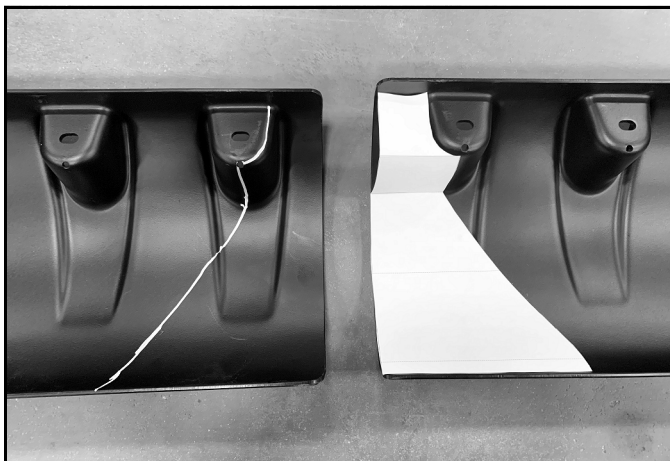


Figure 2

7. Lines should appear as in Figure 3. Cut along lines with a reciprocating saw. File edges smooth.

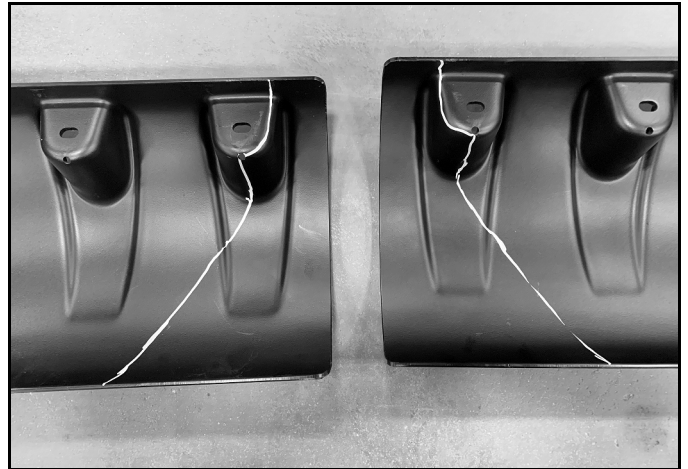


Figure 3

8. Trim end opposite of cut from step 7 to fit around plow marker. Proceed to step 11.

9. For 29RVHD lay both deflectors (#1) upside down end to end on the floor.

10. Measure and cut right and left deflector as needed.

- **Passenger Side** (See Figure 4): Measure 5 in. on top edge and 10.1 in. on the bottom edge of deflector, and cut off the inner end (angle cut) of the deflector. Measure 4 in. on side edge and 9 in. on the bottom edge of deflector and mark a straight line. Cut along lines with a reciprocating saw to cut off outer end of the deflector. File edges smooth.

NOTE: For Optional Blade Guide Cutout Relief: Measure and mark locations for 7.5 in., 4.5 in., and 3.5 in., with a R1.0 radius as shown in Figure 4. Cut along lines with a reciprocating saw to cut off outer end of the deflector. File edges smooth.

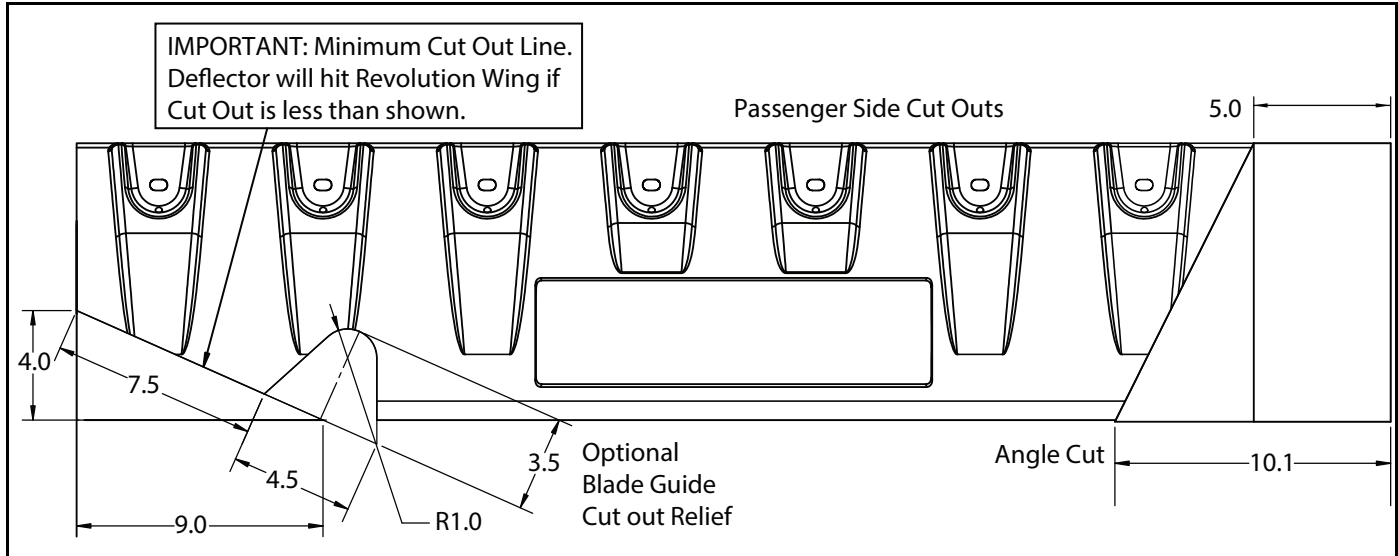


Figure 4

- **Driver Side**: Repeat the angle cut for the inner end cut and outer end cut for driver side deflector (See Figure 5).

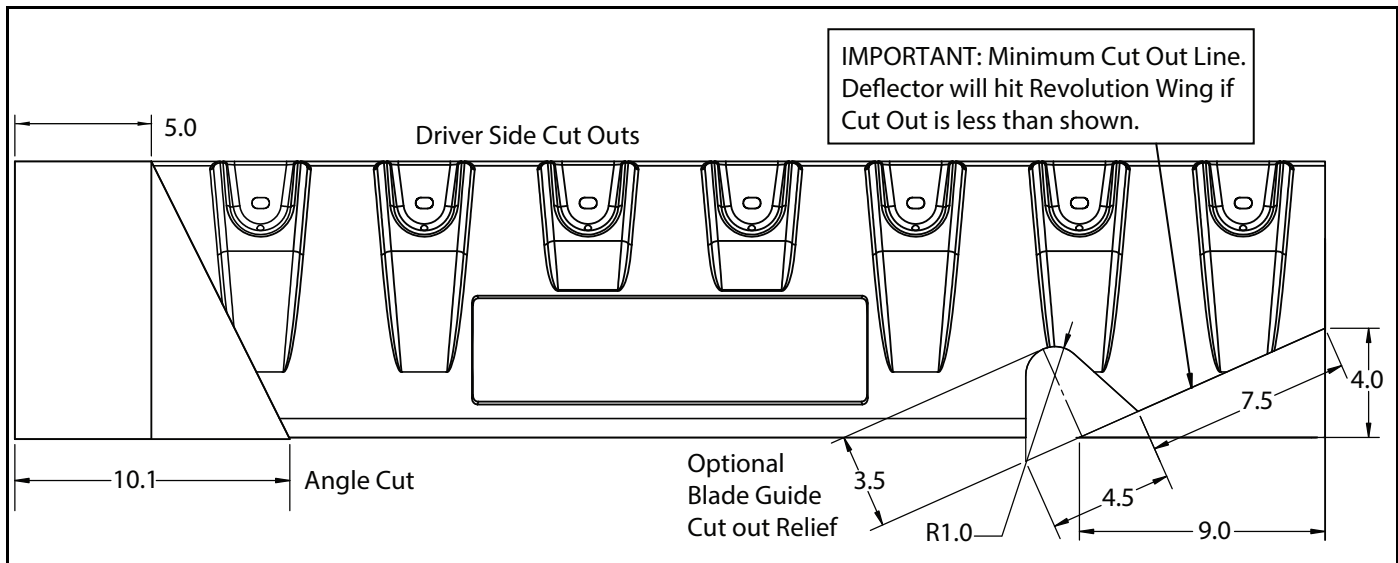


Figure 5

11. Lower the snow plow blade to a flat, level surface. To prevent accidental operation of the blade, disconnect power connection from vehicle.

12. Position the DS Snow Deflector section (#1) to the outside top edge of the DS V-Blade wing. Clamp the deflector flat against the top of blade using a padded bus bar or spring clamp. Install (1) 1/4"-20 x 1-1/4" Hex Head Cap Screw (#4) and (1) 1/4" ID x 1-1/2" OD x 1/8" Thick Fender Washer (#5) through the hole in the deflector closest to the end of the blade. Loosely install (1) 1/4" ID x 1-1/2" OD x 1/16" Thick Fender Washer (#6) and (1) 1/4" x 20 Locknut (#7) on the cap screw. (See Figure 6.)

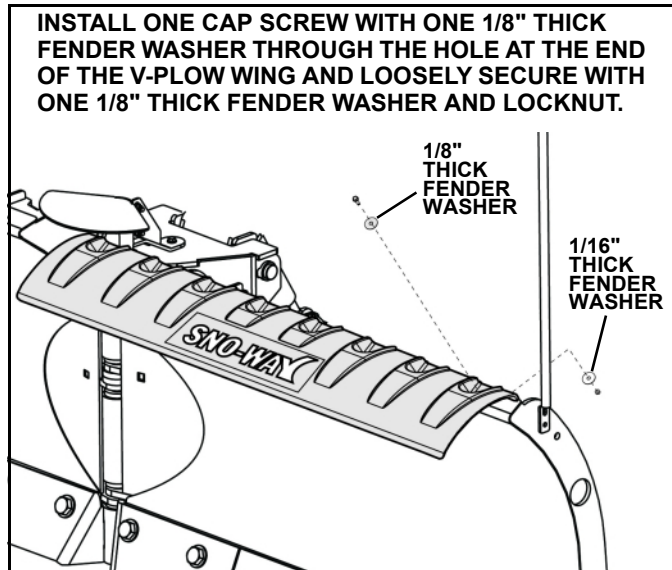


Figure 6

13. Complete the DS Snow Deflector section (#1) installation on the DS V-Blade wing by installing (7) additional 1/4"-20 x 1-1/4" Hex Head Cap Screws (#4), (7) 1/4" ID x 1-1/2" OD x 1/8" Thick Fender Washers (#5), (7) 1/4" ID x 1-1/2" OD x 1/16" Thick Fender Washers (#6), and (7) 1/4" x 20 Locknuts (#7) (going towards the center of the blade). (See Figure 7.)

14. Tighten all cap screws securely, but do not over-tighten.

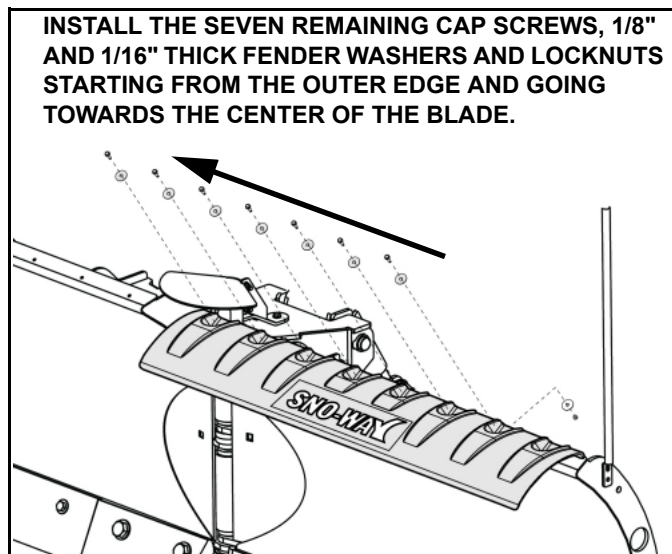


Figure 7

IMPORTANT: Over-tightening the cap screws will result in damage to the deflector. Recheck all cap screws to ensure that they have NOT been over-tightened.

15. 29RVHD ONLY:

- If the optional blade guide cut out relief is used, extend outer wing and verify correct installation of deflector. (See Figure 8.)

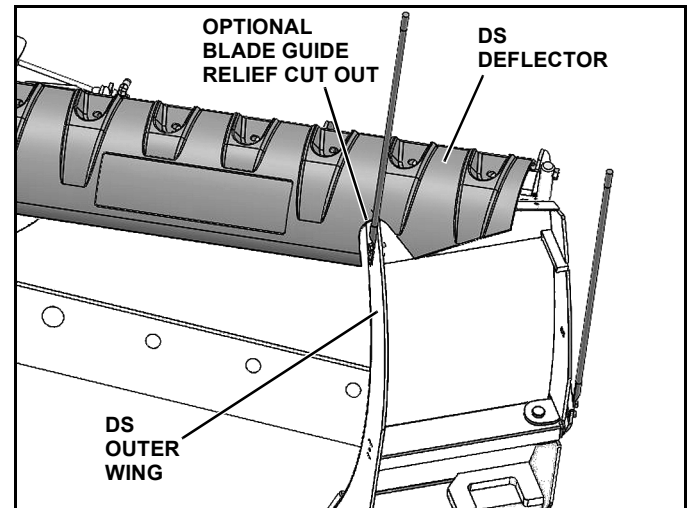


Figure 8 (Driver Side Shown)

- If the optional blade guide cut out relief was not used, remove and reposition the outer wing marker. (See Figure 9.)

NOTE: Relocate outer wing marker to the lower part of the revolution wing. (See Figure 9.) This will remove interference with the marker and the deflector.

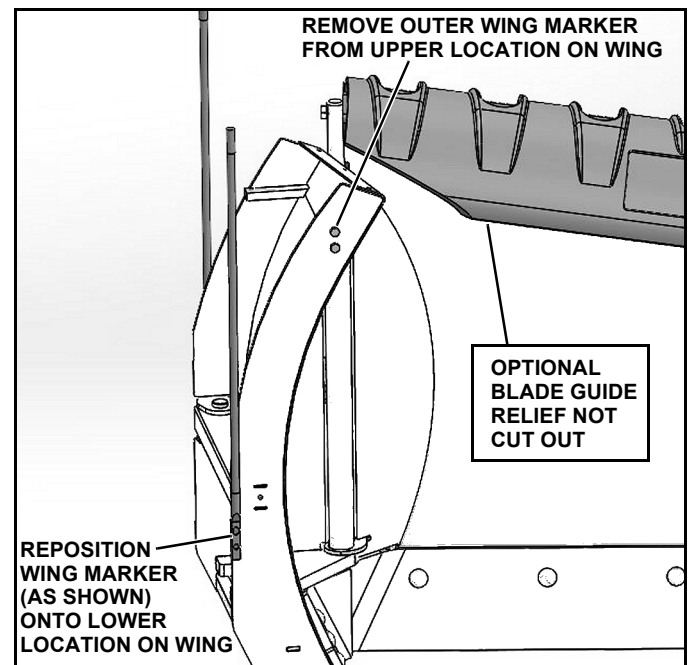
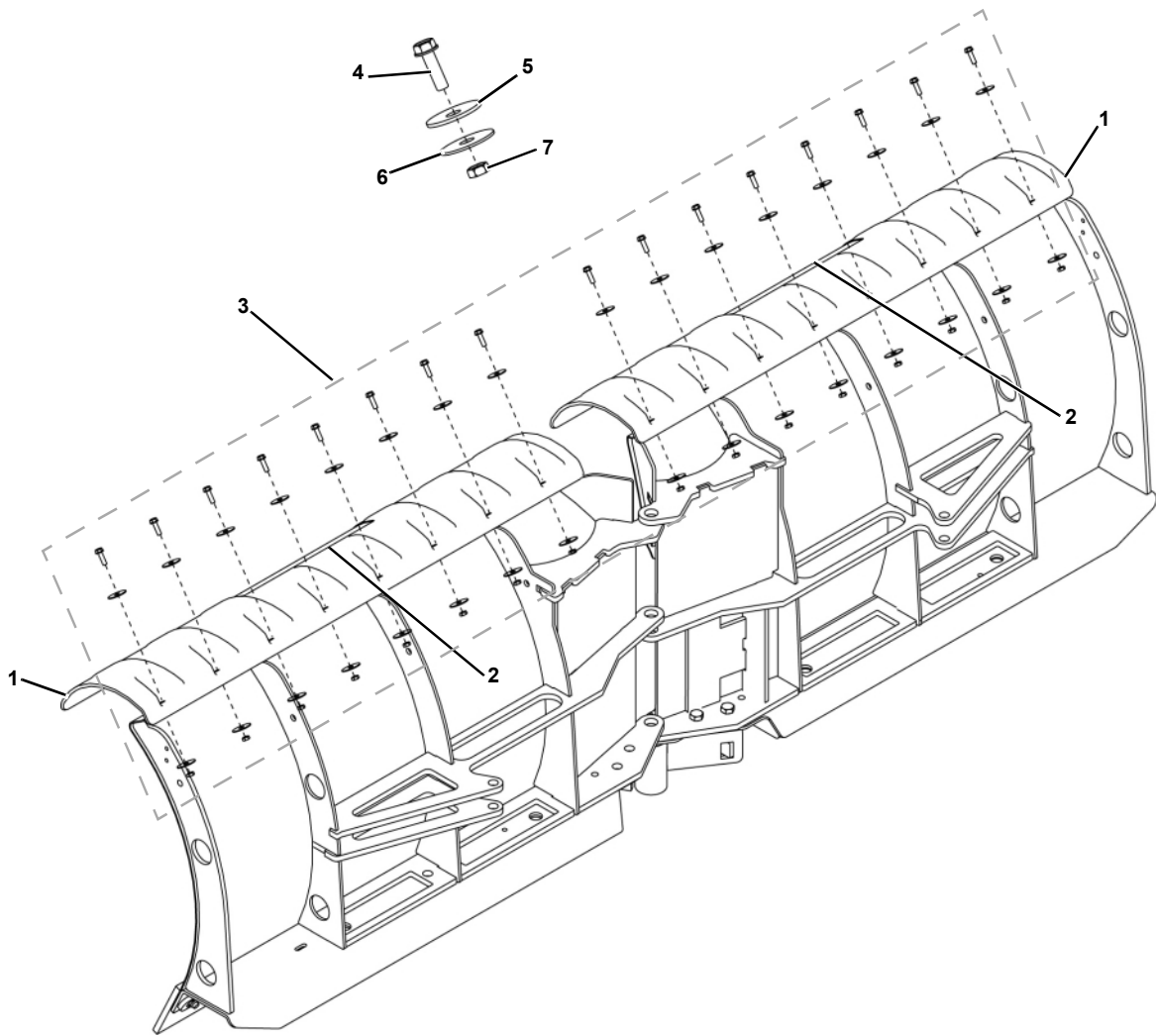


Figure 9 (Passenger Side Shown)

16. Repeat Steps 12 through 15 to install the PS V-Wing Snow Deflector (#1).

PARTS LIST



ITEM	PART NO.	DESCRIPTION	QTY.
1		Sno-Way E-Z Snow Deflector	2
2		Decal, Sno-Way Deflector	2
3	96112412	Hardware Kit, Deflector MBV (includes 4 through 7)	1
4		HHCS, 1/4"-20 x 1-1/4"	16
5		Fender Washer, 1/4" ID x 1-1/2" OD x 1/8" Thick	16
6		Fender Washer, 1/4" ID x 1-1/2" OD x 1/16" Thick	16
7		LN, 1/4" x 20	16

SNO-WAY® INTERNATIONAL, INC.



Hartford, WI 53027 USA
Website: www.snoway.com
©2022 Sno-Way® International