

SNO-WAY®

SNOW & ICE CONTROL EQUIPMENT

SERVICE PARTS MANUAL

MEGABLADE™ REVOLUTION™ SERIES SNOW PLOW

WITH SERIAL NUMBERS AFTER
MBR200000

Sno-Way®, Down Pressure® and EIS® are registered trademarks of Sno-Way International, Inc.
ProControl™, MegaBlade™, V-Wing™, E-Z Switch™, Revolution™, MaxAdjust™, SpeedLock™, and QuickJack™
are trademarks of Sno-Way International, Inc.

©2021 Sno-Way® International

97101601D

TABLE OF CONTENTS

| | Page |
|--|------|
| PARTS LIST INTRODUCTION | 2 |
| USING THIS PARTS LIST | 2 |
| PART DESCRIPTION ABBREVIATIONS | 2 |
| BLADE | 3 |
| A-FRAME/SPRINGS | 4 |
| WING FOLD MECHANISM | 5 |
| LOWER LIGHT BAR ASSEMBLY (LLLB) | 6 |
| QUICKJACK™ STAND | 7 |
| HYDRAULIC SYSTEM | 8 |
| HYDRAULIC POWER UNIT | 9 |
| PROCONTROL™ SYSTEM WIRING After S.N. MBR200000 | 11 |
| POWER PACK WIRING | 12 |
| AUXILIARY LIGHTING | 13 |
| NUMERICAL INDEX | 15 |

PARTS LIST INTRODUCTION

Our dealership network stands by to provide you with any assistance you may require, including genuine Sno-Way service parts. All parts should be obtained from or ordered through your dealer. Give complete information about the part(s) at time of order, and include the Model and applicable Serial Numbers of your machine.

NOTE: The Model and all Serial number information should be recorded on page two of your Installation and Owner's Manual for ease of reference. The location of these numbers on the machine is detailed in the manual as well.

"Right" and "Left" are determined from a position sitting on the Operators seat of the vehicle.

We reserve the right to make changes or improvements in the design or construction of any part without incurring the

USING THIS PARTS LIST

A sample parts listing is shown below:

- The **"ITEM"** in column one is the number used in the corresponding illustration.
- The **"PART NO."** in column two is the number used to order replacement parts. If a number does not appear in the column the part is only available by ordering the complete assembly.
- The **"DESCRIPTION"** in column three is the name of the replacement part. At times the name may be indented, this means that the indented parts are part of the preceding assembly.
- The **"QTY."** in column four is the quantity needed to service the assembly illustrated, not the complete product.

| ITEM | PART NO. | DESCRIPTION | QTY. |
|------|----------|---------------------------------|------|
| 1 | 96100083 | O-ring | 1 |
| 2 | 96001529 | Elbow | 3 |
| 3 | 98100036 | Capscrew, Hex.,3/8"-16NC x 7/8" | 9 |

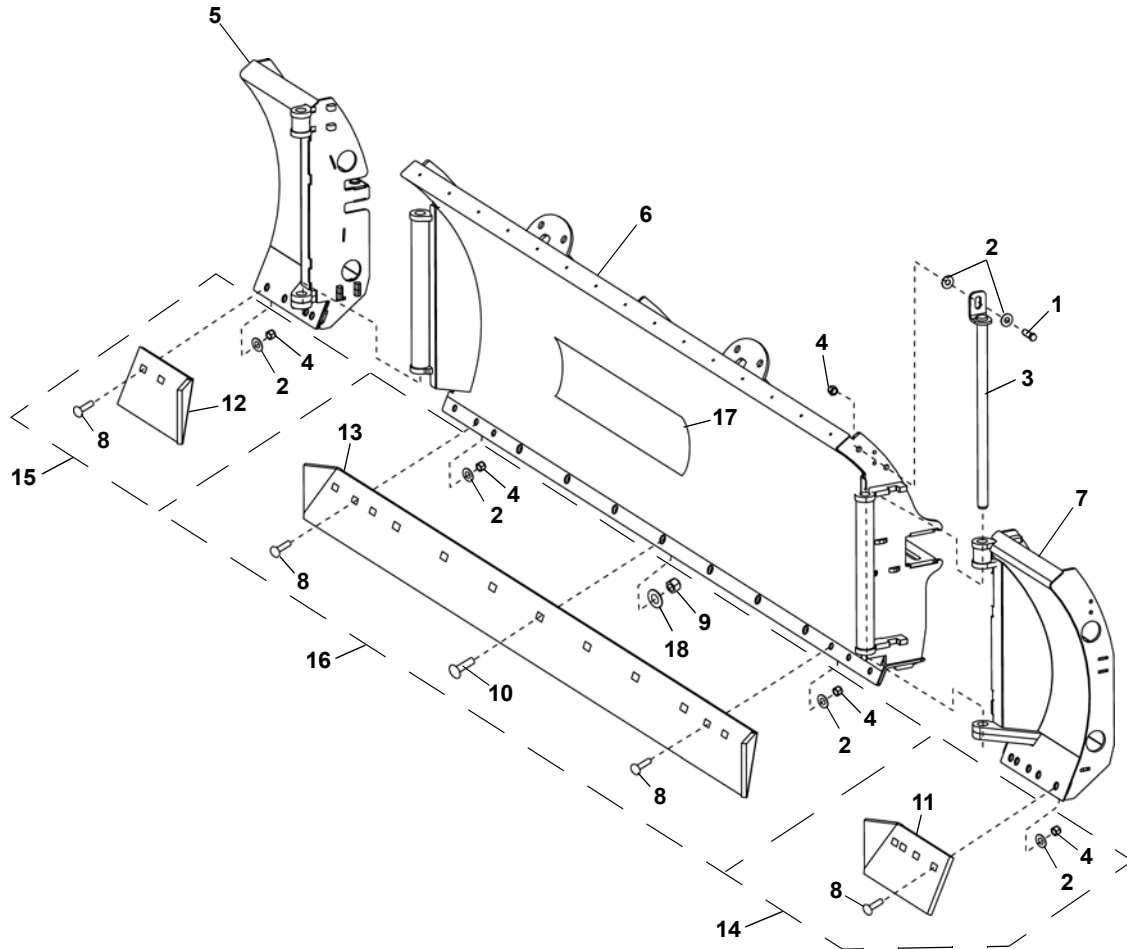
PART DESCRIPTION ABBREVIATIONS

Our Part Descriptions use common industry standard abbreviations in the naming conventions for many individual items. The list below details the abbreviations commonly used throughout this manual. If a specific abbreviation is not listed, contact any Sno-Way Dealer for clarification.

| ABBREV. | DESCRIPTION |
|---------|--------------------------|
| BRKT | BRACKET |
| CB | CARRIAGE BOLT |
| CLP | CLEVIS PIN |
| COTP | COTTER PIN |
| DP | DOWN PRESSURE |
| DS | DRIVER SIDE |
| EB | EYE BOLT |
| GR | GRADE |
| HDWE | HARDWARE |
| HHCS | HEX HEAD CAP SCREW |
| HN | HEX NUT |
| HNILN | HEX NYLON INSERT LOCKNUT |

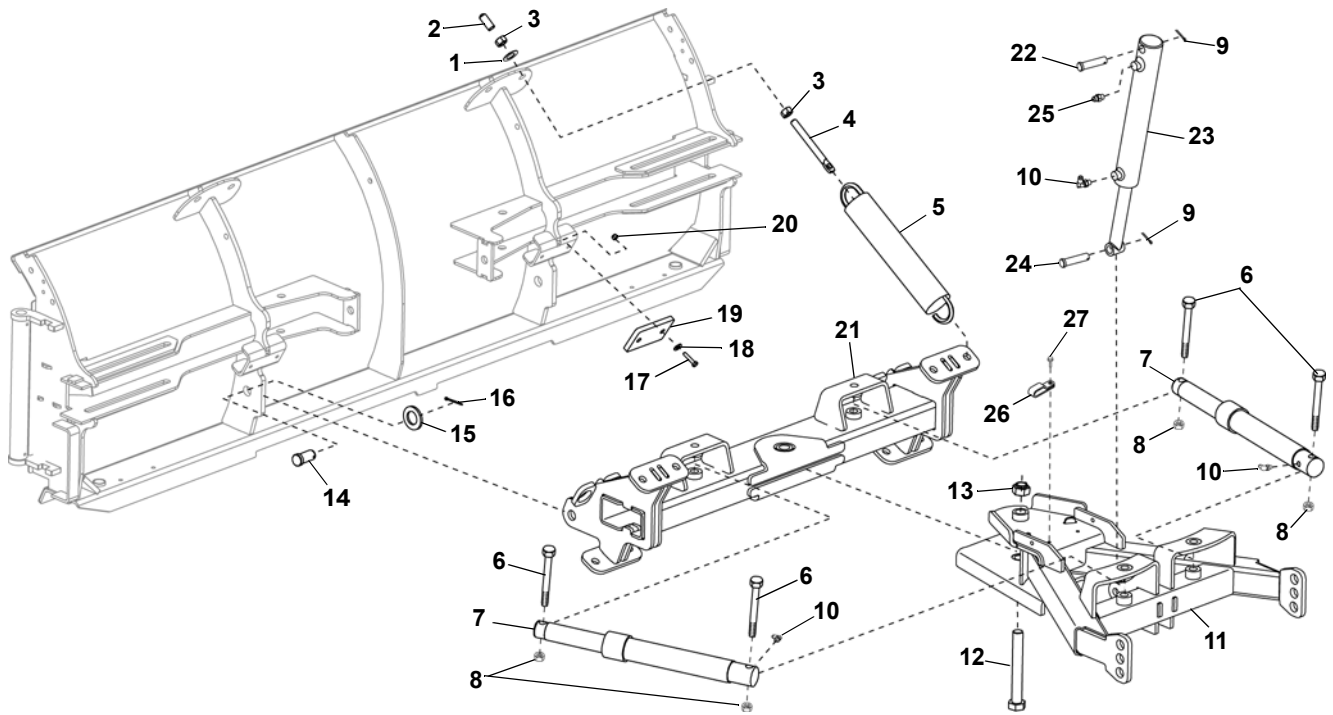
| ABBREV. | DESCRIPTION |
|---------|-----------------------|
| HW | HARD WIRED |
| HWH | HEX WASHER HEAD |
| LN | LOCK NUT |
| LW | HELICAL LOCK WASHER |
| PS | PASSENGER SIDE |
| PW | PLAIN FLAT WASHER |
| SHCS | SOCKET HEAD CAP SCREW |
| SLT | SLOTTED |
| SS | STAINLESS STEEL |
| ST | SELF-THREADING |
| UB | U-BOLT |
| WL | WIRELESS |

BLADE



| ITEM | PART NO. | DESCRIPTION | QTY |
|------|----------|--|-----|
| 1 | 98009010 | HHCS, 1/2"-13 X 1-1/2"..... | 2 |
| 2 | 98100176 | PW, 1/2"..... | 18 |
| 3 | 96110344 | WELDMENT, PIN, MBR..... | 2 |
| 4 | 98009013 | LN, 1/2"-13, NYLON INSERT..... | 16 |
| 5 | 96112838 | WELDMENT, WING, MBR, PS..... | 1 |
| 6 | | WELDMENT, MAIN BLADE, MBR, 96"..... | 1 |
| 7 | 96112839 | WELDMENT, WING, MBR, DS..... | 1 |
| 8 | 98009099 | CB, 1/2"-13 X 2"..... | 14 |
| 9 | 98009003 | LN, 3/4"-10, NYLON INSERT..... | 7 |
| 10 | 98100470 | CB, 3/4"-10 X 2-1/2"..... | 7 |
| 11 | | WEARSTRIP, MBR, DS..... | 1 |
| 12 | | WEARSTRIP, MBR, PS..... | 1 |
| 13 | | WEARSTRIP, STEEL, MAIN, MBR..... | 1 |
| 14 | 96113326 | KIT, WEARSTRIP, MBR, DS (INCLUDES ITEMS #2, 4 & 8)..... | 1 |
| 15 | 96113327 | KIT, WEARSTRIP, MBR, PS (INCLUDES ITEMS #2, 4 & 8)..... | 1 |
| 16 | 96118214 | KIT, WEARSTRIP, MBR, MAIN (INCLUDES ITEMS #2, 4, 8, 9, 10 & 18)..... | 1 |
| 17 | 97101524 | DECAL, MEGA BLADE..... | 1 |
| 18 | 98009030 | PW, 3/4"..... | 7 |

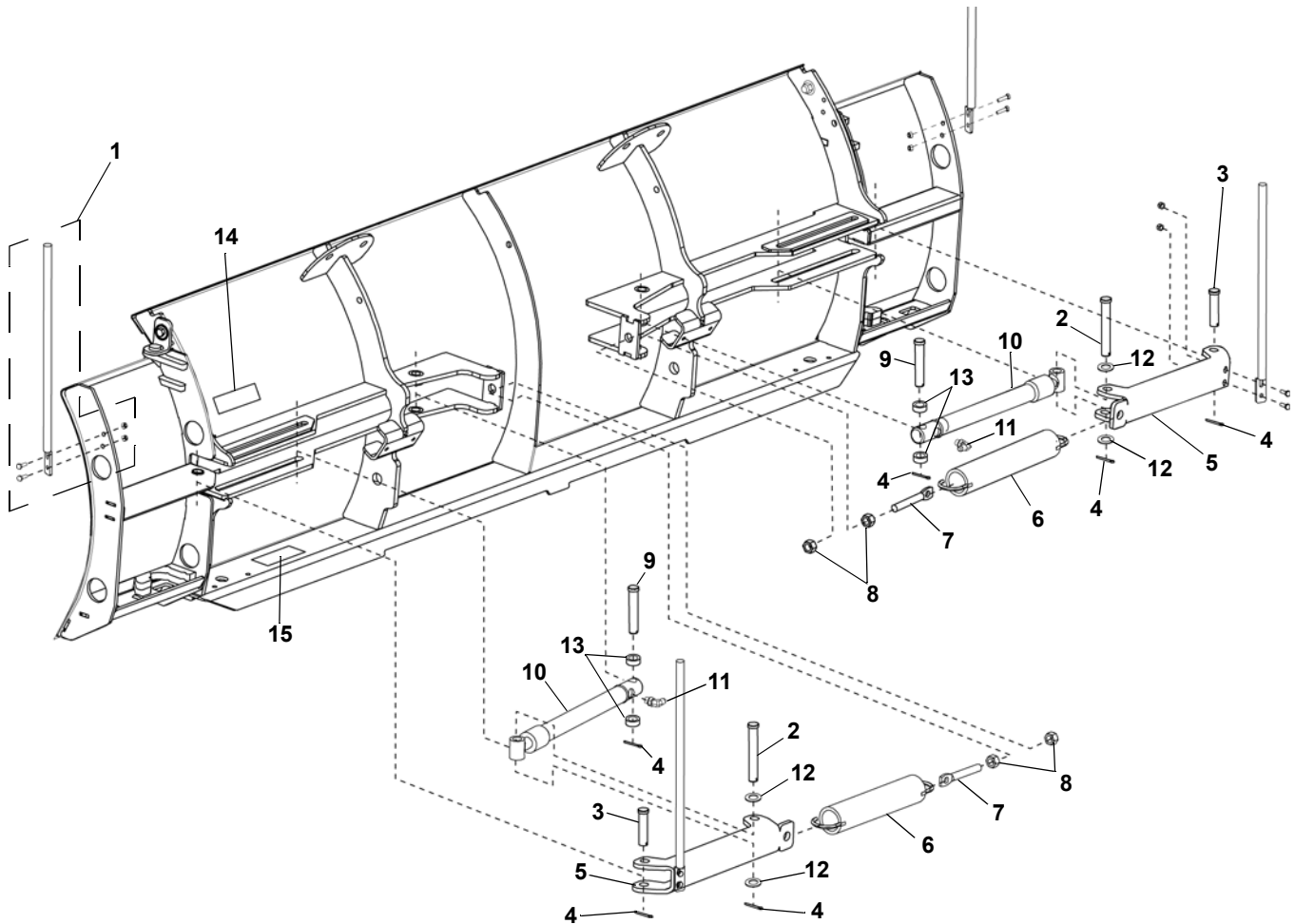
A-FRAME/SPRINGS



| ITEM | PART NO. | DESCRIPTION | QTY |
|------|----------|---|-----|
| 1 | 98009039 | PW, 5/8", TYPE B | 4 |
| 2 | 96112336 | PROTECTIVE CAP, EYE BOLT | 4 |
| 3 | 98009078 | HN, 5/8"-11 | 8 |
| 4 | 98009037 | EB, 5/8"-11 X 6.0" | 4 |
| 5 | 96001392 | SPRING, TRIP | 4 |
| 6 | 98100468 | HHCS, 3/4"-10 X 8..... | 4 |
| 7 | 96112185 | CYLINDER, SWING, 1-3/4" X 11", MBR | 2 |
| 8 | 98009003 | LN, 3/4"-10, NYLON INSERT | 4 |
| 9 | 98009085 | COTP, 5/32" X 1-1/2" | 2 |
| 10 | 96100001 | FITTING, ELBOW 90° | 3 |
| 11 | 96113052 | A-FRAME, MBR..... | 1 |
| 12 | 98100006 | HHCS, 1"-14 X 7-1/2" | 1 |
| 13 | 98100294 | HLN, 1"-14 | 1 |
| 14 | 98100433 | CLP, 1" X 2" | 2 |
| 15 | 98009005 | PW, 1", A NARROW | 2 |
| 16 | 98100452 | COTP, 5/32" X 1-3/4" | 2 |
| 17 | 98009023 | HHCS, 5/16"-18 X 1.5" | 4 |
| 18 | 98009230 | PW, 5/16", W WIDE | 4 |
| 19 | 96112439 | KIT, STOP BLADE (INCLUDES ITEMS #18, 19, 20, 21)..... | 2 |
| 20 | 98009150 | LN, 5/16"-18, NYLON INSERT..... | 4 |
| 21 | 96110192 | WELDMENT, SWING FRAME, MBC & MBR | 1 |
| 22 | 98100441 | CLP, 3/4" X 5" | 1 |
| 23 | 96112654 | CYLINDER, LIFT, 2" X 12" STROKE | 1 |
| 24 | 98100040 | PIN, CLEVIS..... | 1 |
| 25 | 96100000 | FITTING, STRAIGHT CONNECTOR..... | 1 |
| 26 | 96113011 | CLAMP, HYDRAULIC HOSE..... | 2 |
| 27 | 98100386 | HWH, 5/16" X 1-1/4" TE X 3 | 2 |

NOTE: * Not Available as a Service Part.

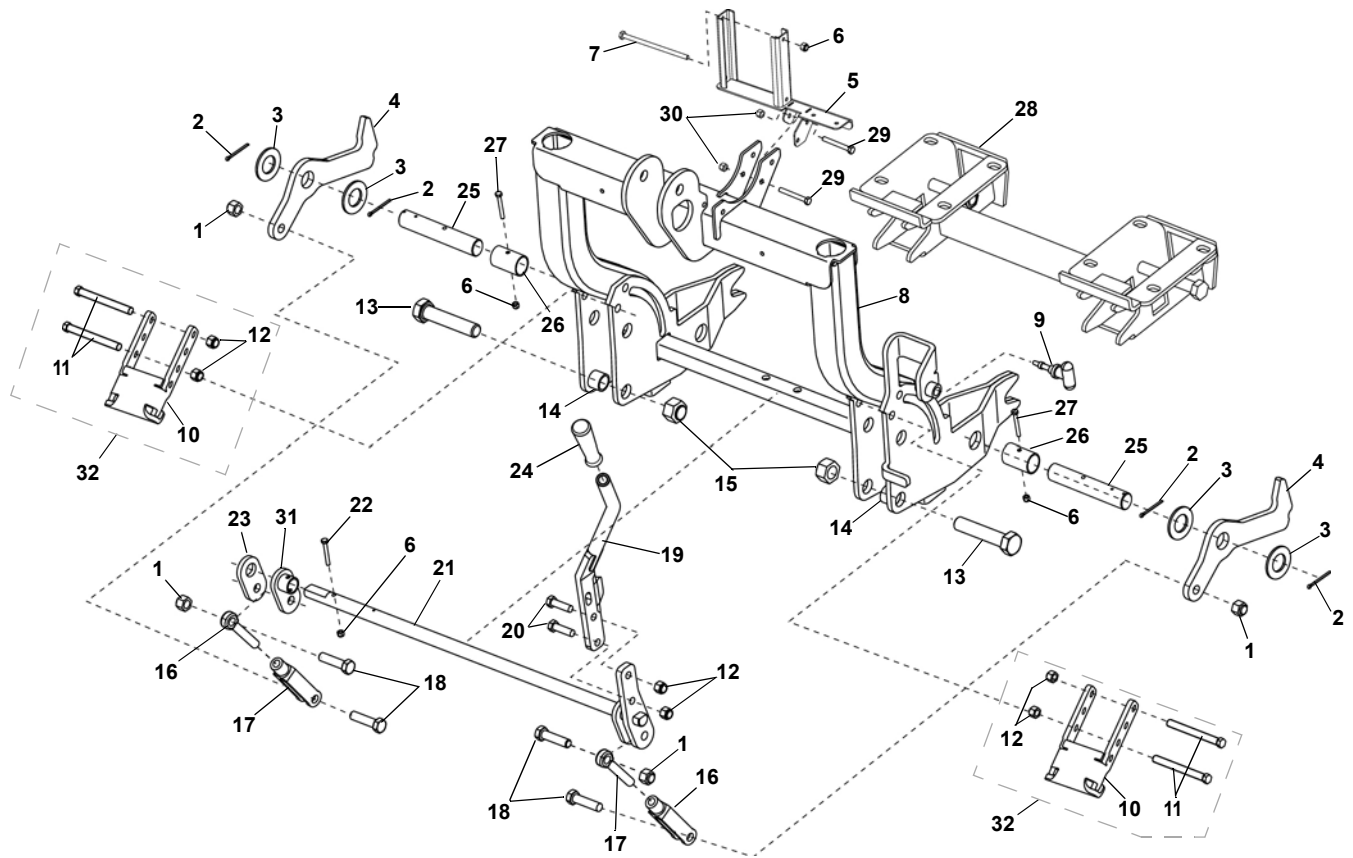
WING FOLD MECHANISM



| ITEM | PART NO. | DESCRIPTION | QTY |
|------|----------|--|-----|
| 1 | 96112352 | KIT, BLADE GUIDE-YELLOW..... | 4 |
| | | HHCS, 5/16"-18 X1" SS (INCLUDED WITH ITEM #1)..... | 2 |
| | | LN, 5/16"-18, SS (INCLUDED WITH ITEM #1)..... | 2 |
| 2 | 98100441 | CLP, 3/4" X 5"..... | 2 |
| 3 | 98100040 | CLP, 3/4" X 3"..... | 2 |
| 4 | 98009085 | COPT, 5/32" X 1-1/2"..... | 6 |
| 5 | 96111591 | LINK, CYLINDER..... | 2 |
| 6 | 96110881 | SPRING RETURN WING, MBR..... | 2 |
| 7 | 98009037 | EB., 5/8"-11 X 4-1/2"..... | 2 |
| 8 | 98009078 | HN, 5/8"-11..... | 4 |
| 9 | 98100290 | CLP, 3/4" X 6"..... | 2 |
| 10 | 96112070 | CYLINDER, WING, 1" X 11-7/8", MBR..... | 2 |
| 11 | 96100001 | FITTING, ELBOW 90°..... | 2 |
| 12 | 98009030 | PW, 3/4", A NARROW..... | 4 |
| 13 | 96112982 | SPACER, CYLINDER..... | 4 |
| 14 | 97100876 | DECAL, PINCH POINT..... | 2 |
| 15 | 97100018 | DECAL, WARNING..... | 2 |

NOTE: * Not Available as a Service Part.

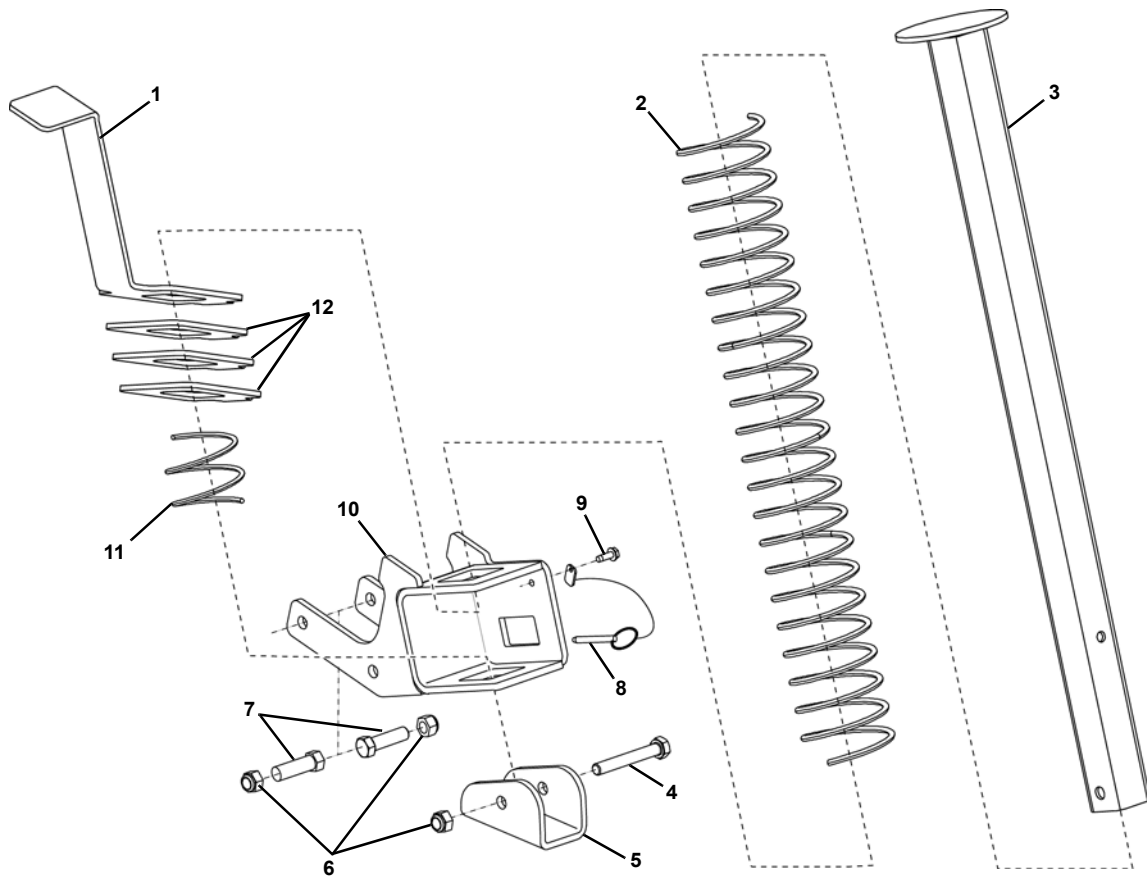
LOWER LIGHT BAR ASSEMBLY (LLLB)



| ITEM | PART NO. | DESCRIPTION | QTY |
|------|-----------|--|-----|
| 1 | 98009038 | LN, 5/8"-11, NYLON INSERT | 4 |
| 2 | 98009069 | COPT, 5/32" X 2" | 4 |
| 3 | 98100439 | PW, 1-1/4" A NARROW | 4 |
| 4 | 96111245 | LATCH | 2 |
| 5 | 96112748* | WELDMENT, MB RECEIVER | 1 |
| 6 | 98100255 | LN, 1/4"-20, NYLON INSERT | 4 |
| 7 | 98100266 | HHCS, 1/4" X 6" | 1 |
| 8 | 96113047* | LLLB | 1 |
| 9 | 96112330 | PIN, SPRING SECTION | 1 |
| 10 | 96113061* | STOP, LIFT (MBC/MBR/MBV)(SEE ITEM 32 FOR SERVICE PART KIT | 2 |
| 11 | 98009043 | HHCS, 1/2"-13 X 5" | 4 |
| 12 | 98009013 | LN, 1/2"-13, NYLON INSERT | 6 |
| 13 | 98100448 | HHCS, 1"-8 X 5" | 2 |
| 14 | 96101465 | TUBE, SPACER | 2 |
| 15 | 98009053 | HNILN, 1"-8 | 2 |
| 16 | 98100451 | TAPPED YOKE | 2 |
| 17 | 98100450 | ROD END- PARTIALLY THREADED | 2 |
| 18 | 98009259 | HHCS, 5/8"-11 X 2.50" | 4 |
| 19 | 96112307* | WELDMENT, HANDLE UPPER | 1 |
| 20 | 98100095 | HHCS, 1/2"-13 X 1-3/4" | 2 |
| 21 | 96111458* | WELDMENT, ATTACH MECHANISM | 1 |
| 22 | 98100337 | HHCS, 1/4"-20 x 1-3/4" | 1 |
| 23 | 96111463 | CAM, ATTACH MECH. | 1 |
| 24 | 96112417 | HANDLE, HOOK-UP | 2 |
| 25 | 96112604 | PIN, LATCH PIVOT | 2 |
| 26 | 96112603 | TUBE, SPACER, LATCH PIVOT | 2 |
| 27 | 98100447 | HHCS, 1/4"-20 X 2" | 2 |
| 28 | 96112795 | VRM (VEHICLE RECEIVER MOUNT) | 1 |
| 29 | 98009082 | HHCS, 5/16"-18 X 2-1/2" | 2 |
| 30 | 98009150 | LN, 5/16"-18, NYLON INSERT | 2 |
| 31 | 96112887* | WELDMENT CAM, ATTACH MECH. | 1 |
| 32 | 96113119 | KIT, STOP, LIFT MEGABLADE (INCLUDES ITEM 10, QTY 2 AND ITEMS 11-12, QTY 4 EACH) | 1 |

NOTE: * Not Available as a Service Part.

QUICKJACK™ STAND

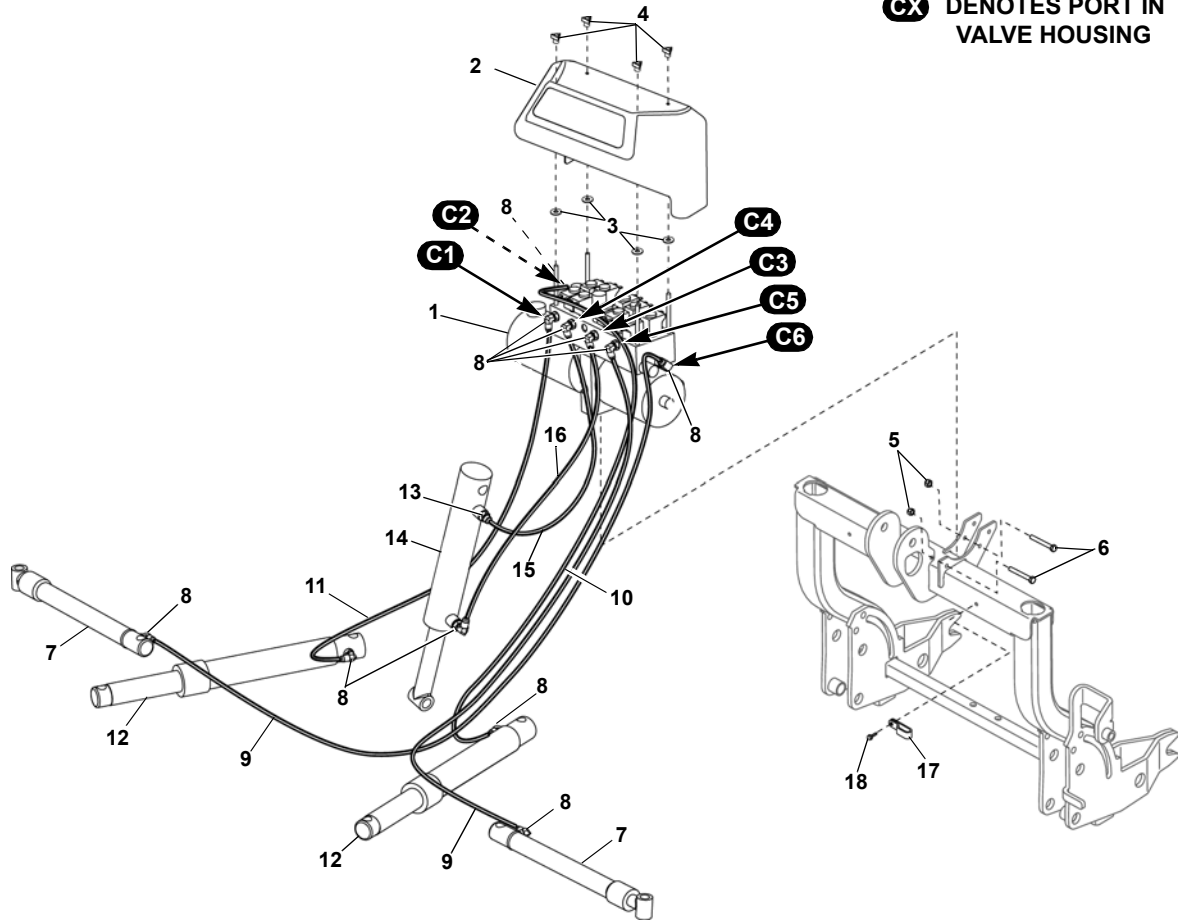


| ITEM | PART NO. | DESCRIPTION | QTY |
|------|-----------|--|-----|
| | 96112869 | QUICKJACK™ STAND KIT (INCLUDES ITEMS #1-6, 8-12) | 1 |
| 1 | 96112745* | BRACKET, RACHET PLATE W/HANDLE | 1 |
| 2 | 96112774* | SPRING, JACKSTAND | 1 |
| 3 | 96112868* | WELDMENT, TUBE, JACK | 1 |
| 4 | 98100264* | HHCS, 5/16"-18 X 2-1/4" | 1 |
| 5 | 96112854* | BRACKET, JACKSTAND FOOT | 1 |
| 6 | 98009150* | LN, 5/16"-18, NYLON INSERT | 5 |
| 7 | 98019176* | HWHST, 5/16"-18 X 1" | 4 |
| 8 | 98100462* | PIN, 1/4"-20, LAYNARD | 1 |
| 9 | 98100464* | HEX WASHER HEX SCREW, #8 X 1/2" | 1 |
| 10 | 96112757* | WELDMENT, JACKSTAND HOLDER | 1 |
| 11 | 96112013* | SPRING, JACKSTAND | 1 |
| 12 | 96112746* | BRACKET, RACHET PLATE | 3 |

NOTE: * Not Available as a Service Part.

HYDRAULIC SYSTEM

CX DENOTES PORT IN VALVE HOUSING

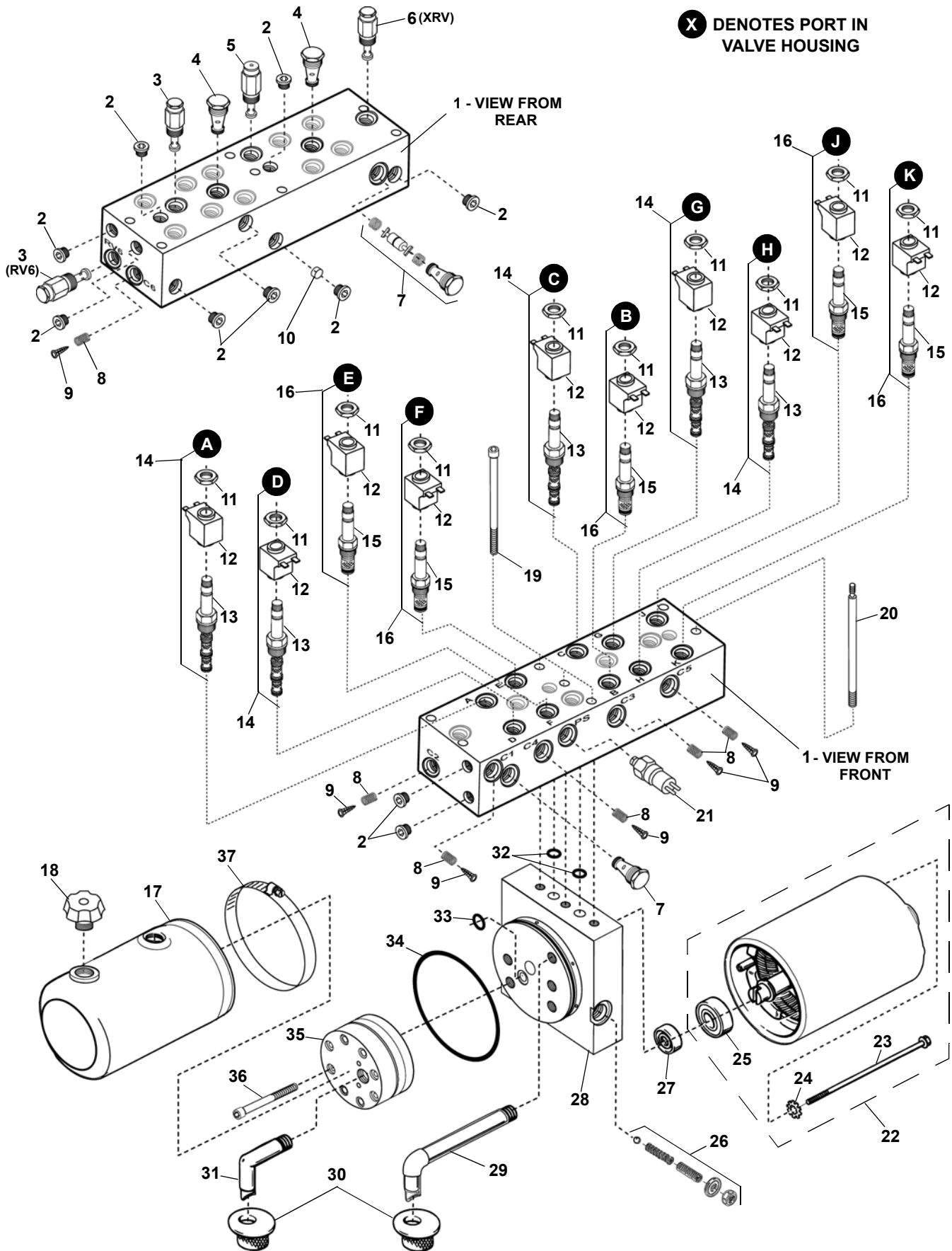


| ITEM | PART NO. | DESCRIPTION | QTY |
|------|----------|--|-----|
| 1 | 96111957 | POWER UNIT, MBR | 1 |
| 2 | 96113053 | PUMP COVER, MBR..... | 1 |
| 3 | 98100254 | PW, 1/4", A NARROW | 4 |
| 4 | 96112884 | KNOB, BLIND HOLE 3P1, 1/4"-20 | 4 |
| 5 | 98009150 | LN, 5/16"-18, NYLON INSERT | 2 |
| 6 | 98009082 | HHCS, 5/16"-18 X 2.50" | 2 |
| 7 | 96112070 | CYLINDER, WING, 1" X 11-7/8", MBR | 2 |
| 8 | 96100001 | FITTING, ELBOW 90° | 11 |
| 9 | 96112321 | HOSE, HYDRAULIC 70.00" (VALVE PORT #C5 & C6)..... | 2 |
| 10 | 96112920 | HOSE, HYDRAULIC 40.00" (VALVE PORT #C2)..... | 1 |
| 11 | 96112921 | HOSE, HYDRAULIC 36.00" (VALVE PORT #C1)..... | 1 |
| 12 | 96112185 | CYLINDER, SWING, 1-3/4" X 11", MBR | 2 |
| 13 | 96100000 | FITTING, STRAIGHT CONNECTOR..... | 1 |
| 14 | 96112654 | CYLINDER, LIFT, 2" X 12" STROKE (REBUILD KIT NOT AVAILABLE)..... | 1 |
| 15 | 96112924 | HOSE, HYDRAULIC, 14.00" (VALVE PORT #C4)..... | 1 |
| 16 | 96112923 | HOSE, HYDRAULIC, 20.00" (VALVE PORT #C3)..... | 1 |
| 17 | 96112500 | CLAMP, HYDRAULIC HOSE | 1 |
| 18 | 98100386 | HWH, 5/16" X 1-1/4" TE X 3 | 1 |

NOTE: * Not Available as a Service Part.

HYDRAULIC POWER UNIT

X DENOTES PORT IN VALVE HOUSING



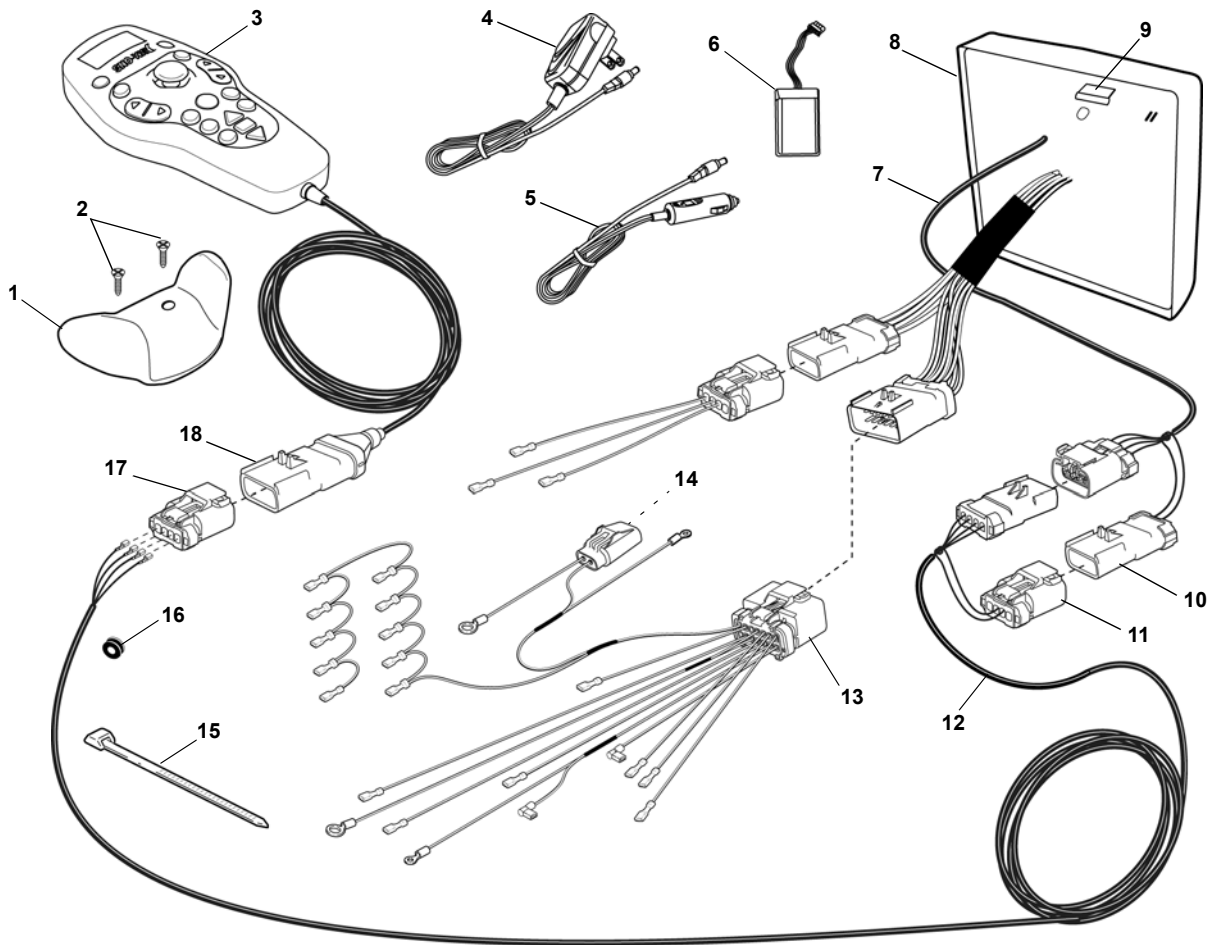
HYDRAULIC POWER UNIT

| ITEM | PART NO. | DESCRIPTION | QTY |
|------|----------|--|-----|
| | * | VALVE ASSEMBLY | 1 |
| 1 | * | HOUSING, VALVE | 1 |
| | * | PLUG, EXPANDER, BALL TYPE (NOT SHOWN) | 19 |
| 2 | 96105234 | FITTING, PLUG | 10 |
| 3 | 96105732 | VALVE, RELIEF CART, SIZE 8 | 2 |
| 4 | 96105238 | VALVE, CK, CART, SIZE 8 | 2 |
| 5 | 96105253 | VALVE, RELIEF CARTRIDGE, SIZE 8 | 1 |
| 6 | 96112553 | VALVE, RELIEF CART | 1 |
| 7 | 96112948 | KIT, CHECK VALVE, DELTRO (INCLUDES 2 CHECK VALVES, 1 PISTON ASSEMBLY AND 2 SPRINGS) | 1 |
| 8 | 96105250 | FILTER, INLINE | 6 |
| 9 | 96105251 | SPRING, RETAINING | 6 |
| 10 | 96106102 | PLUG, ORIFACE, #55 | 1 |
| 11 | 96105275 | NUT, COIL, PARKER | 10 |
| 12 | 96111171 | COIL, 10VDC, #8 (BLUE) | 10 |
| 13 | 96108324 | VALVE, CARTRIDGE, 3W/2P, #8, HI-FLOW | 5 |
| 14 | 96112584 | KIT, VALVE CARTRIDGE (INCLUDES ITEMS #11, 12, 13) | 5 |
| 15 | 96108325 | VALVE, CARTRIDGE, 2W/2P, NC, POPPET | 5 |
| 16 | 96112583 | KIT, VALVE CARTRIDGE (INCLUDES ITEMS #11, 12, 15) | 5 |
| 17 | 96112556 | RESERVOIR, PLASTIC | 1 |
| 18 | 96105244 | PLUG, BREATHER | 1 |
| 19 | 96105237 | SCREW, SOCKET HEAD 1/4"-20 X 3" | 3 |
| 20 | 96112410 | STUD, POWER UNIT | 4 |
| 21 | 96101976 | SWITCH, PRESSURE | 1 |
| 22 | 96105233 | MOTOR, 12 VDC 4.5" | 1 |
| 23 | * | FHCS | 2 |
| 24 | * | WASHER, EXTERNAL TOOTH | 2 |
| 25 | * | BEARING, MOTOR BASE | 1 |
| 26 | 96105313 | KIT, RELIEF VALVE | 1 |
| 27 | 96105317 | SEAL, SHAFT | 1 |
| 28 | * | BASE ASSEMBLY | 1 |
| 29 | 96112558 | TUBE ASSEMBLY, RETURN | 1 |
| 30 | 96105245 | 16.32 FILTER | 2 |
| 31 | 96105737 | TUBE, SUCTION, 90°, 3/8" NPT | 1 |
| 32 | 96105314 | O-RING (5/8" X 3/4" X 1/16") | 2 |
| 33 | 96105316 | O-RING (1/2" X 5/8" X 1/16") | 1 |
| 34 | 96105315 | O-RING (3-5/8" X 3-7/8" X 1/8") | 1 |
| 35 | 96105735 | PUMP ASSEMBLY | 1 |
| 36 | * | SHCS | 4 |
| 37 | 96105231 | CLAMP | 1 |

NOTE: * Not Available as a Service Part.

PROCONTROL SYSTEM WIRING

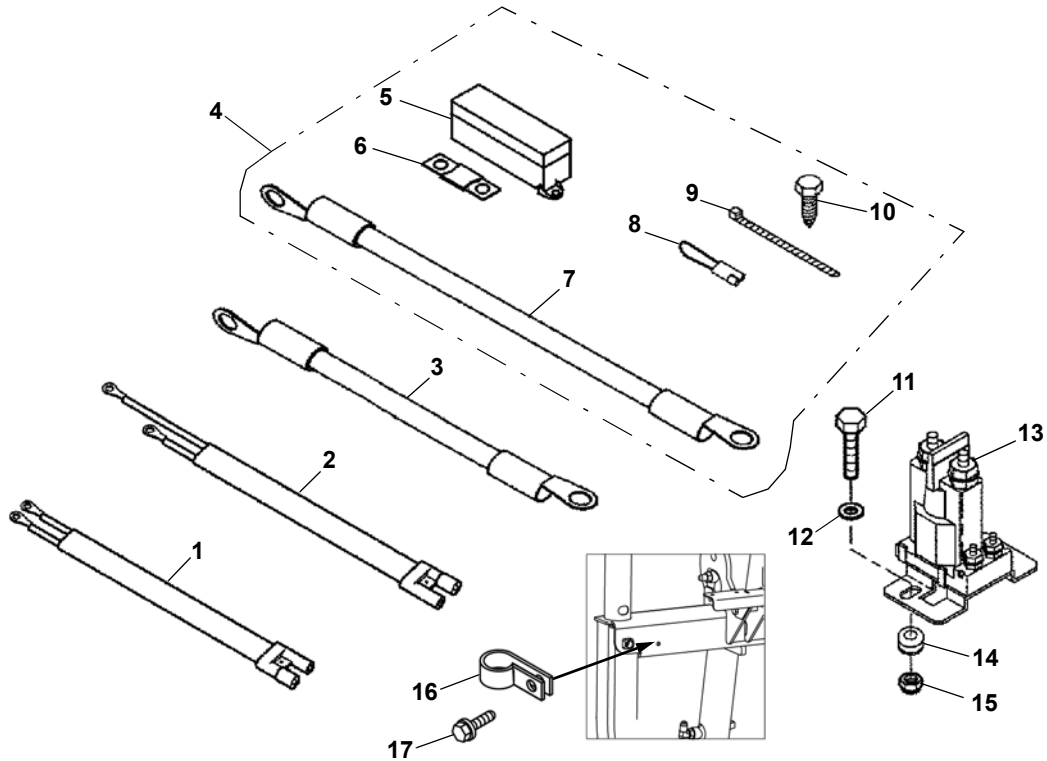
After S.N. MBR200000



| ITEM | PART NO. | DESCRIPTION | QTY |
|------|----------|--|-----|
| 1 | 96112259 | CLIP, DASH MOUNT..... | 1 |
| 2 | 98100463 | SCREW..... | 2 |
| 3 | 96112246 | TRANSMITTER, WIRED..... | 1 |
| | 96112244 | TRANSMITTER, WIRELESS..... | 1 |
| 4 | 96113316 | WALL CHARGER, PROCONTROL, 120VAC..... | 1 |
| 5 | 96112376 | CAR CHARGER, PROCONTROL, 12VDC..... | 1 |
| 6 | 96112258 | BATTERY, WIRELESS..... | 1 |
| 7 | 96112931 | KIT, MODULE HARNESS REPAIR, PROCONTROL WIRED (NOT SHOWN) | 1 |
| 8 | 96113175 | MODULE, RECEIVER, WIRED, UNIVERSAL..... | 1 |
| | 96112260 | MODULE, RECEIVER, WIRELESS, UNIVERSAL..... | 1 |
| 9 | 96112985 | CAP, SILICONE..... | 1 |
| 10 | 96112872 | CAP, STORAGE, MALE..... | 1 |
| 11 | 96112871 | CAP, STORAGE, FEMALE..... | 1 |
| 12 | 96112913 | HARNESS, VEHICLE..... | 1 |
| 13 | 96112191 | HARNESS, CONTROL, SOLENOID, MBR, DP..... | 1 |
| 14 | 96112496 | FUSE, 10 AMP (NOT SHOWN - IN HOLDER)..... | 1 |
| 15 | 96001227 | STRAP, PLASTIC TIE..... | 5 |
| 16 | 96112419 | RUBBER GROMMET..... | 1 |
| 17 | 96112300 | CONNECTOR, FEMALE 4 WAY APEX..... | 4 |
| | 96108662 | TERMINAL, FEMALE, 18/20 AWG (NOT SHOWN)..... | 1 |
| 18 | 96112301 | CONNECTOR, MALE 4 WAY APEX..... | 4 |
| | 96108661 | TERMINAL, MALE, 18/22 AWG (NOT SHOWN)..... | 1 |

NOTE: * Not Available as a Service Part.

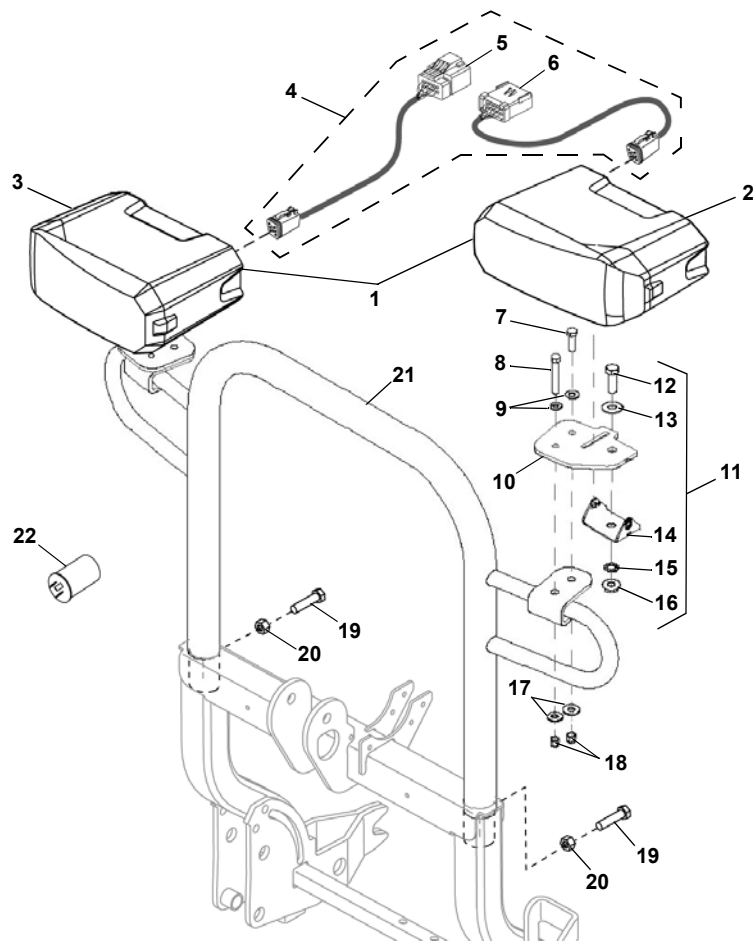
POWER PACK WIRING



| ITEM | PART NO. | DESCRIPTION | QTY |
|------|----------|--|-----|
| 1 | 96104221 | HARNESS, BATTERY POWER..... | 1 |
| 2 | 96112411 | HARNESS, POWER, PLOW, MB | 1 |
| 3 | 96105273 | HARNESS, SOLENOID | 1 |
| 4 | 96105167 | BAG, POWER HARNESS PARTS | 1 |
| 5 | 96109143 | FUSE HOLDER | 1 |
| 6 | 96109142 | FUSE, 250 AMP | 1 |
| 7 | 96102891 | CABLE, POWER | 2 |
| 8 | 96105082 | CAP, PROTECTIVE | 2 |
| 9 | 96001227 | STRAP, TIE PLASTIC..... | 2 |
| 10 | 98100037 | SCREW, SELF TAPPING, #10-16 x 1" | 4 |
| 11 | 98009027 | HHCS, 1/4"-20 x 1" | 2 |
| 12 | 98100254 | WASHER, FLAT, 1/4"..... | 2 |
| 13 | 96002086 | SWITCH, SOLENOID | 1 |
| 14 | 96105282 | GROMMET, 3/8" ID..... | 2 |
| 15 | 98100255 | NUT, HEX HEAD NYLOCK, 1/4"-20 | 2 |
| 16 | 96101891 | CLAMP, TUBE, VINYL COATED | 1 |
| 17 | 98100386 | HWH 5/16" X 1-1/4" TE X 3 | 1 |

NOTE: * Not Available as a Service Part.

AUXILIARY LIGHTING



| ITEM | PART NO. | DESCRIPTION | QTY |
|------|------------|--|-----|
| 1 | 96113241 | KIT, LIGHT, EIS DUAL COMPOSITE (INCLUDES ITEM #2, 3 & 11)..... | 1 |
| 2 | 96113242 | ASSY, LIGHT, EIS, DS | 1 |
| 3 | 96113243 | ASSY, LIGHT, EIS, PS | 1 |
| 4 | 96110260 | KIT, HARNESS, PLOW LIGHT, EIS | 1 |
| 5 | 96108117 | CONNECTOR, FEMALE | 1 |
| 6 | 96108116 | CONNECTOR, MALE | 1 |
| 7 | 98009034 | HHCS, 3/8"-16 X 1-1/4" | 2 |
| 8 | 98009134 | HHCS, 3/8"-16 X 2-1/2" | 2 |
| 9 | 98009032 | PW, 3/8", A NARROW | 4 |
| 10 | 96113174 | PLATE, ADAPTER, LIGHT MEGA | 2 |
| 11 | 96113333* | KIT, BRACKET, ADJUSTER, LIGHT (INCLUDES #12, 13, 14, 15, 16) | 1 |
| 12 | * | HHCS, 1/2"-13 X 1" | 2 |
| 13 | * | PW, 1/2" | 2 |
| 14 | * | BRACKET, BOTTOM EXTEND MOUNT | 2 |
| 15 | * | LW, 1/2" | 2 |
| 16 | * | LN, 1/2" | 2 |
| 17 | 98100483 | PW, 3/8" TYPE A, WIDE | 4 |
| 18 | 98009009 | LN, 3/8"-16, NYLON INSERT | 4 |
| 19 | 98100472 | HHCS, 1/2"-13 X 3-1/2", FULL THREAD | 2 |
| 20 | 98100172 | HN, 1/2"-13, JAM | 2 |
| 21 | 96112902 | WELDMENT, ULB | 1 |
| 22 | 96003010 | FLASHER (SOLD SEPARATELY) | 1 |
| 23 | 96113368 | KIT, PLATE ADAPTER LIGHT (INCLUDES ITEMS # 7-10, 17, 18, & 24) | 1 |
| 24 | 96001227** | ZIP TIE | 2 |

**NOTE: 1) * Not Available as a Service Part.
2) ** Not Shown.**

NOTES

NUMERICAL INDEX

| PART NO. | PAGE | ITEM | PART NO. | PAGE | ITEM | PART NO. | PAGE | ITEM |
|----------|------|------|----------|------|------|----------|------|------|
| 96001227 | 11 | 15 | 96111171 | 10 | 12 | 96112871 | 11 | 11 |
| | 12 | 9 | 96111245 | 6 | 4 | 96112872 | 11 | 10 |
| | 13 | 24 | 96111458 | 6 | 21 | 96112884 | 8 | 4 |
| 96001392 | 4 | 5 | 96111463 | 6 | 23 | 96112887 | 6 | 31 |
| 96002086 | 12 | 13 | 96111591 | 5 | 5 | 96112902 | 13 | 21 |
| 96003010 | 13 | 22 | 96111957 | 8 | 1 | 96112913 | 11 | 12 |
| 96100000 | 4 | 25 | 96112013 | 7 | 11 | 96112920 | 8 | 10 |
| | 8 | 13 | 96112070 | 5 | 10 | 96112921 | 8 | 11 |
| 96100001 | 4 | 10 | | 8 | 7 | 96112923 | 8 | 16 |
| | 5 | 11 | 96112185 | 4 | 7 | 96112924 | 8 | 15 |
| | 8 | 8 | | 8 | 12 | 96112931 | 11 | 7 |
| 96101465 | 6 | 14 | 96112191 | 11 | 13 | 96112948 | 10 | 7 |
| 96101891 | 12 | 16 | 96112244 | 11 | 3 | 96112982 | 5 | 13 |
| 96101976 | 10 | 21 | 96112246 | 11 | 3 | 96112985 | 11 | 9 |
| 96102891 | 12 | 7 | 96112258 | 11 | 6 | 96113011 | 4 | 26 |
| 96104221 | 12 | 1 | 96112259 | 11 | 1 | 96113047 | 6 | 8 |
| 96105082 | 12 | 8 | 96112260 | 11 | 8 | 96113052 | 4 | 11 |
| 96105167 | 12 | 4 | 96112300 | 11 | 17 | 96113053 | 8 | 2 |
| 96105231 | 10 | 37 | 96112301 | 11 | 18 | 96113061 | 6 | 10 |
| 96105233 | 10 | 22 | 96112307 | 6 | 19 | 96113119 | 6 | 32 |
| 96105234 | 10 | 2 | 96112321 | 8 | 9 | 96113174 | 13 | 10 |
| 96105237 | 10 | 19 | 96112330 | 6 | 9 | 96113175 | 11 | 8 |
| 96105238 | 10 | 4 | 96112336 | 4 | 2 | 96113241 | 13 | 1 |
| 96105244 | 10 | 18 | 96112352 | 5 | 1 | 96113242 | 13 | 2 |
| 96105245 | 10 | 30 | 96112376 | 11 | 5 | 96113243 | 13 | 3 |
| 96105250 | 10 | 8 | 96112410 | 10 | 20 | 96113316 | 11 | 4 |
| 96105251 | 10 | 9 | 96112411 | 12 | 2 | 96113326 | 3 | 14 |
| 96105253 | 10 | 5 | 96112417 | 6 | 24 | 96113327 | 3 | 15 |
| 96105273 | 12 | 3 | 96112419 | 11 | 16 | 96113333 | 13 | 11 |
| 96105275 | 10 | 11 | 96112439 | 4 | 19 | 96113368 | 13 | 23 |
| 96105282 | 12 | 14 | 96112496 | 11 | 14 | 96118214 | 3 | 16 |
| 96105313 | 10 | 26 | 96112500 | 8 | 17 | 97100018 | 5 | 15 |
| 96105314 | 10 | 32 | 96112553 | 10 | 6 | 97100876 | 5 | 14 |
| 96105315 | 10 | 34 | 96112556 | 10 | 17 | 97101524 | 3 | 17 |
| 96105316 | 10 | 33 | 96112558 | 10 | 29 | 98009003 | 3 | 9 |
| 96105317 | 10 | 27 | 96112583 | 10 | 16 | | 4 | 8 |
| 96105732 | 10 | 3 | 96112584 | 10 | 14 | 98009005 | 4 | 15 |
| 96105735 | 10 | 35 | 96112603 | 6 | 26 | 98009009 | 13 | 18 |
| 96105737 | 10 | 31 | 96112604 | 6 | 25 | 98009010 | 3 | 1 |
| 96106102 | 10 | 10 | 96112654 | 4 | 23 | 98009013 | 3 | 4 |
| 96108116 | 13 | 6 | | 8 | 14 | | 6 | 12 |
| 96108117 | 13 | 5 | 96112745 | 7 | 1 | 98009023 | 4 | 17 |
| 96108324 | 10 | 13 | 96112746 | 7 | 12 | 98009027 | 12 | 11 |
| 96108325 | 10 | 15 | 96112748 | 6 | 5 | 98009030 | 3 | 18 |
| 96108661 | 11 | 18 | 96112757 | 7 | 10 | | 5 | 12 |
| 96108662 | 11 | 17 | 96112774 | 7 | 2 | 98009032 | 13 | 9 |
| 96109142 | 12 | 6 | 96112795 | 6 | 28 | 98009034 | 13 | 7 |
| 96109143 | 12 | 5 | 96112838 | 3 | 5 | 98009037 | 4 | 4 |
| 96110192 | 4 | 21 | 96112839 | 3 | 7 | | 5 | 7 |
| 96110260 | 13 | 4 | 96112854 | 7 | 5 | 98009038 | 6 | 1 |
| 96110344 | 3 | 3 | 96112868 | 7 | 3 | 98009039 | 4 | 1 |
| 96110881 | 5 | 6 | 96112869 | 7 | | 98009043 | 6 | 11 |

NUMERICAL INDEX

| PART NO. | PAGE | ITEM |
|----------|------|------|
| 98009053 | 6 | 15 |
| 98009069 | 6 | 2 |
| 98009078 | 4 | 3 |
| | 5 | 8 |
| 98009082 | 6 | 29 |
| | 8 | 6 |
| 98009085 | 4 | 9 |
| | 5 | 4 |
| 98009099 | 3 | 8 |
| 98009134 | 13 | 8 |
| 98009150 | 4 | 20 |
| | 6 | 30 |
| | 7 | 6 |
| | 8 | 5 |
| 98009230 | 4 | 18 |
| 98009259 | 6 | 18 |
| 98019176 | 7 | 7 |
| 98100006 | 4 | 12 |
| 98100037 | 12 | 10 |
| 98100040 | 4 | 24 |
| | 5 | 3 |
| 98100095 | 6 | 20 |
| 98100172 | 13 | 20 |
| 98100176 | 3 | 2 |
| 98100254 | 8 | 3 |
| | 12 | 12 |
| 98100255 | 6 | 6 |
| | 12 | 15 |
| 98100264 | 7 | 4 |
| 98100266 | 6 | 7 |
| 98100290 | 5 | 9 |
| 98100294 | 4 | 13 |
| 98100337 | 6 | 22 |
| 98100386 | 4 | 27 |
| | 8 | 18 |
| | 12 | 17 |
| 98100433 | 4 | 14 |
| 98100439 | 6 | 3 |
| 98100441 | 4 | 22 |
| | 5 | 2 |
| 98100447 | 6 | 27 |
| 98100448 | 6 | 13 |
| 98100450 | 6 | 17 |
| 98100451 | 6 | 16 |
| 98100452 | 4 | 16 |
| 98100462 | 7 | 8 |
| 98100463 | 11 | 2 |
| 98100464 | 7 | 9 |
| 98100468 | 4 | 6 |
| 98100470 | 3 | 10 |
| 98100472 | 13 | 19 |
| 98100483 | 13 | 17 |

| PART NO. | PAGE | ITEM |
|----------|------|------|
|----------|------|------|

| PART NO. | PAGE | ITEM |
|----------|------|------|
|----------|------|------|

NOTES

NOTES

SNO-WAY[®] INTERNATIONAL, INC.

SNO-WAY[®]
SNOW & ICE CONTROL EQUIPMENT

Hartford, WI 53027 USA
Website: www.snoway.com
©2021 Sno-Way[®] International