

Installation Instructions for 99100927, 99100963, and 99101097 Blocker Beam Removal on 2011 & Later and Transmission Cooler Clearance for Diesel Engines 2011 & Later

Overview

This manual will provide details on how to use existing vehicle mount kit (part number 99100927 or 99100963) inventory on 2011 & Later Ford Super Duty Trucks.

1. There is now a removable blocker beam included on all 2011 & Later Model Year Super Duty Trucks.
2. The transmission cooler is also an addition to the 2011 & Later Model Year Ford Super Duty Trucks with **Diesel** engines. Gas engines do not appear to have this cooler.

THESE NOTES DO NOT APPLY TO ANY EARLIER MODEL YEAR SUPER DUTY TRUCKS.

Note: It is recommended that you read this manual completely before performing any work. You will be responsible for providing the washers that will be used to create the required clearance between the transmission cooler and the sub-frame Passenger Front Weldment.

Installation Notes

1. Manual 97101327 or 97101515 will be needed to install your sub-frame. Refer to it as instructed.
2. Collect the needed assembly tools and review the installation notes within your manual.

Mounting Instructions

1. After the bumper is removed in step 1 of the mounting instructions in 97101327 or 97101515 continue the installation process by removing the removable blocker beams. Note: There is one located on each side of the frame rail. See Figure 1 and 2. Retain blocker beams and hardware for future installation.

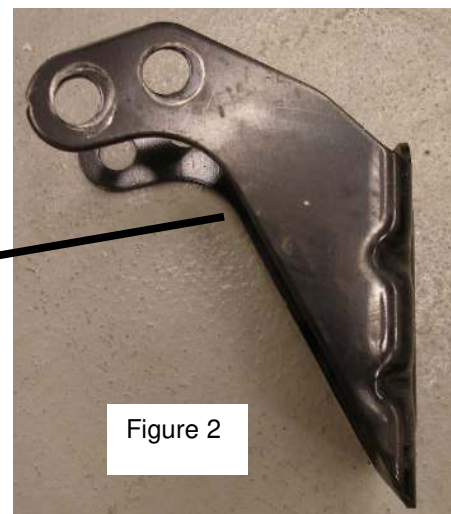
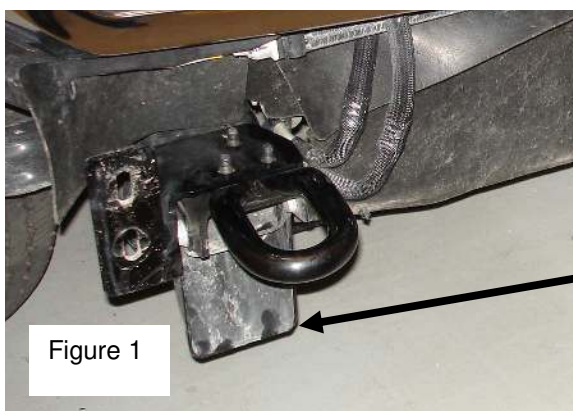




Figure 3

3. Install a stack of washers between the cooler plate and the frame rail. The washers should have a minimum height of .367" or enough that the cooler has clearance between it and the sub-frame Passenger Side Weldment. It is recommended that a washer with an outside diameter of 1.5" is used. The inside diameter is not critical as long as the bolt passes through it. Most 1/2" washers meet this criteria. It is recommended that when reviewing the sub-frame fastener tension every 5 to 10 hours you review this hardware also. See Figure 4. *Note: For representation purposes three washers per bolt have been modeled. Depending on the thickness of your washers this may vary.*

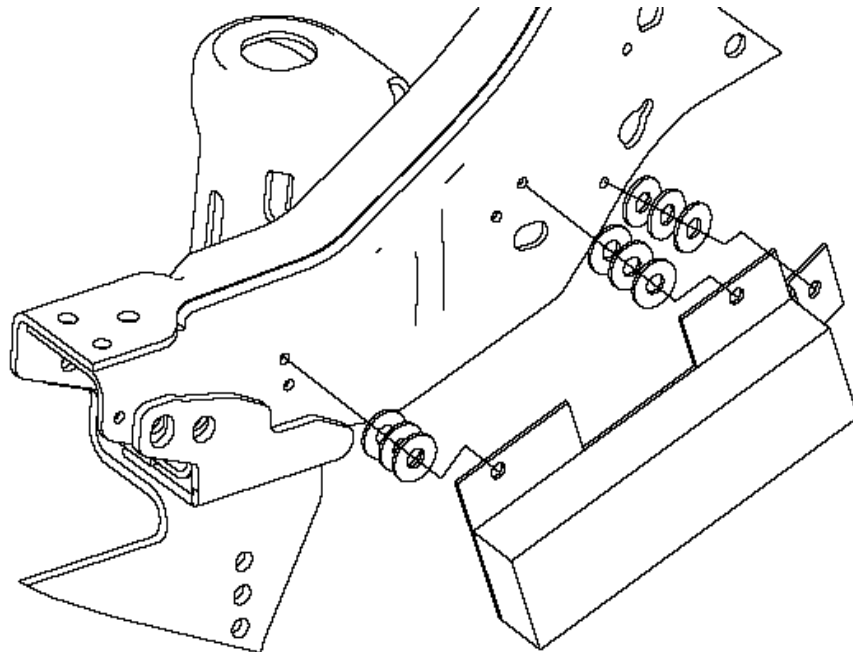


Figure 4

4. Proceed with regular sub-frame installation located in your manual under step 2 mounting instructions.