

SNO-WAY®

SNOW & ICE CONTROL EQUIPMENT

WIRING DIAGRAM AND INSTALLATION INSTRUCTIONS

**FOR
99101086, 99101108, 99101211
ADAPTER KITS**

Sno-Way®, Down Pressure® and EIS® are registered trademarks of Sno-Way International, Inc.
ProControl™, MegaBlade™, V-Wing™, E-Z Switch™, Revolution™, MaxAdjust™, SpeedLock™, and QuickJack™
are trademarks of Sno-Way International, Inc.

©2015 Sno-Way® International

97101714D

WIRING DIAGRAM



1. THINK SAFETY, ALWAYS WEAR SAFETY GLASSES WHEN PERFORMING THE OPERATIONS PRESCRIBED IN THESE INSTRUCTIONS
2. READ ALL INSTRUCTIONS CAREFULLY BEFORE ATTEMPTING INSTALLATION

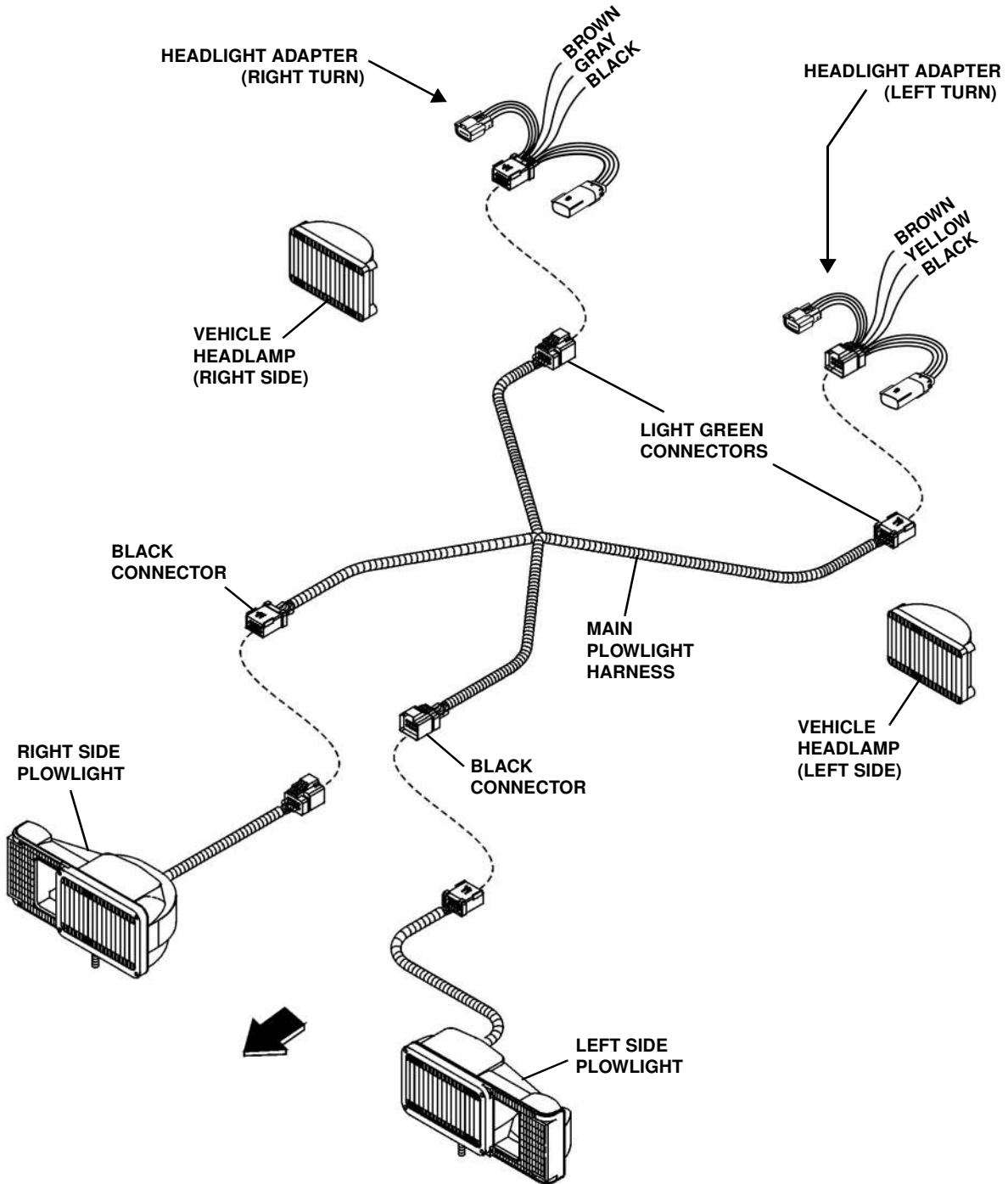


Figure 1

**99101086, 99101108 OR 99101211
ADAPTER KIT INSTALLATION
(Refer to Diagrams That Follow This Page)**

 CAUTION
<ul style="list-style-type: none">• THINK SAFETY, ALWAYS WEAR SAFETY GLASSES WHEN PERFORMING THE OPERATIONS PRESCRIBED IN THESE INSTRUCTIONS• READ ALL INSTRUCTIONS CAREFULLY BEFORE ATTEMPTING INSTALLATION

IMPORTANT: Use a dielectric compound on all connections, including Scotch-Lock® connectors, to prevent corrosion.

1. Disconnect the vehicle headlight electrical connector from the back of the vehicle headlamps.

NOTE: In order to disconnect some vehicle headlight connectors, it may be necessary to remove the headlamp assembly from the front of the vehicle, if the connector is not easily accessible.

2. Plug together the light green connectors on the main harness with the corresponding adapters needed for the vehicle. The drivers' side connections have a yellow wire and the passenger side has a gray wire.

IMPORTANT: The correct adapters must be connected to each side for proper function.


3. On the Driver's Side (Left Turn):

- Unplug the high/low beam connector from the vehicle. Plug the male connector, from the adapter harness, into the high/low beam connector on the vehicle. Plug the female connector, from the adapter harness, into the high/low beam connector on the headlight.
- Locate the left turn signal source wire on the vehicle harness. At a suitable distance back from the headlamp, using a Scotch Lock® connector with dielectric compound, splice the yellow headlight adapter wire to the vehicle left turn signal wire.
- Locate the left park source wire on the vehicle harness. At a suitable distance back from the headlamp, using a Scotch Lock® connector with dielectric compound, splice the brown headlight adapter wire to the vehicle park wire.
- Locate the left park/turn common wire on the vehicle harness. At a suitable distance back from the headlamp, using a Scotch Lock® connector with dielectric compound, splice the black headlight adapter wire to the vehicle park/turn common wire.

4. On the Passenger Side (Right Turn):

- Unplug the high/low beam connector from the vehicle. Plug the male connector, from the adapter harness, into the high/low beam connector on the vehicle. Plug the female connector, from the adapter harness, into the high/low beam connector on the headlight.
 - Locate the right turn signal source wire on the vehicle harness. At a suitable distance back from the headlamp, using a Scotch Lock® connector with dielectric compound, splice the gray headlight adapter wire to the vehicle right turn signal wire.
 - Locate the right park source wire on the vehicle harness. At a suitable distance back from the headlamp, using a Scotch Lock® connector with dielectric compound, splice the brown headlight adapter wire to the vehicle park wire.
 - Locate the left park/turn common wire on the vehicle harness. At a suitable distance back from the headlamp, using a Scotch Lock® connector with dielectric compound, splice the black headlight adapter wire to the vehicle park/turn common wire.
5. Place the other end of the main harness on the outside of the grille.
 6. Attach the main harness connectors to each other. Turn the vehicle lights ON and ensure proper operation of the vehicle high/low beam headlights, park lamps and turn signals.
 7. Attach the main harness connectors to the right and left plow light headlamps. Turn on the vehicle lights and check operation. Ensure that the vehicle headlights go out and the plow headlights come on. Check the park and turn signals.
 8. If disassembled, reassemble vehicle components.
 9. Secure the main harness to a safe location with electricians tape or plastic wire ties. Excess harness length should be neatly coiled and taped, or tied up out of the way.

IMPORTANT: Retain a record of how the vehicle wiring configuration was before alteration in the event snow plow is removed.

 CAUTION
<p>Make sure that wire harness is routed away from all moving engine components. Example; fan, belts etc. DO NOT attach wire harness to hoses, radiator AC coils, exhaust manifolds, or control cables.</p>

99101086 ADAPTER KIT

Headlight Adapter Schematic - Female (96114059)

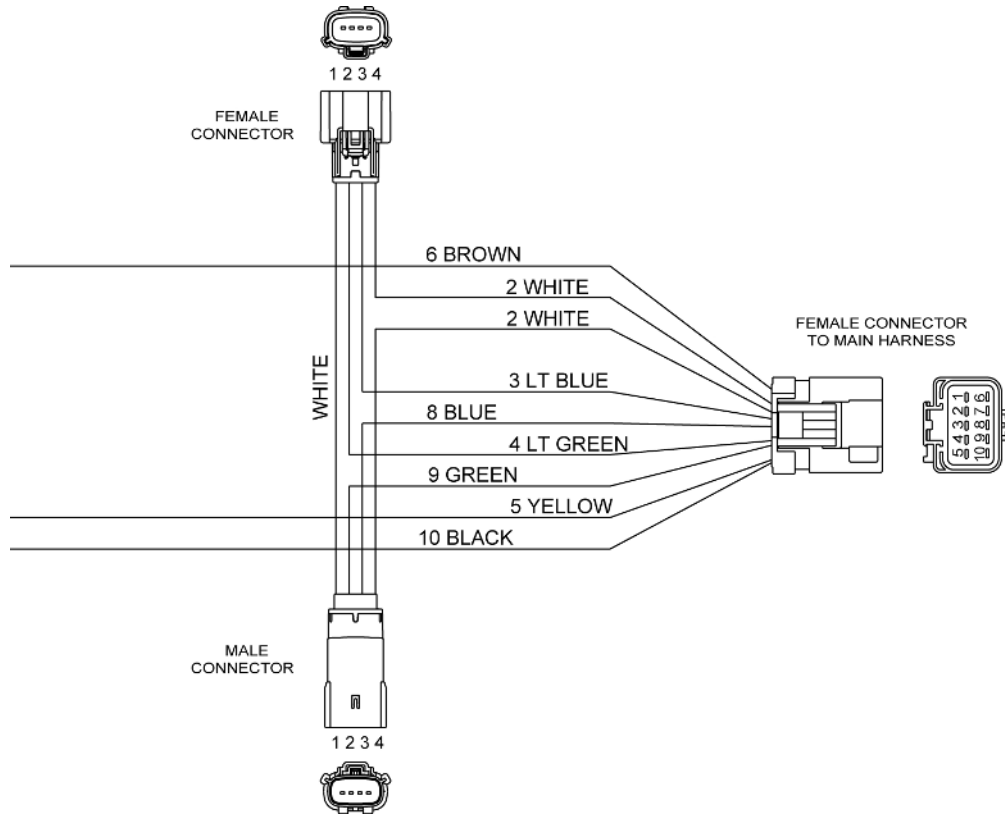


Figure 2

Headlight Adapter Schematic - Male (96114060)

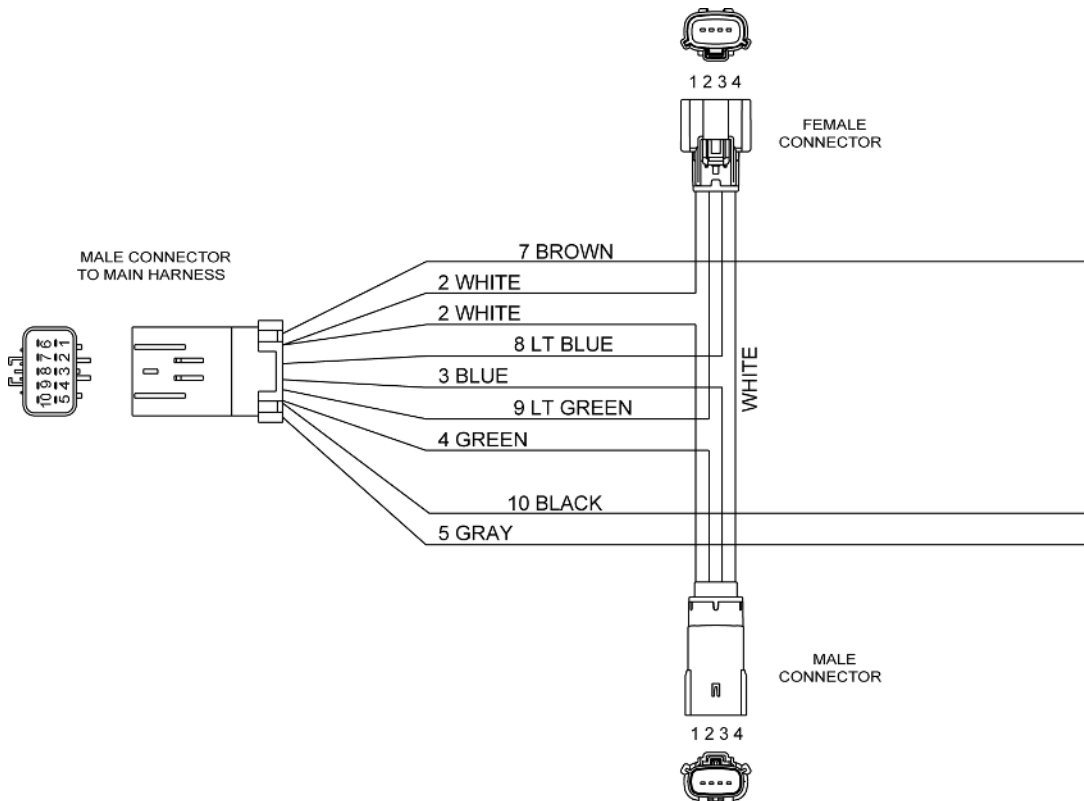


Figure 3

99101108 ADAPTER KIT

Headlight Adapter Schematic - Female (96114756)

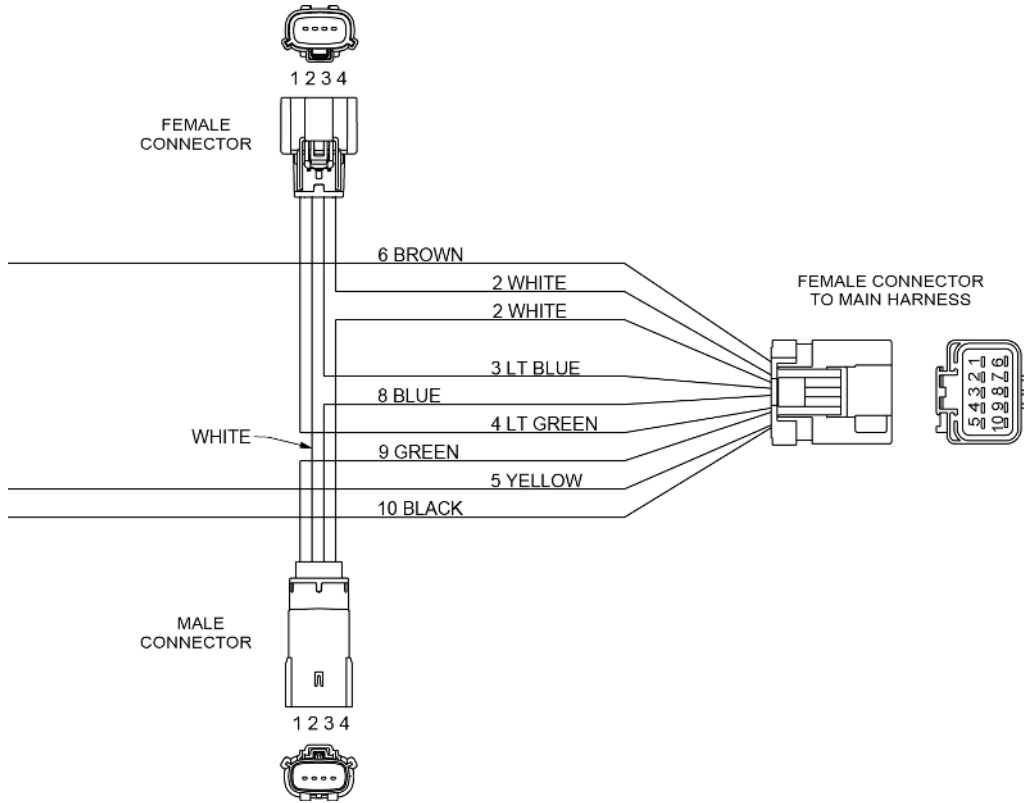


Figure 4

Headlight Adapter Schematic - Male (96114757)

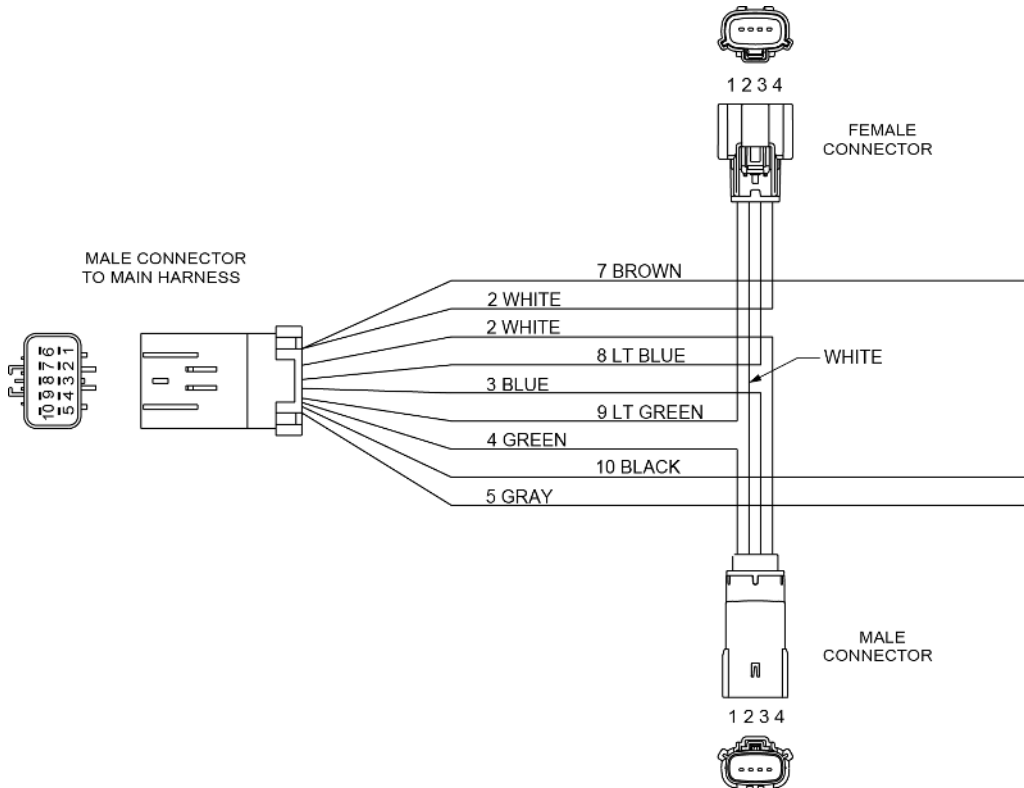


Figure 5

99101211 ADAPTER KIT

Headlight Adapter Schematic - Female (96115704)

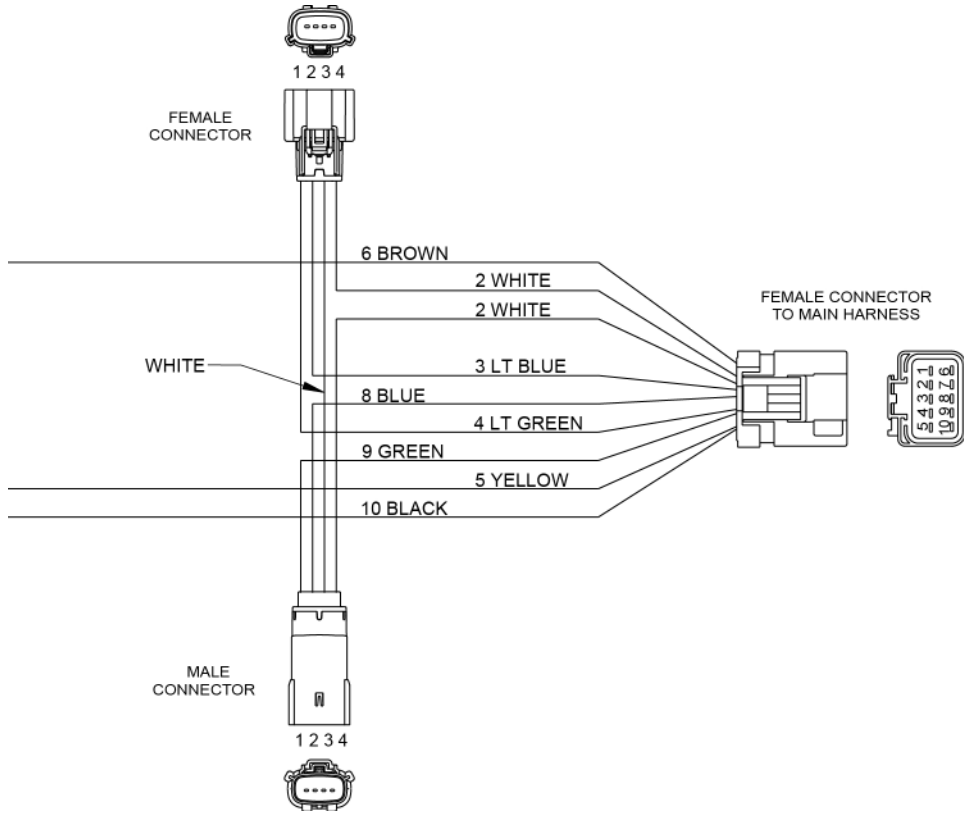


Figure 6

Headlight Adapter Schematic - Male (96115705)

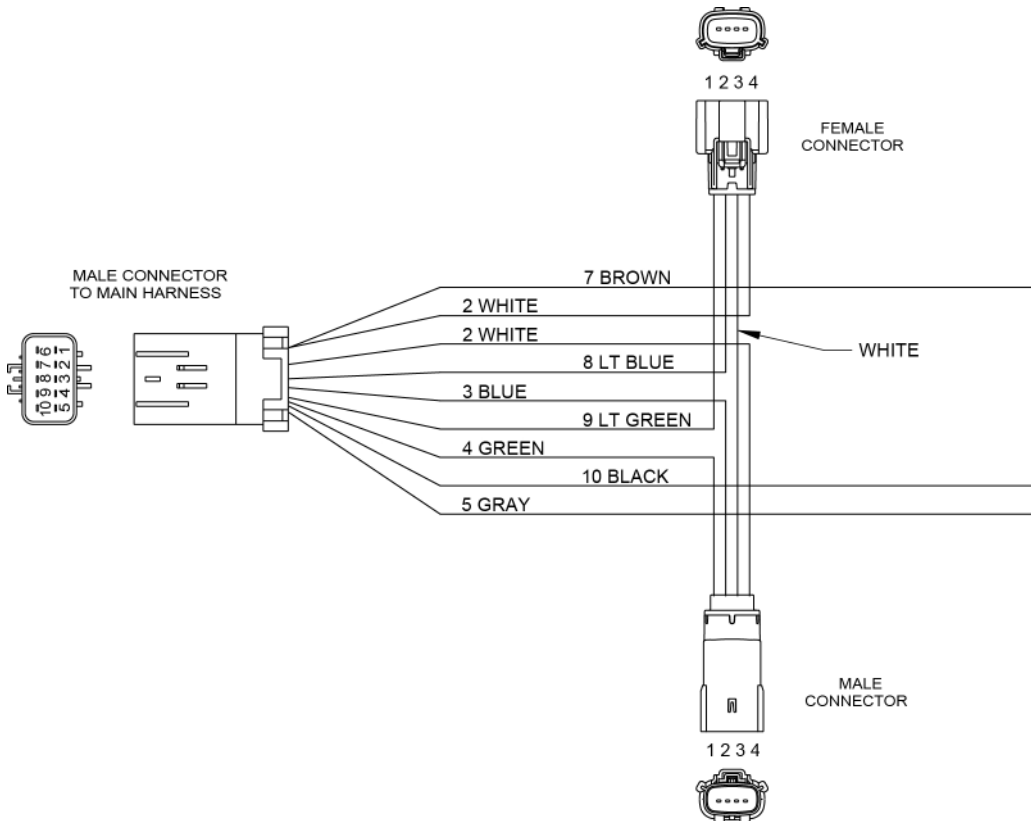


Figure 7

NOTES

SNO-WAY® INTERNATIONAL, INC.



Hartford, WI 53027 USA
Website: www.snoway.com
©2015 Sno-Way® International