

# **SNO-WAY**®

**SNOW & ICE CONTROL EQUIPMENT**

## **SERVICE PARTS MANUAL**

### **REVOLUTION™ HD & 32 CONTRACTOR SERIES SNOW PLOWS**

WITH SERIAL NUMBERS AFTER  
REVHD100000  
32CD100000

Sno-Way®, Down Pressure® and EIS® are registered trademarks of Sno-Way International, Inc.  
ProControl™, V-Wing™, E-Z Switch™, Revolution™ and MaxAdjust™ are trademarks of Sno-Way  
International, Inc.

©2023 Sno-Way® International

97101725J

# TABLE OF CONTENTS

	Page
PARTS LIST INTRODUCTION .....	2
USING THIS PARTS LIST .....	2
PART DESCRIPTION ABBREVIATIONS .....	2
POWER PACK FRAME.....	3
POWER PACK FRAME (Continued) .....	5
BLADE - 32 CONTRACTOR.....	7
BLADE - REVOLUTION HD (Front).....	8
BLADE _ REVOLUTION HD (Rear) WING FOLD MECHANISM/GUIDES.....	9
HYDRAULIC SYSTEM - 32 CONTRACTOR .....	11
HYDRAULIC SYSTEM - REVOLUTION HD.....	12
HYDRAULIC POWER UNIT - 32 CONTRACTOR.....	13
HYDRAULIC POWER UNIT - REVOLUTION HD.....	15
AUXILIARY LIGHTS .....	17
POWER PACK WIRING .....	19
NUMERICAL INDEX .....	21

**NOTE: For CONTROLLER SYSTEM WIRING - See Manual 97101915 - Snow Plow and Spreader Controls for parts breakdown and details.**

# PARTS LIST INTRODUCTION

Our dealership network stands by to provide you with any assistance you may require, including genuine Sno-Way service parts. All parts should be obtained from or ordered through your dealer. Give complete information about the part(s) at time of order, and include the Model and applicable Serial Numbers of your machine.

**NOTE: The Model and all Serial number information should be recorded on page two of your Installation and Owner's Manual for ease of reference. The location of these numbers on the machine is detailed in the manual as well.**

**"Right" and "Left" are determined from a position sitting on the Operators seat of the vehicle.**

We reserve the right to make changes or improvements in the design or construction of any part without incurring the obligation to install such changes in any unit previously delivered.

## USING THIS PARTS LIST

A sample parts listing is shown below:

- The **"ITEM"** in column one is the number used in the corresponding illustration.
- The **"PART NO."** in column two is the number used to order replacement parts. If a number does not appear in the column the part is only available by ordering the complete assembly.
- The **"DESCRIPTION"** in column three is the name of the replacement part. At times the name may be indented, this means that the indented parts are part of the preceding assembly.
- The **"QTY."** in column four is the quantity needed to service the assembly illustrated, not the complete product.

ITEM	PART NO.	DESCRIPTION	QTY.
1	96100083	O-ring	1
2	96001529	Elbow	3
3	98100036	Capscrew, Hex.,3/8"-16NC x 7/8"	9

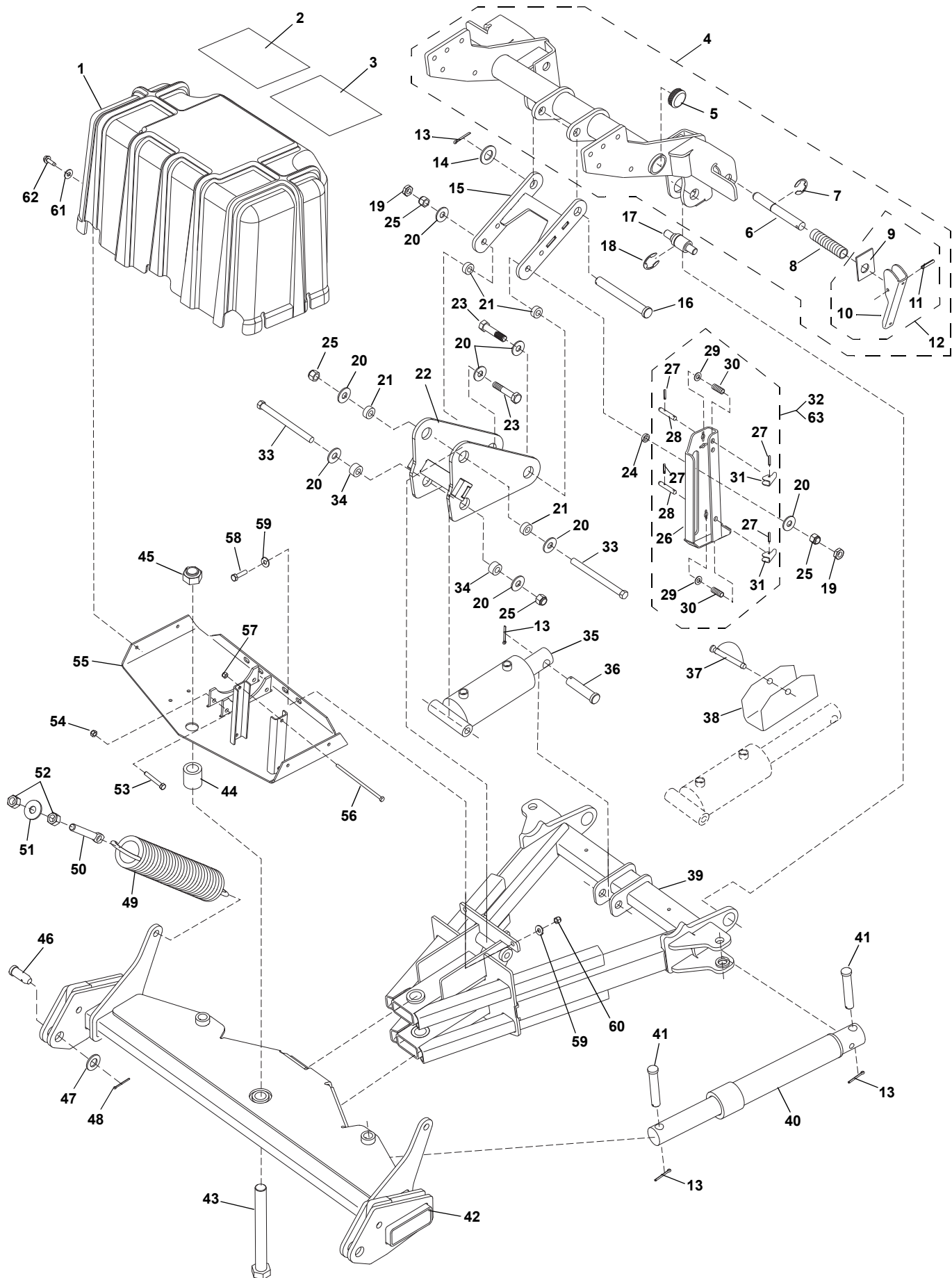
## PART DESCRIPTION ABBREVIATIONS

Our Part Descriptions use common industry standard abbreviations in the naming conventions for many individual items. The list below details the abbreviations commonly used throughout this manual. If a specific abbreviation is not listed, contact any Sno-Way Dealer for clarification.

ABBREV.	DESCRIPTION
BRKT	Bracket
CB	Carriage Bolt
CLP	Clevis Pin
COTP	Cotter Pin
DP	Down Pressure
DS	Driver Side
EB	Eye Bolt
GR	Grade
HDWE	Hardware
HHCS	Hex Head Cap Screw
HN	Hex Nut
HNILN	Hex Nylon Insert Locknut

ABBREV.	DESCRIPTION
HW	Hard Wired
HWH	Hex Washer Head
LN	Lock Nut
LW	Helical Lock Washer
PS	Passenger Side
PW	Plain Flat Washer
SHCS	Socket Head Cap Screw
SLT	Slotted
SS	Stainless Steel
ST	Self-Threading
UB	U-Bolt
WL	Wireless

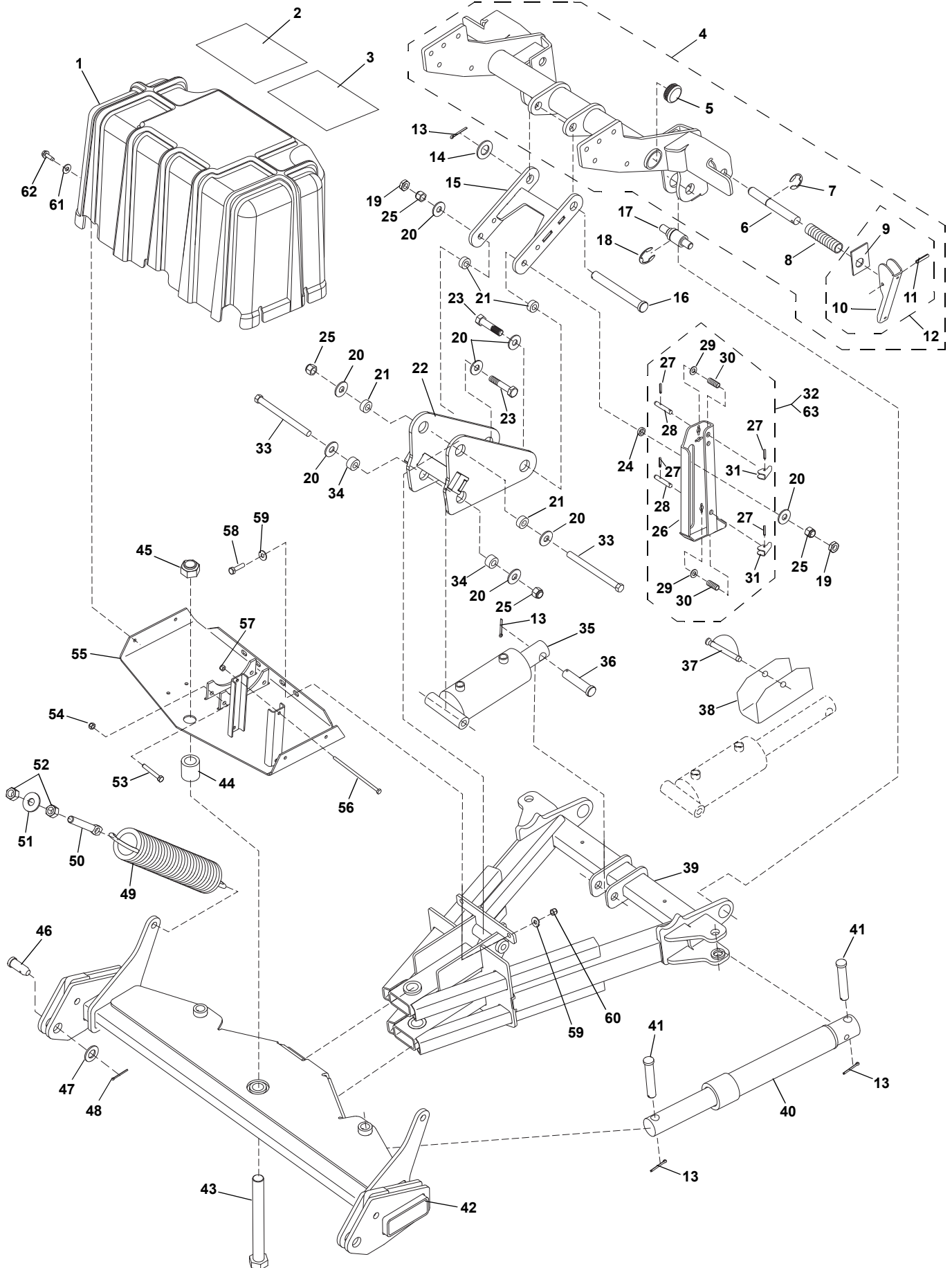
# POWER PACK FRAME



# POWER PACK FRAME

ITEM	PART NO.	DESCRIPTION	QTY
1	96113426	Cover, Pump (Includes items 2 & 3)	1
2		Decal, Revolution HD Pump Diagram	1
3		Decal, Mounting Instructions	1
4	96114252	Assembly, Lower Light Lift Bar, Revolution HD	1
5	96108873	End Cap, Lower Light Lift Bar, 29/32, Big Tube	2
6	96107128	Pin, Quick Tach	2
7	98100312	E-Ring, ER-75, 3/4"	2
8	96107130	Spring, Quick-Tach	2
9	96107329	Plate, Bearing, Polyethylene	2
10		Cam Handle, QH 22/26/29/32	2
11	98100313	Pin, Spring	2
12	96114473	Kit, Handle (Includes items 9, 10 & 11)	2
13	98009085	Cotter Pin, 5/32" x 1-1/2"	6
14	98009030	Washer, Flat, 3/4"	1
15	96113957	Weldment, Lift Link, Revolution HD	1
16	98100499	Clevis Pin, 3/4" x 6.5"	1
17	96113978	Pin, Quick Tach, Revolution HD	2
18	98100500	E-Ring, 1-3/8" Shaft Dia	2
19	98100172	Nut, Jam, 1/2"-13	3
20	98100176	Washer, Flat, 1/2"	8
21		Bushing	4
22	96117876	Weldment, Bell Crank	1
23	98100062	Cap Screw, Hex Head, 1/2"-13 x 2-1/4"	2
24		Spacer, Stand	1
25	98009013	Locknut, Nylon Insert, 1/2"-13	3
26		Jackstand	1
27		Roll Pin, 5/32" x 7/8"	4
28		Pin, Latch	2
29	98009032	Washer, Flat, 3/8"	2
30		Spring, Tension	2
31	96106540	Cam, Jackstand	2
32	96107346	Jackstand Assembly	1
33	98100509	Cap Screw, Hex Head, 1/2"-30 x 6-1/8"	2
34		Bushing	2
	96114404	Kit, Bushing (Includes Items 13, 14, 16, 19-21, 23, 25, 33, 34)	1
35	96106077	Cylinder, Lift, 2-1/2" Dia, Revolution HD	1
36	98100040	Pin, Clevis, 3/4" x 3"	1
37		Pin, Wire Lock	1
38	96107768	Clamp, Cylinder Lock, Down Pressure (Includes item #37)	1
	96107767	Clamp, Cylinder Lock, Gravity Down (Includes item #37)	1
39	96114280	Assembly, A-Frame, Revolution HD	1
40	96114065	Cylinder, Swing, 1-3/4", Revolution HD	2
41	98100007	Clevis Pin, 3/4" x 4"	4
42	96114010	Weldment, Swing Frame	1
43	98100498	Cap Screw, Hex Head, 1"-14 x 9-1/2"	1
44	96114241	Tube, Hinge Swing Spacer	1
45	98100294	Locknut, Hex, 1"-14	1
46	98100433	Clevis Pin, 1" x 2"	2
47	98009005	Washer, Flat, 1"	2
48	98009069	Cotter Pin, 5/32" x 1-3/4"	2

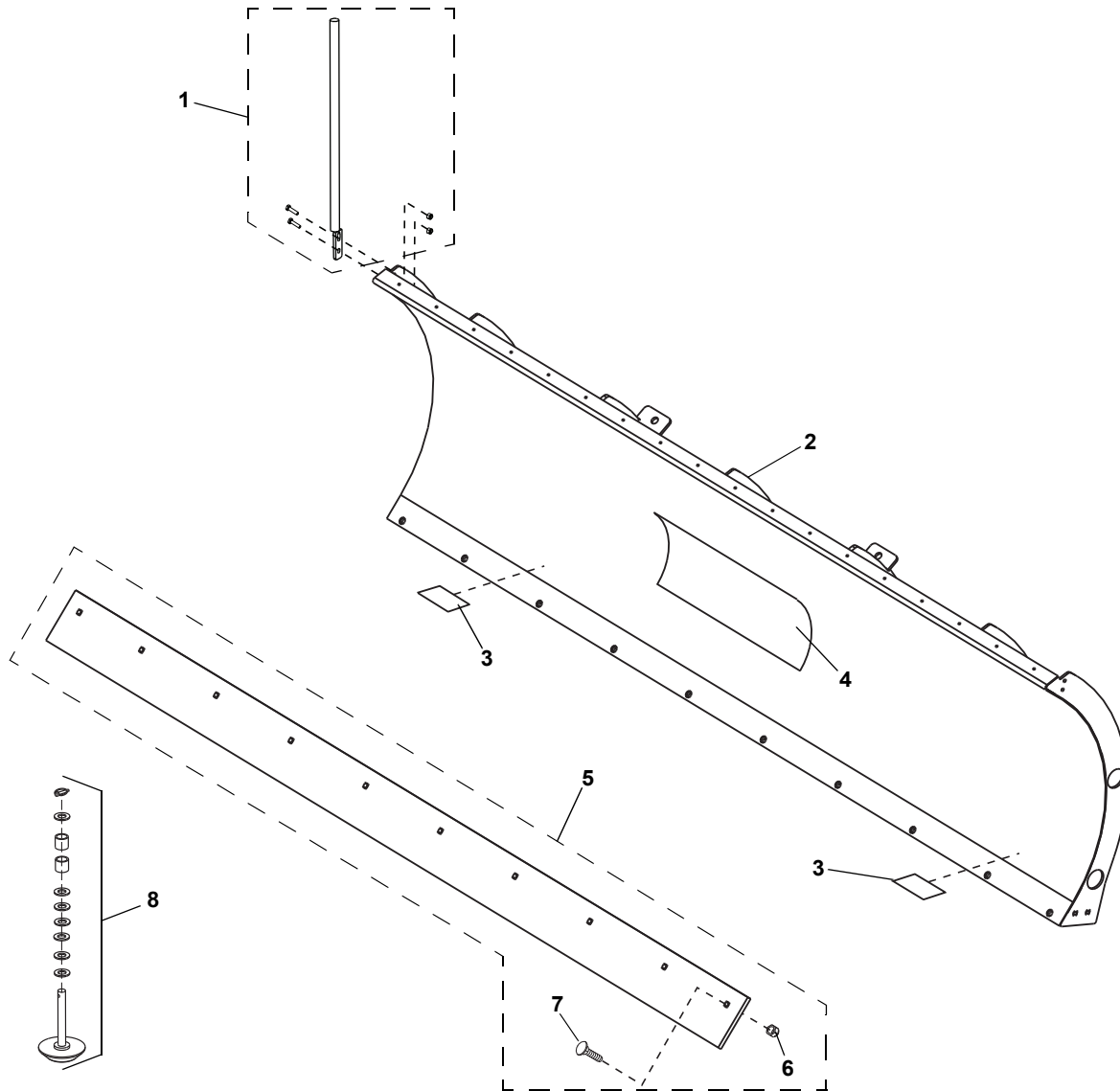
# POWER PACK FRAME (Continued)



## POWER PACK FRAME Continued)

ITEM	PART NO.	DESCRIPTION	QTY
49	96112891	Spring, Trip .....	2
50	96102781	Bolt, Spade, 5/8"-11 x 4.97" .....	2
51	98009039	Washer, Flat, 5/8" .....	2
52	98009078	Nut, 5/8"-11 .....	4
53	98100264	Cap Screw, Hex Head, 5/16"-18 x 2-1/4".....	2
54	98009150	Locknut, Nylon Insert, 5/16"-18 .....	2
55	96106184	Weldment, Pump Platform, 26/29/32 .....	1
56	98100266	Cap Screw, Hex Head, 1/4"-20 x 6" .....	1
57	98100255	Locknut, Nylon Insert, 1/4"-20 .....	1
58	98009034	Cap Screw, Hex Head, 3/8"-16 x 1-1/4".....	2
59	98009032	Washer, Flat, 3/8" .....	4
60	98009009	Locknut, Nylon Insert, 3/8"-16 .....	2
61	98009230	Washer, Flat, 5/16" .....	4
62	98019176	Screw, Self-Tapping, Washer Head, 5/16"-18 x 1, JS500.....	4
63	96107711	Kit, Jackstand Hardware (Not Shown) (Includes one each - #28, 29, 30, 31 and two each #27).....	2

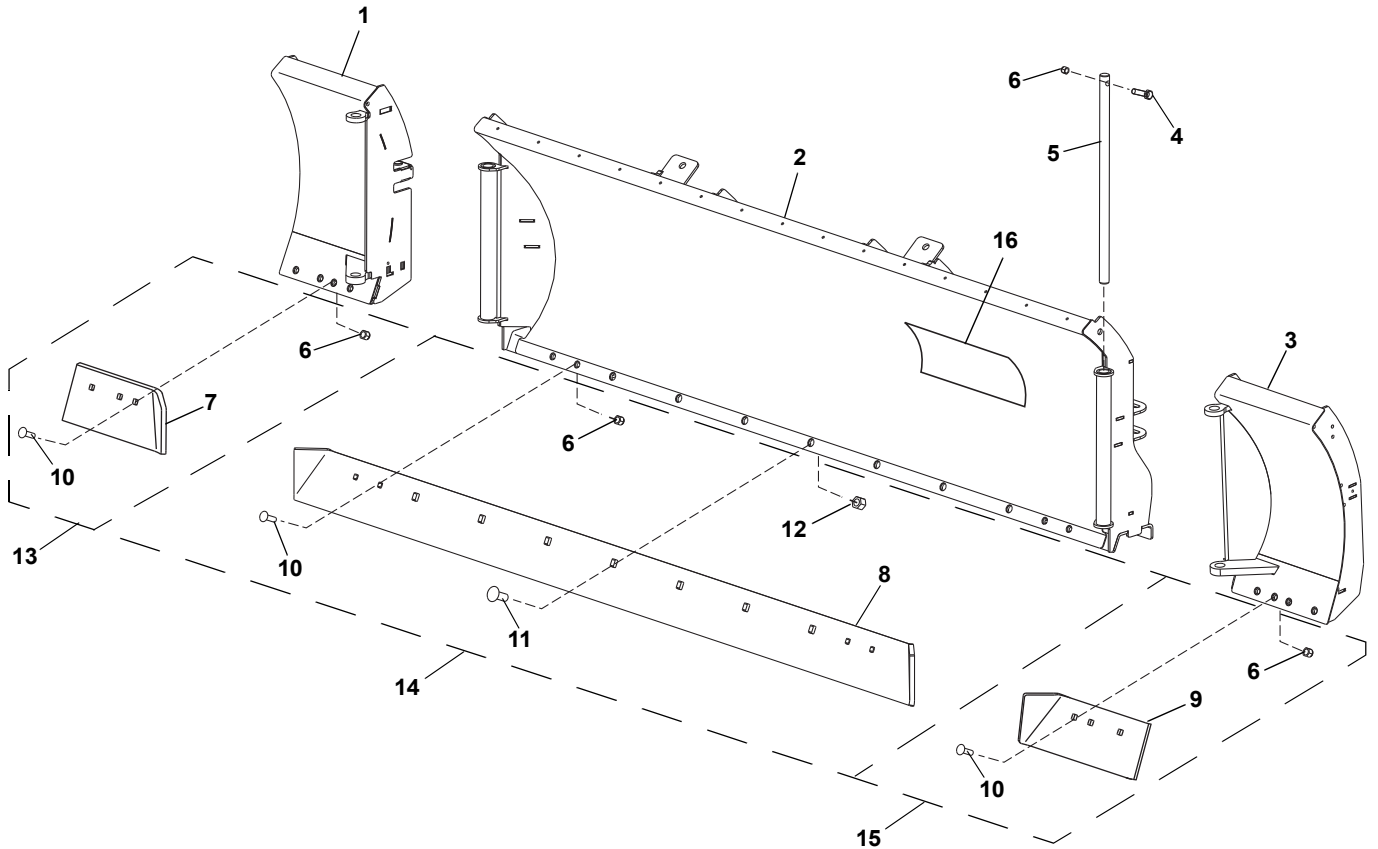
# BLADE - 32 CONTRACTOR



ITEM	PART NO.	DESCRIPTION	QTY
1	96112352	Kit, Blade Guide, Yellow (Includes mounting hardware) .....	1
2		Frame, 102" .....	1
		Frame, 108" .....	1
		Frame, 120" .....	1
3		Decal, Warning .....	2
4	97101835	Decal, Sno-Way .....	1
5	96112728	Kit, Wearstrip, 102" .....	1
	96106308	Kit, Wearstrip, 108" .....	1
	96106309	Kit, Wearstrip, 120" .....	1
6	98009013	Nut, Hex, Nylock, 1/2"-13 .....	11
7	98100481	Bolt, Carriage, 1/2"-13 x 1-3/4" .....	11
8	96113251	Shoe Assembly .....	2

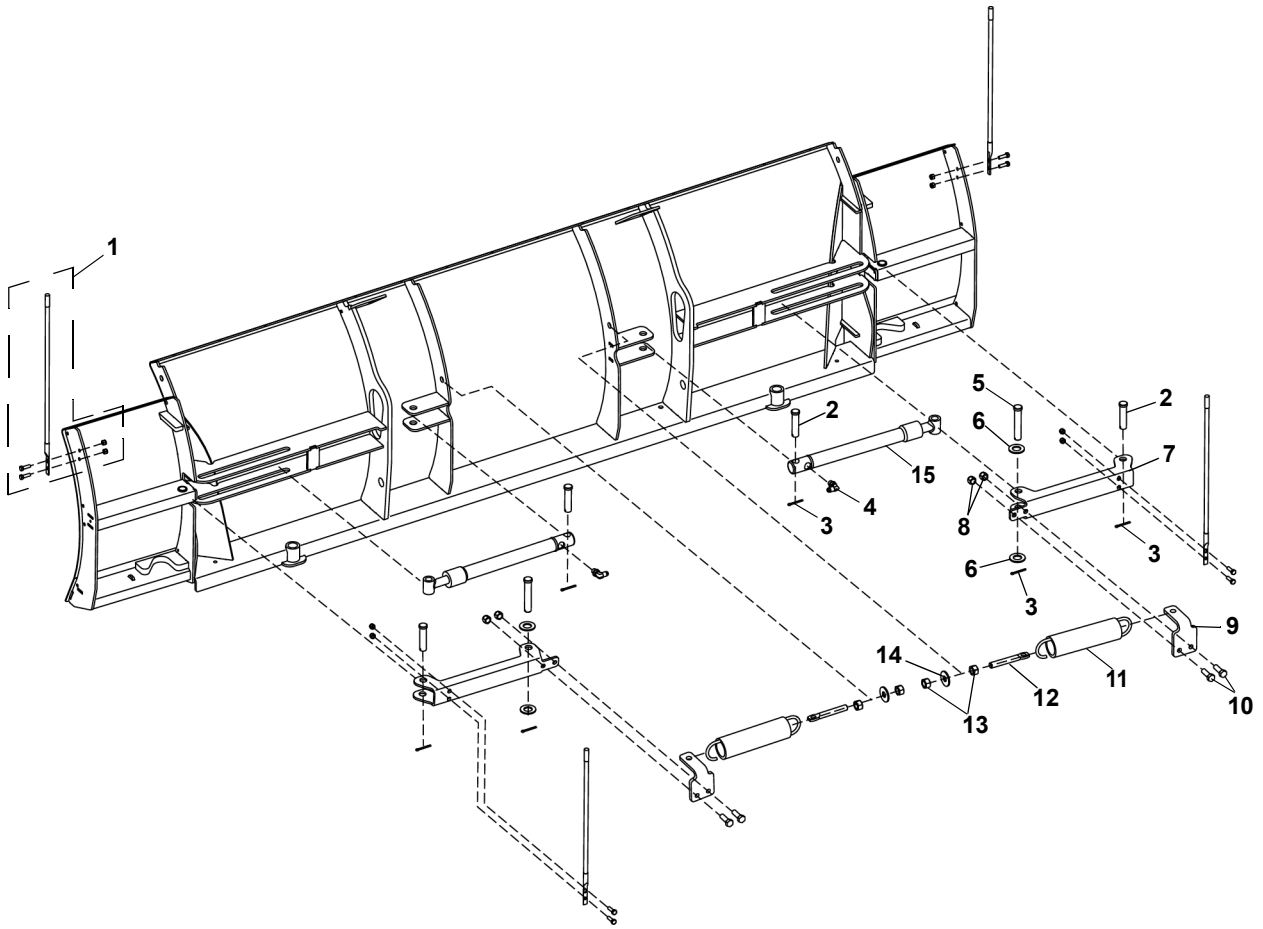


# BLADE - REVOLUTION HD (Front)



ITEM	PART NO.	DESCRIPTION	QTY
1	96118291	Wing, Revolution HD, PS.....	1
2		Weldment, Main Blade, Revolution HD .....	1
3	96118292	Wing, Revolution HD, DS .....	1
4	98100010	Cap Screw, Hex Head, 1/2"-13 x 2".....	2
5	96114097	Pin, Hinge, Revolution HD .....	2
6	98009013	Locknut, Nylon Insert, 1/2"-13.....	12
7		Wearstrip, Revolution HD, PS .....	1
8		Wearstrip, Main, Revolution HD .....	1
9		Wearstrip, Revolution HD, DS .....	1
10	98100481	Carriage Bolt, 1/2"-13 x 1-3/4" .....	10
11	98100482	Carriage Bolt, 3/4"-10 x 1-3/4" .....	7
12	98009003	Locknut, Nylon Insert, 3/4"-10.....	7
13	96118595	Kit, Wearstrip, Revolution HD, PS (Includes items #6, 7 & 10) .....	1
	96114425	Kit, Wearstrip, Revolution HD, PS, With Built-in Curb Guard, (Includes items #6, 7 & 10) Limited Availability .....	1
14	96114426	Kit, Wearstrip, Revolution HD, Main (Includes items #6, 8, 10, 11, 12).....	1
15	96118594	Kit, Wearstrip, Revolution HD, DS (Includes items #6, 9 & 10) .....	1
	96114424	Kit, Wearstrip, Revolution HD, DS, With Built-in Curb Guard, (Includes items #6, 9 & 10) Limited Availability .....	1
16	97101835	Decal, Sno-Way .....	1

# BLADE - REVOLUTION HD (Rear) WING FOLD MECHANISM/GUIDES

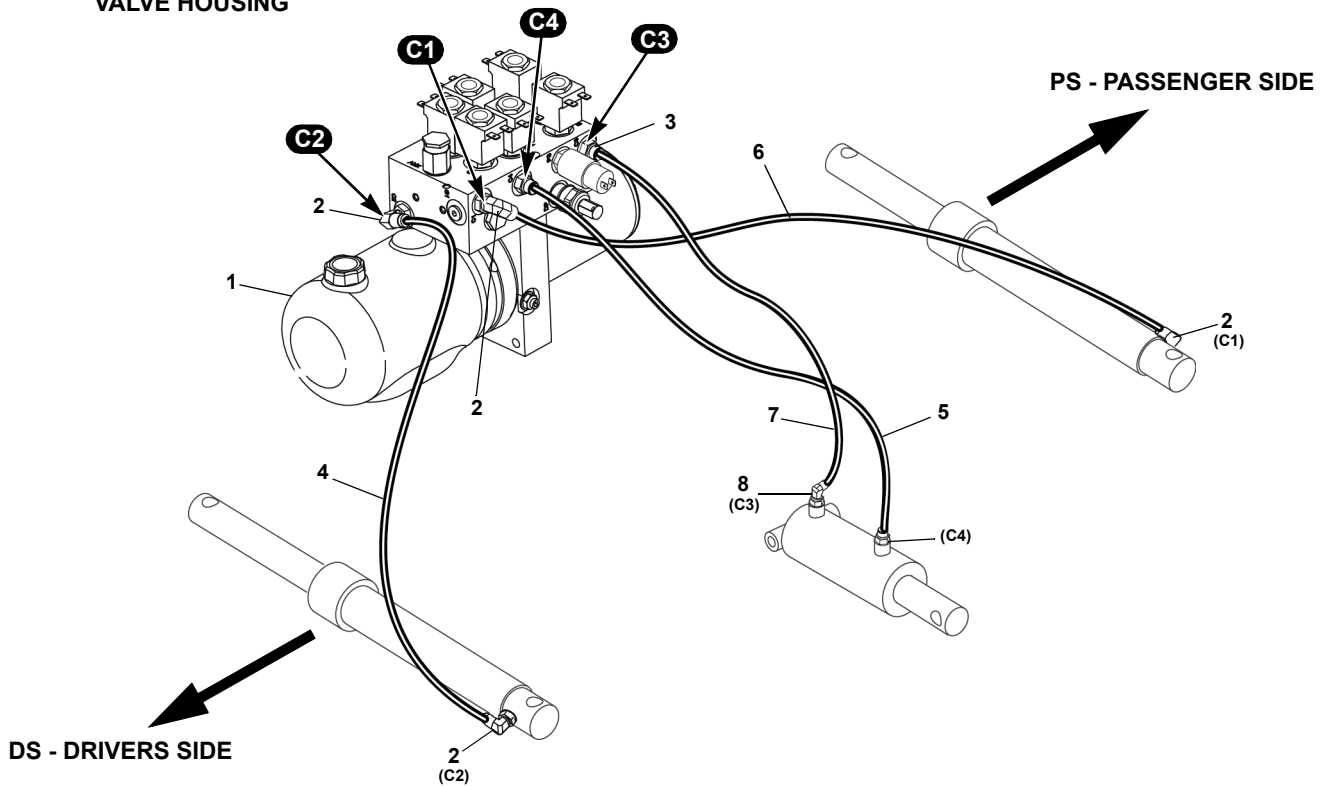


ITEM	PART NO.	DESCRIPTION	QTY
1	96112352	Kit, Blade Guide, Yellow (Includes 2 guides & hardware) .....	4
2	98100040	Clevis Pin, 3/4" x 3" .....	4
3	98009085	Cotter Pin, 5/32" x 1-1/2" .....	6
4	96100001	Fitting, Elbow, 90° .....	2
5	98100007	Clevis Pin, 3/4" x 4" .....	2
6	98009030	Washer, Flat, 3/4" .....	4
7	96114084	Link .....	2
8	98009013	Locknut, Nylon Insert, 1/2"-13 .....	4
9	96114085	Bracket, Spring Retainer, Revolution HD .....	2
10	98009010	Cap Screw, Hex Head, 1/2"-13 x 1-1/2" .....	4
11	96110881	Spring Return, Wing, Revolution HD .....	2
12	96102781	Bolt, Spade, 5/8"-11 x 4.97" .....	2
13	98009078	Nut, 5/8"-11 .....	4
14	98009039	Washer, Flat, 5/8" .....	2
15	96112070	Cylinder, Wing, 1" x 11-7/8" .....	2

# NOTES

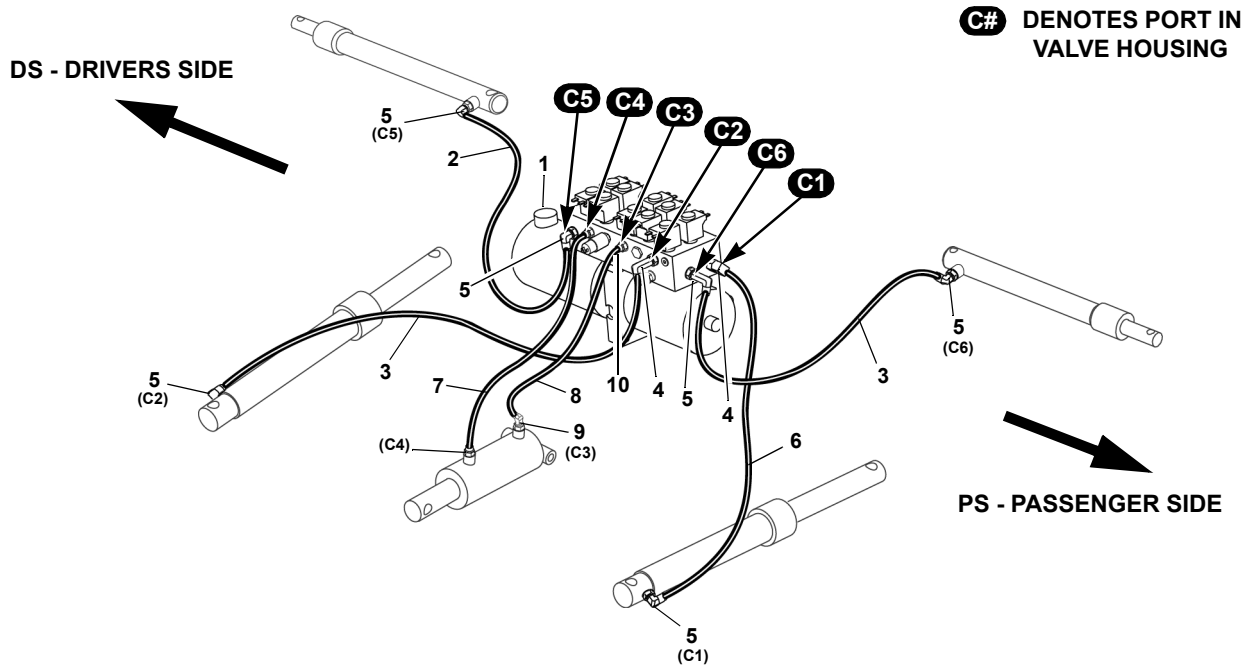
# HYDRAULIC SYSTEM - 32 CONTRACTOR

**C#** DENOTES PORT IN VALVE HOUSING



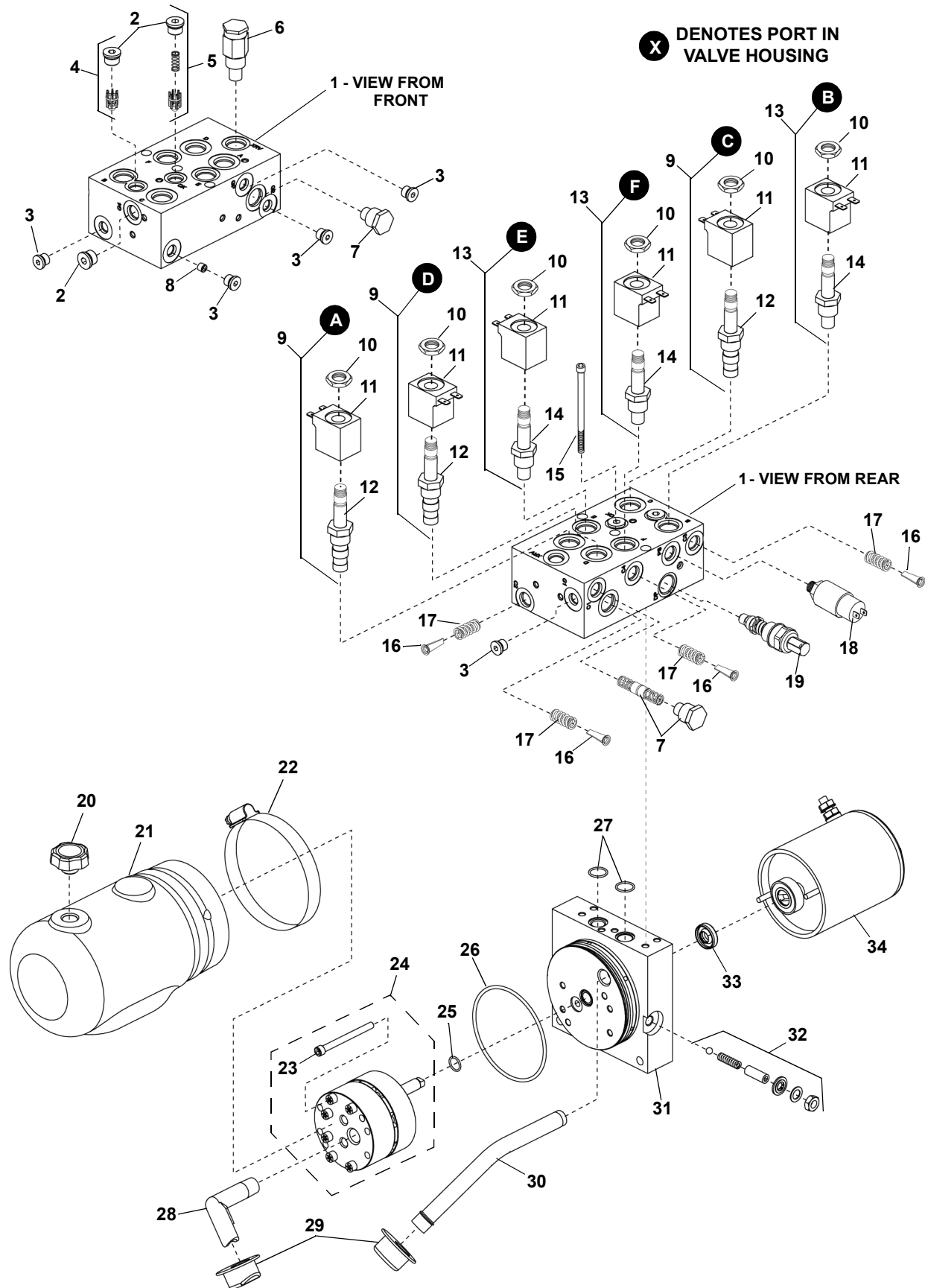
ITEM	PART NO.	DESCRIPTION	QTY
1		Power Unit, DP (See Page 13 for parts breakdown).....	1
2	96100001	Fitting, Elbow, 90° .....	4
3	96100000	Fitting, Straight .....	1
4	96113791	Hose, Hydraulic, 27-1/2".....	1
5	96106069	Hose, Hydraulic, 18-3/4".....	1
6	96106071	Hose, Hydraulic, 32" .....	1
7	96112923	Hose, Hydraulic, 20" .....	1
8	96100003	Fitting, Elbow, 45° .....	1

# HYDRAULIC SYSTEM - REVOLUTION HD



ITEM	PART NO.	DESCRIPTION	QTY
1		Power Unit (See Page 15 for parts breakdown) .....	1
2	96114395	Hose, Hydraulic, 37", DS (Valve port #C5) .....	1
3	96106071	Hose, Hydraulic, 32", PS (Valve port #C6 & C2) .....	2
4	96112893	Fitting, Elbow, 90°, Double Length .....	2
5	96100001	Fitting, Elbow, 90° .....	6
6	96100004	Hose, Hydraulic, 24" (Valve port #C1) .....	1
7	96106069	Hose, Hydraulic, 18-3/4" (Valve port #C4) .....	1
8	96112923	Hose, Hydraulic, 20" (Valve port #C3) .....	1
9	96100003	Fitting, Elbow, 45° .....	1
10	96100000	Fitting, Straight .....	1

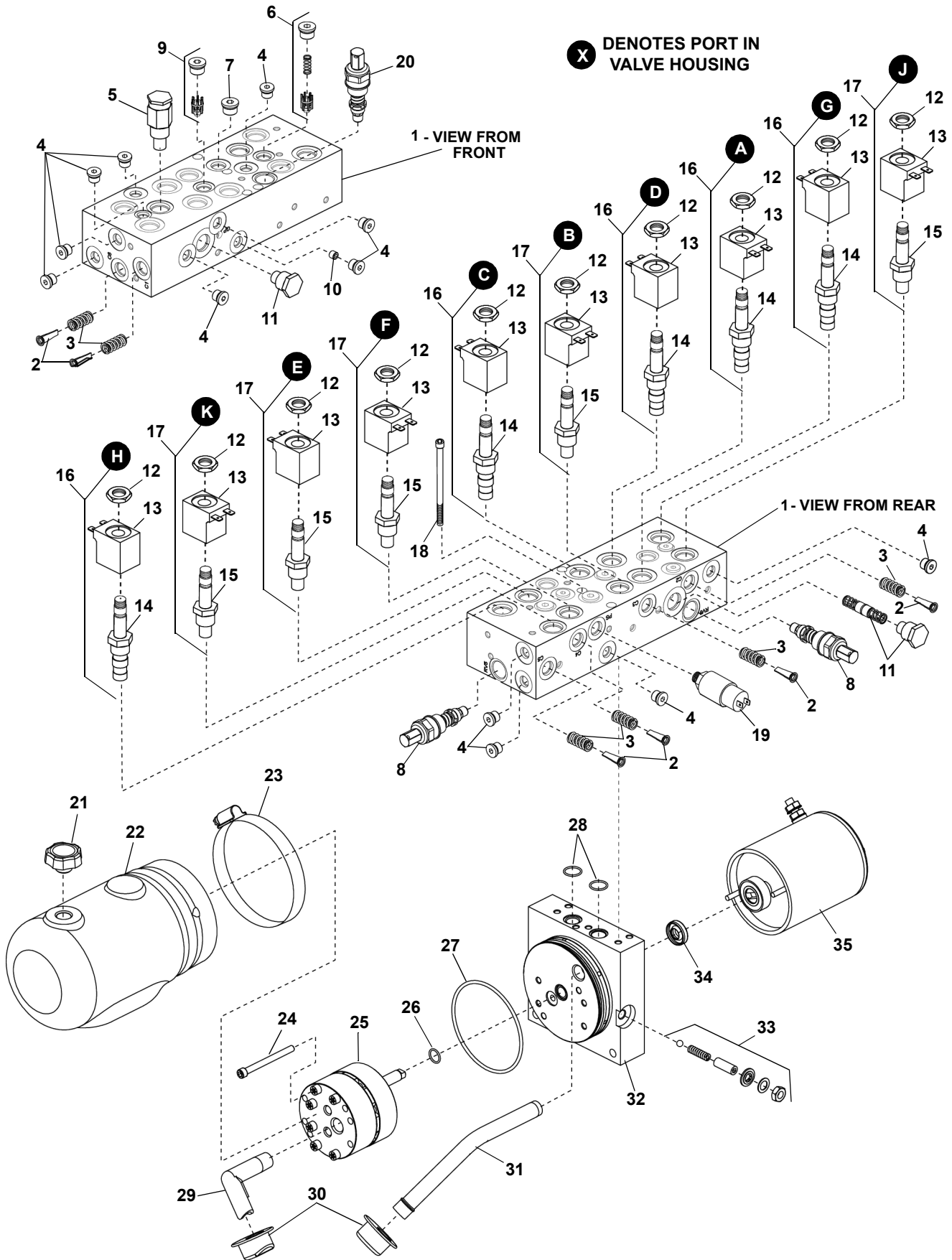
# HYDRAULIC POWER UNIT - 32 CONTRACTOR



# HYDRAULIC POWER UNIT - 32 CONTRACTOR

ITEM	PART NO.	DESCRIPTION	QTY
1		Housing, Valve .....	1
2	96105234	Plug, SAE O-Ring, 7/16"-20.....	5
3	96105240	Plug, SAE O-Ring, 9/16"-18.....	3
4	96114438	Poppet, Check (Float circuit - Without spring) .....	1
5	96114413	Kit, Poppet Check and Spring.....	1
6	96106417	Valve, Relief, Crossover (2400 psi).....	1
7	96112948	Kit, Check Valve (Includes 2 check valves, piston assembly and 2 springs per kit).....	1
8	96105255	Plug, Orifice, 0.093 dia.....	1
	96108627	Kit, Orifice (To adjust drop rate) .....	1
9	96112584	Kit, Valve Cartridge (Includes 10, 11, 12).....	3
10	96105275	Nut, Coil, Parker.....	6
11	96111171	Coil, 10 VDC .....	6
12	96108324	Cartridge, 3W/2P .....	3
13	96112583	Kit, Valve Cartridge (Includes 10, 11, 14).....	3
14	96108325	Cartridge, 2W/2P, NC, POPPET .....	3
15	96105237	Screw, Socket Head, 1/4"-20 x 3" .....	3
16	96105250	Filter Screen, Pressure Ports.....	4
17	96105251	Spring, Retaining, Port Filter .....	4
18	96100311	Switch, Pressure (525 psi).....	1
19	96114408	Valve, Relief, Down Pressure (680-720 psi) .....	1
20	96105244	Plug, Breather .....	1
21	96105241	Reservoir, Plastic .....	1
22	96105231	Clamp.....	1
23		SHCS .....	4
24	96107803	Pump Assembly (Includes item 23) .....	1
25	96105316	O-Ring, 1/2" x 5/8" x 1/16" .....	1
26	96105315	O-Ring, 3-5/8" x 3-7/8" x 1/8" .....	1
27	96105314	O-Ring, 5/8" x 3/4" x 1/16" .....	2
28	96105246	Tube, Suction, 90°, 3/8" NPT .....	1
29	96105245	Filter Screen.....	2
30	96114440	Tube, Return, 45°, 3/8" NPT .....	1
31		Base, Pump .....	1
32	96105313	Kit, System Relief Valve.....	1
33	96105317	Seal, Shaft .....	1
34	96105233	Motor, 12VDC .....	1

# HYDRAULIC POWER UNIT - REVOLUTION HD

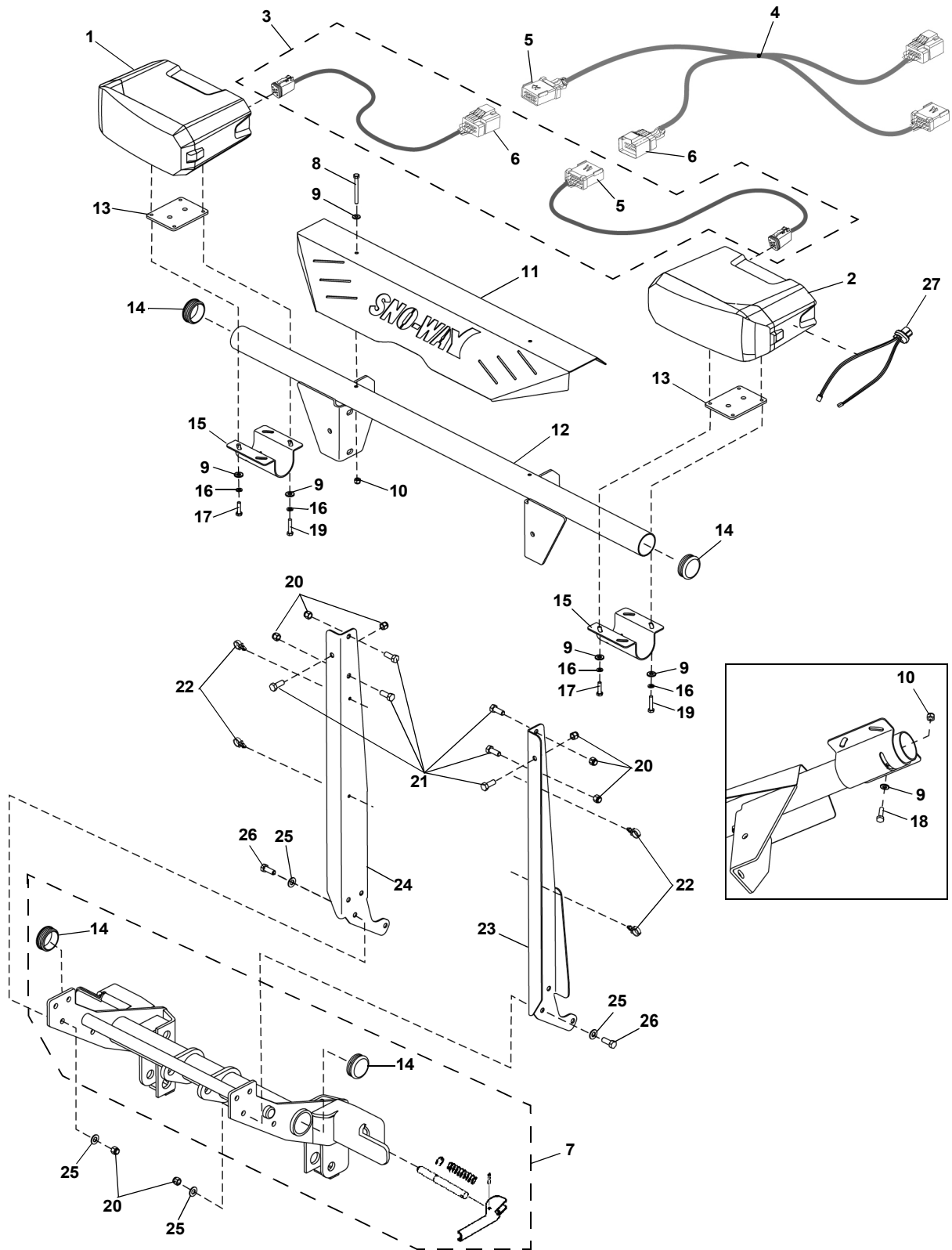




# HYDRAULIC POWER UNIT - REVOLUTION HD

ITEM	PART NO.	DESCRIPTION	QTY
1		Housing, Valve .....	1
2	96105250	Filter Screen, Pressure Ports.....	6
3	96105251	Spring, Retaining, Port Filter.....	6
4	96105234	Plug, SAE O-Ring, 7/16"-20.....	12
5	96114412	Valve, Relief, Crossover (2500 psi).....	1
6	96114413	Poppet, Check (With spring).....	1
7	96105240	Plug, SAE O-Ring, 9/16"-18.....	3
8	96114411	Valve, Relief, Wing (2150 psi).....	2
9	96114438	Poppet, Check (Float Circuit, Without spring).....	1
10	96106100	Plug, Orifice, #50 .....	1
11	96112948	Kit, Check Valve, Deltrol (Includes 2 Check Valves, 1 Piston Assembly and 2 Springs).....	1
12	96105275	Nut, Coil .....	10
13	96111171	Coil, 10VDC .....	10
14	96108324	Cartridge, 3W/2P, #8, Hi-Flow.....	5
15	96108325	Cartridge, 2W/2P, NC, Poppet .....	5
16	96112584	Kit, Valve, 3-Way, 10VDC (Includes items #12, 13, 14).....	5
17	96112583	Kit, Valve, 2-Way, 10VDC (Includes items #12, 13, 15).....	5
18	96105237	Screw, Socket Head, 1/4"-20 x 2-3/4".....	3
19	96100311	Switch, Pressure (525 psi).....	1
20	96114408	Valve, Relief, Down Pressure (680-720 psi) .....	1
21	96105244	Plug, Breather .....	1
22	96105241	Reservoir, Plastic .....	1
23	96105231	Clamp .....	1
24		SHCS.....	4
25	96105735	Pump Assembly .....	1
26	96105316	O-Ring, 1/2" x 5/8" x 1/16" .....	1
27	96105315	O-Ring, 3-5/8" x 3-7/8" x 1/8".....	1
28	96105314	O-Ring, 5/8" x 3/4" x 1/16" .....	2
29	96105737	Tube, Suction, 90°, 3/8" NPT .....	1
30	96105245	Filter Screen .....	2
31	96114440	Tube, Return, 45°, 3/8" NPT .....	1
32		Base, Pump .....	1
33	96105313	Kit, System Relief Valve.....	1
34	96105317	Seal, Shaft .....	1
35	96115554	Motor, 12VDC, 4.5".....	1

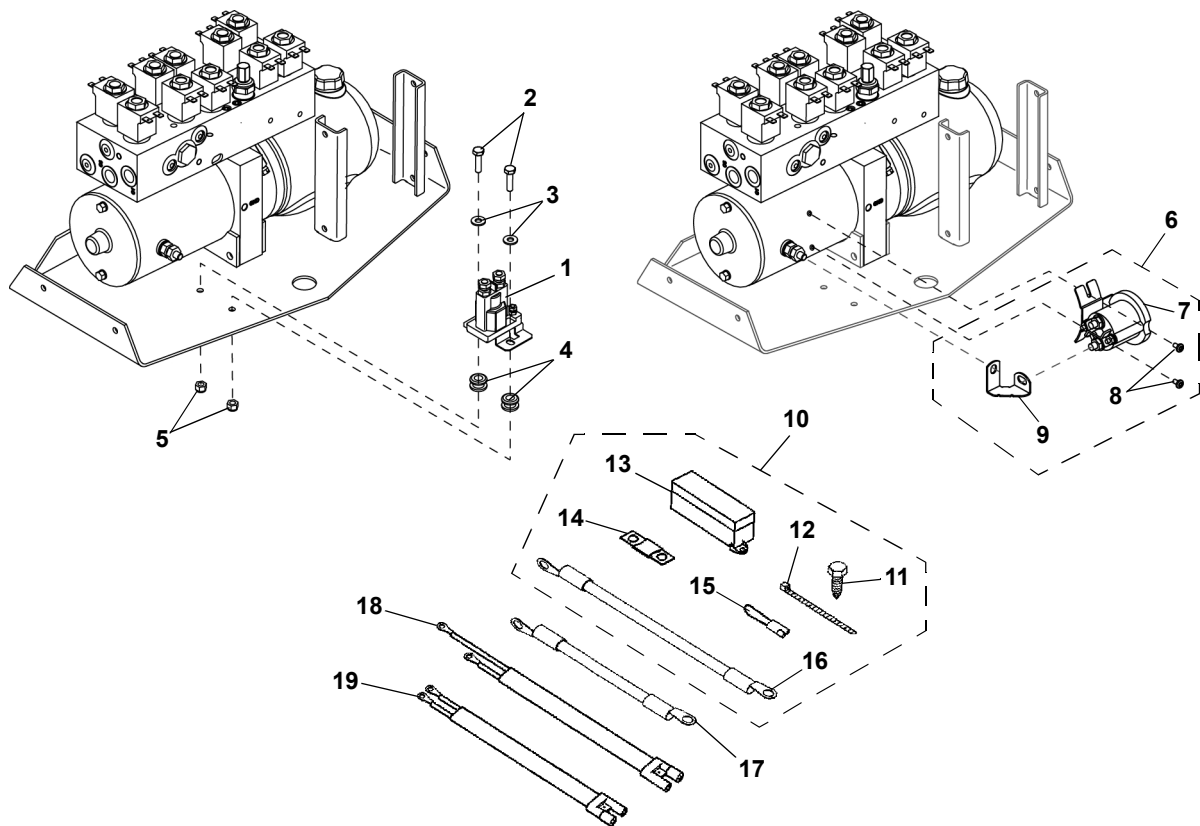
# AUXILIARY LIGHTS

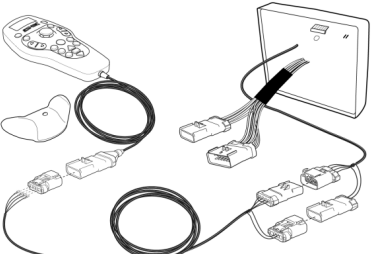


# AUXILIARY LIGHTS

ITEM	PART NO.	DESCRIPTION	QTY
1	96113768	Light Assembly, Composite, PS, EIS.....	1
2	96113767	Light Assembly, Composite, DS, EIS.....	1
3	96110260	Kit, Harness, Plow Light, EIS.....	1
4	96115630	Harness, Main Light, EIS.....	1
5	96108116	Connector, Male.....	2
6	96108117	Connector, Female.....	2
7	96114252	Assembly, Light/Lift Bar, Quick-Attach.....	1
8	98100049	Capscrew, Hex, 1/4"-20 x 2-1/2", SS.....	2
9	98100240	Washer, Flat, 1/4", SS.....	12
10	98100336	Nut, Hex, Nylock, 1/4"-20, SS.....	2
11	96113645	Plate, Sno-Way, Front.....	1
12	96113690	Weldment, Upper Light Bar.....	1
13	96113649	Isolator, Rubber.....	2
14	96108873	End Cap, 2".....	4
15	96113583	Bracket, Light Assembly.....	2
16	98009226	Washer, Lock, 1/4", SS.....	4
17	98100129	Capscrew, Hex, 1/4"-20 x 1", SS.....	4
18	98100343	Capscrew, Hex, 1/4"-20 x 7/8", SS.....	2
19	98100335	Capscrew, Hex, 1/4"-20 x 1-1/4", SS.....	4
20	98009009	Nut, Hex, Nylock, 3/8"-16.....	14
21	98009022	Capscrew, Hex, 3/8"-16 x 1".....	6
22	96100440	Clip, Rosebud.....	4
23	96113693	Support, DS.....	1
24	96113694	Support, PS.....	1
25	98009032	Washer, Flat, 3/8".....	16
26	98009034	Capscrew, Hex, 3/8"-16 x 1-1/4".....	8
27	96115629	Kit, Repair, Light Harness (Internal).....	1

# POWER PACK WIRING





**NOTE: See manual 97101915 - Snow Plow and Spreader Controls, for parts breakdown and details on your specific control. Image is only a representation of a controller and may not reflect actual product.**

ITEM	PART NO.	DESCRIPTION	QTY
1	96002086	Switch, Solenoid (Platform mounted) .....	1
2	98009027	Capscrew, Hex, 1/4"-20 x 1" .....	2
3	98100254	Washer, Flat, 1/4" .....	2
4	96105282	Grommet, 3/8" ID.....	2
5	98100255	Nut, Hex, Nylock, 1/4"-20 .....	2
6	96115528	Kit, Solenoid Switch (Includes items 7-9).....	1
7	96115526	Switch, Solenoid (Motor mounted) .....	1
8	98100559	TPHS, #10-32 x 5/16".....	2
9	96115527	Strap, Copper .....	1
10	96105167	Bag, Power Harness Parts .....	1
11	98100037	Screw, Self-Tapping, #10-16 x 1" .....	2
12		Strap, Tie, Plastic.....	2
13	96109143	Fuse Holder .....	1
14	96109142	Fuse, 250 amp .....	1
15	96105082	Cap, Protective.....	2
16	96102891	Cable, Power.....	1
17	96105273	Harness, Solenoid - HT Series.....	1
18	96104230	Harness, Plow Power .....	1
19	96104221	Harness, Battery Power .....	1

# NOTES

# NUMERICAL INDEX

PART NO.	PAGE	ITEM	PART NO.	PAGE	ITEM	PART NO.	PAGE	ITEM
96002086	19	1	96105314	14	27	96112352	7	1
96100000	11	3		16	28		9	1
	12	10	96105315	14	26	96112583	14	13
96100001	9	4		16	27		16	17
	11	2	96105316	14	25	96112584	14	9
	12	5		16	26		16	16
96100003	11	8	96105317	14	33	96112728	7	5
	12	9		16	34	96112891	6	49
96100004	12	6	96105735	16	25	96112893	12	4
96100311	14	18	96105737	16	29	96112923	11	7
	16	19	96106069	11	5		12	8
96100440	18	22		12	7	96112948	14	7
96102781	6	50	96106071	11	6		16	11
	9	12		12	3	96113251	7	9
96102891	19	16	96106077	4	35	96113426	4	1
96104221	19	19	96106100	16	10	96113583	18	15
96104230	19	18	96106184	6	55	96113645	18	11
96105082	19	15	96106308	7	5	96113649	18	13
96105167	19	10	96106309	7	5	96113690	18	12
96105231	14	22	96106417	14	6	96113693	18	23
	16	23	96106540	4	31	96113694	18	24
96105233	14	34	96107128	4	6	96113767	18	2
96105234	14	2	96107130	4	8	96113768	18	1
	16	4	96107329	4	9	96113791	11	4
96105237	14	15	96107346	4	32	96113957	4	15
	16	18	96107711	6	63	96113978	4	17
96105240	14	3	96107767	4	38	96114010	4	42
	16	7	96107768	4	38	96114065	4	40
96105241	14	21	96107803	14	24	96114084	9	7
	16	22	96108116	18	5	96114085	9	9
96105244	14	20	96108117	18	6	96114097	8	5
	16	21	96108324	14	12	96114241	4	44
96105245	14	29	96108325	14	14	96114252	4	4
	16	30	96108627	14	8		18	7
96105246	14	28	96108873	4	5	96114280	4	39
96105250	14	16		18	14	96114395	12	2
	16	2	96109142	19	14	96114404	4	34
96105251	14	17	96109143	19	13	96114408	14	19
	16	3	96110260	18	3		16	20
96105255	14	8	96110881	9	11	96114411	16	8
96105273	19	17	96111171	14	11	96114412	16	5
96105275	14	10		16	13	96114413	14	5
	16	12	96112070	9	15		16	6
96105282	19	4						
96105313	14	32						
	16	33						

# NUMERICAL INDEX

PART NO.	PAGE	ITEM	PART NO.	PAGE	ITEM	PART NO.	PAGE	ITEM
96114424	8	15	98009085	4	13			
96114425	8	13		9	3			
96114426	8	14	98009150	6	54			
96114438	14	4	98009226	18	16			
	16	9	98009230	6	61			
96114440	14	30	98019176	6	62			
	16	31	98100007	4	41			
96114473	4	12		9	5			
96115526	19	7	98100010	8	4			
96115527	19	9	98100037	19	11			
96115528	19	6	98100040	4	36			
96115554	16	35		9	2			
96115629	18	27	98100049	18	8			
96115630	18	4	98100062	4	23			
96117876	4	22	98100129	18	17			
96118291	8	1	98100172	4	19			
96118292	8	3	98100176	4	20			
96118594	8	15		7	8			
96118595	8	13	98100240	18	9			
97101835	7	4	98100254	19	3			
	8	16	98100255	6	57			
98009003	8	12		19	5			
98009005	4	47	98100264	6	53			
98009009	6	60	98100266	6	56			
	18	20	98100294	4	45			
98009010	9	10	98100312	4	7			
98009013	4	25	98100313	4	11			
	7	6	98100335	18	19			
	8	6	98100336	18	10			
	9	8	98100343	18	18			
98009022	18	21	98100433	4	46			
98009027	19	2	98100481	7	7			
98009030	4	14		8	10			
	9	6	98100482	8	11			
98009032	4	29	98100498	4	43			
	6	59	98100499	4	16			
	18	25	98100500	4	18			
98009034	6	58	98100509	4	33			
	18	26	98100559	19	8			
98009039	6	51						
	9	14						
98009069	4	48						
98009078	6	52						
	9	13						

---

**SNO-WAY<sup>®</sup> INTERNATIONAL, INC.**

**SNO-WAY<sup>®</sup>**  
**SNOW & ICE CONTROL EQUIPMENT**

Hartford, WI 53027 USA  
Website: [www.snoway.com](http://www.snoway.com)  
©2023 Sno-Way<sup>®</sup> International