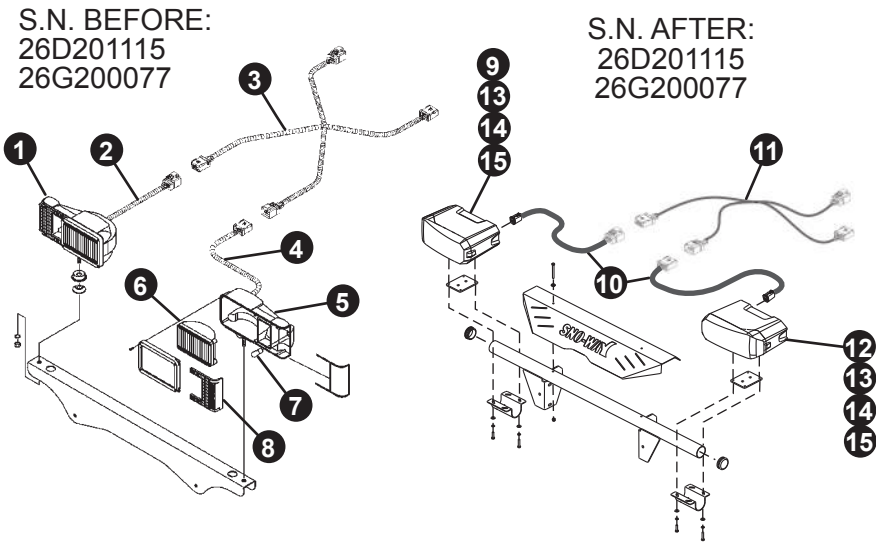


PLOW LIGHTING

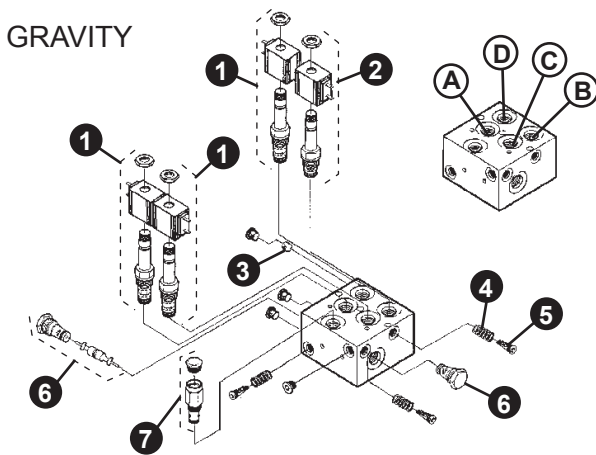
| REF. NO. | DESCRIPTION | PART NO. |
|------------|-----------------------------|----------|
| 1 | Light Assy, PS, EIS | 96107984 |
| 2 | Harness, Plow Light, PS | 96107986 |
| 3 | Harness, Main Light | 96107984 |
| 4 | Harness, Plow Light, DS | 96107985 |
| 5 | Light Assy, DS, EIS | 96107983 |
| 6 | Lamp, Sealed Beam | 96100514 |
| 7 | Lamp, Park and Turn | 96003060 |
| 8 | Lense, Turn Signal | 96106692 |
| 9 | Light Assy, Comp, PS | 96113768 |
| 10 | Harness Kit, Plow Lights | 96110260 |
| 11 | Harness, Main Light | 96110260 |
| 12 | Light Assy, Comp, PS | 96113767 |
| NOT SHOWN: | | |
| 13 | Lamp, Park & Turn, 1157NA | ---- |
| 14 | Lamp, Low Beam, H7 12V 55W | ---- |
| 15 | Lamp, High Beam, H1 12V 55W | ---- |



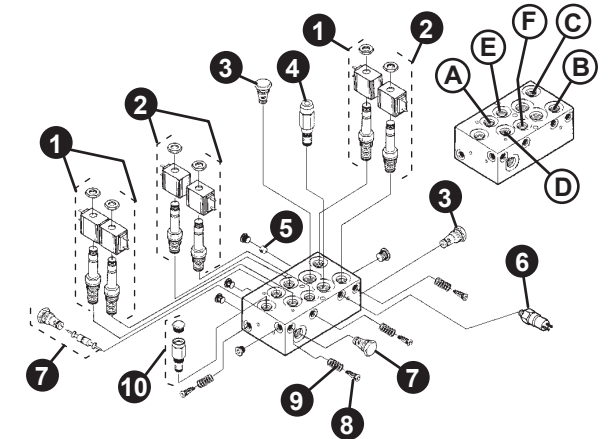
POWER PACK UNITS

| REF. NO. | DESCRIPTION | PART NO. |
|--|---|----------|
| GRAVITY | | |
| 1 | Kit, Valve, 3-Way, 10VDC (Black) | 96112584 |
| 2 | Kit, Valve, 3-Way, 10VDC (Blue) | 96102583 |
| 3 | Fitting, Orifice | 96105255 |
| 4 | Kit, Orifice (To Adjust Drop Rate) | 96108627 |
| 5 | Spring, Retaining | 96105251 |
| 6 | Screen, Inline | 96105250 |
| 7 | Kit, Check Valve (Includes 2 valves, Piston Assembly & 2 Springs) | 96112948 |
| 8 | Valve, Relief, Cross Over | 96105243 |
| DOWN PRESSURE SN 26D202104 & Before | | |
| 1 | Kit, Valve, 3-Way, 10VDC (Black) | 96112584 |
| 2 | Kit, Valve, 3-Way, 10VDC (Blue) | 96102583 |
| 3 | Valve, Check | 96105238 |
| 4 | Valve, Relief, DP (460-500 psi) | 96105253 |
| 5 | Fitting, Orifice | 96106103 |
| 6 | Kit, Orifice (To Adjust Drop Rate) | 96108627 |
| 7 | Switch, Pressure (325 psi) | 96101976 |
| 8 | Kit, Check Valve (Includes 2 valves, Piston Assembly & 2 Springs) | 96112948 |
| 9 | Screen, Inline | 96105250 |
| 10 | Spring, Retaining | 96105251 |
| 11 | Valve, Relief, Cross Over | 96105243 |
| DOWN PRESSURE SN 26D204105 & After | | |
| 1 | Poppet, Check (Float Circuit) | 96114438 |
| 2 | Kit, Poppet Check and Spring | 96114413 |
| 3 | Valve, Relief Cartridge (2000psi) | 96105243 |
| 4 | Kit, Check Valve (Includes 2 valves, Piston Assembly & 2 Springs) | 96112948 |
| 5 | Plug, Orifice, 0.0468 | 96105422 |
| 6 | Kit, Orifice (To Adjust Drop Rate) | 96108627 |
| 7 | Kit, Valve, 3-Way, 10VDC (Black) | 96112584 |
| 8 | Kit, Valve, 3-Way, 10VDC (Blue) | 96102583 |
| 9 | Spring, Retaining | 96105251 |
| 10 | Screen, Inline | 96105250 |
| 11 | Switch, Pressure (325 psi) | 96101976 |
| 12 | Valve, Relief, DP (460-500 psi) | 96114446 |

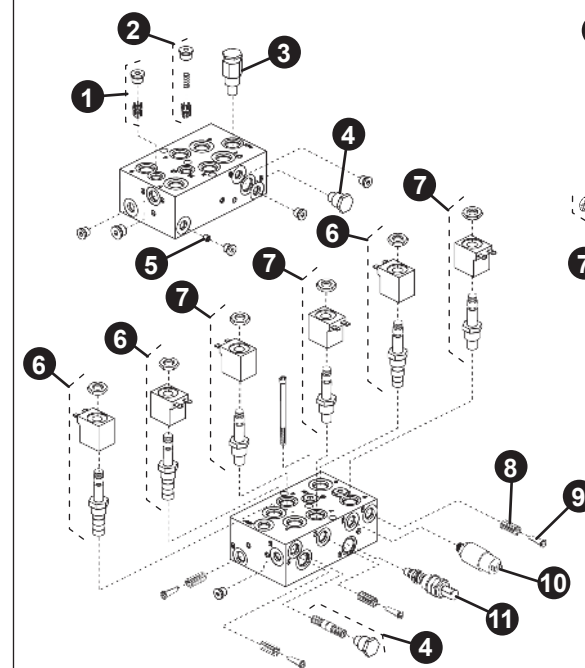
GRAVITY



DOWN PRESSURE SN 26D2012104 & Before

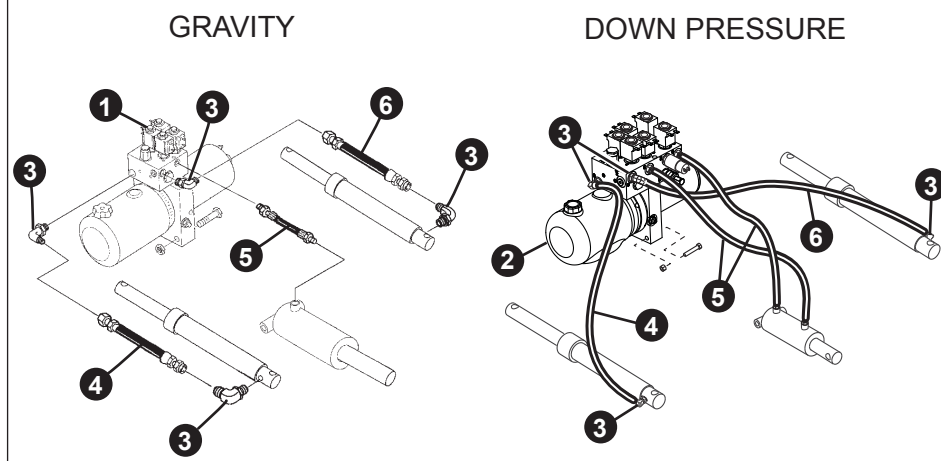


DOWN PRESSURE SN 26D204105 & After



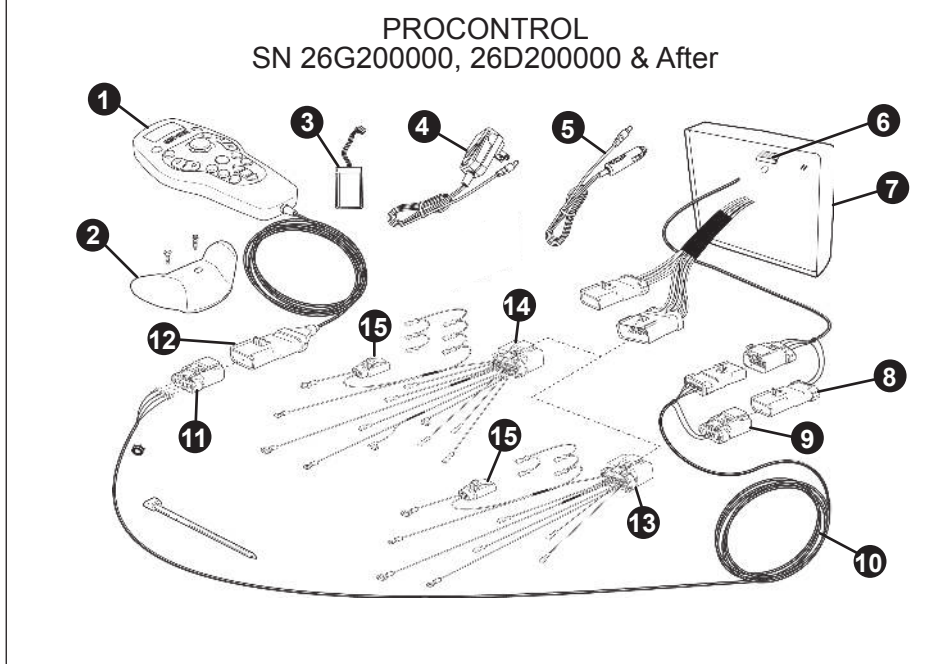
HYDRAULICS

| REF. NO. | DESCRIPTION | PART NO. |
|----------|---------------------------|----------|
| 1 | Power Unit, Gravity | |
| 2 | Power Unit, Down Pressure | |
| 3 | Fitting, Elbow, 90° | 96100001 |
| 4 | Hose, Hyd. 27-1/2", PS | |
| | *S/N 26G00150 & Before | 96106070 |
| | S/N 26G00151 & After | 96113791 |
| | *S/N 26D204105 & Before | 96106071 |
| | S/N 26D204106 & After | 96103791 |
| 5 | Hose, Hyd. 18-3/4" | 96106069 |
| 6 | Hose, Hyd. 32", DS | 96106071 |
| | *Includes One #3 | |



ELECTRICAL

| REF. NO. | DESCRIPTION | PART NO. |
|----------|-----------------------------|----------|
| 1 | Transmitter, Wired | 96112246 |
| | Transmitter, Wireless | 96112244 |
| 2 | Clip, Dash Mount | 96112259 |
| 3 | Battery, Wireless | 96112258 |
| 4 | Charger, ProControl, 120VAC | 96113316 |
| 5 | Charger, ProControl, 12VDC | 96112376 |
| 6 | Cap, Silicone | 96112985 |
| 7 | Module, Receiver, Wired | 96112998 |
| | Module, Receiver, Wireless | 96112260 |
| 8 | Cap, Storage, Male | 96112872 |
| 9 | Cap, Storage, Female | 96112871 |
| 10 | Harness, Vehicle | 96112913 |
| 11 | Connector, Female 4-Way | 96112300 |
| 12 | Connector, Male, 4-Way | 96112301 |
| 13 | Harness, Down Pressure | 96112193 |
| 14 | Harness, Gravity Down | 96112955 |
| 15 | Fuse, 10A (In Holder) | 96112496 |



HYDRAULIC PUMP ASSEMBLY

| REF. NO. | DESCRIPTION | PART NO. | |
|----------|------------------------------|--------------------------|-------------------------|
| | | GRAVITY | DP |
| 1 | Plug, Breather | 96105244 | 96105244 |
| 2 | Reservoir, Plastic | 96105241 | 96105241 |
| 3 | Clamp | 96105231 | 96105231 |
| 4 | Pump Assembly | 96105248 | *96105248 **96107803 |
| 5 | O-Ring, 3/8" x 3-7/8" x 1/8" | 96105315 | 96105315 |
| 6 | O-Ring, 1/2" x 5/8" x 1/16" | 96105316 | 96105316 |
| 7 | Base Assembly | Not Available Separately | |
| 8 | O-Ring, 5/8" x 3/4" x 1/16" | 96105314 | 96105314 |
| 9 | Seal, Shaft | 96105317 | 96105317 |
| 10 | Motor, 12VDC | 96106802 | 96106802 |
| 11 | Kit, Relief Valve | 96105313 | 96105313 |
| 12 | Tube Assembly, Return | See Plow Parts Manuals | |
| 13 | Filter, Return | See Plow Parts Manuals | |
| 14 | Filter, Suction | 96105245 | 96105245 |
| 15 | Tube, Suction | 96105246 | 96105246 |

* S.N. Before 26D204104 ** S.N. After 26D202105

