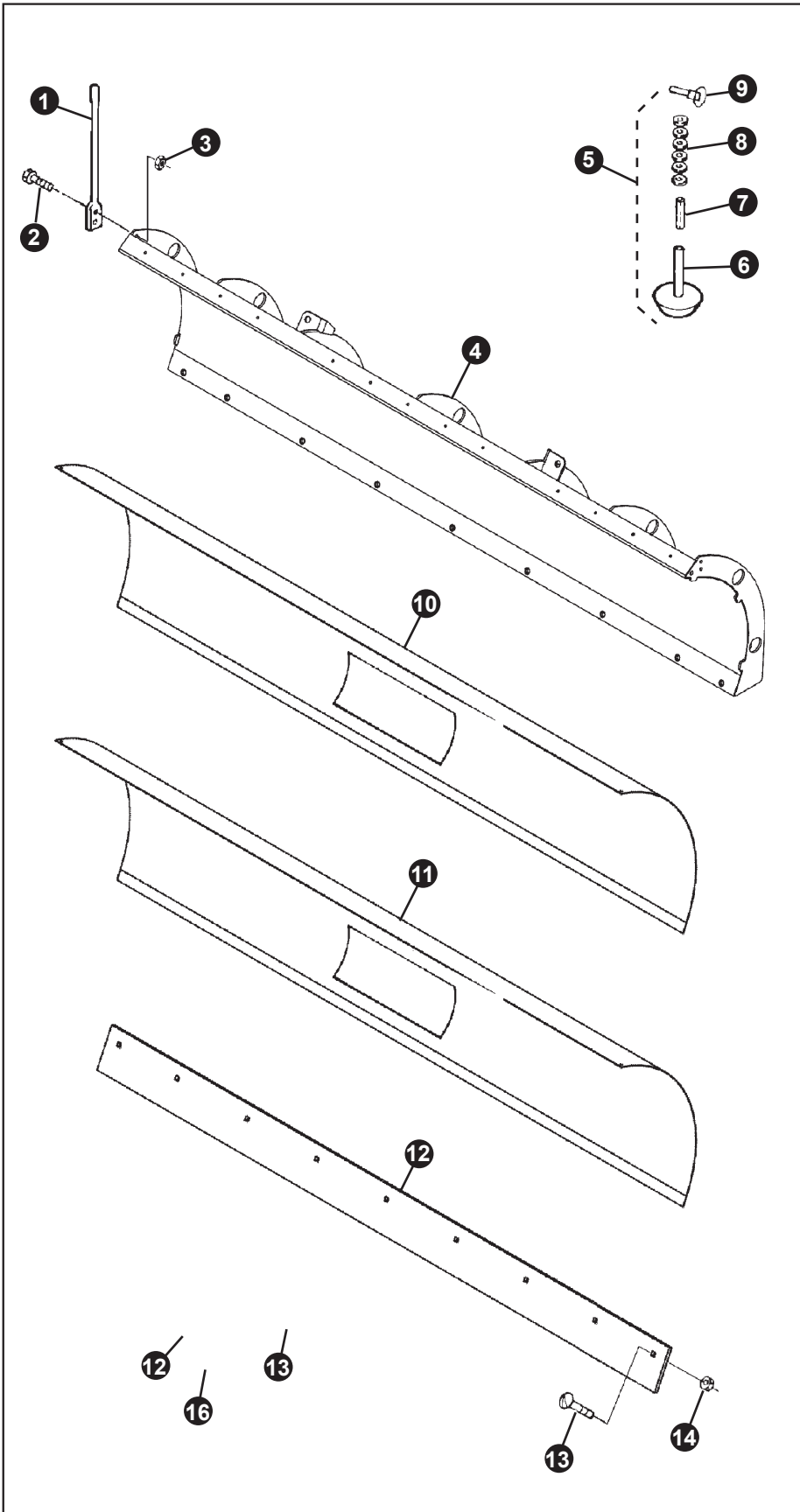


## MECHANICAL PARTS AND ACCESSORIES - 26 SERIES SNOW PLOWS



### BLADE - 26 SERIES

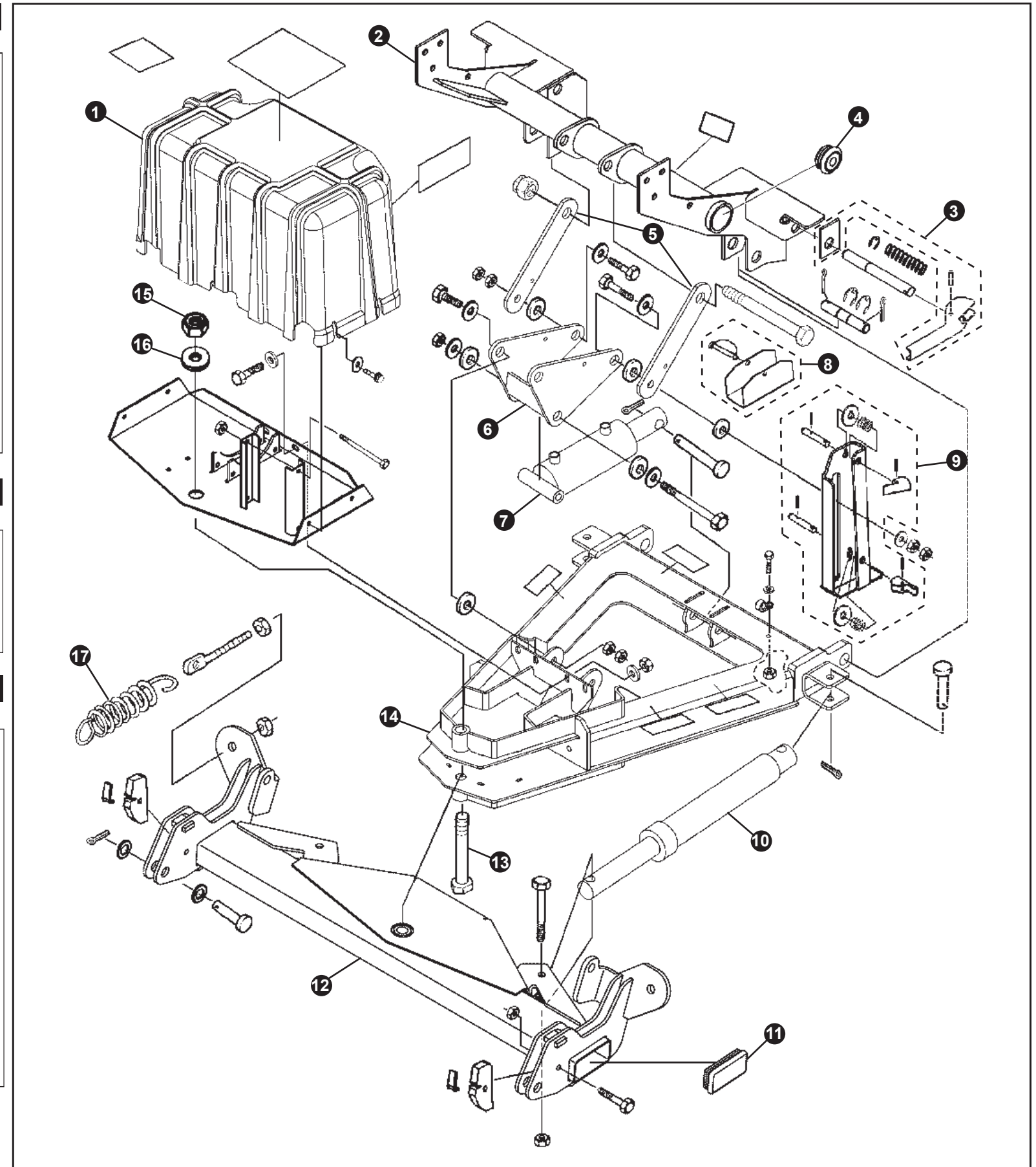
REF NO.	DESCRIPTION	PART NO.
1	Kit, Guide, Blade (Includes two guides and hardware)	96112352
2	Bolt	
3	Locknut	
4	Frame, Moldboard, 80" Frame, Moldboard, 90"	
5	Shoe Assembly (Includes 6,7,8,9)	96102542
6	Shoe, Cast, 3/4" Shaft	
7	Spacer, 1"	
8	Washer, Flat	98009005
9	Pin, Lynch, 1/4" x 1-9/16"	98009169
10	Kit, Skin, Polycarbonate, 80" (Includes "Sno-Way" Decal) (S.N. Before 2680PCS100400)	96107647
	Kit, Skin, Polycarbonate, 90" (Includes "Sno-Way" Decal) (S.N. Before 2690PCS103100)	96107648
11	Kit, Skin, Steel, 80" (Includes "Sno-Way" Decal) (S.N. Before 2680MSS100200)	96107555
	Kit, Skin, Steel, 90" (Includes "Sno-Way" Decal) (S.N. Before 2690MSS101200)	96107557

### WEARSTRIPS - 26 SERIES

REF NO.	DESCRIPTION	PART NO.
12	Kit, Wearstrip, Steel, 80" (Includes #13 & 14)	96107649
	Kit, Wearstrip, Steel, 90" (Includes #13 & 14)	96106668
13	Bolt, Carriage, 1/2"-13 x 1-1/2"	98009171
14	Nut, Hex, Nylock, 1/2"-13	98009013

### FRAME - 26 SERIES

REF NO.	DESCRIPTION	PART NO.
1	Cover, Pump, Gravity	96114511
	Cover, Pump, Down Pressure	96113427
2	Light/Lift Bar, Quick Attach	
3	Kit, Cam Handle	96113472
4	End Cap, 2-1/4"	96108873
5	Link, Lift	96106913
6	Bellcrank	96105618
7	Cylinder, Lift, Gravity	96106076
	Cylinder, Lift, Down Pressure	96106077
8	Clamp, Cylinder Lock, Gravity	96107767
	Clamp, Cylinder Lock, DP	96107768
9	Jackstand Assembly 22/26/29/32	96106605
10	Cylinder, Angle, 1-1/4"	96110952
11	End Cap, 2" x 4"	96108876
12	Frame, Swing, 26 Series	96106148
13	Cap Screw, Hex, 3/4"-10 x 7"	98100325
14	A-Frame, 26 Series	96107513
15	Nut, Hex, 3/4"-10	98100323
16	Washer, Flat, 3/4"	98009030
17	Spring, Trip (26 Series Only)	96001392



**Sno-Way International, Inc.**  
Hartford, Wisconsin 53207  
[www.snoway.com](http://www.snoway.com)