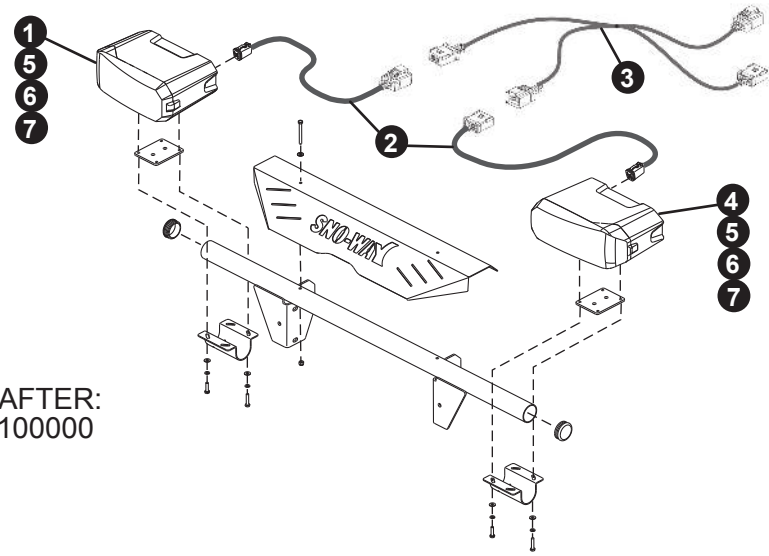


PLOW LIGHTING

REF. NO.	DESCRIPTION	PART NO.
1	Light Assy, Comp , PS	96113768
2	Harness Kit, Plow Lights	96110260
3	Harness, Main Light	96110260
4	Light Assy, Comp , PS	96113767

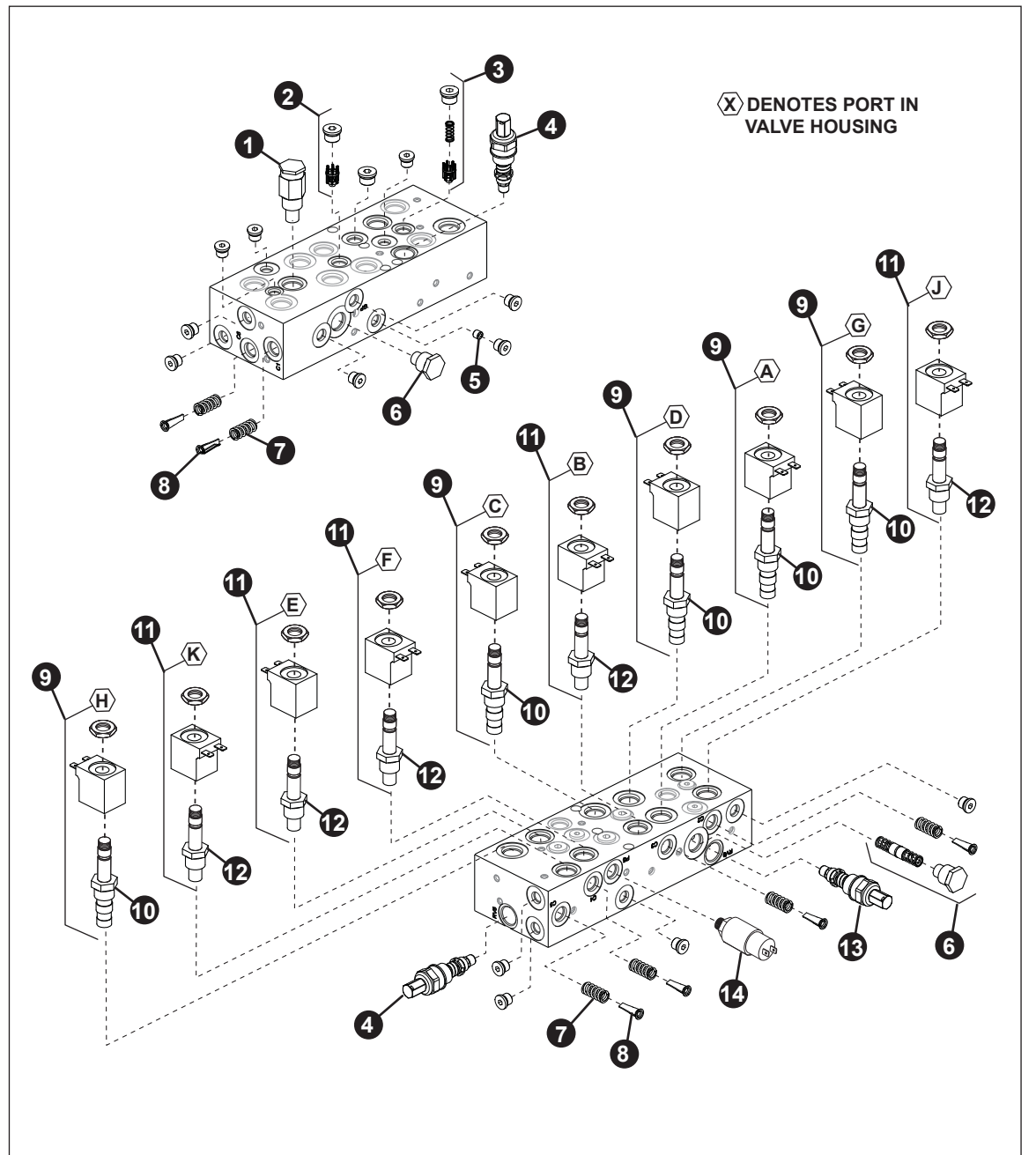
NOT SHOWN:

5	Lamp, Park & Turn, 1157NA	----
6	Lamp, Low Beam, H7 12V 55W	----
7	Lamp, High Beam, H1 12V 55W	----



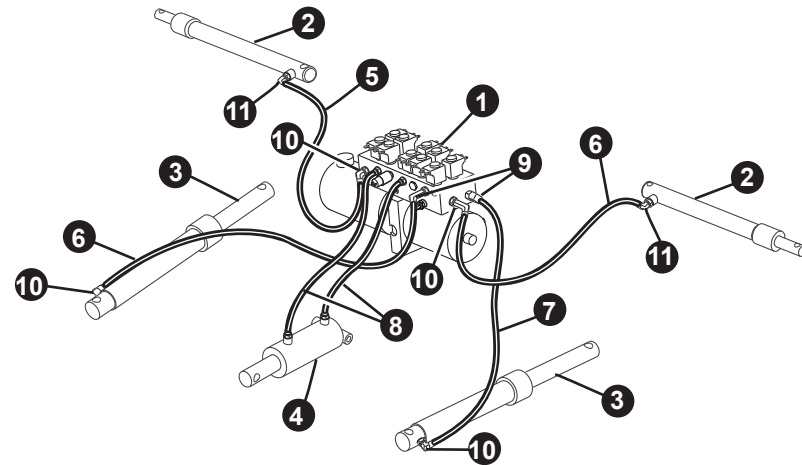
POWER PACK UNITS

REF. NO.	DESCRIPTION	PART NO.
1	Valve, Crossover Relief (2000psi)	96105243
2	Poppet, Check (Float Circuit)	96114438
3	Kit, Poppet Check and Spring	96114413
4	Valve, Relief, Wing (1000 psi)	96114409
5	Plug, Orifice, #50	96106100
6	Kit, Check Valve (Includes 2 valves, Piston Assembly & 2 Springs)	96112948
7	Spring, Retaining	96105251
8	Screen, Inline	96105250
9	Kit, Valve, 3-Way, 10VDC (Black)	96112584
10	Cartridge, 3W/2P, #8, Hi-Flow	96108324
11	Kit, Valve, 2-Way, 10VDC (Blue)	96102583
12	Cartridge, 2W/2P, NC, Poppet	96108325
13	Valve, Relief, DP (460-500 psi)	96114446
14	Switch, Pressure (325 psi)	96101976



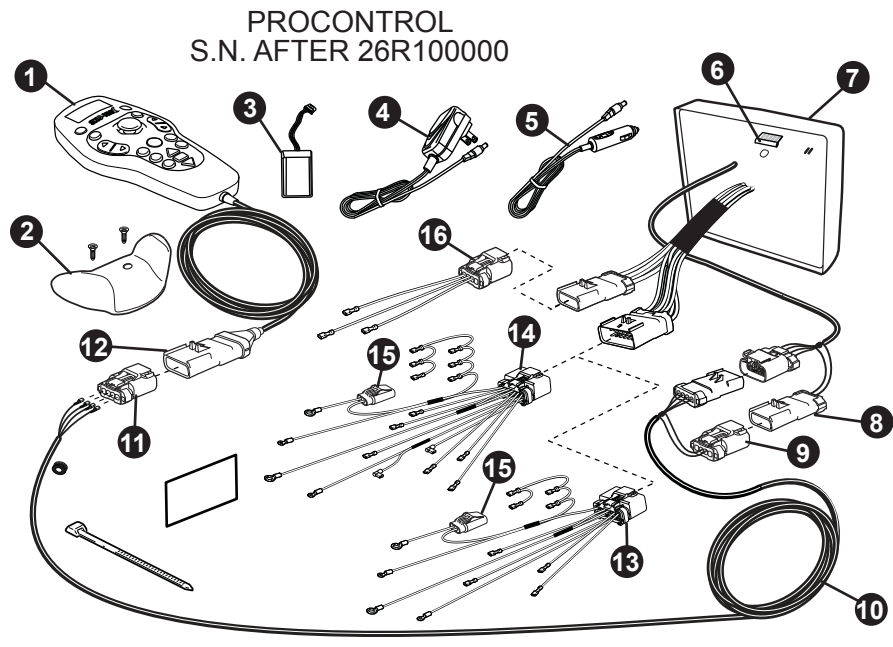
HYDRAULICS

REF. NO.	DESCRIPTION	PART NO.
1	Power Unit	96110951
2	Cylinder, Wing	96110952
3	Cylinder, Swing	96110952
4	Cylinder, Lift, 2-1/2" Dia.	96106077
5	Hose, Hyd. 37" (Valve Port C5)	96114395
6	Hose, Hyd. 32" (Valve Port C2 & C6)	96106071
7	Hose, Hyd. 24" (Valve Port C1)	96100004
8	Hose, Hyd. 18-3/4" (Valve Port C3 & C4)	96106069
9	Fitting, Elbow, 90°, Long	96112893
10	Fitting, Elbow, 90°	96100001
11	Fitting, Elbow, 45°	96100003



ELECTRICAL

REF. NO.	DESCRIPTION	PART NO.
1	Transmitter, Wired	96112246
2	Transmitter, Wireless	96112244
3	Clip, Dash Mount	96112259
4	Battery, Wireless	96112258
5	Charger, ProControl, 120VAC	96113316
6	Cap, Silicone	96112985
7	Module, Receiver, Wired	96112998
8	Module, Receiver, Wireless	96112260
9	Cap, Storage, Male	96112872
10	Cap, Storage, Female	96112871
11	Harness, Vehicle	96112913
12	Connector, Female 4-Way	96112300
13	Connector, Male, 4-Way	96112301
14	Harness, Down Pressure	96112193
15	Harness, Gravity Down	96112955
16	Fuse, 10A (In Holder)	96112496
17	Harness, Power Unit	96114394



HYDRAULIC PUMP ASSEMBLY

REF. NO.	DESCRIPTION	PART NO.
1	Plug, Breather	96105244
2	Reservoir, Plastic	96105241
3	Clamp	96105231
4	Pump Assembly	96105735
5	O-Ring, 3/8" x 3-7/8" x 1/8"	96105315
6	O-Ring, 1/2" x 5/8" x 1/16"	96105316
7	Base Assembly	Not Available Separately
8	O-Ring, 5/8" x 3/4" x 1/16"	96105314
9	Seal, Shaft	96105317
10	Motor, 12VDC	96106802
11	Kit, Relief Valve	96105313
12	Tube Assembly, Return	96114440
13	Filter	96105245
14	Tube, Suction	96105737

