

SNO-WAY®

SNOW & ICE CONTROL EQUIPMENT

ASSEMBLY & INSTALLATION INSTRUCTIONS

**VEHICLE MOUNT KIT 99101182
AND
VEHICLE CENTER MEMBER 96114780**

**TO FIT
2014 & Later - Kubota X900, X1100C, X1120**



©2024 Sno-Way® International

97101874C



1. THINK SAFETY, ALWAYS WEAR SAFETY GLASSES WHEN PERFORMING THE OPERATIONS PRESCRIBED IN THESE INSTRUCTIONS
2. READ ALL INSTRUCTIONS CAREFULLY BEFORE ATTEMPTING INSTALLATION
3. BEFORE BEGINNING WORK MAKE SURE TO SET PARKING BRAKE AND CHOCK WHEELS



ASSEMBLY TOOLS NEEDED

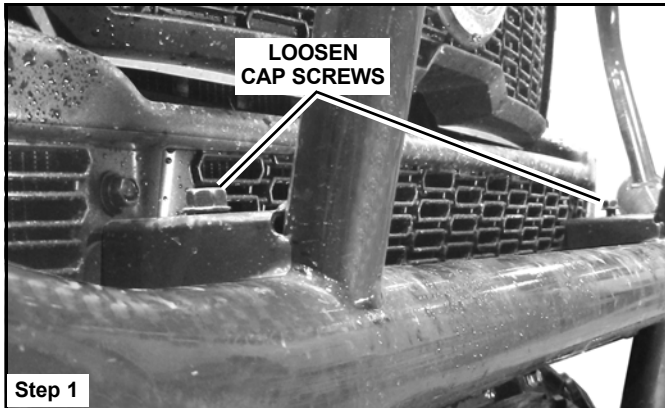
Impact Sockets	7/16" - 1-3/8"
Wrenches	7/16" - 1-3/8"
Torque Wrench	
Rat Tail Pry Bar	
Center Punch and Hammer	
C-Clamp	
Screwdrivers	

INSTALLATION NOTES

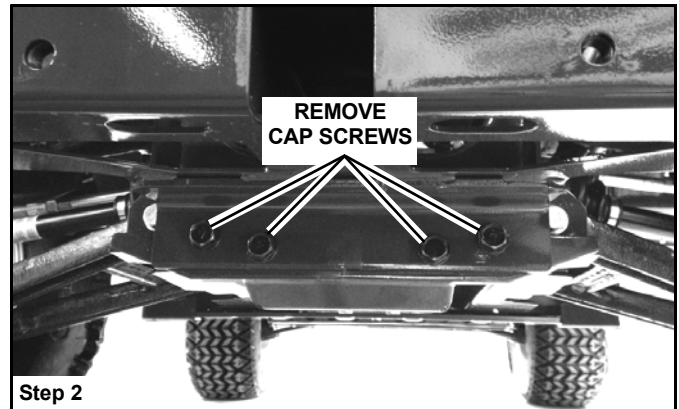
1. Vehicle should be parked on a level surface with a normal vehicle load on the FRONT suspension.
2. On some vehicles it may be necessary to raise or stiffen the suspension to decrease the vehicles front suspension sag with the snow plow in place.
3. Unless otherwise specified, mount all Vehicle Mount Kit Components to vehicle before tightening any hardware.
4. It is recommended that LOCTITE®, or similar thread locking product, be used on ALL mounting hardware (i.e. Nuts, Cap Screws, Bolts, etc.).
5. Items in parentheses () refer to quantity required for this step. Items in parentheses with a pound sign (#) indicate the part number as found in the parts list on the last page of this document.
Example: (2) 1/2" Lock Washers (#9).

MOUNTING INSTRUCTIONS

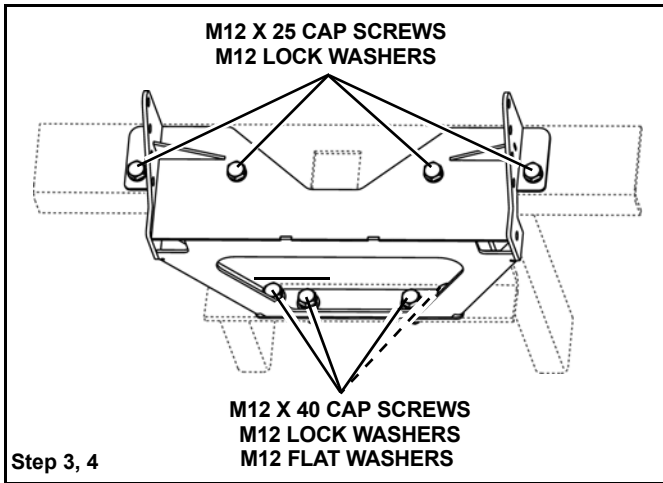
1. Loosen two upper bumper/brush guard cap screws.
Do not completely remove.



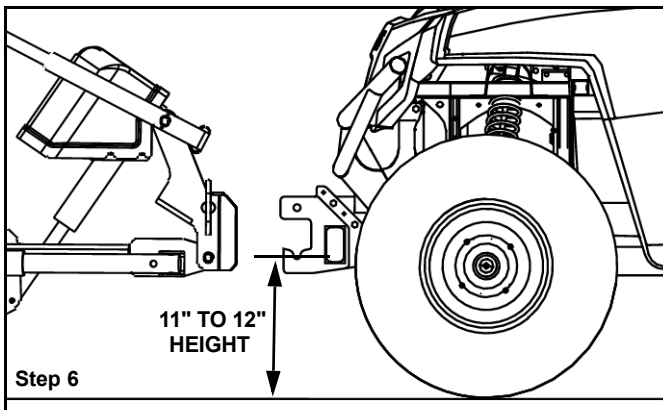
2. Remove four lower bumper/brush guard cap screws.



- Align (4) front holes in the mounting bracket (#2) with (4) holes in the front of the machine bumper. Insert (4) M12-1.25 X 25 cap screws (#4) and (4) M12 lock washers (#8) thru the holes in the mounting bracket and into bumper. Do not tighten.



- Insert (4) M12-1.25 X 40 cap screws (#5), (4) M12 lock washers(#8) and (4) M12 flat washers (#9) into slots in rear bracket, thru the bumper brush guard and into vehicle frame.
- Tighten all hardware, including the two upper bumper/brush guard cap screws loosened in Step 1.
- Position the UTV Mount (#1) on the machine. Align the Mount holes with the bracket (#2) to provide an 11" to 12" height between the lower pin slots and the ground. Place spacers (#3) between bracket (#2) and UTV Mount (#1). Secure with (6) 3/8" x 1-1/4" cap screws (#6) and (6) 3/8" lock nuts (#7). Tighten hardware.



IMPORTANT: Height from the bottom of the lower pin slots on the UTV Mount to the ground should be between 11" and 12" to ensure proper operation.

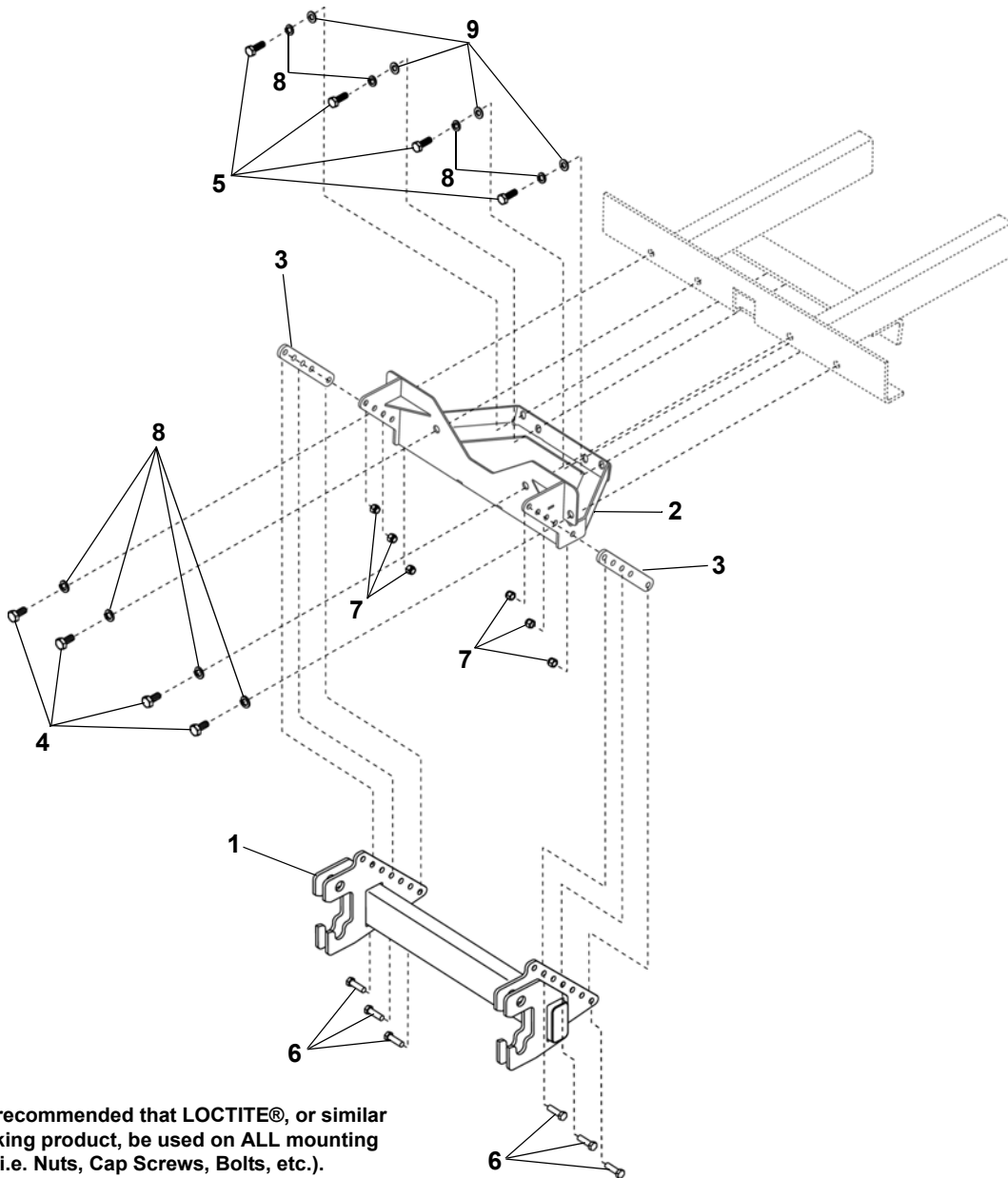
- Torque all hardware using the Torque Specification Chart below:

TORQUE SPECIFICATIONS FOR STANDARD MACHINE HARDWARE					
Bolt Size	GR.2 Dry	GR.5 Dry	GR.8 Dry	Metric Size	GR.8.8 Dry
1/4"	66*	9	12	M8	17
5/16"	11	17	25	M10	35
3/8"	20	30	45	M12	60
7/16"	32	50	70	M14	95
1/2"	50	75	110	M16	155
9/16"	70	110	150		
5/8"	100	150	220		
3/4"	175	260	380		
7/8"	170	430	600		
1"	250	640	900		

These torque values are to be used for all hardware. Unless otherwise specified, all torque values must meet this specification.
All torque values are in Ft.-Lbs unless otherwise stated
*In-Lbs

REMEMBER After 5 to 10 hours of snowplow usage, re-torque all hardware!

PARTS LIST



Note: It is recommended that LOCTITE®, or similar thread locking product, be used on ALL mounting hardware (i.e. Nuts, Cap Screws, Bolts, etc.).

ITEM	PART NO.	DESCRIPTION	QTY.
1	96114780	Vehicle Center Member, UTV (Not Included)	1
2		Weldment, Bracket, Kubota X900, X1100C, X1120	1
3		Spacer, Kubota	2
4		HHCS, M12-1.25 x 25 mm	4
5		HHCS, M12-1.25 x 40 mm	4
6		HHCS, 3/8"-16 x 1-1/4"	6
7		LN, 3/8"-16	6
8		LW, M12	8
9		PW, M12.....	4
10	96115464	Kit, HDWE (Not Shown) (Includes Items 3-9)	1

SNO-WAY® INTERNATIONAL, INC.



Hartford, WI 53027 USA
 Website: www.snoway.com
 ©2024 Sno-Way® International