

SNO-WAY®

SNOW & ICE CONTROL EQUIPMENT

SERVICE PARTS MANUAL

**V-BOX SPREADER
POLY DUAL ELECTRIC
MODEL PDE500 - 1/2 CUBIC YARD
MODEL PDE600 - 3/4 CUBIC YARD
MODEL PDE800 - 2 CUBIC YARD**

SPREADERS WITH SERIAL NUMBERS AFTER:
5PDE100500, 6PDE100500, 8PDE100500

CHUTES WITH SERIAL NUMBERS AFTER:
PDELC100000, PDESC100000

TABLE OF CONTENTS

	Page
PARTS LIST INTRODUCTION.....	2
Hopper	3
Inverted V - PDE500 (1 Piece Design)	5
Inverted V - PDE500 (Sectional Design).....	6
Inverted V - PDE600 (1 Piece Design)	7
Inverted V - PDE600 (Sectional Design).....	8
Inverted V - PDE800 (1 Piece Design)	9
Inverted V - PDE800 (Sectional Design).....	10
Hopper Screen - PDE500.....	11
Hopper Screen - PDE600.....	13
Hopper Screen - PDE800.....	15
Auger Drive.....	17
Chute and Spinner	19
Decals - PDE500 & PDE600.....	21
Decals - PDE800.....	23
Accessories.....	25
Numerical Index	26

NOTE: For CONTROLLER SYSTEM WIRING - See Manual 97101915 - Snow Plow and Spreader Controls for parts breakdowns and details,

PARTS LIST INTRODUCTION

Our dealership network stands by to provide you with any assistance you may require, including genuine Sno-Way service parts. All parts should be obtained from or ordered through your dealer. Give complete information about the part(s) at time of order, and include the Model and applicable Serial Numbers of your machine.

NOTE: The Model and all Serial number information should be recorded on page two of your Installation and Owner's Manual for ease of reference. The location of these numbers on the machine is detailed in the manual as well.

"Right" and "Left" are determined from a position sitting on the Operators seat of the vehicle.

We reserve the right to make changes or improvements in the design or construction of any part without incurring the obligation to install such changes in any unit previously delivered.

USING THIS PARTS LIST

A sample parts listing is shown below:

- The **"ITEM"** in column one is the number used in the corresponding illustration.
- The **"PART NO."** in column two is the number used to order replacement parts. If a number does not appear in the column the part is only available by ordering the complete assembly.
- The **"DESCRIPTION"** in column three is the name of the replacement part. At times the name may be indented, this means that the indented parts are part of the preceding assembly.
- The **"QTY."** in column four is the quantity needed to service the assembly illustrated, not the complete product.

ITEM	PART NO.	DESCRIPTION	QTY.
1	96100083	O-ring	1
2	96001529	Elbow	3
3	98100036	Capscrew, Hex.,3/8"-16NC x 7/8"	9

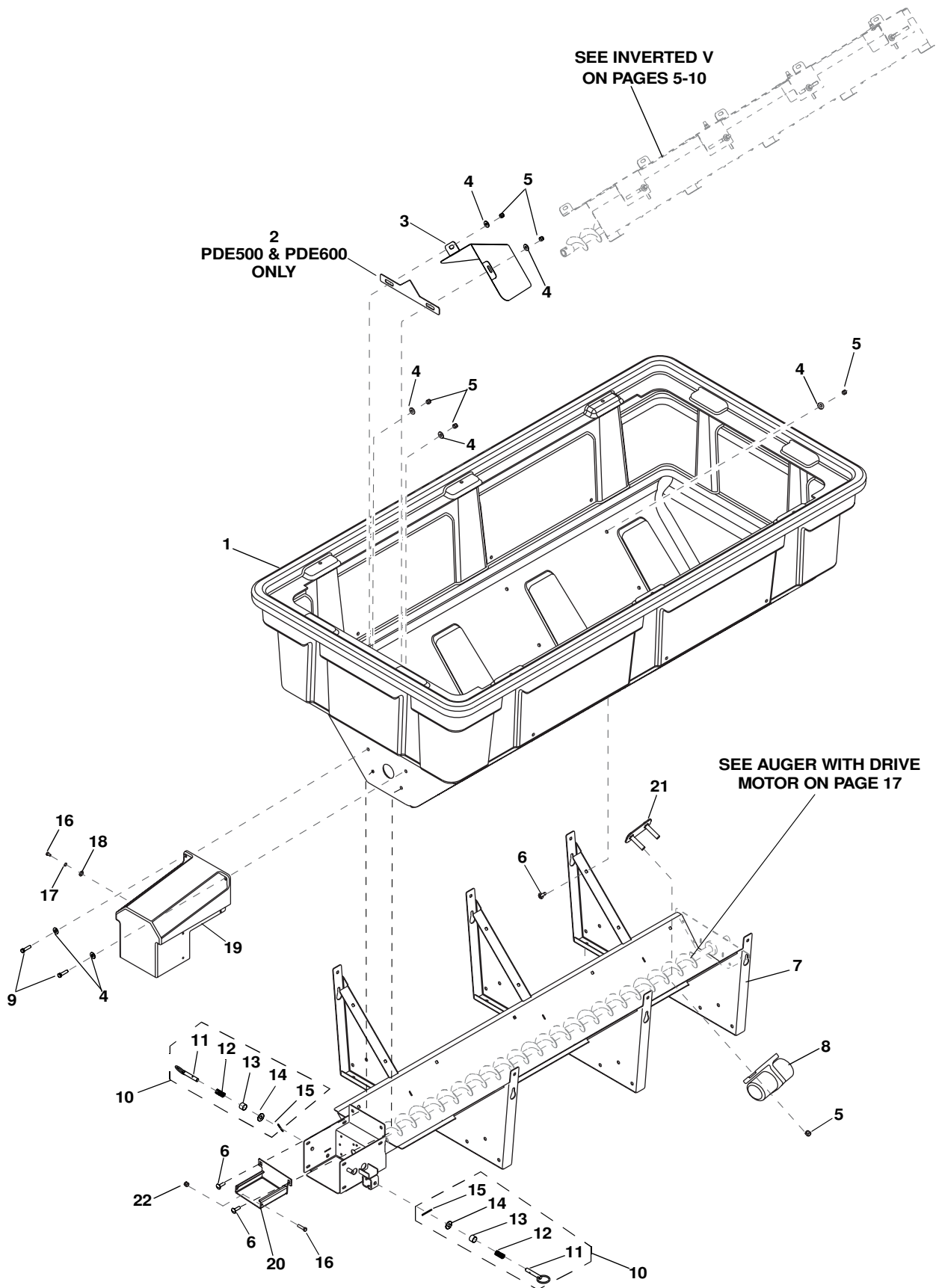
PART DESCRIPTION ABBREVIATIONS

Our Part Descriptions use common industry standard abbreviations in the naming conventions for many individual items. The list below details the abbreviations commonly used throughout this manual. If a specific abbreviation is not listed, contact any Sno-Way Dealer for clarification.

ABBREV.	DESCRIPTION
BRKT	BRACKET
CB	CARRIAGE BOLT
CLP	CLEVIS PIN
COTP	COTTER PIN
DP	DOWN PRESSURE
DS	DRIVER SIDE
EB	EYE BOLT
GR	GRADE
HDWE	HARDWARE
HHCS	HEX HEAD CAP SCREW
HN	HEX NUT
HNILN	HEX NYLON INSERT LOCKNUT

ABBREV.	DESCRIPTION
HW	HARD WIRED
HWH	HEX WASHER HEAD
LN	LOCK NUT
LW	HELICAL LOCK WASHER
PS	PASSENGER SIDE
PW	PLAIN FLAT WASHER
SHCS	SOCKET HEAD CAP SCREW
SLT	SLOTTED
SS	STAINLESS STEEL
ST	SELF-THREADING
UB	U-BOLT
WL	WIRELESS

HOPPER

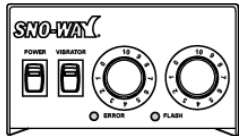


HOPPER

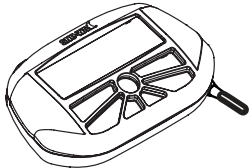
ITEM	PART NO.	DESCRIPTION	QTY
1		Hopper	1
2		Baffle, Straight (PDE500 & PDE600 Only)	1
3		Baffle, Angle	1
4	98100124	PW, 3/8", SS PDE500/600	18
		PDE800	24
5	98100339	LN, 3/8"-16, SS PDE500/600	20
		PDE800)	26
6		CB, 3/8"-16 x 1.25" PDE500/600	14
		PDE800	20
7		Weldment, Auger Support	1
8	96114903	Vibrator, 200 lb/s	1
9	98100213	HHCS, 3/8"-16 x 1-1/2", SS	2
10	96115505	Kit, Latch Pin (Includes qty 2 each; Items 11,12, 13, 14, 15)	1
11		Latch Pin, Chute	2
12		Spring, Latch Pin	2
13		Bushing, Spacer	2
14		PW, 1.25" O.D. x 0.531" I.D. x 5/8"	2
15		Spring Pin, 5/32" x 2"	2
16		HHCS, 1/4"-20 x 1/2", SS	5
17	98009226	LW, 1/4", SS	4
18	98100122	PW, 1/4", SS	4
19	96116363	Cover, Auger Drive (For controls like image ^{b)}	1
	96116432	Cover, Auger Drive (For controls like image ^{a)}	1
20		Bracket, Receiver Mount, PDE	1
21	96116210	Bolt Plate	2
22		LN, 1/4"-20, SS	1

NOTE: PDE800 Shown. See notes in descriptions for specific spreader series.

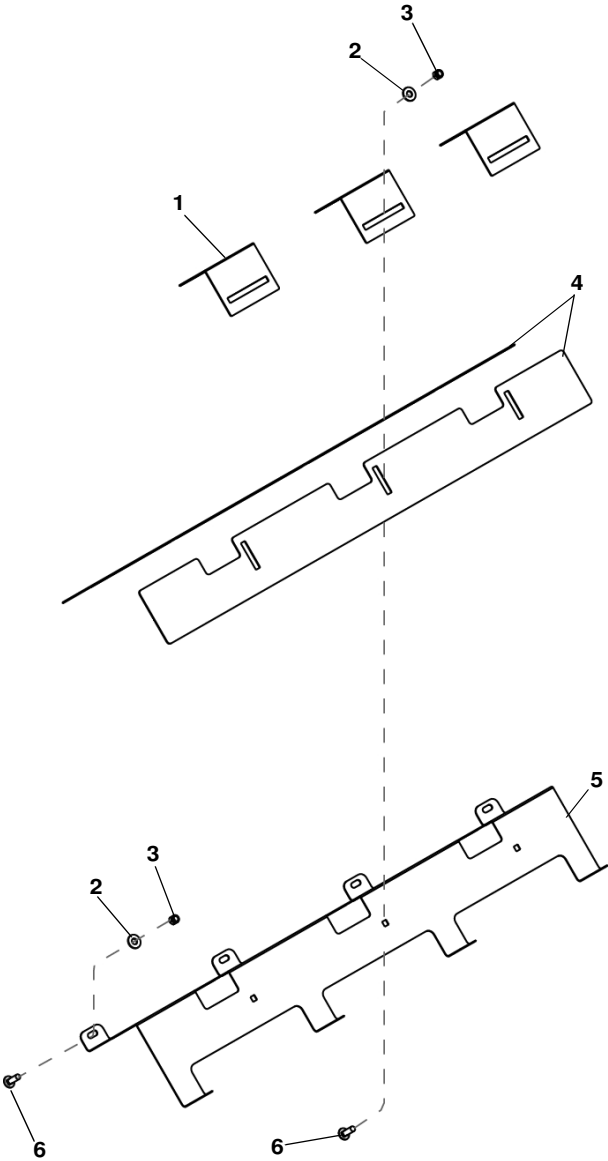
a)



b)

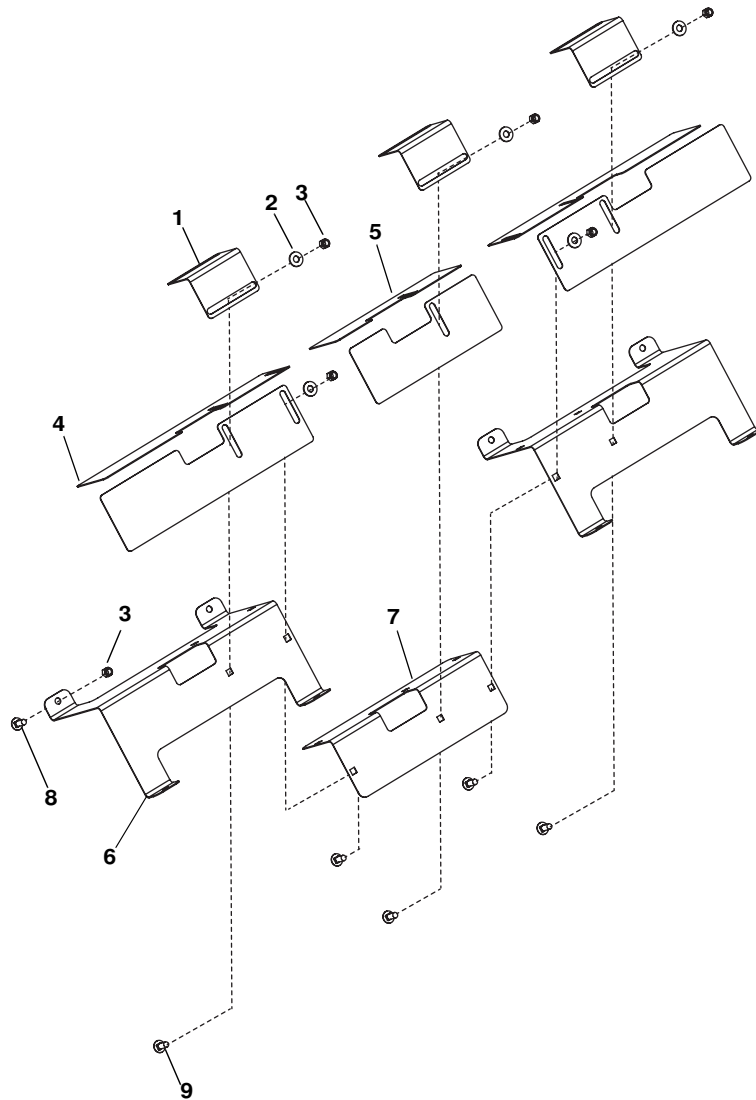


INVERTED V - PDE500 (1 PIECE DESIGN)



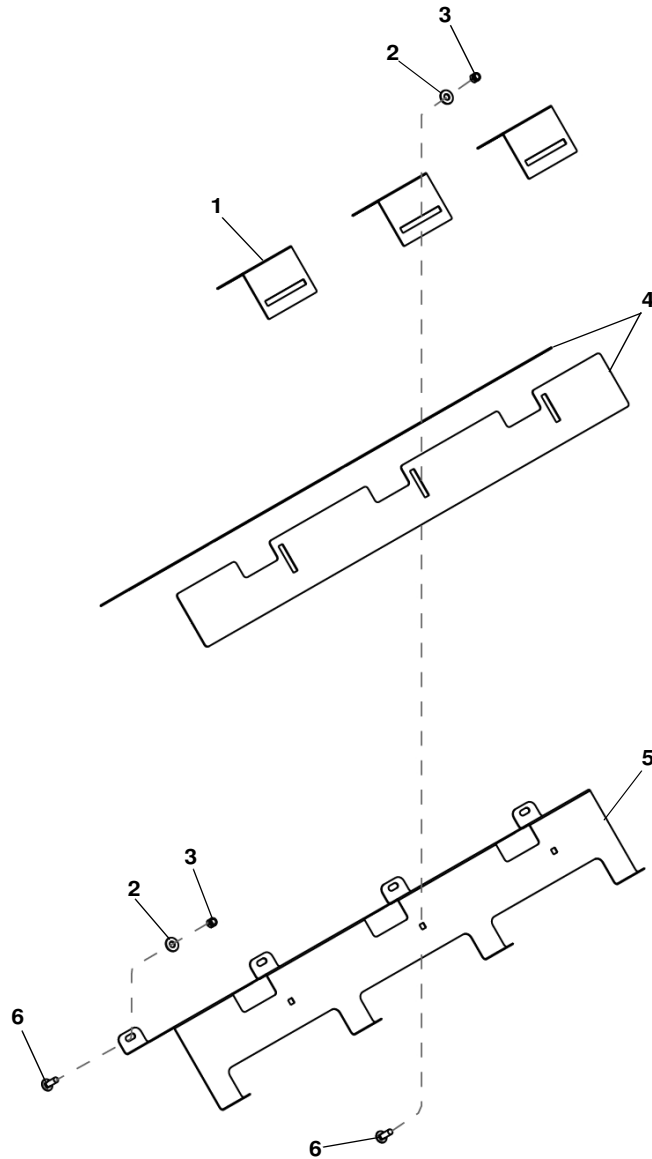
ITEM	PART NO.	DESCRIPTION	QTY
1	96114942	Baffle Bracket	3
2	98100124	PW, 3/8" SS	14
3	98100339	LN, 3/8"-16, SS	14
4	96115331	Plate, Inverted V Cover	2
5	96115352	Inverted V	1
6	98100356	CB, 3/8"-16 x 1.25"	14

INVERTED V - PDE500 (SECTIONAL DESIGN)



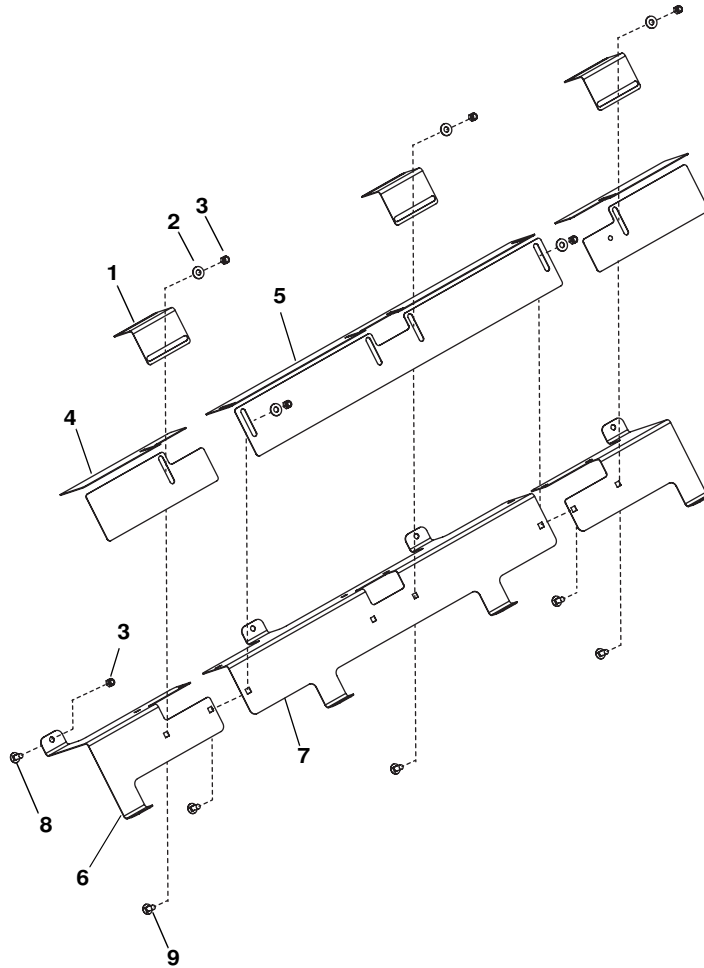
ITEM	PART NO.	DESCRIPTION	QTY
1	96116215	Bracket, Inverted V, Top	3
2	98100124	PW, 3/8" SS	10
3	98100339	LN, 3/8"-16, SS	18
4	96116227	Plate, Inverted V, End	4
5	96116230	Plate, Inverted V, Center	2
6	96116226	Bracket, Inverted V, End.....	2
7	96116229	Bracket, Inverted V, Center	1
8	98100356	CB, 3/8"-16 x 1.25", SS.....	8
9	98100359	CB, 3/8"-16 x 1.00", SS.....	10

INVERTED V - PDE600 (1 PIECE DESIGN)



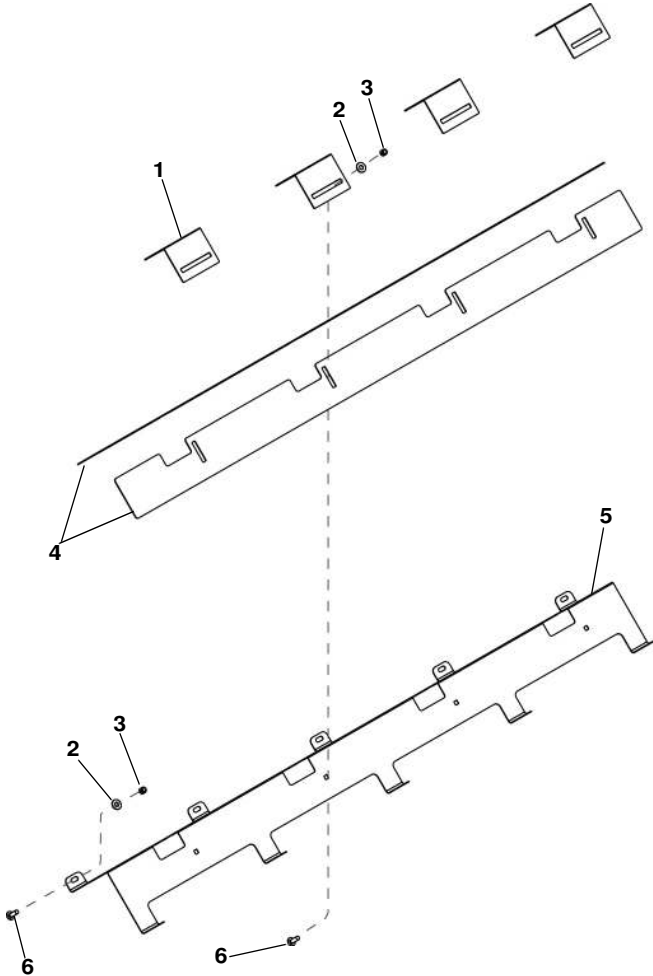
ITEM	PART NO.	DESCRIPTION	QTY
1	96114942	Baffle Bracket	3
2	98100124	PW, 3/8" SS	14
3	98100339	LN, 3/8"-16, SS.....	14
4	96115338	Plate, Inverted V Cover	2
5	96115339	Inverted V	1
6	98100356	CB, 3/8"-16 x 1.25"	14

INVERTED V - PDE600 (SECTIONAL DESIGN)



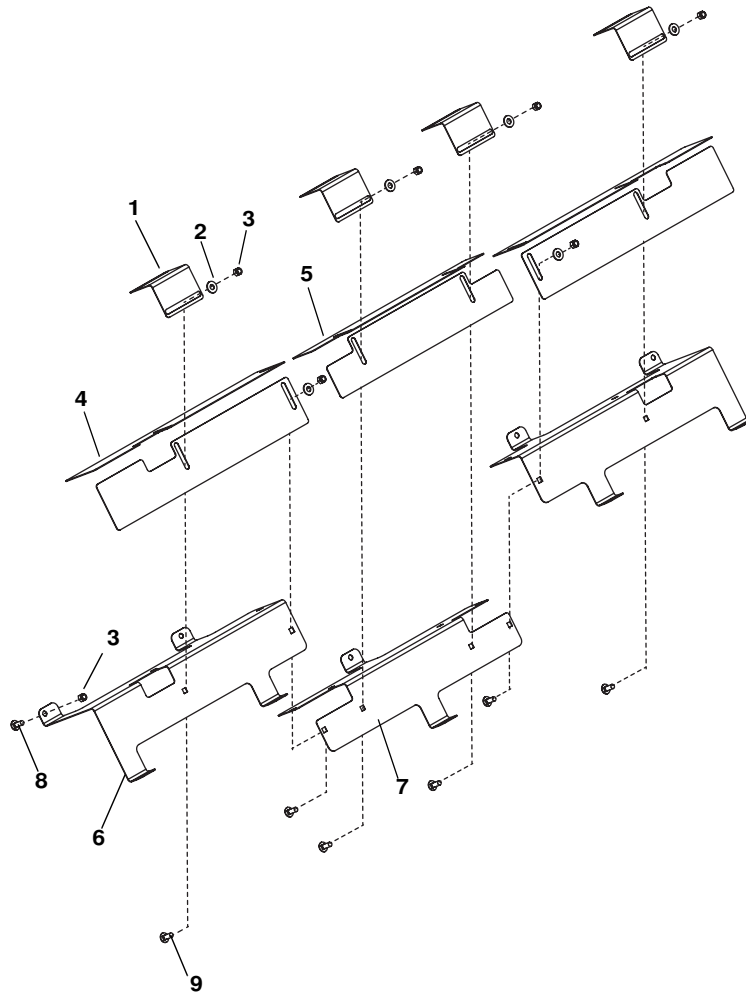
ITEM	PART NO.	DESCRIPTION	QTY
1	96116215	Bracket, Inverted V, Top.....	3
2	98100124	PW, 3/8" SS.....	12
3	98100339	LN, 3/8"-16, SS.....	20
4	96116224	Plate, Inverted V, End.....	4
5	96116221	Plate, Inverted V, Center.....	2
6	96116223	Bracket, Inverted V, End.....	2
7	96116220	Bracket, Inverted V, Center.....	1
8	98100356	CB, 3/8"-16 x 1.25", SS.....	8
9	98100359	CB, 3/8"-16 x 1.00", SS.....	12

INVERTED V - PDE800 (1 PIECE DESIGN)



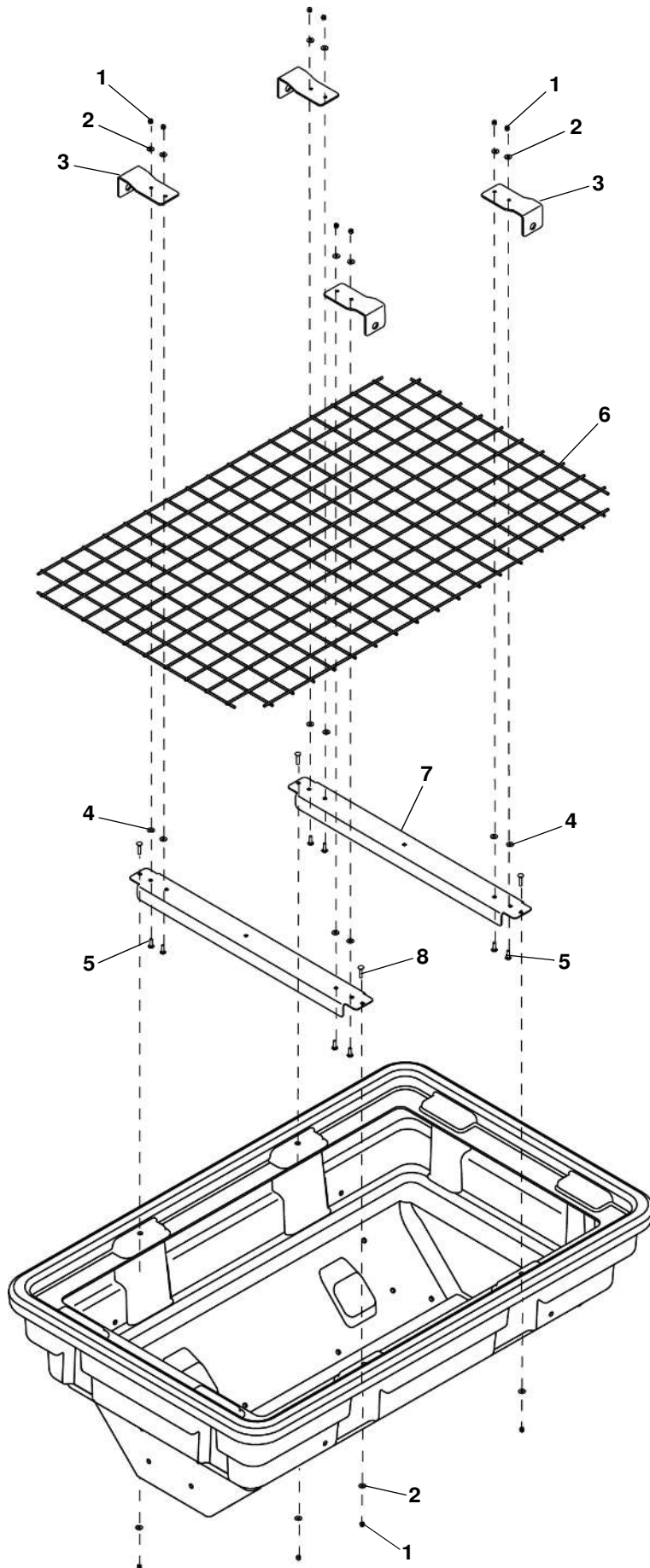
ITEM	PART NO.	DESCRIPTION	QTY
1	96114942	Baffle Bracket.....	4
2	98100124	PW, 3/8" SS	18
3	98100339	LN, 3/8"-16, SS	18
4	96114955	Plate, Inverted V Cover	2
5	96114938	Inverted V.....	1
6	98100356	CB, 3/8"-16 x 1.25"	18

INVERTED V - PDE800 (SECTIONAL DESIGN)



ITEM	PART NO.	DESCRIPTION	QTY
1	96116215	Bracket, Inverted V, Top	4
2	98100124	PW, 3/8" SS.....	12
3	98100339	LN, 3/8"-16, SS	22
4	96116214	Plate, Inverted V, End.....	4
5	96116218	Plate, Inverted V, Center	2
6	96116213	Bracket, Inverted V, End	2
7	96116217	Bracket, Inverted V, Center	1
8	98100356	CB, 3/8"-16 x 1.25", SS	10
9	98100359	CB, 3/8"-16 x 1.00", SS	12

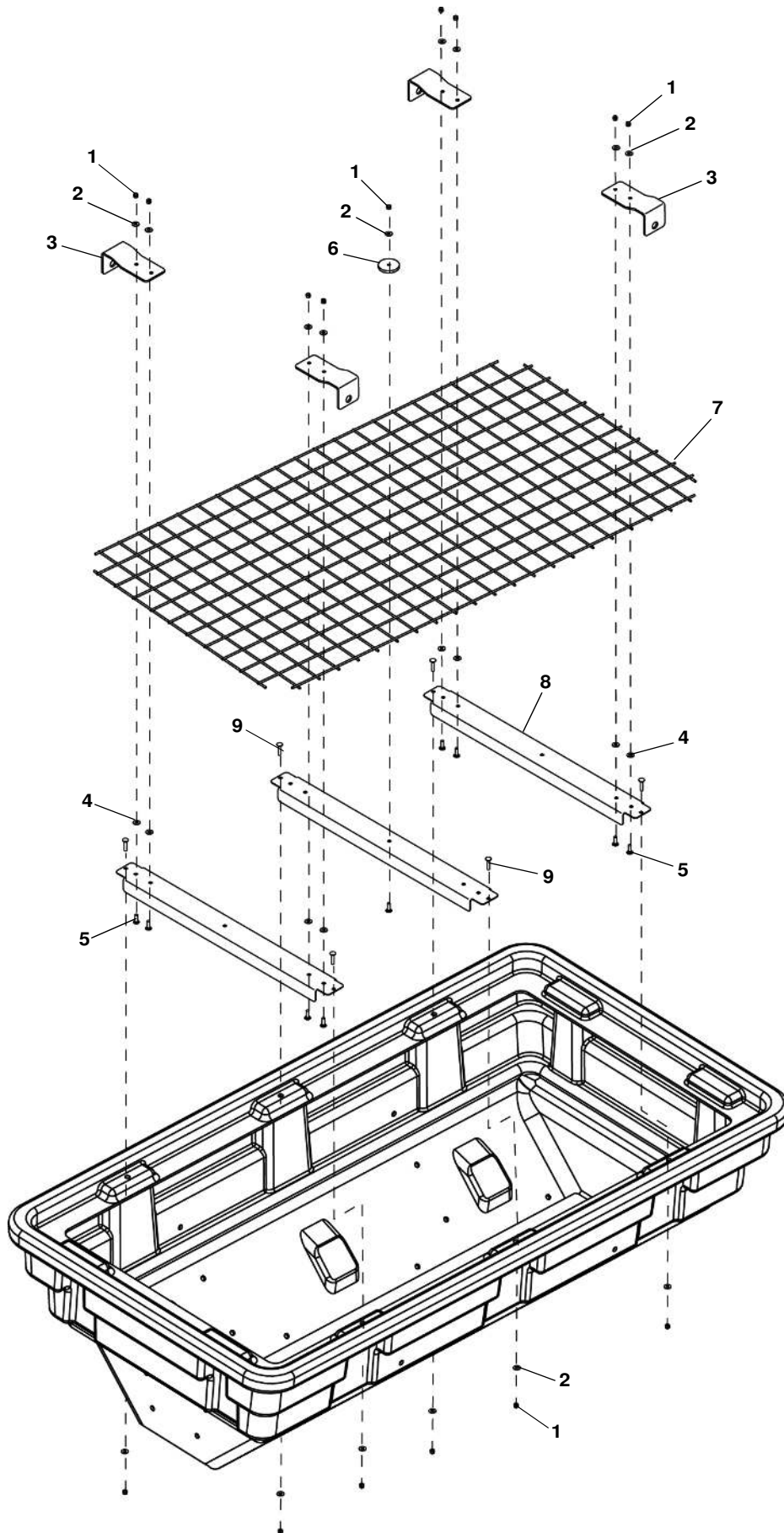
HOPPER SCREEN - PDE500



HOPPER SCREEN - PDE500

ITEM	PART NO.	DESCRIPTION	QTY
1	98100339	LN, 3/8"-16, SS	12
2	98100124	PW, 3/8", SS.....	12
3	96114502	Bracket, Strap.....	4
4	98100565	Washer, Retainer.....	8
5	98100356	CB, 3/8"-16 x 1.25", SS	8
6	96115345	Grate, Top Screen, PDE500.....	1
7	96115337	Grate Support, PDE500	2
8	98100536	CB, 3/8"-16 x 1.75", SS	4

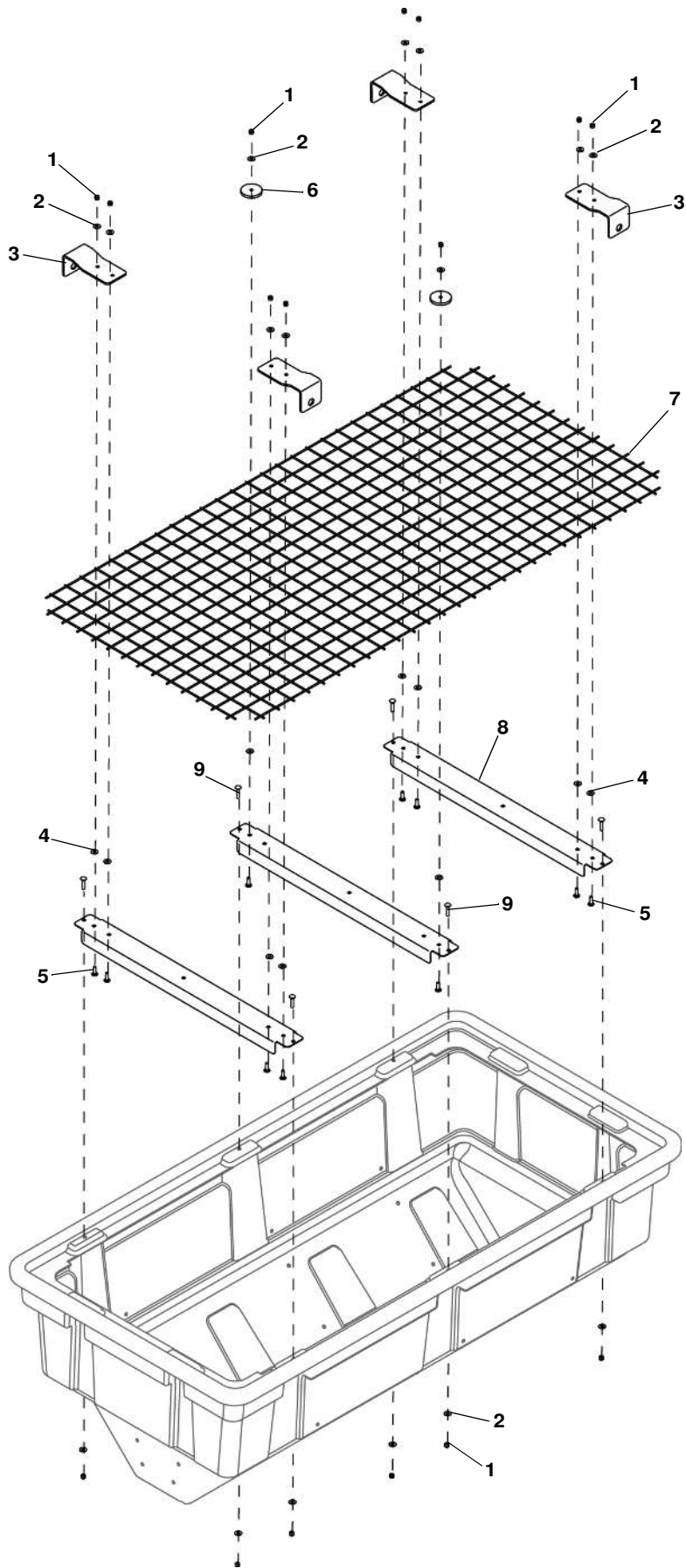
HOPPER SCREEN - PDE600



HOPPER SCREEN - PDE600

ITEM	PART NO.	DESCRIPTION	QTY
1	98100339	LN, 3/8"-16, SS	15
2	98100124	PW, 3/8", SS.....	15
3	96114502	Bracket, Strap.....	4
4	98100565	Washer, Retainer.....	8
5	98100356	CB, 3/8"-16 x 1.25", SS	9
6	96115013	Isolator, Screen	1
7	96115346	Grate, Top Screen, PDE600.....	1
8	96115337	Grate Support, PDE600	3
9	98100536	CB, 3/8"-16 x 1.75", SS	6

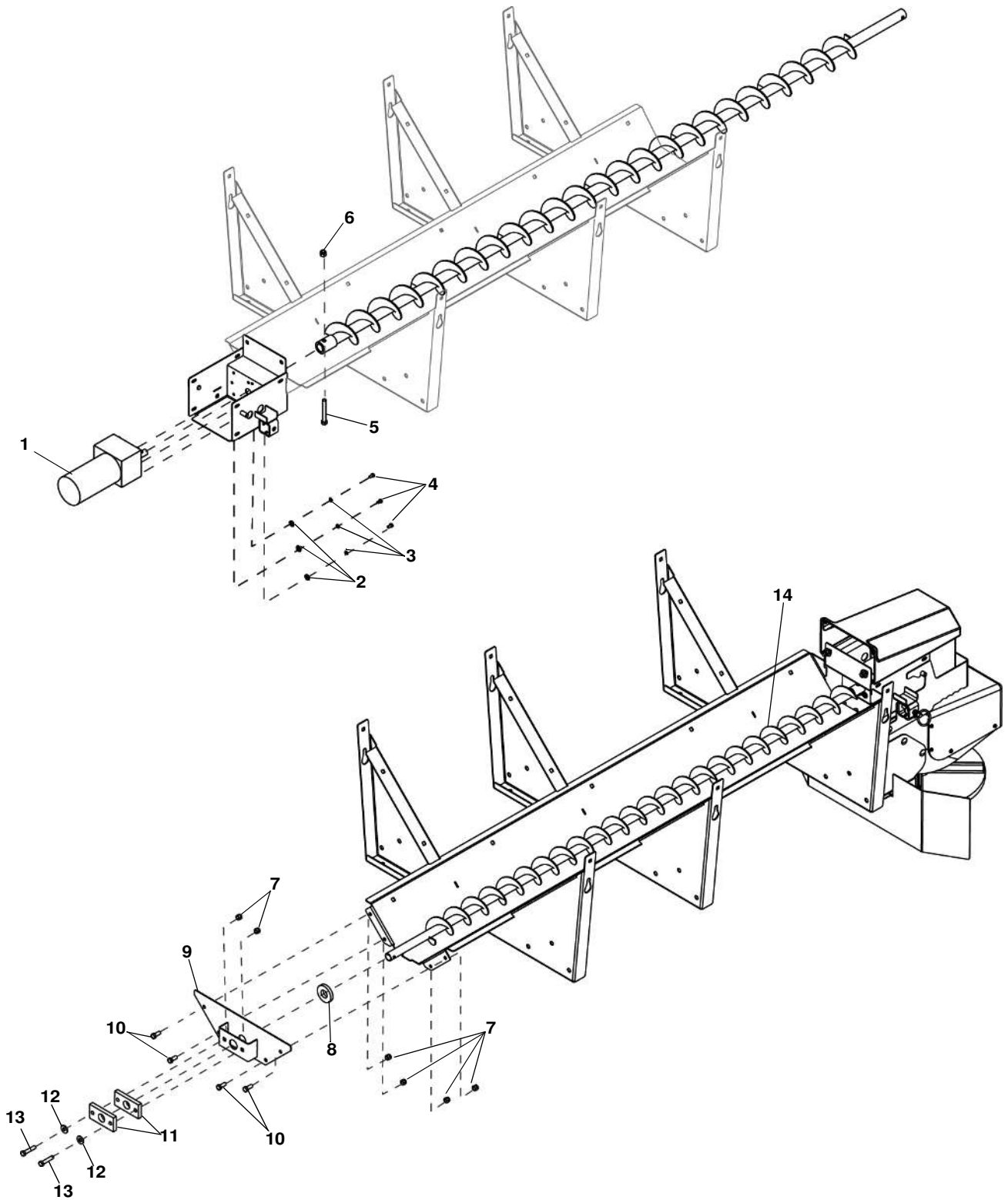
HOPPER SCREEN - PDE800



HOPPER SCREEN - PDE800

ITEM	PART NO.	DESCRIPTION	QTY
1	98100339	LN, 3/8"-16, SS	16
2	98100124	PW, 3/8", SS.....	16
3	96114502	Bracket, Strap.....	4
4	98100565	Washer, Retainer.....	10
5	98100356	CB, 3/8"-16 x 1.25", SS	10
6	96115013	Isolator, Screen	2
7	96114586	Grate, Top Screen, PDE800.....	1
8	96114587	Grate Support, PDE800	3
9	98100536	CB, 3/8"-16 x 1.75", SS	6

AUGER DRIVE

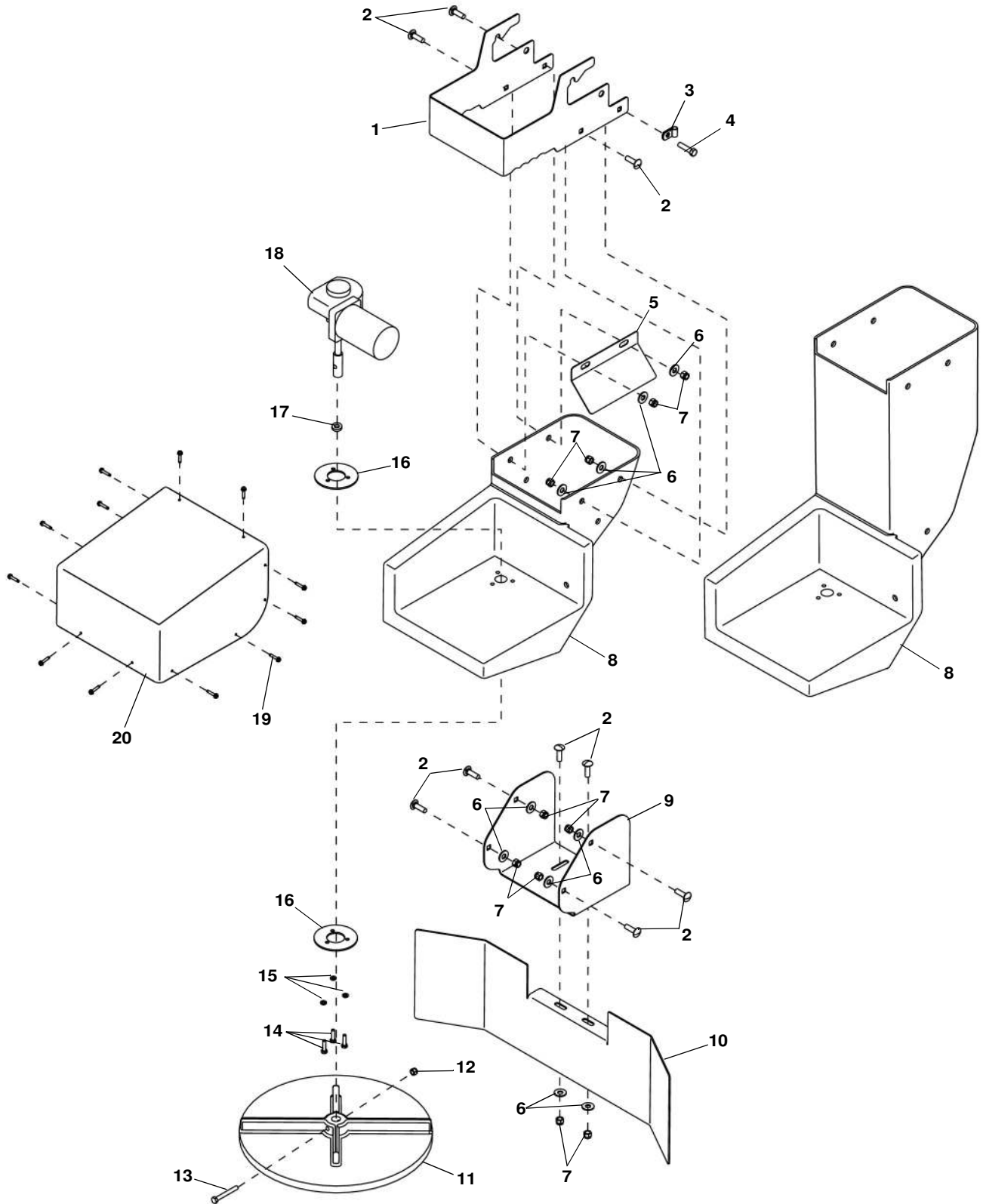


AUGER DRIVE

ITEM	PART NO.	DESCRIPTION	QTY
1	96114805	Motor, Auger Drive	1
2	98100122	PW, 1/4", SS.....	3
3	98100226	LW, 1/4", SS	3
4	98100344	HHCS, 1/4"-20 x 1/2", SS.....	3
5	98100114	HHCS, 5/16"-18 x 2.25", SS.....	1
6	98100118	LN, 5/16"-18, SS	1
7	98100339	LN, 3/8"-16, SS	8
8	96115007	Seal, Main Auger.....	1
9	96115027	Weldment, Bearing Plate.....	1
10	98100357	HHCS, 3/8"-16 x 7/8", SS.....	4
11	96114956	Bearing, Auger	2
12	98100124	PW, 3/8", SS.....	2
13	98100541	HHCS, 3/8"-16 x 2.0", SS.....	2
14	96115328	Weldment, Auger, PDE500	1
	96115335	Weldment, Auger, PDE600	1
	96114574	Weldment, Auger, PDE800	1

NOTE: PDE800 Shown

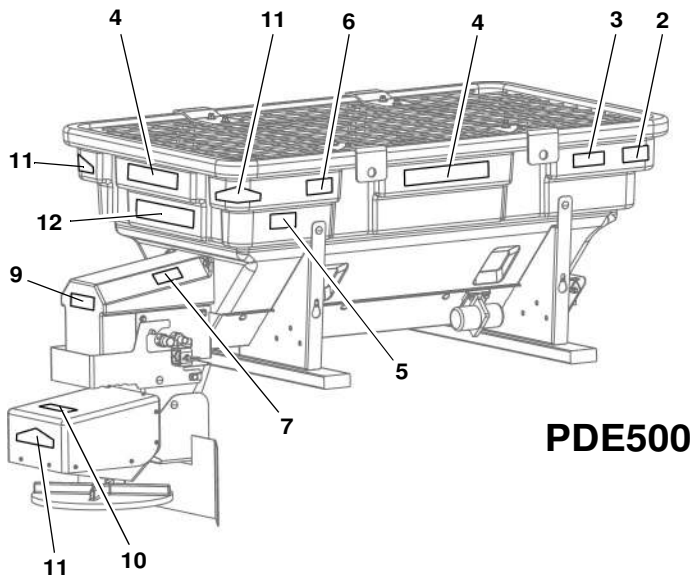
CHUTE AND SPINNER



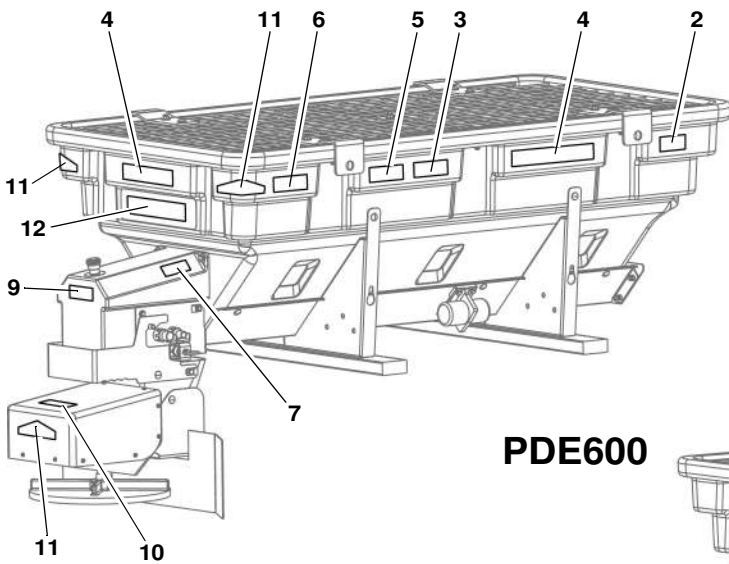
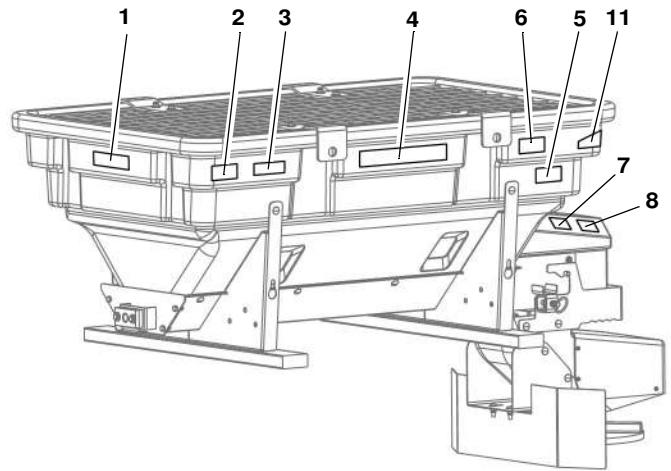
CHUTE AND SPINNER

ITEM	PART NO.	DESCRIPTION	QTY
1	96114887	Bracket, Handle Chute	1
2	98100356	CB, 3/8"-16 x 1-1/4", SS	9
3	96102428	Clamp, Cable	1
4	98100213	HHCS, 3/8"-16 x 1-1/2", SS	1
5	96114960	Baffle, Internal Chute	1
6	98100124	PW, 3/8", SS	10
7	98100339	LN, 3/8", SS	10
8	96114493	Chute, Short, 16-5/8"	1
	96114806	Chute, Long, 28-3/4"	1
9	96114494	Bracket, Shield Mount	1
10	96114496	Shield Spinner	1
11	96106135	Spinner, 16" Poly	1
12	98100118	LN, 5/16", SS	1
13	98100281	HHCS, 5/16"-18 x 2-1/2", SS	1
14	98100542	HHCS, 1/4"-28 x 1", SS	3
15	98009226	LW, 1/4", SS	3
16	96114808	Plate, Spinner Support	2
17	96115008	Seal, Shaft	1
18	96114810	Motor, Gear Drive Spinner	1
19	98100488	HWHST, #10-16 x 1", SS	12
20	96114497	Cover, Spinner Chute	1

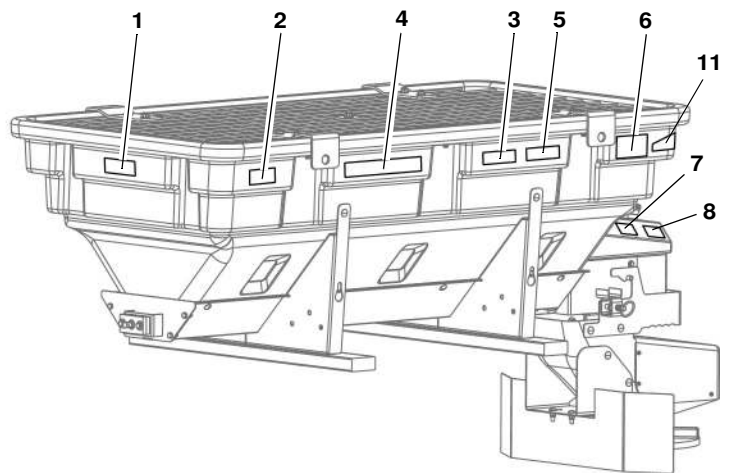
DECALS - PDE500 & PDE600



PDE500



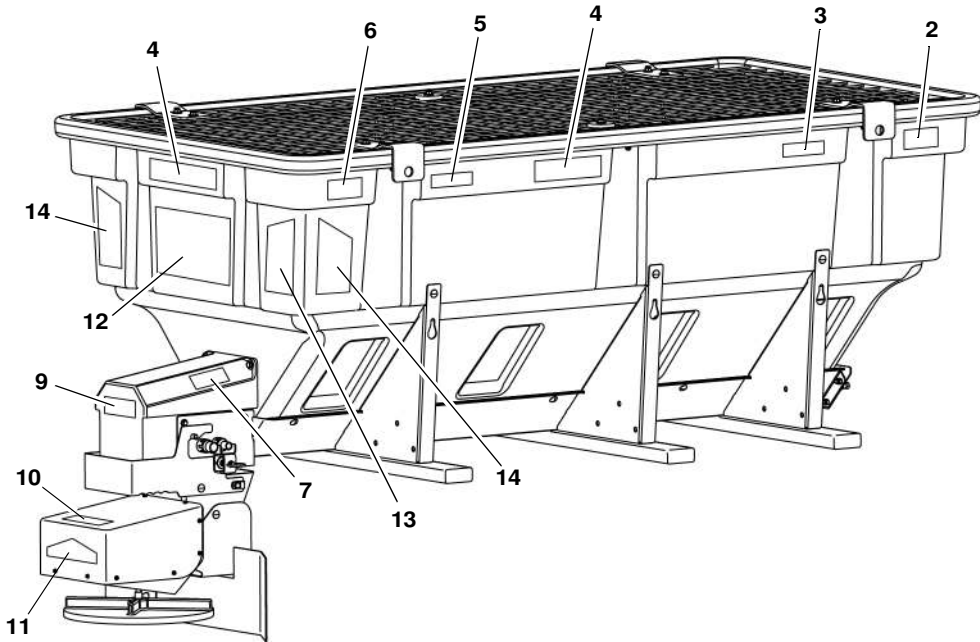
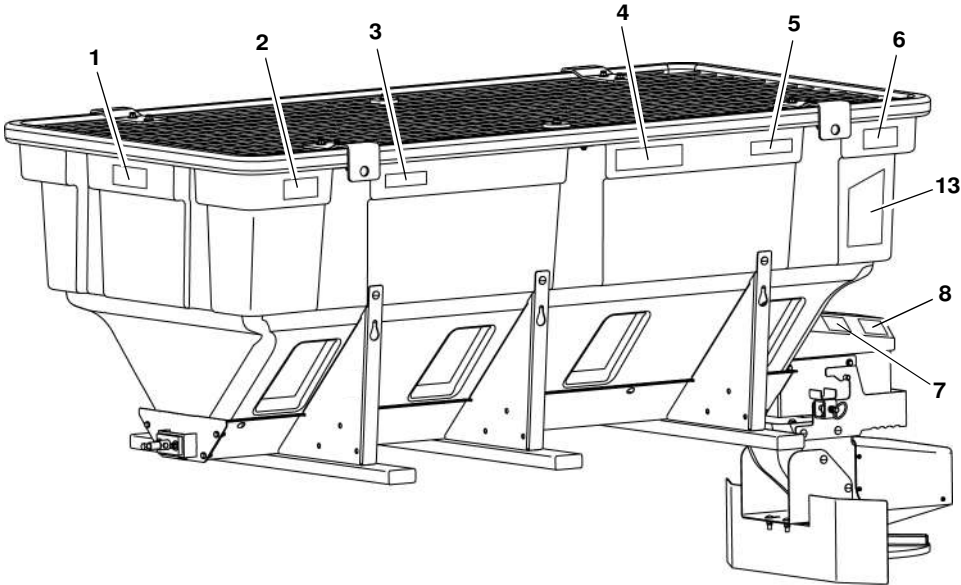
PDE600



DECALS - PDE500 & PDE600

ITEM	PART NO.	DESCRIPTION	QTY.
1		Decal, Warning, Keep Hands and Feet	1
2		Decal, Warning, Do Not Ride.....	2
3		Decal, Warning, Do Not Exceed GVWR.....	2
4		Decal, 'Sno-Way'	3
5		Decal, Important, Material	2
6		Decal, Warning, Do Not Enter Hopper.....	2
7		Decal, Warning, Rotation & Pinch Point	2
8		Decal, Warning, Shut Off	1
9		Decal, Warning, Keep All Guards	1
10		Decal, Warning, Flying Debris	1
11		Decal, Reflective	3
12		Decal, PDE500	1
		Decal, PDE600	1
13	96115507	Decal Kit, PDE500 (Not Shown)	1
	96115508	Decal Kit, PDE600 (Not Shown)	1

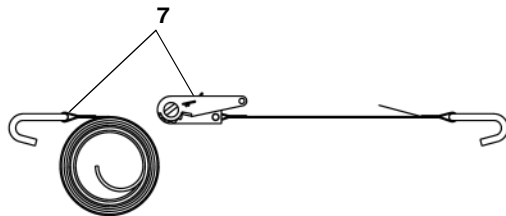
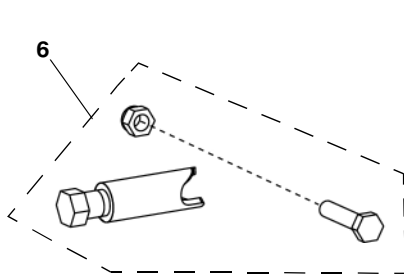
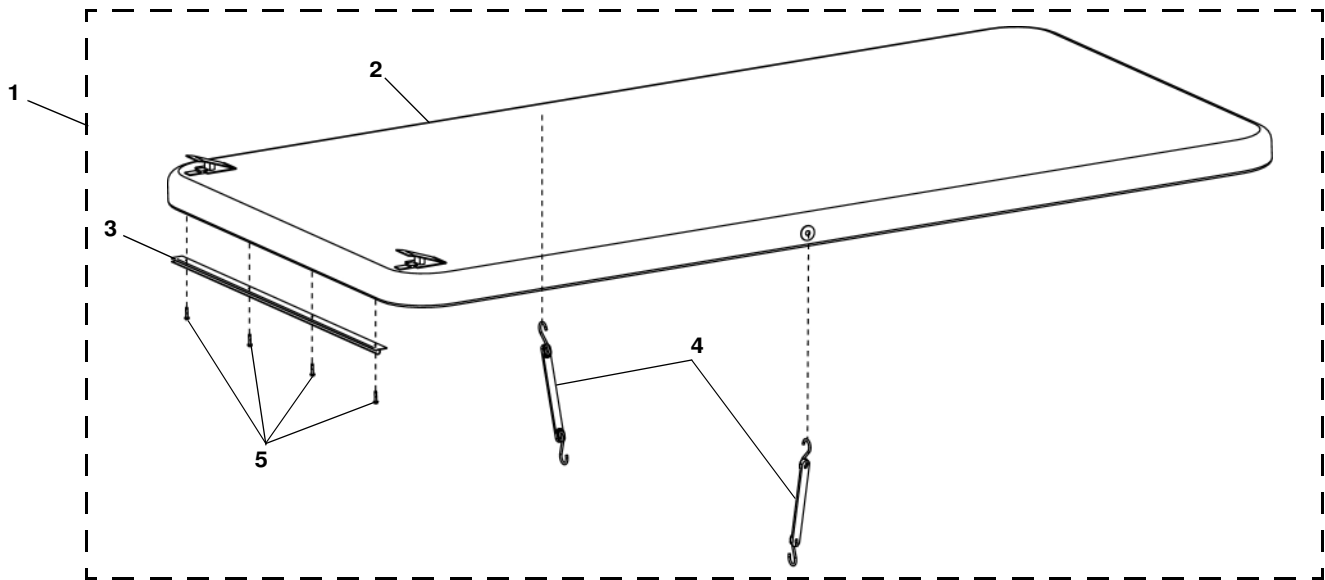
DECALS - PDE800



DECALS - PDE800

ITEM	PART NO.	DESCRIPTION	QTY.
1		Decal, Warning, Keep Hands & Feet	1
2		Decal, Warning, Do Not Ride.....	2
3		Decal, Warning, Do Not Exceed GVWR.....	2
4		Decal, 'Sno-Way'	3
5		Decal, Important, Material	2
6		Decal, Warning, Do Not Enter Hopper.....	2
7		Decal, Warning, Rotation & Pinch Point	3
8		Decal, Warning, Shut Off	1
9		Decal, Warning, Keep All Guards	1
10		Decal, Warning, Flying Debris	1
11		Decal, Reflective, Rear	1
12		Decal, PDE800	1
13		Decal, Reflective Yellow, DS	2
14		Decal, Reflective Yellow, PS	2
15	96115134	Decal Kit, PDE800 (Not Shown)	1

ACCESSORIES



ITEM	PART NO.	DESCRIPTION	QTY
1	99101117	Tarp Kit, PDE500	1
	99101118	Tarp Kit, PDE600	1
	99101114	Tarp Kit, PDE800	1
2		Tarp.....	1
3		Aluminum Extrusion.....	1
4	96115126	Shock Cord, Rubber	
		PDE500/PDE600	4
		PDE800	2
5		Screw, Self Tapping	4
6	96115106	Auger Relief Tool Kit	1
7	99100700	Kit, Ratchet Strap (Includes 4 Ratchet Straps).....	1

NUMERICAL INDEX

PART NO.	PAGE	ITEM	PART NO.	PAGE	ITEM	PART NO.	PAGE	ITEM
96102428	20	3	96115345	12	6	98100213	4	9
96106135	20	11	96115346	14	7		20	4
96114493	20	8	96115352	5	5	98100226	18	3
96114494	20	9	96115505	4	10	98100281	20	13
96114496	20	10	96115507	22	13	98100339	4	5
96114497	20	20	96115508	22	13		5	3
96114502	12	3	96116210	4	21		6	3
	14	3	96116213	10	6		7	3
	16	3	96116214	10	4		8	3
96114574	18	14	96116215	6	1		9	3
96114586	16	7		8	1		10	3
96114587	16	8		10	1		12	1
96114805	18	1	96116217	10	7		14	1
96114806	20	8	96116218	10	5	98100344	18	4
96114808	20	16	96116220	8	7	98100356	5	6
96114810	20	18	96116221	8	5		6	8
96114887	20	1	96116223	8	6		7	6
96114903	4	8	96116224	8	4		8	8
96114938	9	5	96116226	6	6		9	6
96114942	5	1	96116227	6	4		10	8
	7	1	96116229	6	7		12	5
	9	1	96116230	6	5		14	5
96114955	9	4	96116363	4	19	98100357	18	10
96114956	18	11	96116432	4	19	98100359	6	9
96114960	20	5	98009226	4	17		8	9
96115007	18	8		20	15		10	9
96115008	20	17	98100114	18	5	98100488	20	19
96115013	14	6	98100118	18	6	98100536	12	8
	16	6		20	12		14	9
96115027	18	9	98100122	4	18		16	9
96115106	25	6		18	2	98100541	18	13
96115126	25	4	98100124	4	4	98100542	20	14
96115134	24	15		5	2	98100565	12	4
96115328	18	14		6	2		14	4
96115331	5	4		7	2		16	4
96115335	18	14		8	2	99100700	25	7
96115337	12	7		9	2	99101114	25	1
	14	8		10	2	99101117	25	1
96115338	7	4		12	2	99101118	25	1
				14	2			
96115339	7	5		16	2			
				18	12			
				20	6			

SNO-WAY® INTERNATIONAL, INC.

SNO-WAY®
SNOW & ICE CONTROL EQUIPMENT

Hartford, WI 53027 USA
Website: www.snoway.com
©2016 Sno-Way® International