

SNO-WAY®

SNOW & ICE CONTROL EQUIPMENT

ASSEMBLY & INSTALLATION INSTRUCTIONS

**UTV SPREADER TAILGATE
MOUNT KIT 99101183**



©2014 Sno-Way® International

97101907A



1. THINK SAFETY, ALWAYS WEAR SAFETY GLASSES WHEN PERFORMING THE OPERATIONS PRESCRIBED IN THESE INSTRUCTIONS
2. READ ALL INSTRUCTIONS CAREFULLY BEFORE ATTEMPTING INSTALLATION
3. BEFORE BEGINNING WORK MAKE SURE TO SET PARKING BRAKE AND CHOCK WHEELS



ASSEMBLY TOOLS NEEDED

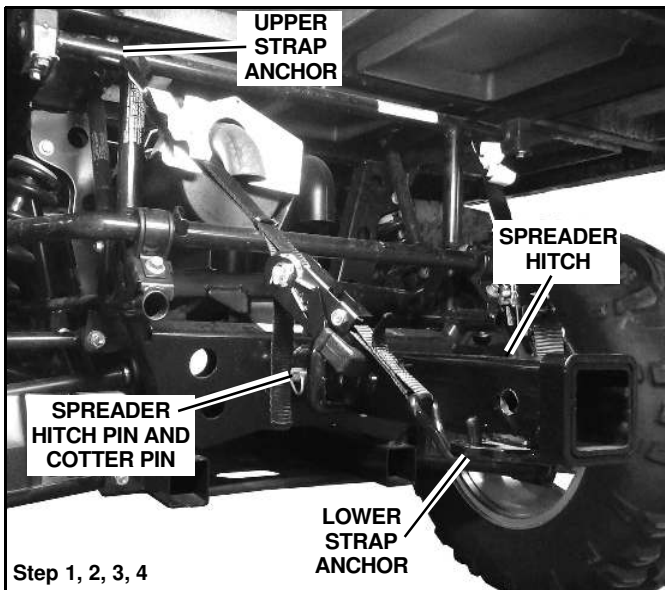
Impact Sockets	SAE
Wrenches	SAE
Drill	
Drill Bit	17/32"
Torque Wrench	
Center Punch and Hammer	

INSTALLATION NOTES

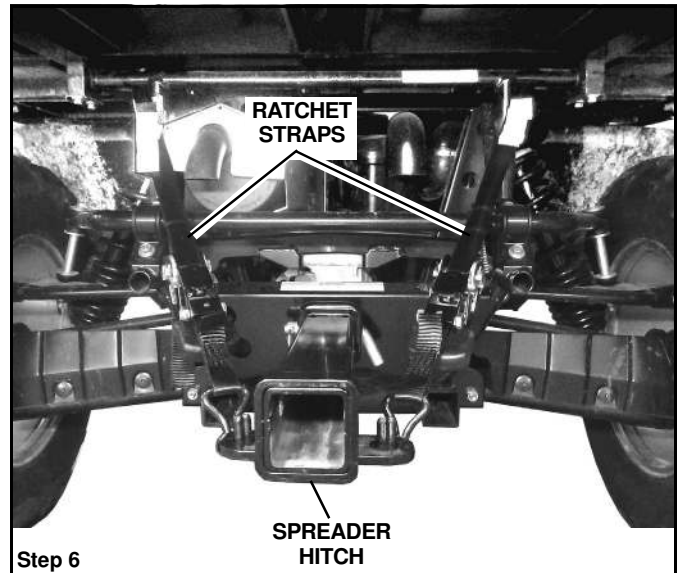
1. Vehicle should be parked on a level surface.
2. Unless otherwise specified, mount all Vehicle Mount Kit Components to vehicle before tightening any hardware.
3. It is recommended that LOCTITE®, or similar thread locking product, be used on ALL mounting hardware (i.e. Nuts, Cap Screws, Bolts, etc.).
4. Items in parentheses () refer to quantity required for this step. Items in parentheses with a pound sign (#) indicate the part number as found in the parts list on the last page of this document.
Example: (2) 1/2" Lock Washers (#9).

MOUNTING INSTRUCTIONS

1. Insert Spreader Hitch (#1) into UTV's hitch receiver.



6. Tighten both Ratchet Straps (#5) so that the straps are taut and the spreader hitch tilts slightly up.



2. Secure Spreader Hitch (31) with Hitch Pin (#2) and Cotter Hairpin (#3).
3. Hook the lower end of each Ratchet Strap (#5) thru the large holes at the end of the spreader hitch.
4. Hook the upper end of each Ratchet Strap (#5) to the UTV frame as high as possible; one strap to each side.
5. If there is not a existing hole in the frame large enough for the hooks, attach one Tie Down Plate (#4) to each side of the frame using a 1/2" X 1-1/2" Hex Head Cap Screw (#6), (2) 1/2" Flat Washers (#7) and 1/2" Lock Nut (#8). You may need to drill a 17/32" hole if the frame does not have a suitable hole. Then attach each strap to the tie down bracket.



CAUTION

Failure to keep ratchet straps tight will result in damage to UTV hitch.

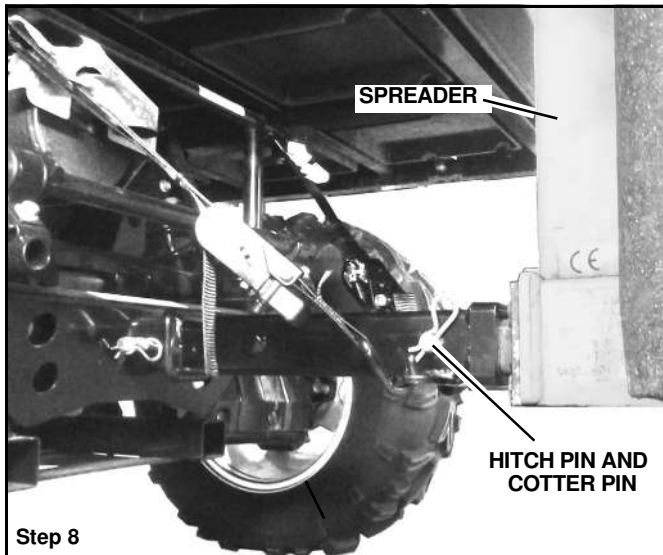
7. Insert a 4 or 6 cu. ft. spreader into the spreader hitch.



CAUTION

Do not use a 9 cu ft. spreader. Use of a 9 cu ft spreader will overload the UTV and result in damage to the hitch or other UTV components.

8. Secure spreader with a hitch pin and cotter pin.



9. Install wiring harness per spreader and spreader control manuals.

10. Torque all kit hardware using the Torque Specification Chart below:

TORQUE SPECIFICATIONS FOR STANDARD MACHINE HARDWARE

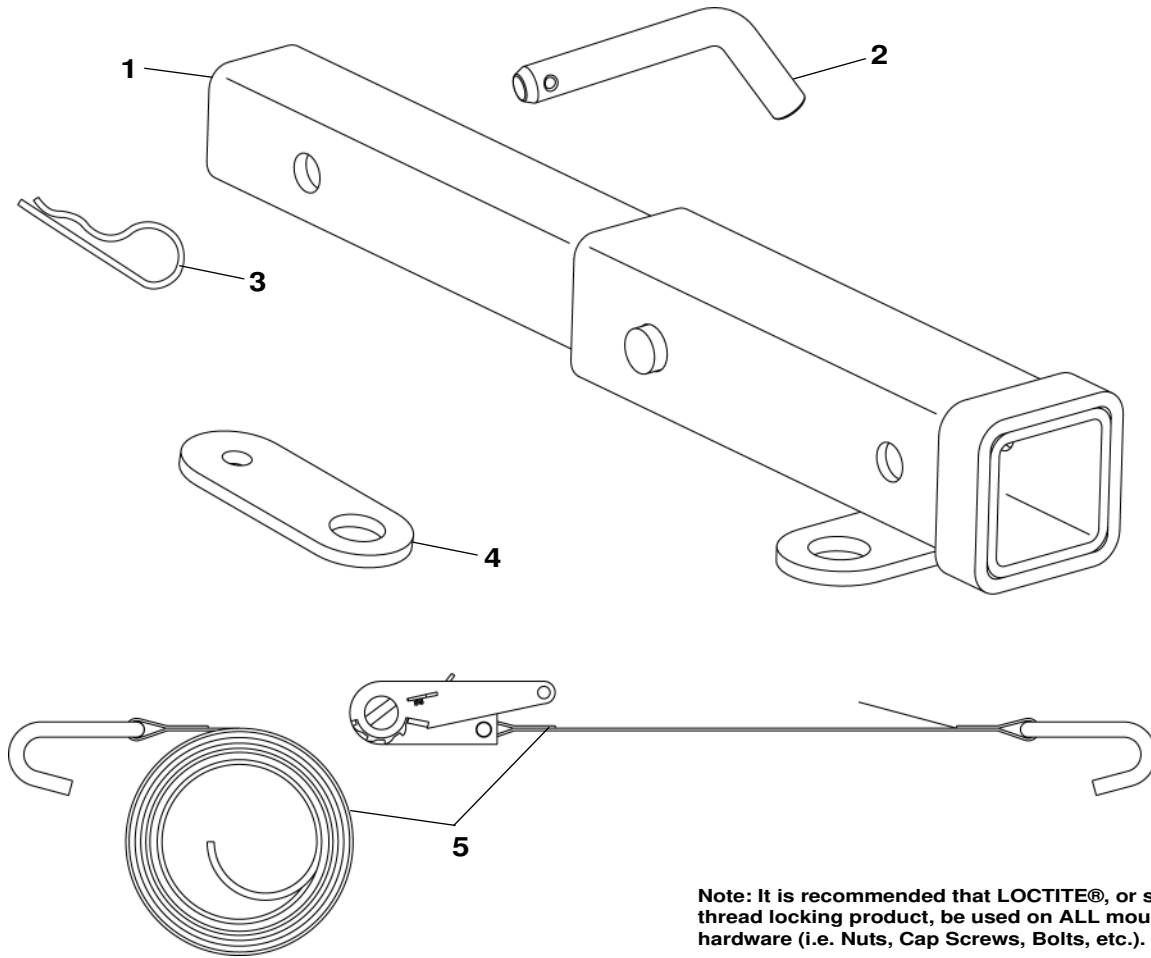
Bolt Size	GR.2 Dry	GR.5 Dry	GR.8 Dry	Metric Size	GR.8.8 Dry
1/4"	66*	9	12	M8	17
5/16"	11	17	25	M10	35
3/8"	20	30	45	M12	60
7/16"	32	50	70	M14	95
1/2"	50	75	110	M16	155
9/16"	70	110	150		
5/8"	100	150	220		
3/4"	175	260	380		
7/8"	170	430	600		
1"	250	640	900		

These torque values are to be used for all hardware. Unless otherwise specified, all torque values must meet this specification.

All torque values are in Ft.-Lbs unless otherwise stated

*In-Lbs

PARTS LIST



ITEM	PART NO.	DESCRIPTION	QTY.
1		Spreader Hitch	1
2	98100317	Pin, Bent Arm, 5/8" x 3"	1
3	98009004	Hairpin, Cotter	1
4	96115463	Plate, Tie Down	2
5	96115466	Strap, Ratchet	2
6	98009010	HHCS, 1/2"-13 x 1-1/2" (Not shown)	2
7	98100176	PW, 1/2" (Not shown)	4
8	98009013	LN, 1/2"-13 (Not shown)	2

SNO-WAY® INTERNATIONAL, INC.



Hartford, WI 53027 USA
 Website: www.snoway.com
 ©2014 Sno-Way® International