

SNO-WAY®

SNOW & ICE CONTROL EQUIPMENT

SERVICE PARTS MANUAL

SNOW PLOW AND SPREADER CONTROLS

Sno-Way®, Down Pressure®, ESS®, Smart Sight®, and Smart Flash® are registered trademarks of Sno-Way International, Inc.
ProControl™, E-Z Switch™, Revolution™, MaxAdjust™, and SpeedLock™ are trademarks of Sno-Way International, Inc.

©2024 Sno-Way® International

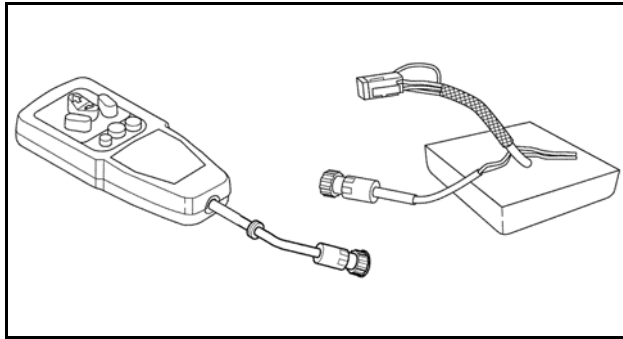
971019150

TABLE OF CONTENTS

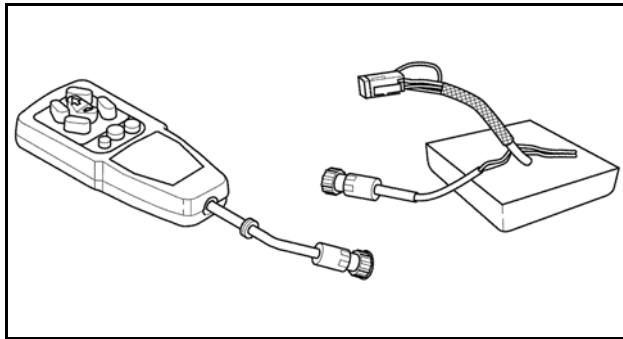
PARTS LIST INTRODUCTION	Page 4
-------------------------------	--------

PARTS - SNOW PLOW CONTROLS

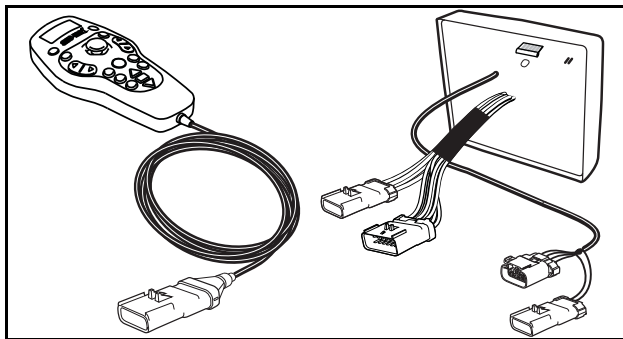
Legacy Control (Straight Blades Only)	5
---	---



Legacy Control (V-Plow Only)	7
------------------------------------	---



ProControl	9
------------------	---



ProControl II	11
---------------------	----

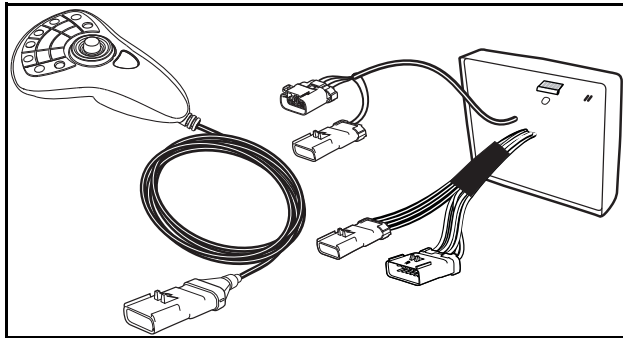
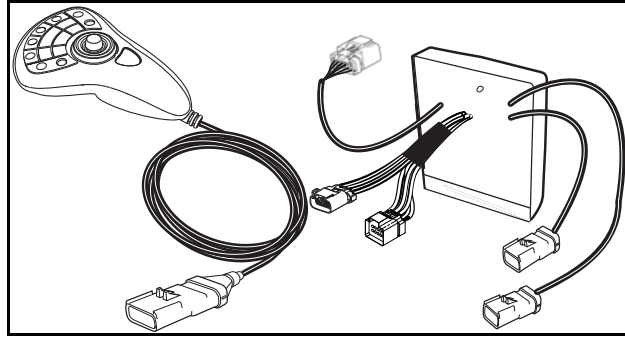


TABLE OF CONTENTS

Page

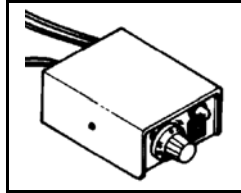
ProControl 2 Plus 13



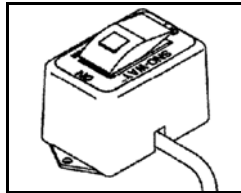
Energy Smart System (ESS) Wiring 17

PARTS - SPREADER CONTROLS

Variable Control (Spreaders: 4, 6 & 9 cu. ft.) 19



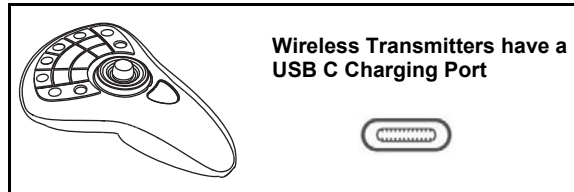
On/Off Control (Spreaders: 4, 6 & 9 cu. ft.) 21



ProControl II and Variable Speed Control (Spreaders: 4, 6 & 9 cu. ft.) 23



ProControl 3 and Variable Speed Control (Spreaders: 4, 6 & 9 cu. ft.) 25



Drop Spreader Control (Spreader: DRP 650) 27

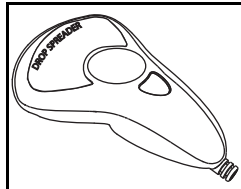
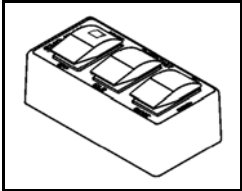
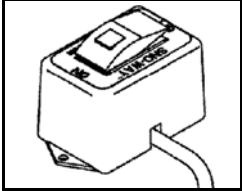
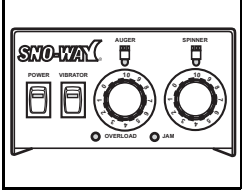
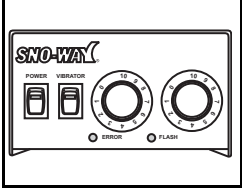
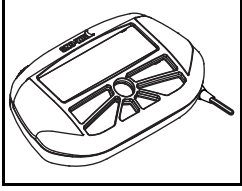


TABLE OF CONTENTS

	Page
CAB Control (Spreader: Gas V-Box)	29
	
On/Off Control (Spreader: Electric V-Box).....	31
	
Dual Variable Control (Spreader: Electric V-Box)	33
	
Dual Variable Control (Spreader: PDE Series)	35
	
Revolution Spreader Control (Spreader: RVB & PDE Series).....	37
	
NUMERICAL INDEX	39

PARTS LIST INTRODUCTION

Our dealership network stands by to provide you with any assistance you may require, including genuine Sno-Way service parts. All parts should be obtained from or ordered through your dealer. Give complete information about the part(s) at time of order, and include the Model and applicable Serial Numbers of your machine.

NOTE: The Model and all Serial number information should be recorded on page two of your Installation and Owner's Manual for ease of reference. The location of these numbers on the machine is detailed in the manual as well.

"Right" and "Left" are determined from a position sitting on the Operators seat of the vehicle.

We reserve the right to make changes or improvements in the design or construction of any part without incurring the obligation to install such changes in any unit previously delivered.

USING THIS PARTS LIST

A sample parts listing is shown below:

- The **"ITEM"** in column one is the number used in the corresponding illustration.
- The **"PART NO."** in column two is the number used to order replacement parts. If a number does not appear in the column the part is only available by ordering the complete assembly.
- The **"DESCRIPTION"** in column three is the name of the replacement part. At times the name may be indented, this means that the indented parts are part of the preceding assembly.
- The **"QTY."** in column four is the quantity needed to service the assembly illustrated, not the complete product.

ITEM	PART NO.	DESCRIPTION	QTY.
1	96100083	O-ring	1
2	96001529	Elbow	3
3	98100036	Capscrew, Hex., 3/8"-16NC x 7/8"	9

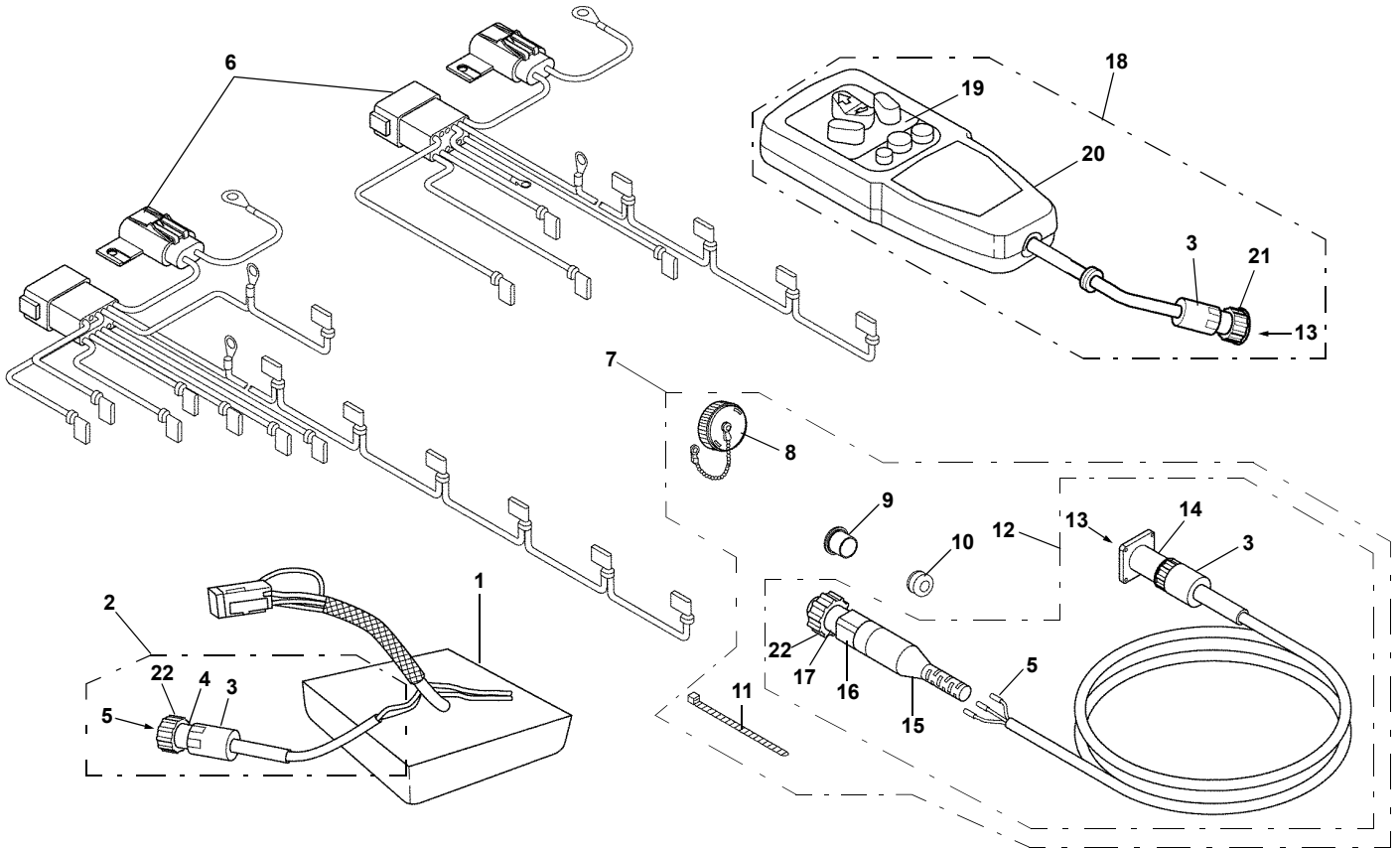
PART DESCRIPTION ABBREVIATIONS

Our Part Descriptions use common industry standard abbreviations in the naming conventions for many individual items. The list below details the abbreviations commonly used throughout this manual. If a specific abbreviation is not listed, contact any Sno-Way Dealer for clarification.

ABBREV.	DESCRIPTION
BRKT	BRACKET
CB	CARRIAGE BOLT
CLP	CLEVIS PIN
COTP	COTTER PIN
DP	DOWN PRESSURE
DS	DRIVER SIDE
EB	EYE BOLT
GR	GRADE
HDWE	HARDWARE
HHCS	HEX HEAD CAP SCREW
HN	HEX NUT
HNILN	HEX NYLON INSERT LOCKNUT

ABBREV.	DESCRIPTION
HW	HARD WIRED
HWH	HEX WASHER HEAD
LN	LOCK NUT
LW	HELICAL LOCK WASHER
PS	PASSENGER SIDE
PW	PLAIN FLAT WASHER
SHCS	SOCKET HEAD CAP SCREW
SLT	SLOTTED
SS	STAINLESS STEEL
ST	SELF-THREADING
UB	U-BOLT
WL	WIRELESS

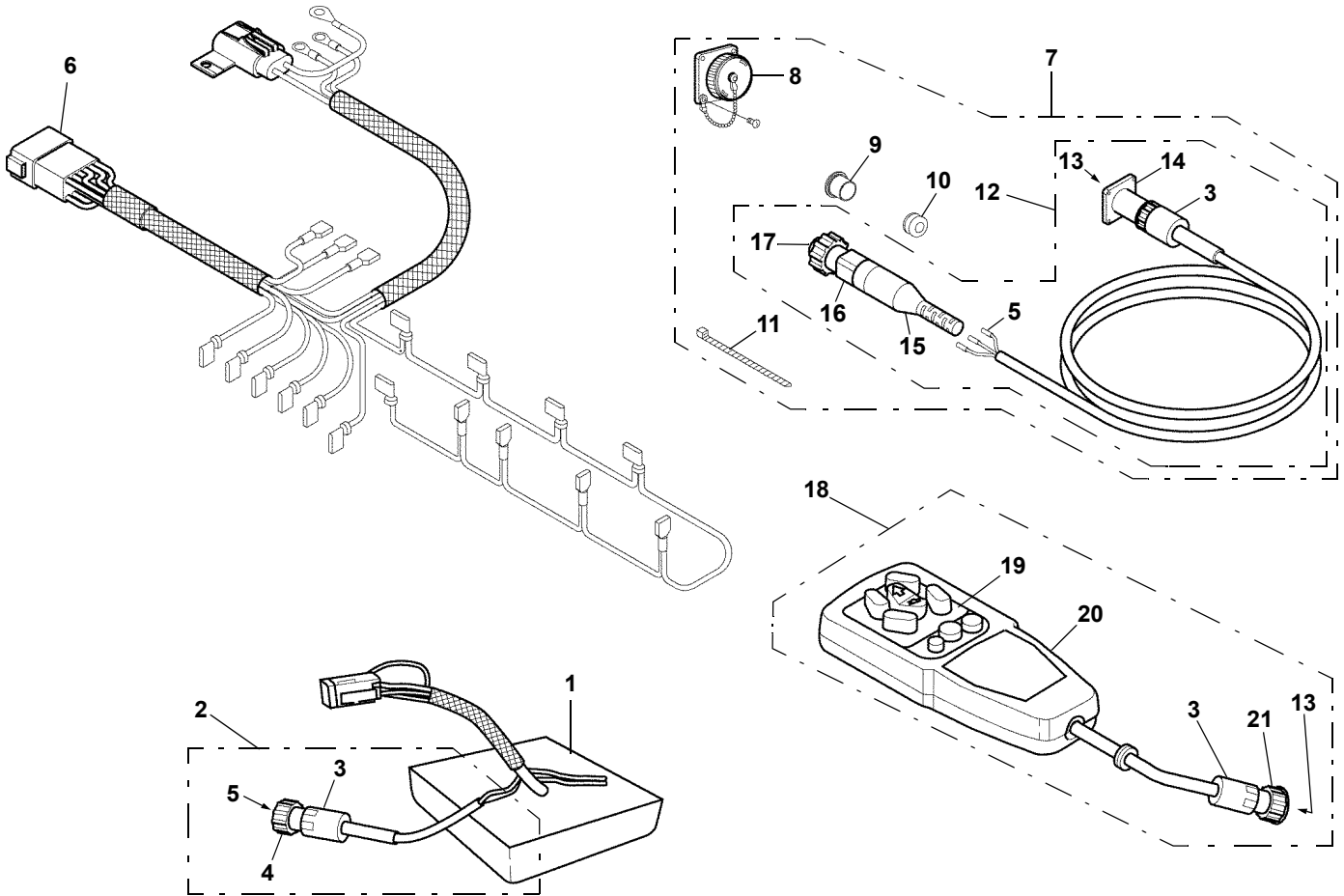
Legacy Control (Straight Blades Only)



Legacy Control (Straight Blades Only)

ITEM	PART NO.	DESCRIPTION	QTY
1	96105083	Module, Wired Control	1
2	96105487	Harness Repair Kit	1
3	96105709	Clamp, Cable	3
4	96105418	Connector, Plug.....	1
5	96105370	Contact, Signal Socket.....	6
6	96105131	Harness, Solenoids - Gravity Down	1
	96108247	Harness, Solenoids - Down Pressure	1
7	96105081	Bag, Harness Controls	1
8	96105300	Cap, Screw-On.....	1
9	96105284	Cap, 1/2"	1
10	96104893	Grommet, 5/16" ID	1
11		Strap, Plastic Tie	5
12	96105101	Harness, Vehicle	1
13	96105416	Contact, Signal Pin.....	6
14	96105710	Connector, Receptacle, Flanged	1
15	96105419	Boot, Cable	1
16	96105420	Grip, Cable	1
17	96105708	Connector, Plug, Unsealed	1
18	96107354	Controller Assembly, Wired	1
19	96107356	Touch Pad, Straight Blade	1
20	96105299	Housing, Controller, Complete	1
21	96105417	Connector, Receptacle	1
22	96106533	Coupling Ring.....	2
23	96105325	Insertion Tool for Circular Connectors (Not shown).....	1
24	96105404	Extraction Tool for Circular Connectors (Not shown)	1
25	96105877	Kit, Connector Repair (Not shown) (includes: (3) #3, (1) #4, (6) #5, (6) #13, (1) #14, (1) #15, (1) #16, (1) #17, (1) #21, (1) #24, (1) #25	1

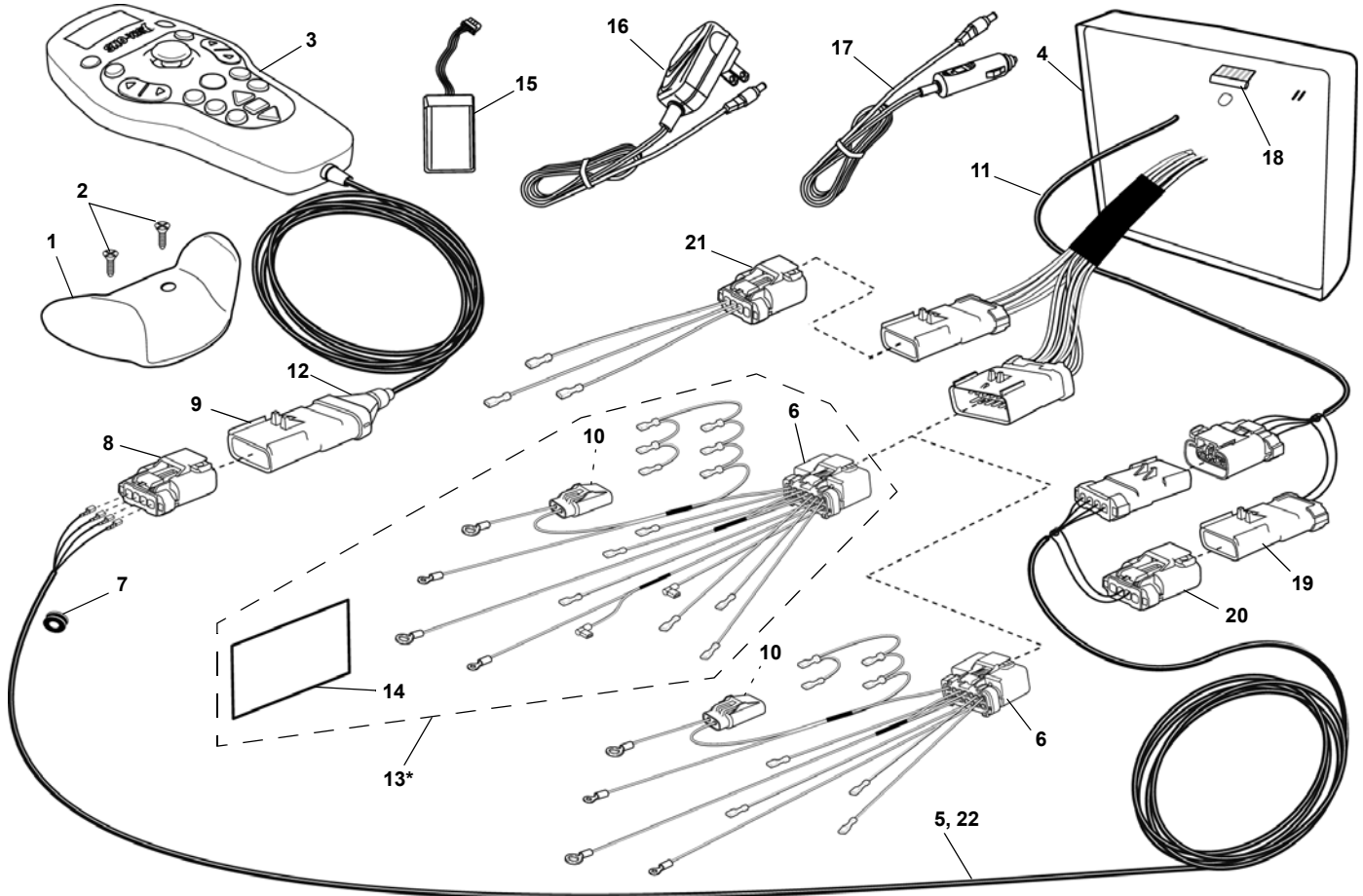
Legacy Control (V-Plow Only)



Legacy Control (V-Plow Only)

ITEM	PART NO.	DESCRIPTION	QTY
1	96105083	Module, Wired Control	1
2	96105487	Harness Repair Kit	1
3	96105709	Clamp, Cable	3
4	96105418	Connector, Plug.....	1
5	96105370	Contact, Signal Socket.....	6
6	96108295	Harness, Solenoids, DP	1
	96108294	Harness, Solenoids, Gravity.....	1
7	96105081	Bag, Harness Controls	1
8	96105300	Cap, Screw-On.....	1
9	96105284	Cap, 1/2"	1
10	96104893	Grommet, 5/16" ID	1
11		Strap, Plastic Tie	5
12	96105101	Harness, Vehicle	1
13	96105416	Contact, Signal Pin.....	6
14	96105710	Connector, Receptacle, Flanged	1
15	96105419	Boot, Cable	1
16	96105420	Grip, Cable	1
17	96105708	Connector, Plug, Unsealed	1
18	96104890	Controller Assembly	1
19	96104681	Touch Pad, V-Plow	1
20	96105299	Housing, Controller (Complete).....	1
21	96105417	Connector, Receptacle	1
22	96105325	Insertion Tool for Circular Connectors (not shown)	1
23	96105404	Extraction Tool for Circular Connectors (not shown).....	1
24	96107194	Controller, Joystick, V, Wired (not shown).....	1
25	96105877	Kit, Connector Repair (not shown) (includes (3) #3, (1) #4, (6) #5, (6) #13, (1) #14, (1) #15, (1) #16, (1) #17, (1) #21, (1) #22 & (1) #23	1

ProControl

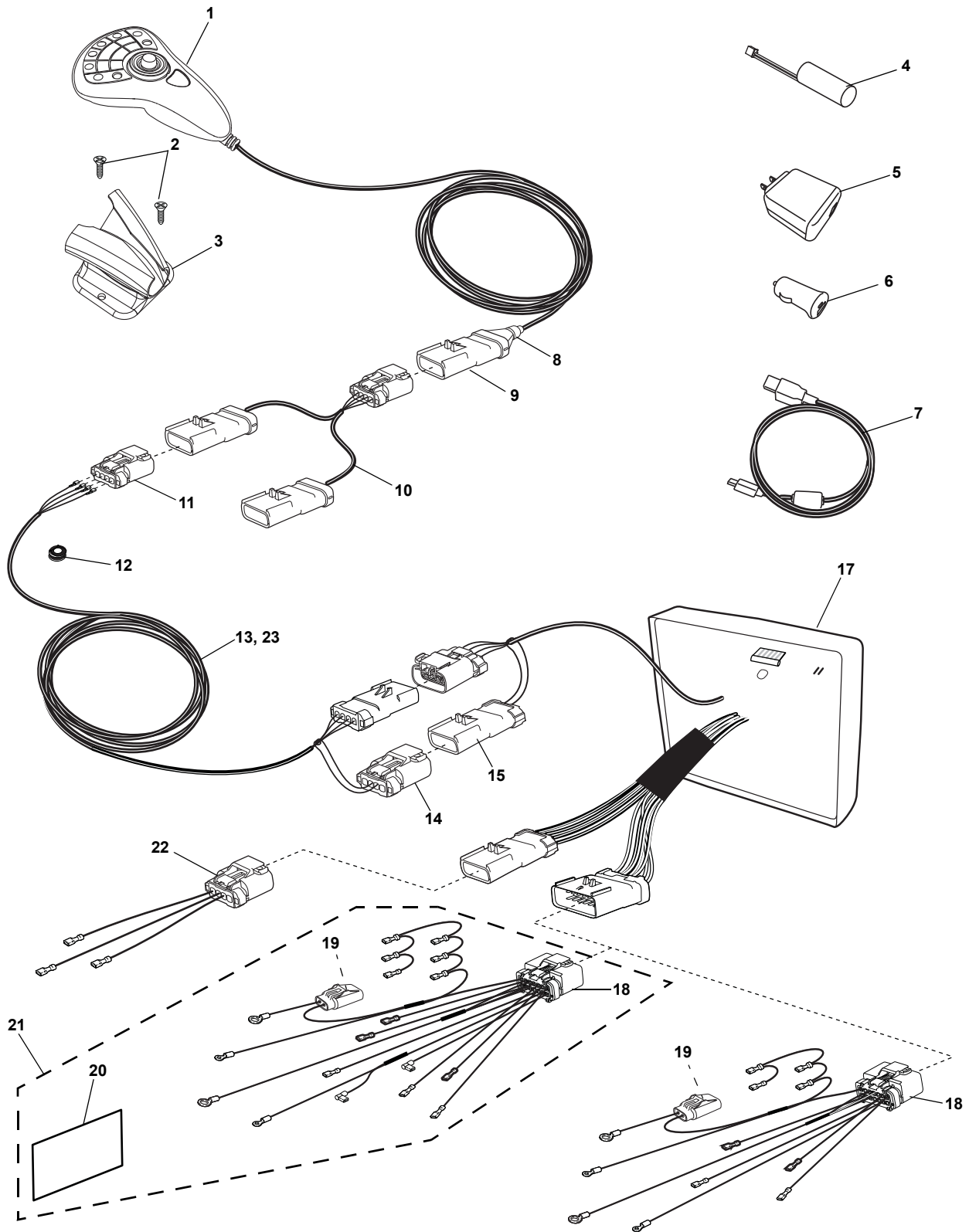


ProControl

ITEM	PART NO.	DESCRIPTION	QTY
1		Clip, Dash Mount.....	1
2	98100463	Screw	2
3	96112246	Transmitter, Wired	1
	96112244	Transmitter, Wireless.....	1
4	96112998	Module, Receiver, Wired, Universal	1
	96112260	Module, Receiver, Wireless, Universal.....	1
5	96112913	Harness, Vehicle (Includes item 20).....	1
6	96112193	Harness, Control, Solenoid, Down Pressure (Straight Blades)	1
	96112191	Harness, Control, Solenoid, Down Pressure (29R - S.N. Before 29R100604 & MBR).....	1
	96114393	Harness, Control, Solenoid, Down Pressure (26R, 29R - S.N. After 29R100604, RevHD).....	1
		Harness, Control, Solenoid, Gravity Down (Order Kit #96112955).....	1
	96112192	Harness, Control, Solenoid (29VHD & MBV)	1
7	96112419	Rubber Grommet	1
8	96112300	Connector, Female 4 Way APEX	2
	96108662	Terminal, Female, 18/20 AWG (Qty: Four per connector; Not shown).....	4
9	96112301	Connector, Male 4 Way APEX	2
	96108661	Terminal, Male, 18/22 AWG (Qty: Four per connector; Not shown).....	4
10	96112496	Fuse, 10 AMP (Not shown - In holder).....	1
	96112497	Fuse, 20 AMP (Not shown - In holder) (Used in 96112192 only)	1
11	96112931	Kit, Module Harness Repair, ProControl Wired (Not shown).....	1
12	96112840	Strain Relief.....	1
13	96112955*	Kit Upgrade, Solenoid Harness, ProControl (Includes Harness, Decal & Instructions)	1
	96113731*	Kit Upgrade, Solenoid Harness, ProControl (28V only) (Includes Harness, Decal & Instructions)	1
14		Decal, DP System, ProControl.....	1
15	96112258	Battery, Wireless	1
16	96113316	Wall Charger, ProControl, 120VAC	1
17	96112376	Car Charger, ProControl, 12VDC	1
18	96112985	Cap, Silicone	1
19	96112872	Cap, Storage, Male	1
20	96112871	Cap, Storage, Female	1
21	96112229	Harness, Power Unit, 4-Way (29R -S.N. Before 29R100604, 29VHD, MBV, MBR).....	1
	96114394	Harness, Power Unit, 4-Way (26R, 29R -S.N. After 29R100604, RevHD).....	1
22	96116601	Kit, Vehicle Harness (Includes items 5, 7, 8, & 20)	1

*Kit will upgrade Legacy DP or Gravity units. A ProControl system package must also be ordered to use this kit.

ProControl II



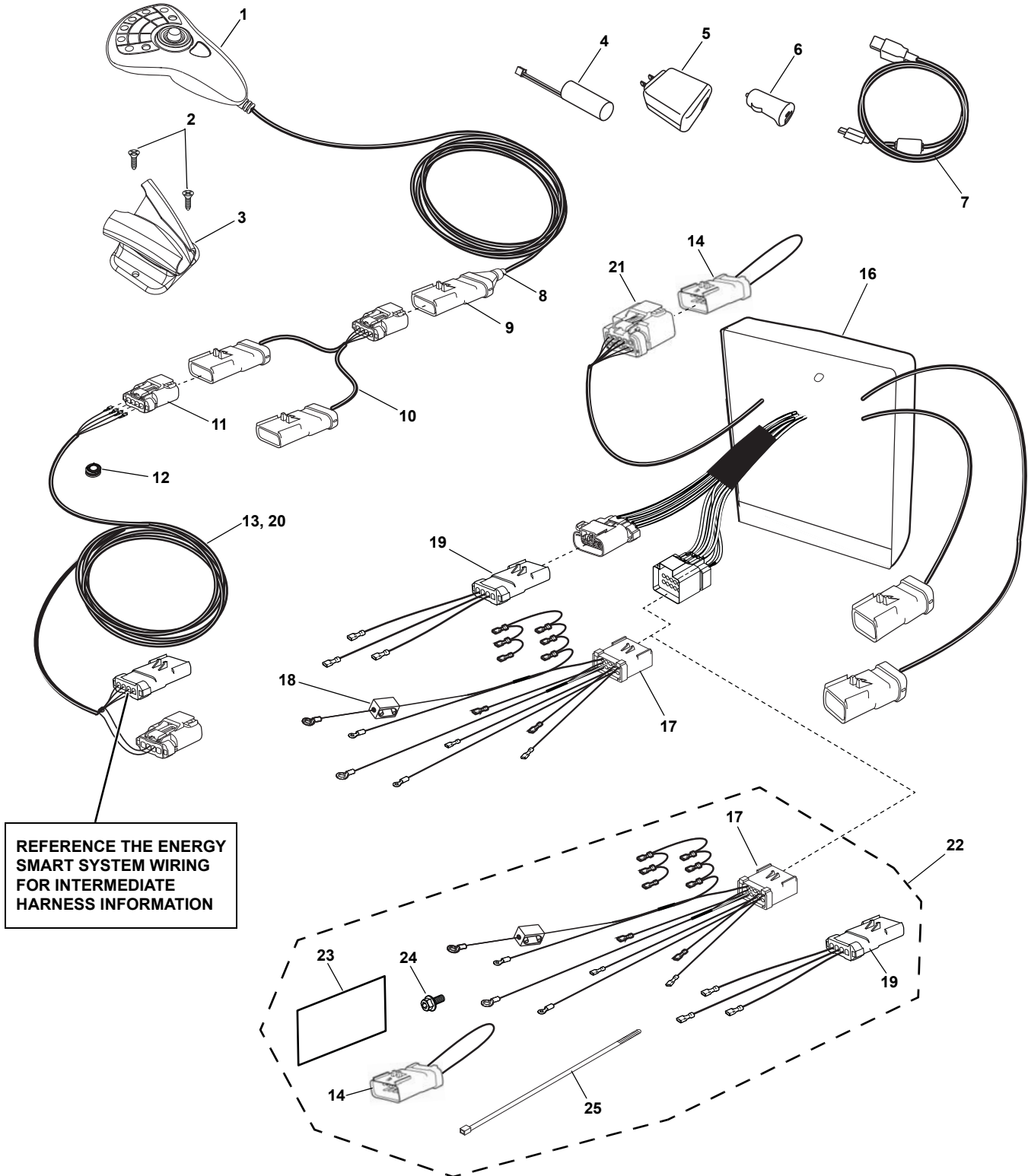
ProControl II

ITEM	PART NO.	DESCRIPTION	QTY
1	96116877	Transmitter, Wired.....	1
	96116878	Transmitter, Wireless	1
2	98009172	Screw.....	2
3	96116052	Holder, Pro Control II	1
4	96115976	Battery, Wireless	1
5	96115774	Charger, 120VAC.....	1
6	96115772	Charger, 12VDC	1
7	96115773	Cable, Charger	1
8	96112840	Strain Relief	1
9	96112301	Connector, Male, 4 Way APEX1	
	96108661	Terminal, Male, 18/20 AWG (Not shown).....	1
10	96114863	Harness, Splitter (If equipped with a Sno-Way Plow and Spreader)	1
11	96112300	Connector, Female, 4 Way APEX1	
	96108662	Terminal, Female, 18/20 AWG (Not shown)	1
12	96112419	Rubber Grommet.....	1
13	96112913	Harness, Vehicle.....	1
14	96112871	Cap, Storage, Female.....	1
15	96112872	Cap, Storage, Male	1
16	96112931	Kit, Module Harness Repair, ProControl Wlred (Not shown).....	1
17	96114031	Module, Receiver, Wired, Universal.....	1
	96114032**	Module, Receiver, Wireless, Universal	1
18	96112193	Harness, Control, Solenoid, Down Pressure (Straight Blades).....	1
	96112191	Harness, Control, Solenoid, Down Pressure (29R - S.N. Before 29R100604 & MBR)	1
	96114393	Harness, Control, Solenoid, Down Pressure (26R, 29R - S.N. After 29R100604, RevHD)	1
		Harness, Control, Solenoid, Gravity Down (Order Kit #96112955)	1
	96112192	Harness, Control, Solenoid (29VHD & MBV).....	1
	96114890	Harness, Control, UTV.....	1
	96116267	Harness, Control, Solenoid, UTV-V	1
	96117421	Harness, Control, Solenoid, 26V	1
	96112496	Fuse, 10 AMP (Not shown - In holder)	1
	96112497	Fuse, 20 AMP (Not shown - In holder) (Used in 96112192 only).....	1
20		Decal, DP System.....	1
21	96112955*	Kit Upgrade, Solenoid Harness, ProControl (Includes Harness, Decal & Instructions).....	1
	96113731*	Kit Upgrade, Solenoid Harness, ProControl (28V only) (Includes Harness, Decal & Instructions).....	1
22	96112229	Harness, Power Unit, 4-Way (29R -S.N. Before 29R100604, 29VHD, MBV, MBR)	1
	96114394	Harness, Power Unit, 4-Way (26R, 29R -S.N. After 29R100604, RevHD)	1
	96116273	Harness, Control, 4-Way, UTV-V/26V	1
23	96116601	Kit, Vehicle Harness (Includes items 11-14)	1

*Kit will upgrade Legacy DP or Gravity units. A ProControl system package must also be ordered to use this kit.

**See items 16 & 22 in ProControl 2 Plus System for replacement options.

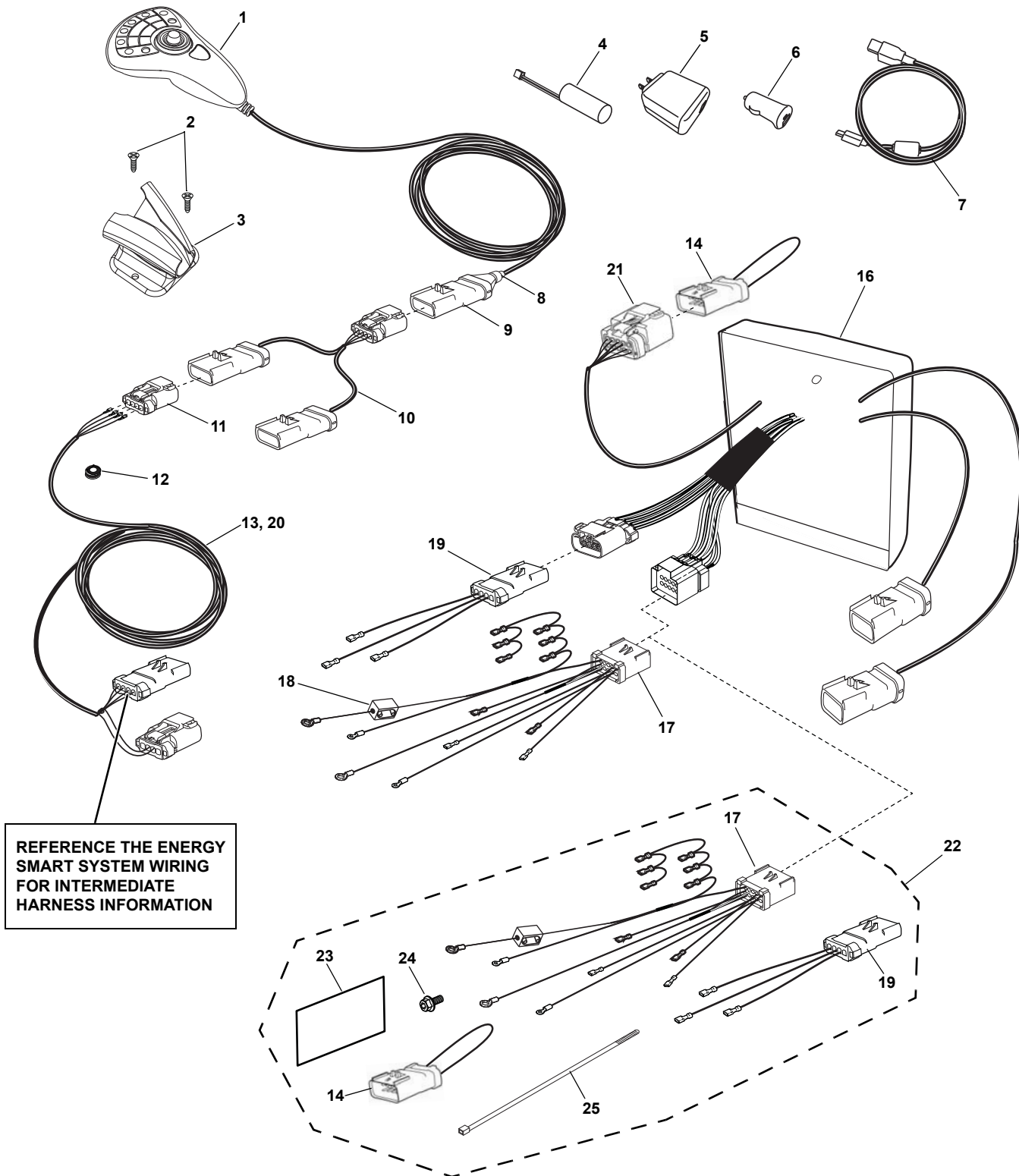
ProControl 2 Plus



ProControl 2 Plus

ITEM	PART NO.	DESCRIPTION	QTY	
1	96116877	Transmitter, Wired	1	
	96116878	Transmitter, Wireless.....	1	
	96118306	Transmitter, Wired, 29RVHD	1	
2	98009172	Screw	2	
3	96116052	Holder, Pro Control II.....	1	
4	96115976	Battery, Wireless	1	
5	96115774	Charger, 120VAC	1	
6	96115772	Charger, 12VDC.....	1	
7	96115773	Cable, Charger	1	
8	96112840	Strain Relief.....	1	
9	96112301	Connector, Male, 4 Way APEX1		
	96108661	Terminal, Male, 18/20 AWG (Not shown)	1	
10	96114863	Harness, Splitter (If equipped with a Sno-Way Plow and Spreader).....	1	
11	96112300	Connector, Female, 4 Way APEX1		
	96108662	Terminal, Female, 18/20 AWG (Not shown).....	1	
12	96112419	Rubber Grommet	1	
13	96112913	Harness, Vehicle	1	
14	96117602	Cap, Storage, 10 Pin, Male	1	
15	96112931	Kit, Module Harness Repair, ProControl Wired (Not shown).....	1	
16	96116875	Module, Receiver, Wired	1	
	96116876	Module, Receiver, Wireless.....	1	
	96118237	Module, Receiver, Wired, 29RVHD	1	
17	96117561	Harness, Control, Solenoid, Down Pressure (Series 2 Straight Blades).....	1	
	96117825	Harness, Control, Solenoid, Down Pressure (Classic Straight Blades)	1	
		Harness, Control, Solenoid, Gravity Down (Order Kit #96117943).....	1	
	96117562	Harness, Control, Solenoid (26RS2, 29RS2, RevHDS2).....	1	
	96117826	Harness, Control, Solenoid (26R, 29R, RevHD)	1	
	96117566	Harness, Control, Solenoid (26V and 26VS2).....	1	
	96118262	Harness, Control, Solenoid (29RVHD).....	1	
	96117564	Harness, Control, Solenoid (29VHDS2).....	1	
	96117827	Harness, Control, Solenoid (29VHD)	1	
	96118879	Harness, Control, Solenoid (UTV).....	1	
	96118880	Harness, Control, Solenoid (UTV-V)	1	
	18	96117800	Fuse, 50 AMP Circuit Breaker.....	1
	19	96117565	Harness, Control, Solenoid, 4-Way (26RS2, 29RS2, RevHDS2, 29VHDS2).....	1
96117828		Harness, Control, Solenoid, 4-Way (26R, 29R, RevHD, 29VHD).....	1	
96117567		Harness, Control, Solenoid, 4-Way (UTV-V, 26V, 26VS2).....	1	
96118308		Harness, Control, Solenoid, 10-Way (29RVHD).....	1	

ProControl 2 Plus (Continued)



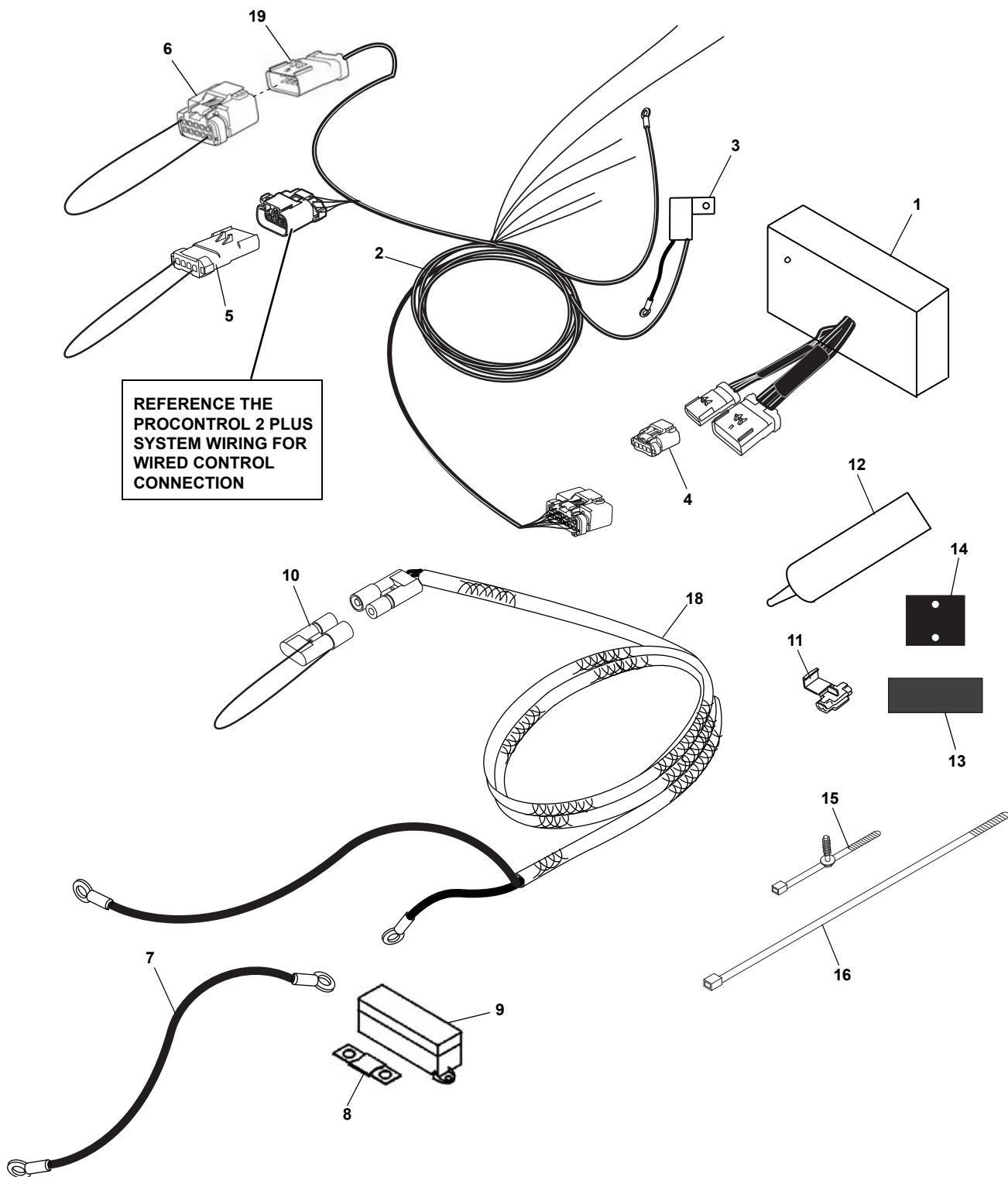
REFERENCE THE ENERGY
SMART SYSTEM WIRING
FOR INTERMEDIATE
HARNESS INFORMATION

ProControl 2 Plus (Continued)

ITEM	PART NO.	DESCRIPTION	QTY
20	96116601	Kit, Vehicle Harness (Includes items 11-13).....	1
21	96109135	Kit, Connector Replacement, 10 pin (Includes Male and Female Connectors, Terminals, Cavity Plugs)...	1
22	96118929*	Kit, Upgrade, Solenoid Harness (UTV)	1
	96118930*	Kit, Upgrade, Solenoid Harness (UTV-V).....	1
	96118931*	Kit, Upgrade, Solenoid Harness (Straight Blades)	1
	96118932*	Kit, Upgrade, Solenoid Harness (26R/29R/RevHD).....	1
	96118933*	Kit, Upgrade, Solenoid Harness (29VHD).....	1
	96118934*	Kit, Upgrade, Solenoid Harness (26V)	1
23		Decal, Pump/Wire Schematic.....	1
24		HWHTRS, 5/16-18 x 1/2"	1
25	96001227	Cable-Tie.....	3

*Kit will upgrade UTVs and units still using the EIS for operating lights, not ESS. A ProControl 2 Plus system package must also be ordered to use this kit, unless you have a 96116877 or 96116878 Transmitter, then just a Module, Receiver is needed.

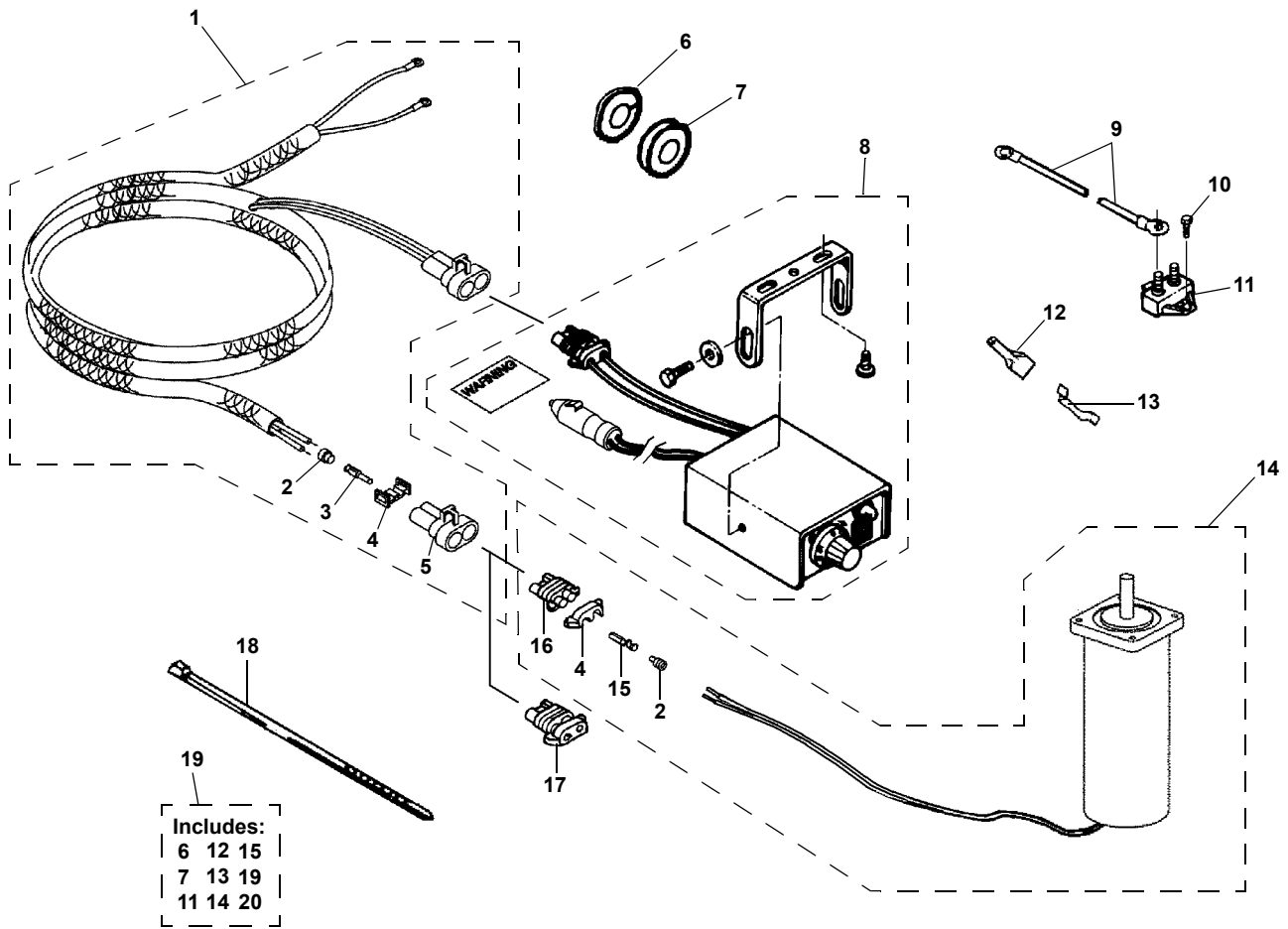
Energy Smart System (ESS[®])



Energy Smart System (ESS[®])

ITEM	PART NO.	DESCRIPTION	QTY
1	96116874	ESS Vehicle Receiver.....	1
2	96116864	ESS Vehicle Wiring Harness	1
3	96112496	Fuse, 10 AMP (Not shown - In holder)	1
4	96112300	Connector, Female, 4 Way APEX.....	1
5	96112872	Cap, Storage, Male	1
6	96117601	Cap, Storage, Female	1
7	96102891	Cable, Positive (Red).....	1
8	96109142	Fuse, 250 amp	1
9	96109143	Fuse Holder	1
10	96105082	Cap, Storage, 2 Pin.....	1
11	96115420	Connector, Splice Tap	1
12	96108998	Tube, Anti-Corrosion Compound	1
13	96105945	Hook and Loop Fastener	1
14	96117794	Base, Cable-Tie Mount, Adhesive	2
15	96117774	Cable-Tie, Fir Tree Mount.....	2
16	96001227	Cable-Tie	8
17	96117793	Kit, Install, ESS (Not shown) (Includes items 4-16)	1
18	96104221	Harness, Battery Power	1
19	96109135	Kit, Connector Replacement, 10-Pin (Includes Male and Female Connectors, Terminals, Cavity Plugs) ..	1

Variable Control (Spreader: 4, 6 & 9 cu. ft.)

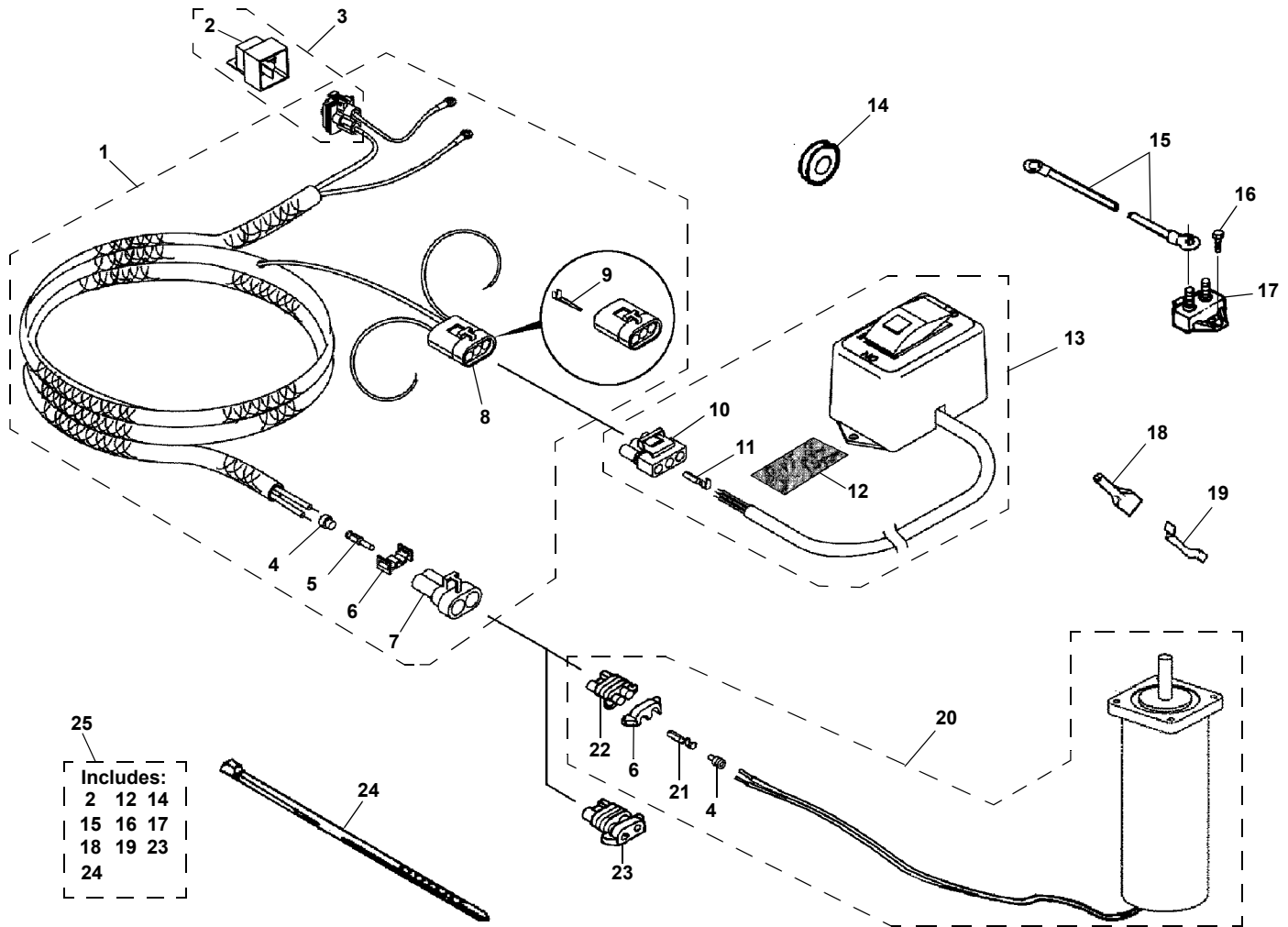


Variable Control (Spreaders: 4, 6 & 9 cu. ft.)

ITEM	PART NO.	DESCRIPTION	QTY
1	96102293	Harness, Variable Control	1
2	96114755	Seal	8
3	96102442	Terminal, Male	4
4	96102418	Lock, Secondary	4
5	96102441	Connector, Male	2
6	96101846	Seal, Neoprene	1
7	96002077	Grommet, 3/4"	1
8	96104104	Controller, Variable (Controller SN 010175 & later shown SEE NOTE)	1
9	96102362	Wire, Power	1
10	98100037	Screw, Self Tapping #10 x 1"	2
11	96102344	Breaker, Circuit, 40A	1
12	96002085	Terminal, 1/4", Female Push-On	1
	96101845	Connector, Female	1
13	96002083	Tap, 1/4", ATC/ATO Fuse	1
	96101832	Tap, 1/4", Mini Fuse	1
14		Motor (See Spreader Service Parts Manual - 97101927)	1
15	96102347	Terminal, Female	4
16	96102346	Connector, Female	2
17	96102417	Cap, Storage	1
18		Tie, Cable	5
19	96102310	Bag of Parts (Variable Control)	1

NOTE: Variable Controllers with serial numbers before 010175 were not equipped with disconnect protection or cigarette lighter adapter power connection. Variable Controllers with these improvements are backwards compatible and can be purchased as service replacements for older controllers.

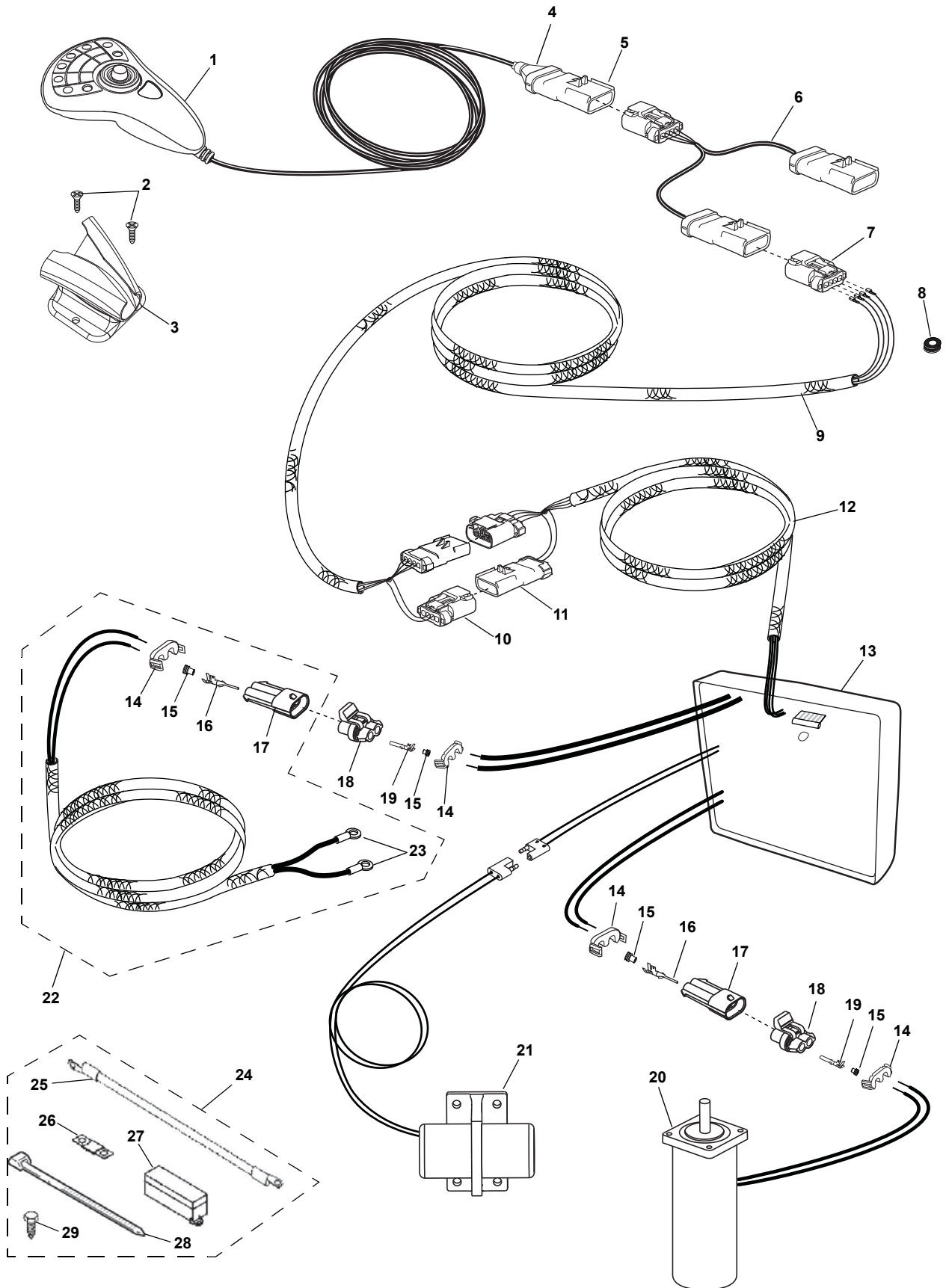
On/Off Control (Spreaders: 4, 6 & 9 cu. ft.)



On/Off Control (Spreaders: 4, 6 & 9 cu. ft.)

ITEM	PART NO.	DESCRIPTION	QTY
1	96105890	Harness, On/Off Control.....	1
2	96114982	Relay, 70A.....	1
3	96115061	Kit, Relay (Includes 70A Relay, Connector, Terminals and Seal).....	1
4	96114755	Seal.....	4
5	96102442	Terminal, Male.....	2
6	96102418	Lock, Secondary.....	2
7	96102441	Connector, Male.....	1
8	96105940	Connector, Male.....	1
9	96105942	Terminal, Male Pin.....	3
10	96105941	Connector, Female.....	1
11	96105943	Terminal, Female.....	2
12		Strip, Hook and Loop Fastener.....	1
13	96105793	Controller, On/Off.....	1
14	96104893	Grommet, 1/2" O.D.....	1
15	96102362	Wire, Power.....	1
16	98100037	Screw, Self Tapping #10 x 1".....	2
17	96105893	Breaker, Circuit, 25A.....	1
18	96002085	Terminal, 1/4", Female Push-On.....	1
	96101845	Connector, Female.....	1
19	96002083	Tap, 1/4", ATC/ATO Fuse.....	1
	96101832	Tap, 1/4", Mini Fuse.....	1
20		Motor (See Spreader Service Parts Manual - 97101927).....	1
21	96102347	Terminal, Female.....	2
22	96102346	Connector, Female.....	1
23	96102417	Cap, Storage.....	1
24		Tie, Cable.....	5
25	96105908	Bag of Parts (On/Off Control).....	1

ProControl II and Variable Speed Control (Spreaders: 4, 6 & 9 cu. ft.)



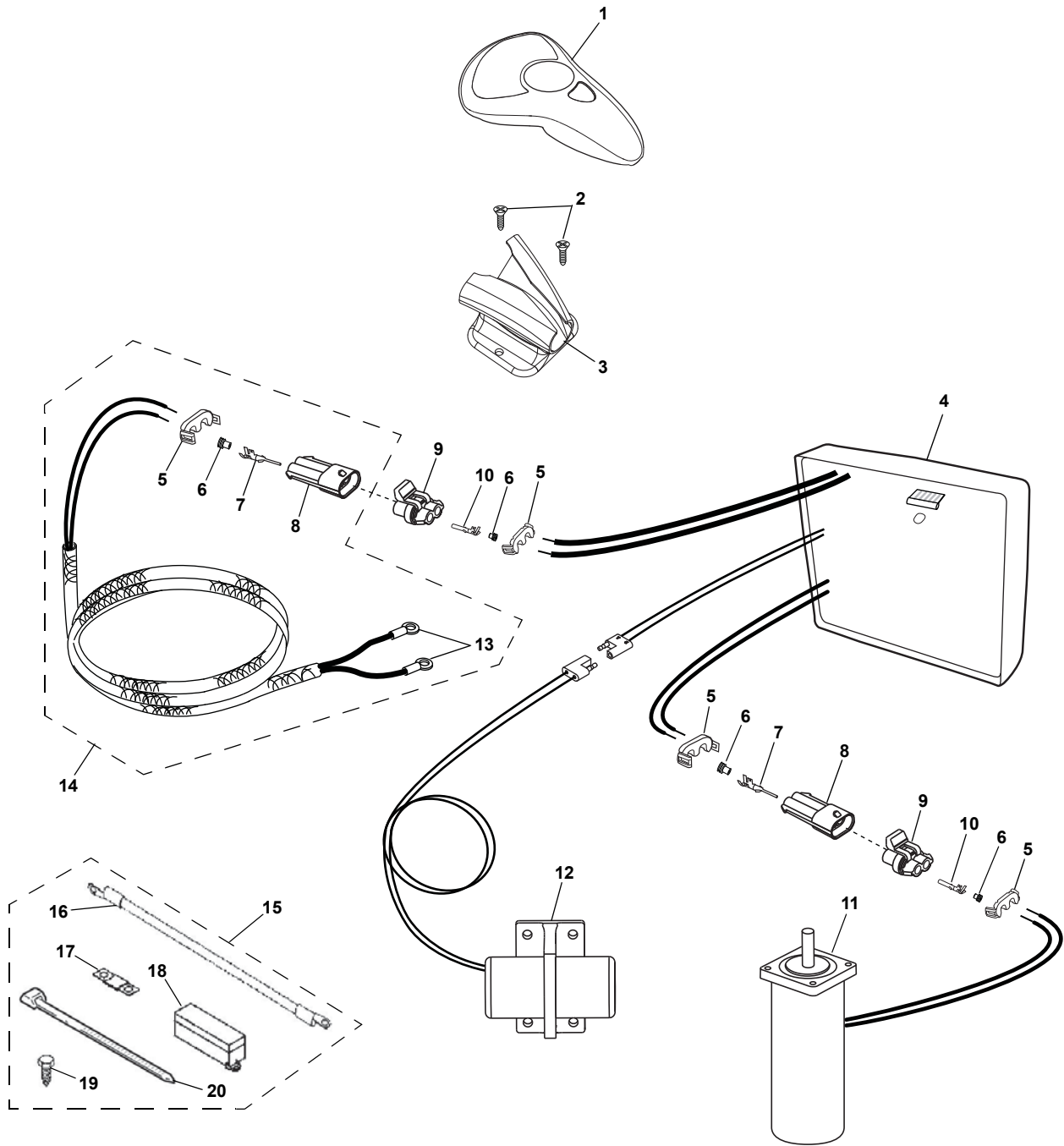
ProControl II and Variable Speed Control (Spreaders: 4, 6 & 9 cu. ft.)

ITEM	PART NO.	DESCRIPTION	QTY
1	96116877	Transmitter, Wired (Plow & Spreader).....	1
	96116878	Transmitter, Wireless (Plow & Spreader)	1
	96116049	Transmitter, Wired, Variable Speed (Spreader Only)	1
	96116050	Transmitter, Wireless, Variable Speed (Spreader Only)	1
2	98009172	Screw	2
3	96116052	Holder, Pro Control 2.....	1
4	96112840	Strain Relief.....	1
5	96112301	Connector, Apex Male, 4-Way.....	3
	96108661	Terminal, Male, 18/20 AWG (Not shown)	12
6	96114863	Harness, Splitter (If equipped with Sno-Way Plow & Spreader).....	1
7	96112300	Connector, Apex Female, 4-Way	2
	96108662	Terminal, Female, 18/20 AWG (QTY: Four per connector; Not shown)	12
8	96112419	Grommet, Rubber	1
9	96114862	Harness, Vehicle, Spreader (Includes item 10)	1
10	96112871	Cap, Storage, Female	1
11	96112872	Cap, Storage, Male	1
12	96112931	Kit, Module Harness Repair, ProControl Wired (Not shown).....	1
13	96114033	Module, Receiver, Wired, Spreader	1
	96114034**	Module, Receiver, Wireless, Spreader	1
14	96102418	Lock, Secondary	4
15	96114755	Seal	4
16	96102442	Terminal, Male	4
17	96102441	Connector, Male, 2-Pin.....	2
18	96102346	Connector, Female, 2-Pin	2
19	96102347	Terminal, Female.....	4
20		Motor, Spinner (See Note).....	1
21		Vibrator (Optional Accessory)	1
22	96115356	Harness, Power, Spreader	1
23	96115358	Terminal, Ring, 3/8"	2
24	96115709	Bag, Power Harness Parts.....	1
25	96115706	Cable, Power.....	1
26	96115666	Fuse, 100 Amp	1
27	96115667	Fuse Holder.....	1
28	96001227	Strap, Tie Plastic	2
29	98100037	Screw, Self-tapping, #10-16 x 1"	2

NOTE: See Spreader Service Parts Manual - 97101927

** See items 1 & 4 in ProControl 3 Variable Speed Control system for replacement options.

ProControl 3 Variable Speed Control (Spreaders: 4, 6 & 9 cu. ft.)

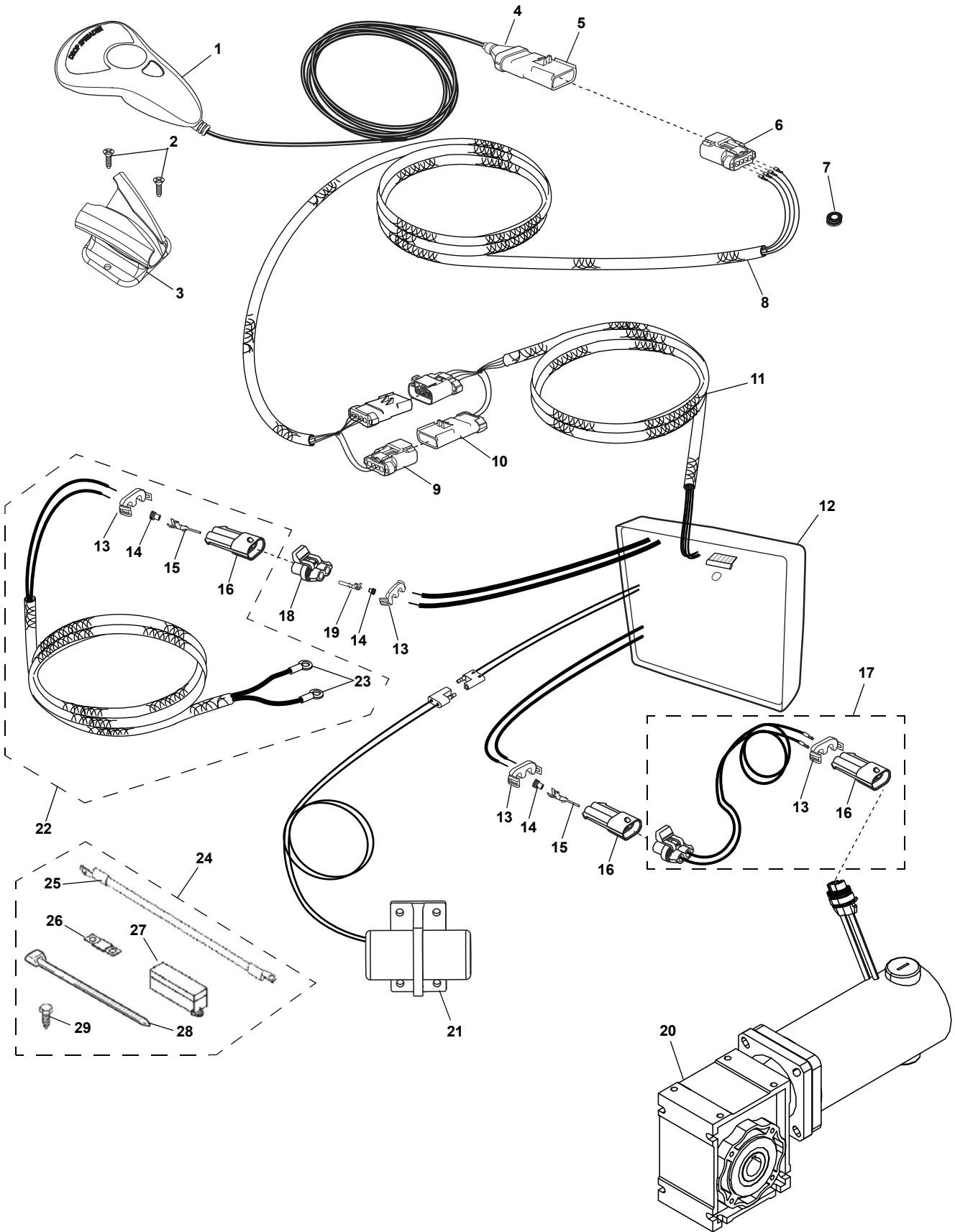


ProControl 3 Variable Speed Control (Spreaders: 4, 6 & 9 cu. ft.)

ITEM	PART NO.	DESCRIPTION	QTY
1	96118611	Transmitter, Wireless, Variable Speed (Spreader Only)	1
2	98009172	Screw	2
3	96116052	Holder, Pro Control 2.....	1
4	96118613	Module, Receiver, Wireless, Spreader	1
5	96102418	Lock, Secondary.....	4
6	96114755	Seal	4
7	96102442	Terminal, Male	4
8	96102441	Connector, Male, 2-Pin.....	2
9	96102346	Connector, Female, 2-Pin.....	2
10	96102347	Terminal, Female.....	4
11		Motor, Spinner (See Note).....	1
12		Vibrator (Optional Accessory)	1
13	96115358	Terminal, Ring, 3/8"	2
14	96115356	Harness, Power, Spreader	1
15	96115709	Bag, Power Harness Parts	1
16	96115706	Cable, Power.....	1
17	96115666	Fuse, 100 Amp	1
18	96115667	Fuse Holder.....	1
19	98100037	Screw, Self-tapping, #10-16 x 1"	2
20	96001227	Strap, Tie Plastic	2

NOTE: See Spreader Service Parts Manual - 97101927

Drop Spreader Control (Spreader: DRP 650)

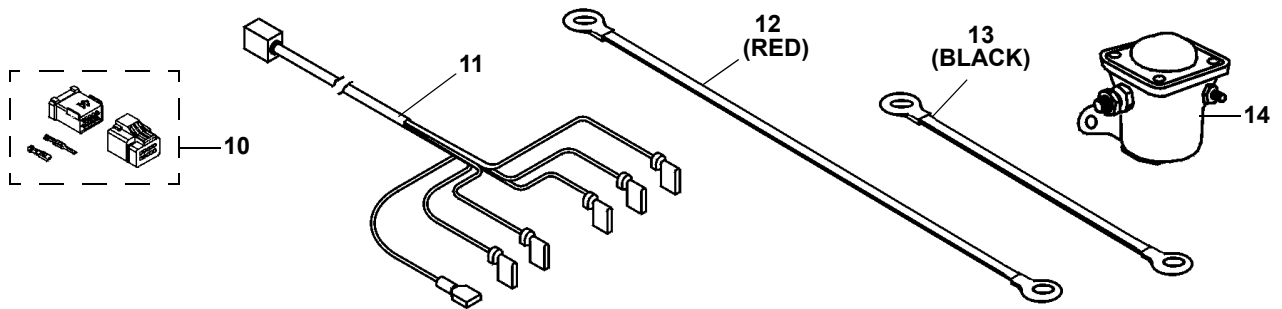
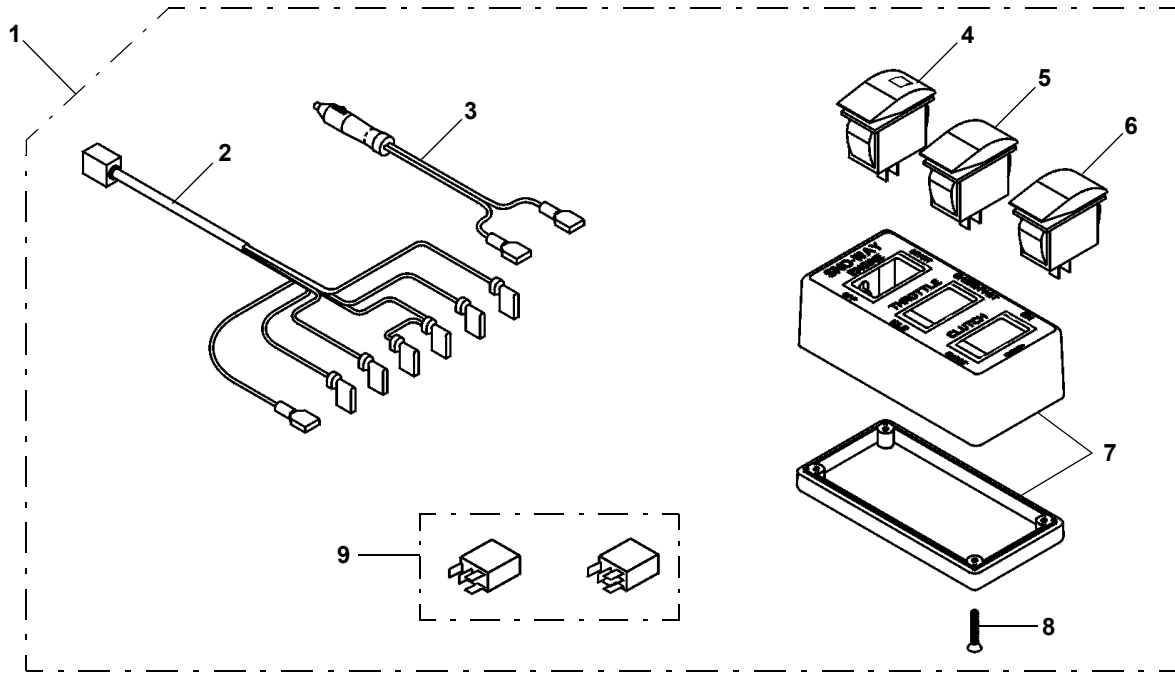


Drop Spreader Control (Spreader: DRP 650)

ITEM	PART NO.	DESCRIPTION	QTY
1	96118684	Transmitter, Wired (Drop Spreader).....	1
	96118682	Transmitter, Wireless (Drop Spreader)	1
2	98009172	Screw.....	2
3	96116052	Holder, Pro Control 2	1
4	96112840	Strain Relief	1
5	96112301	Connector, Apex Male, 4-Way	3
	96108661	Terminal, Male, 18/20 AWG (Not shown).....	12
6	96112300	Connector, Apex Female, 4-Way	2
	96108662	Terminal, Female, 18/20 AWG (QTY: Four per connector; Not shown)	12
7	96112419	Grommet, Rubber	1
8	96114862	Harness, Vehicle, Spreader (Includes item 10).....	1
9	96112871	Cap, Storage, Female	1
10	96112872	Cap, Storage, Male	1
11	96112931	Kit, Module Harness Repair, ProControl Wired (Not shown)	1
12	96118683	Module, Receiver, Wired, Spreader	1
	96118685	Module, Receiver, Wireless, Spreader.....	1
13	96102418	Lock, Secondary	4
14	96114755	Seal.....	3
15	96102442	Terminal, Male	4
16	96102441	Connector, Male, 2-Pin	3
17	96118867	Kit, Drop Spreader Receiver Harness (Includes one each item #13 and #16)	1
18	96102346	Connector, Female, 2-Pin	1
19	96102347	Terminal, Female	2
20		Motor, Gearbox Auger (See Note)	1
21		Vibrator (Optional Accessory) (See Dealer for the Optional Drop Spreader Vibrator).....	1
22	96115356	Harness, Power, Spreader.....	1
23	96115358	Terminal, Ring, 3/8".....	2
24	96115709	Bag, Power Harness Parts	1
25	96115706	Cable, Power	1
26	96115666	Fuse, 100 Amp	1
27	96115667	Fuse Holder	1
28	96001227	Strap, Tie Plastic.....	2
29	98100037	Screw, Self-tapping, #10-16 x 1".....	2

NOTE: See Drop Spreader Service Parts Manual - 97102469

CAB Control (Spreader: Gas V-Box)

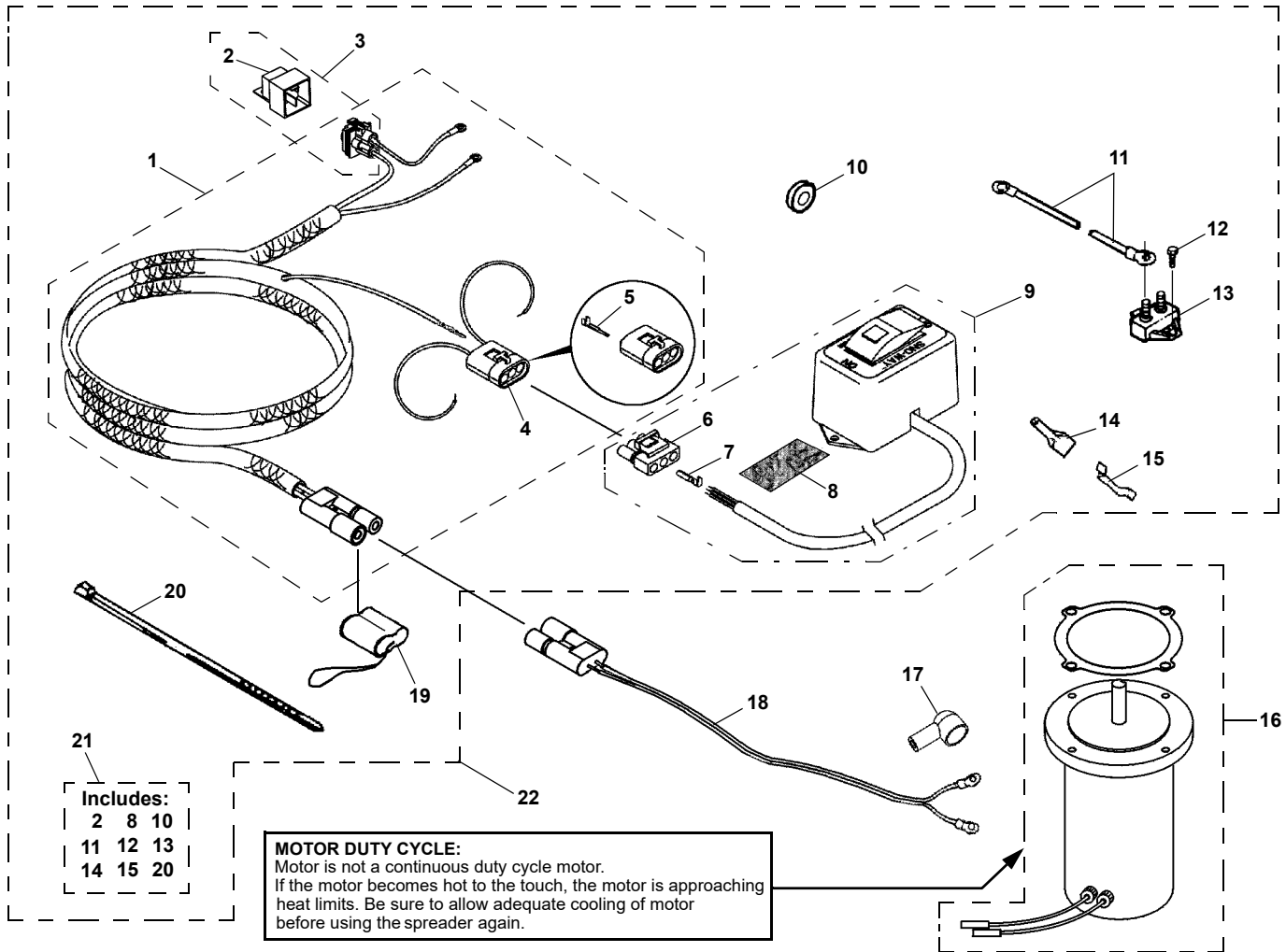


CAB Control (Spreader: Gas V-Box)

ITEM	PART NO.	DESCRIPTION	QTY
1	99100555	Controller Assembly	1
2	96108645	Harness, Main Section, 15 Feet	1
3	96106025	Harness, Cigarette Lighter Lead	1
4	96105926	Switch, On/Off/Starter, Illuminated	1
5	96107113	Switch, Throttle, Intermittent	1
6	96102480	Switch, Clutch, Intermittent	1
7	96106095	Cover, Plastic Housing	1
8		Screw	1
9	96106846	Kit, Micro-Relay	1
10	96109135	Kit, Connector Repair (includes connectors and terminals)	1
11	96108646	Harness, Spreader, 8 Feet	1
12	96107143	Positive Lead, Battery-Starter, Honda	1
	96107144	Positive Lead, Battery-Starter, Briggs.....	1
13	96107142	Negative Lead, Battery	1
14	96105042	Start Solenoid	1

* If Harness Has Molded Connectors, Purchase Connector Repair Kit (#10) For Connector or Terminal Repair.

On/Off Control (Spreader: Electric V-Box)



On/Off Control (Spreader: Electric V-Box)

ITEM	PART NO.	DESCRIPTION	QTY
1	96106630	Harness, On/Off Control.....	1
2	96114892	Relay, 70A.....	1
3	96115061	Kit, Relay (Includes Relay, Connector, Terminals and Seals.....)	1
4	96105940	Connector, Male	1
5	96105942	Terminal, Male Pin.....	3
6	96105941	Connector, Female.....	1
7	96105943	Terminal, Female.....	2
8		Strip, Hook and Loop Fastener	1
9	96105793	Controller, On/Off	1
10	96104893	Grommet, 1/2" O.D.....	1
11	96106728	Wire, Power.....	1
12	98100037	Screw, Self Tapping #10 x 1".....	2
13	96102344	Breaker, Circuit, 40A	1
14	96002085	Terminal, 1/4", Female Push-On	1
	96101845	Connector, Female.....	1
15	96002083	Tap, 1/4", ATC/ATO Fuse	1
	96101832	Tap, 1/4", Mini Fuse.....	1
16	96111764	Motor, Electric, 1/2 HP (See Note)	1
17	96106374	Boot, Cable (use with ring terminal connection).....	1
18	96106628	Harness, Motor.....	1
19	96105082	Cap Cover, Harness End	1
20		Tie, Cable.....	5
21	96106729	Bag of Parts (On/Off Control).....	1
22	99100621	Package, Electric Spreader Harness	1

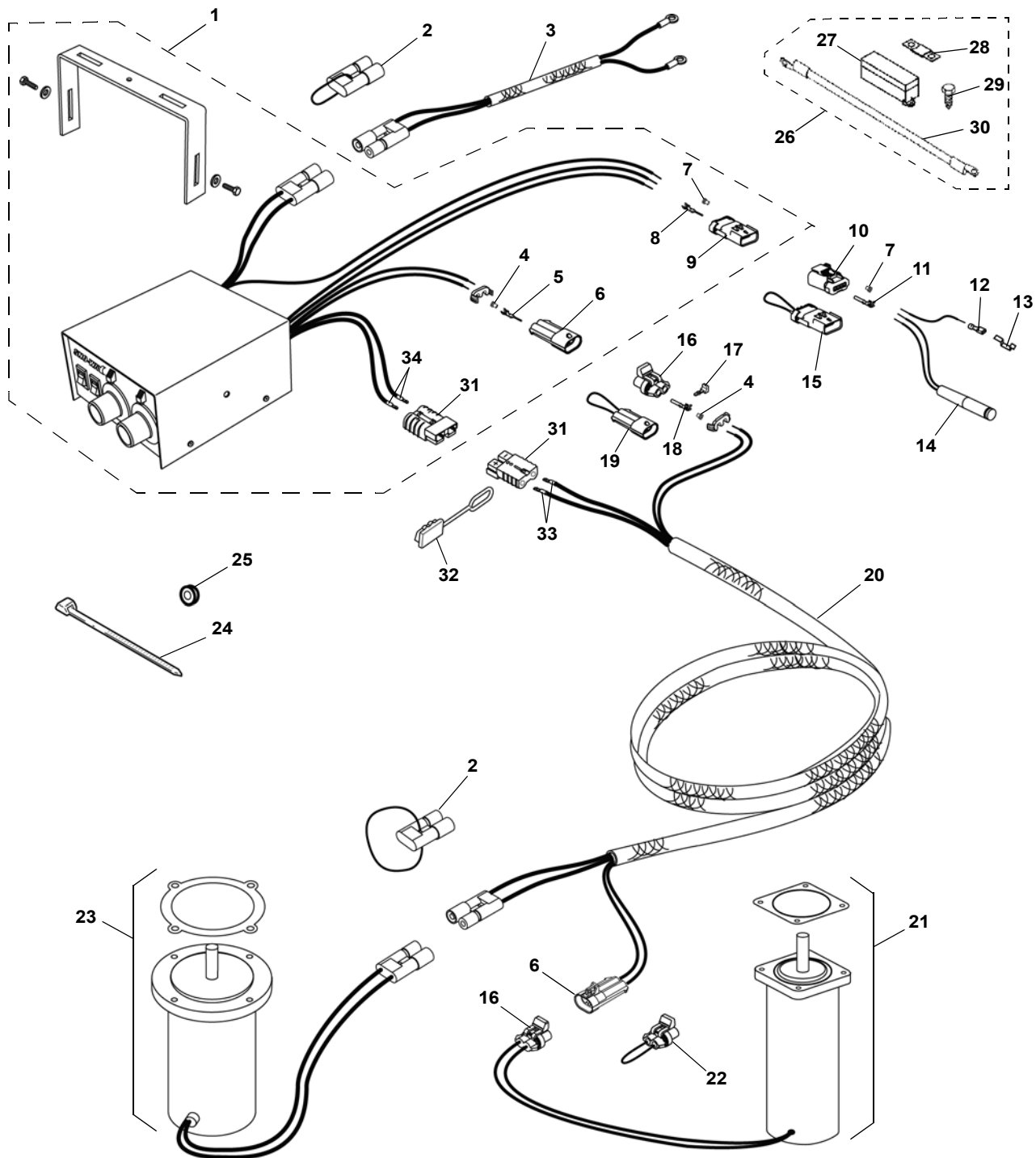
NOTE:

See Spreader Service Parts Manual:

97100701 - V-Box Gas & Electric Spreader Units

97101235 - V-Box Electric 16 Gauge Spreader Units

Dual Variable Control (Spreader: Electric V-Box)



MOTOR DUTY CYCLE:

Motors (#21 and #23) are not continuous duty cycle motors. If a motor becomes hot to the touch, the motor is approaching heat limits. Be sure to allow adequate cooling of motor before using the spreader again.

Dual Variable Control (Spreader: Electric V-Box)

ITEM	PART NO.	DESCRIPTION	QTY
1	96115024	Control, Dual Electric, V-Box.....	1
2	96105082	Cap Cover, Harness End	2
3	96113421	Harness, Battery, DEVBX.....	1
4	96114755	Seal	8
5	96102442	Terminal, Male	4
6	90102441	Connector, Male	2
7	96108142	Plug, Cavity	2
8	96108661	Terminal, Male	3
9	96112301	Connector, Male, 4-Way.....	1
10	96112300	Connector, Female, 4-Way.....	1
11	96108662	Terminal, Female.....	3
12	96113111	Connector, Flat Blade, Female, 1/4"	1
13	96002083	Tap, ATC/ATO Fuse, 1/4"	1
	96101832	Tap, Mini Fuse, 3/16"	1
14	96115368	Vibrator Light Kit.....	1
15	96112872	Cap, Apex, 4-Way, Male.....	1
16	96102346	Connector, Female. 2-Pin	2
17	96102418	Secondary Lock	2
18	96102347	Terminal, Female.....	4
19	96115129	Cap, Metri Pack, 2-Way, Male.....	1
20	96114865	Harness, Main DEV.....	1
21	96113295	Motor, Electric, 1/3 HP (See Note).....	1
22	96115130	Cap, Metri Pack, 2-Way, Female.....	1
23	96111764	Motor, Conveyor Feed, 1/2 HP (See Note)	1
24		Tie, Cable	10
25	96104893	Grommet	1
26	96115623	Bag, Power Harness Parts.....	1
27	96109143	Fuse Holder.....	1
28	96109141	Fuse, 150 Amp	1
29	98100037	Screw, Self-Tapping, #10-16 x 1"	2
30	96115624	Cable, Power.....	1
31	96115720	Connector, 2 pin	2
32	96115721	Cap, Connector	1
33	96115718	Terminal, Harness, 8 Ga.	2
34	96115719	Terminal, Controller, 10/12 Ga.	2

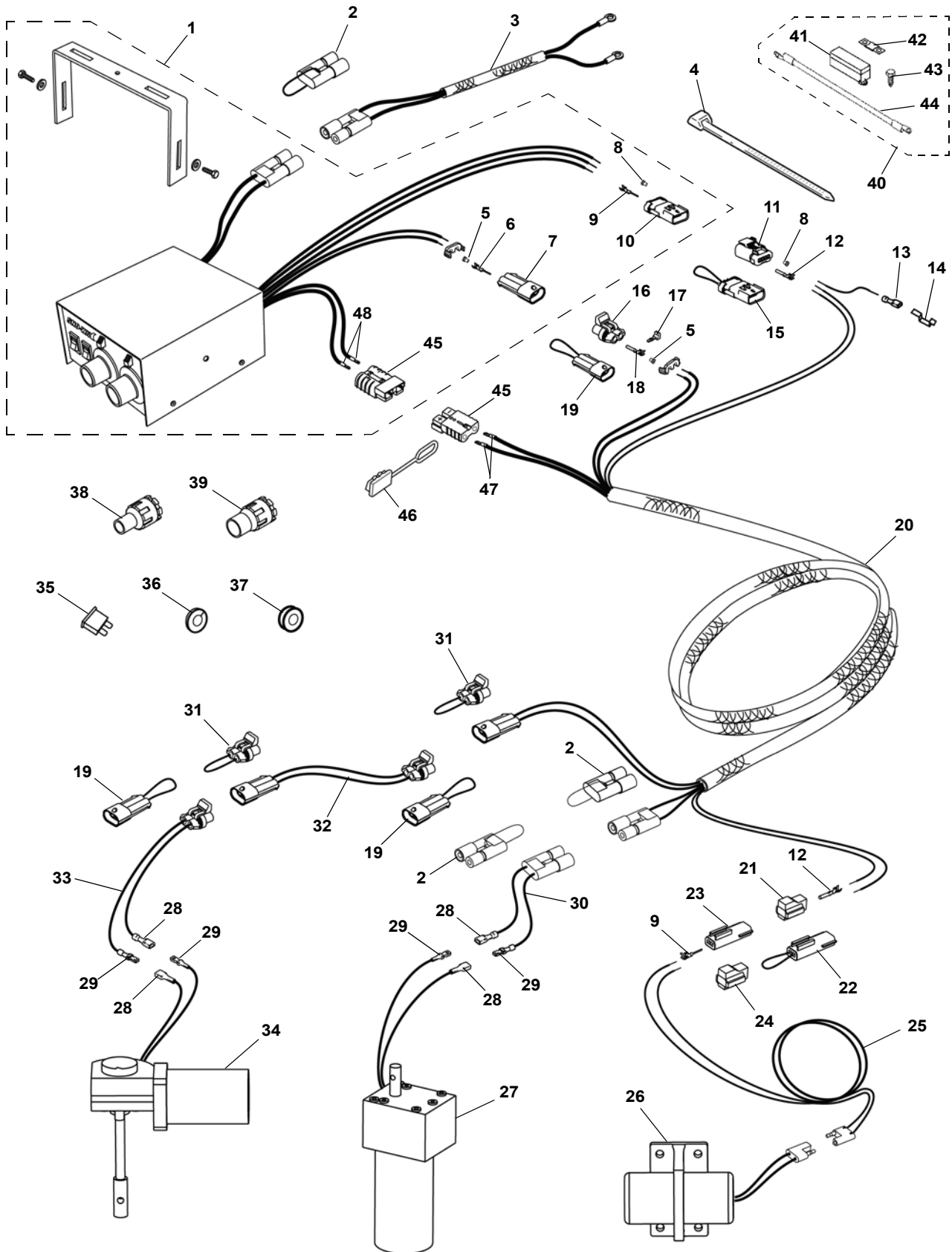
NOTE:

See Spreader Service Parts Manual:

97100701 - V-Box Gas & Electric Spreader Units

97101235 - V-Box Electric 16 Gauge Spreader Units

Dual Variable Control (Spreaders: PDE Series)



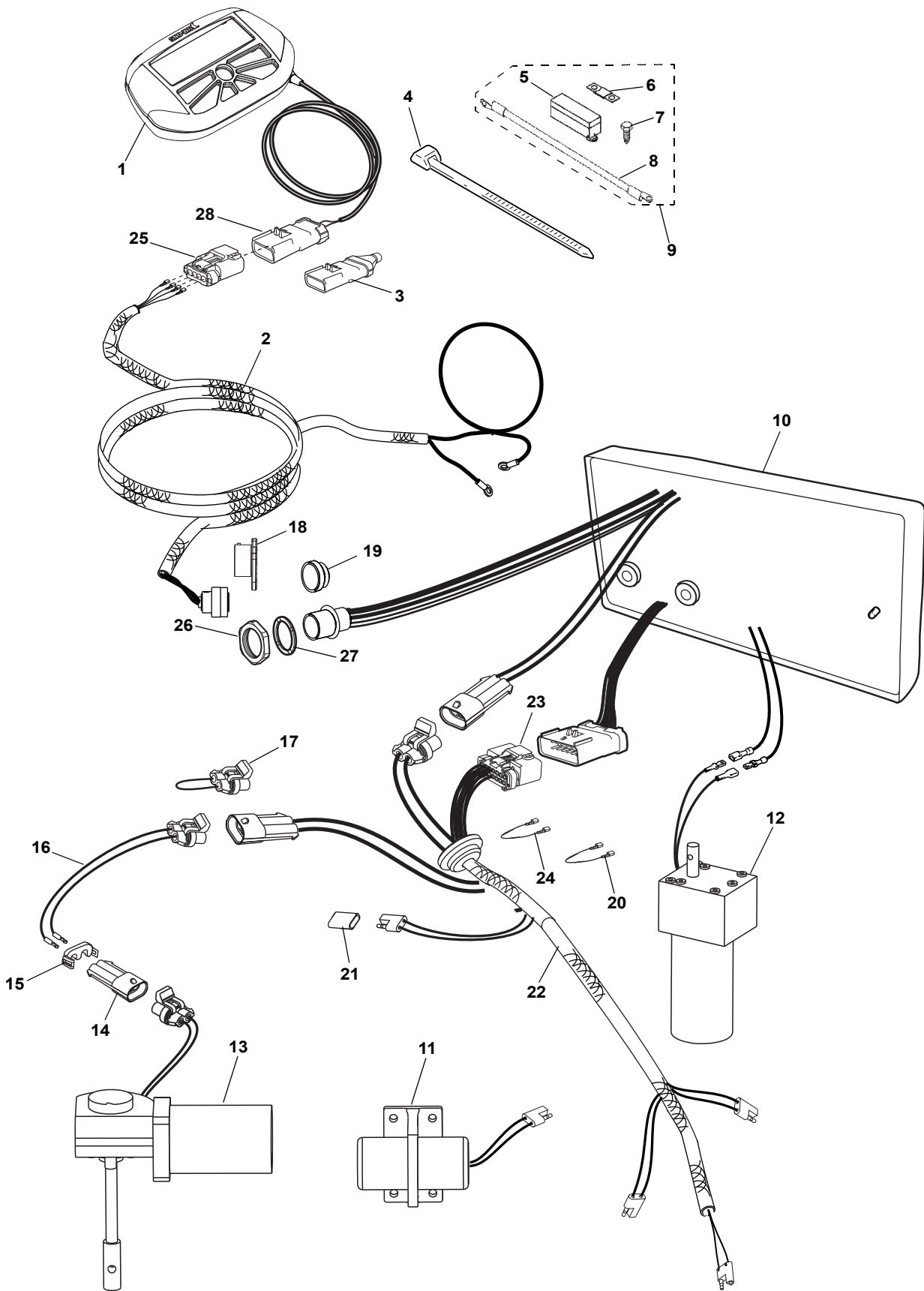
Dual Variable Control (Spreaders: PDE Series)

ITEM	PART NO.	DESCRIPTION	QTY
1	96115022	Control, PDE, V-Box.....	1
2	96105082	Cap, Protective.....	3
3	96113421	Harness, Battery, DEVBX.....	1
4		Tie, Cable, Black, 11"	5
5	96114755	Seal	8
6	96102442	Terminal, Male.....	4
7	90102441	Connector, Male	2
8	96108142	Plug, Cavity	2
9	96108661	Terminal, Male.....	3
10	96112301	Connector, Male, 4-Way.....	1
11	96112300	Connector, Female, 4-Way.....	1
12	96108662	Terminal, Female.....	5
13	96002085	Terminal, Female, Push On, 1/4"	1
14	96101832	Tap, Fuse	1
15	96112872	Cap, Apex, 4-Way, Male.....	1
16	96102346	Connector, Female. 2-Pin	2
17	96102418	Secondary Lock	2
18	96102347	Terminal, Female.....	4
19	96115129	Cap, Metri Pack, 2-Way, Male.....	3
20	96114865	Harness, Main DEV.....	1
21	96112731	Connector Body, Female, 2-Way	1
22	96115131	Cap, Apex, 2-Way, Male.....	1
23	96112732	Connector Body, Male, 2-Way.....	1
24	96115133	Cap, Apex, 2-Way, Female	1
25	96115347	Harness, Vibrator Loop (See Note 1).....	1
26		Vibrator, 200 LB/S (See Note 2).....	1
27		Motor, Auger Drive (See Note 2).....	1
28	96113111	Flat Blade Connector, Female, 1/4"	8
29	96114970	Flat Blade Connector, Male 1/4".....	8
30	96115137	Harness, Auger Loop (See Note 1).....	1
31	96115130	Cap, Metri Pack, 2-Way, Female.....	2
32	96115348	Harness, Spinner Loop (See Note 1)	1
33	96114866	Harness, Spinner Motor (Chute)	1
34		Motor, Spinner (See Note 2).....	1
35	96002083	Fuse	1
36	96101846	Seal, Neoprene	1
37	96002077	Grommet, Rubber, 3/4"	1
38	96114958	Strain Relief, Small.....	1
39	96114957	Strain Relief, Large.....	1
40	96118302	Bag, Power Harness Parts.....	1
41	96109143	Fuse Holder.....	1
42	96109141	Fuse, 150 Amp	1
43	98100037	Screw, Self-Tapping, #10-16 x 1"	2
44	96115624	Cable, Power.....	1
45	96115720	Connector, 2 pin	2
46	96115721	Cap, Connector	1
47	96115718	Terminal, Harness, 8 Ga.	2
48	96115719	Terminal, Controller, 10/12 Ga.	2

NOTE:

- 1) If items #25, 30 or 32 are replaced, the heat-shrinkable strain reliefs (#39 and 40) must also be replaced.
- 2) See Spreader Service Parts Manual - 97101880.

Revolution Spreader Control (Spreaders: RVB & PDE Series)



Revolution Spreader Control (Spreaders: RVB & PDE Series)

ITEM	PART NO.	DESCRIPTION	QTY
1		Transmitter, RS (99101248)	1
2		Harness, Vehicle (Includes items 3, 4, 9, & 19).....	1
3	96116163	Cap, Apex, 4-Way, Male	1
4		Tie, Cable, Black, 11"	5
5	96109143	Fuse Holder	1
6	96109141	Fuse, 125 Amp	1
7	98100037	Screw, Self-Tapping, #10-16 x 1".....	2
8	96115624	Cable, Power	1
9	96116253	Bag, Power Harness Parts	1
10	96118663	Module, Receiver, RS (96118663 is about 8-1/4" x 5-1/4". The purchase of this part requires an additional Receiver Bracket Kit, 96118975, when replacing an RS Receiver Module that is about 5" x 5-1/4") in size..	1
11		Vibrator, 200 LB/S (See Note 2)	1
12		Motor, Auger Drive (See Note 2)	1
13		Motor, Spinner (See Note 2)	1
14	96102441	Connector, Male, 2-Pin	1
15	96102418	Lock, Secondary	1
16	96114866	Harness, Spinner Motor (Chute).....	1
17	96115130	Cap, Metri Pack, 2-Way, Female	1
18	96116250	Cap, Vehicle Harness	1
19	96116114	Cap, Spreader Harness	1
20	96116628	Wire, Gray, RVB 10 (For Serial Numbers starting with 1RVB1) (Pins 6 & 13)	1
	96117313	Wire, Violet, RVB 10, 500 (For Serial Numbers starting with 1RVBDS or 50RVBDS) (Pins 6 & 13),	1
	96117314	Wire, Blue, RVB 3500, 4300 (Pins 6 & 13)	1
21	96116208	Cap	4
22	96116563	Harness, Spreader, PDE800 / RVB 1500, 2000, 2500 (shown) (See Note 1)	1
	96116562	Harness, Spreader, PDE600 / RVB 750 (See Note 1).....	1
	96116561	Harness, Spreader, PDE500 / RVB 500 (See Note 1).....	1
23	96112394	Connector, 14-Pin, Male	1
24	96116251	Wire, Tan Loop, E-Stop (Pins 5 & 12)	1
25	96116161	Connector, 4-Pin, Female	1
	96108662	Terminal, Female, 18/20 AWG (Not shown)	4
26	96116113	Nut, Connector Retention	1
27	96116209	Lock Washer, Connector	1
28	96116164	Connector, 4- Pin, Male	1
	96108661	Terminal, Male, 18/20 AWG (Not shown).....	4

NOTE:

- 1) 1-1/2" Diameter hole is needed in cover for molded grommet on harness to fit.
- 2) See Spreader Service Parts Manual - 97101880 (PDE), 97102062 (RVB).

NUMERICAL INDEX

PART NO.	PAGE	ITEM	PART NO.	PAGE	ITEM	PART NO.	PAGE	ITEM
90102441	34	6	96102418	20	4	96105404	6	24
	36	7		22	6		8	23
96001227	16	25		24	14	96105416	6	13
	18	16		26	5		8	13
	24	28		28	13	96105417	6	21
	26	20		34	17		8	21
	28	28		36	17	96105418	6	4
96002077	20	7		38	15		8	4
	36	37	96102441	20	5	96105419	6	15
96002083	20	13		22	7		8	15
	22	19		24	17	96105420	6	16
	32	15		26	8		8	16
	34	13		28	16	96105487	6	2
	36	35		38	14		8	2
96002085	20	12	96102442	20	3	96105708	6	17
	22	18		22	5		8	17
	32	14		24	16	96105709	6	3
	36	13		26	7		8	3
96101832	20	13		28	15	96105710	6	14
	22	19		34	5		8	14
	32	15		36	6	96105793	22	13
	34	13	96102480	30	6		32	9
	36	14	96102891	18	7	96105877	6	25
96101845	20	12	96104104	20	8		8	25
	22	18	96104221	18	18	96105890	22	1
	32	14	96104681	8	19	96105893	22	17
96101846	20	6	96104890	8	18	96105908	22	25
	36	36	96104893	6	10	96105926	30	4
96102293	20	1		8	10	96105940	22	8
96102310	20	19		22	14		32	4
96102344	20	11		32	10	96105941	22	10
	32	13		34	25		32	6
96102346	20	16	96105042	30	14	96105942	22	9
	22	22	96105081	6	7		32	5
	24	18		8	7	96105943	22	11
	26	9	96105082	18	10		32	7
	28	18		32	19	96105945	18	13
	34	16		34	2	96106025	30	3
	36	16		36	2	96106095	30	7
96102347	20	15	96105083	6	1	96106374	32	17
	22	21		8	1	96106533	6	22
	24	19	96105101	6	12	96106628	32	18
	26	10		8	12	96106630	32	1
	28	19	96105131	6	6	96106728	32	11
	34	18	96105284	6	9	96106729	32	21
	36	18		8	9	96106846	30	9
96102362	20	9	96105299	6	20	96107113	30	5
	22	15		8	20	96107142	30	13
96102417	20	17	96105300	6	8	96107143	30	12
	22	23		8	8	96107144	30	12
			96105325	6	23	96107194	8	24
				8	22	96107354	6	18
			96105370	6	5	96107356	6	19
				8	5			

NUMERICAL INDEX

PART NO.	PAGE	ITEM	PART NO.	PAGE	ITEM	PART NO.	PAGE	ITEM
96108142	34	7	96112300	10	8	96112955	10	13
	36	8		12	11		12	21
96108247	6	6		14	11	96112985	10	18
96108294	8	6		18	4	96112998	10	4
96108295	8	6		24	7	96113111	34	12
96108645	30	2		28	6		36	28
96108646	30	11		34	10	96113295	34	21
96108661	10	9		36	11	96113316	10	16
	12	9	96112301	10	9	96113421	34	3
	14	9		12	9		36	3
	24	5		14	9	96113731	10	13
	28	5		24	5		12	21
	34	8		28	5	96114031	12	17
	36	9		34	9	96114032	12	17
	38	28		36	10	96114033	24	13
96108662	10	8	96112376	10	17	96114034	24	13
	12	11	96112394	38	23	96114393	10	6
	14	11	96112419	10	7		12	18
	24	7		12	12	96114394	10	21
	28	6		14	12		12	22
	34	11		24	8	96114755	20	2
	36	12		28	7		22	4
	38	25	96112496	10	10		24	15
96108998	18	12		12	19		26	6
96109135	16	21		18	3		28	14
	18	19	96112497	10	10		34	4
	30	10		12	19		36	5
96109141	34	28	96112731	36	21	96114862	24	9
	36	42	96112732	36	23		28	8
	38	6	96112840	10	12	96114863	12	10
96109142	18	8		12	8		14	10
96109143	18	9		14	8		24	6
	34	27		24	4	96114865	34	20
	36	41		28	4		36	20
	38	5	96112871	10	20	96114866	36	33
96111764	32	16		12	14		38	16
	34	23		24	10	96114890	12	18
96112191	10	6		28	9	96114892	32	2
	12	18	96112872	10	19	96114957	36	39
96112192	10	6		12	15	96114958	36	38
	12	18		18	5	96114970	36	29
96112193	10	6		24	11	96114982	22	2
	12	18		28	10	96115022	36	1
96112229	10	21		34	15	96115024	34	1
	12	22		36	15	96115061	22	3
96112244	10	3	96112913	10	5		32	3
96112246	10	3		12	13	96115129	34	19
96112258	10	15		14	13		36	19
96112260	10	4	96112931	10	11	96115130	34	22
				12	16		36	31
				14	15		38	17
				24	12	96115131	36	22
				28	11	96115133	36	24
						96115137	36	30

NUMERICAL INDEX

PART NO.	PAGE	ITEM	PART NO.	PAGE	ITEM	PART NO.	PAGE	ITEM
96115347	36	25	96116164	38	28	96118684	28	1
96115348	36	32	96116208	38	21	96118867	28	17
96115356	24	22	96116209	38	27	96118879	14	17
	26	14	96116250	38	18	96118880	14	17
	28	22	96116251	38	24	96118929	16	22
96115358	24	23	96116253	38	9	96118930	16	22
	26	13	96116267	12	18	96118931	16	22
	28	23	96116273	12	22	96118932	16	22
96115368	34	14	96116561	38	22	96118933	16	22
96115420	18	11	96116562	38	22	96118934	16	22
96115623	34	26	96116563	38	22	98009172	12	2
96115624	34	30	96116601	10	22		14	2
	36	44		12	23		24	2
	38	8		16	20		26	2
96115666	24	26	96116628	38	20		28	2
	26	17	96116864	18	2	98100037	20	10
	28	26	96116874	18	1		22	16
96115667	24	27	96116875	14	16		24	29
	26	18	96116876	14	16		26	19
	28	27	96116877	12	1		28	29
96115706	24	25		14	1		32	12
	26	16		24	1		34	29
	28	25	96116878	12	1		36	43
96115709	24	24		14	1		38	7
	26	15		24	1	98100463	10	2
	28	24	96117313	38	20	99100555	30	1
96115718	34	33	96117314	38	20	99100621	32	22
	36	47	96117421	12	18			
96115719	34	34	96117561	14	17			
	36	48	96117562	14	17			
96115720	34	31	96117564	14	17			
	36	45	96117565	14	19			
96115721	34	32	96117566	14	17			
	36	46	96117567	14	19			
96115772	12	6	96117601	18	6			
	14	6	96117602	14	14			
96115773	12	7	96117774	18	15			
	14	7	96117793	18	17			
96115774	12	5	96117794	18	14			
	14	5	96117800	14	18			
96115976	12	4	96117825	14	17			
	14	4	96117826	14	17			
96116049	24	1	96117827	14	17			
96116050	24	1	96117828	14	19			
96116052	12	3	96118237	14	16			
	14	3	96118262	14	17			
	24	3	96118302	36	40			
	26	3	96118306	14	1			
	28	3	96118308	14	19			
96116113	38	26	96118611	26	1			
96116114	38	19	96118613	26	4			
96116161	38	25	96118663	38	10			
96116163	38	3	96118683	28	12			

NOTES

SNO-WAY[®] INTERNATIONAL, INC.



Hartford, WI 53027 USA
Website: www.snoway.com
©2024 Sno-Way[®] International