

SNO-WAY®

SNOW & ICE CONTROL EQUIPMENT

SERVICE PARTS MANUAL

29HD, 29R & 29THD SERIES SNOW PLOWS WITH EIS® PLOW LIGHT HARNESS CONNECTIONS

FOR GRAVITY HYDRAULICS
WITH SERIAL NUMBER AFTER: 29HDG200000

FOR DOWN PRESSURE® HYDRAULICS
WITH SERIAL NUMBERS AFTER:
29HDD100000, 29R100000, 29THDD100000

Sno-Way®, Down Pressure® and EIS® are registered trademarks of Sno-Way International, Inc.
ProControl™, MegaBlade™, V-Wing™, E-Z Switch™, Revolution™, MaxAdjust™, SpeedLock™, and QuickJack™
are trademarks of Sno-Way International, Inc.

©2023 Sno-Way® International

97101918G

TABLE OF CONTENTS

	Page
PARTS LIST INTRODUCTION	2
POWER PACK FRAME - 29HD, 29R SERIES	3
POWER PACK FRAME - 29HD, 29R SERIES (continued).....	5
POWER PACK FRAME - 29THD SERIES.....	7
POWER PACK FRAME - 29THD SERIES (continued).....	9
BLADES - 29HD	11
BLADE - 29R (FRONT).....	13
BLADE - 29R (REAR) WING FOLD MECHANISM/GUIDES	14
BLADES - 29THD SERIES	15
HYDRAULIC SYSTEM - GRAVITY DOWN - 29HD, 29THD.....	17
HYDRAULIC SYSTEM - DOWN PRESSURE - 29HD, 29THD.....	18
HYDRAULIC SYSTEM - 29R - With S.N. Before: 29R100604.....	19
HYDRAULIC SYSTEM - 29R - With S.N. After: 29R100604.....	20
HYDRAULIC POWER UNIT - GRAVITY DOWN - 29HD, 29THD	21
HYDRAULIC POWER UNIT - DOWN PRESSURE - 29HD - With S.N. Before: 29HDD201424	23
HYDRAULIC POWER UNIT - 29HD & 29THD - With S.N. After: 29HDD201424, 29THDD100000	25
HYDRAULIC POWER UNIT - 29R - With S.N. Before: 29R100604.....	27
HYDRAULIC POWER UNIT - 29R - With S.N. After: 29R100604.....	29
AUXILIARY LIGHTS With S.N. Between: 29HDG100000-100050, 29HDD100000-201000, 29R100000-100499	31
AUXILIARY LIGHTS - S.N. AFTER: 29HDD201000, 29HDG200000, 29R100500, 29THDG100000, 29THDD100000	33
POWER PACK WIRING.....	35
NUMERICAL INDEX	36

NOTE: For CONTROLLER SYSTEM WIRING - See Manual 97101915 - Snow Plow and Spreader Controls for parts breakdown and details.

PARTS LIST INTRODUCTION

Our dealership network stands by to provide you with any assistance you may require, including genuine Sno-Way service parts. All parts should be obtained from or ordered through your dealer. Give complete information about the part as well as the Model Number and Serial Number of your machine.

Record the Serial Number in the space provided in your Owner's Manual for quick reference. The Serial Number for the unit is on a plate located on the left frame gusset of the Hopper Frame.

"Right" and "Left" are determined from a position sitting on the Operators Seat of the vehicle.

We reserve the right to make changes or improvements in the design or construction of any part without incurring the obligation to install such changes in any unit previously delivered.

USING THIS PARTS LIST

Below is parts listing with four columns. The first column is the "ITEM", the second is the "PART NUMBER", The third is the "DESCRIPTION" and the fourth is the "QUANTITY".

The **"ITEM"** is the number used in the corresponding illustration.

The **"PART NO."** is the number used to order replacement parts. If a number does not appear in the column the part is only available by ordering the complete assembly.

The **"DESCRIPTION"** is the name of the replacement part. At times the name may be indented, this means that the indented parts are part of the preceding assembly.

The **"QTY."** is the quantity needed to service the assembly illustrated, not the complete product.

ITEM	PART NO.	DESCRIPTION	QTY.
1	96100083	O-ring	1
2	96001529	Elbow	3
3	98100036	Capscrew, Hex., 3/8"-16NC x 7/8"	9

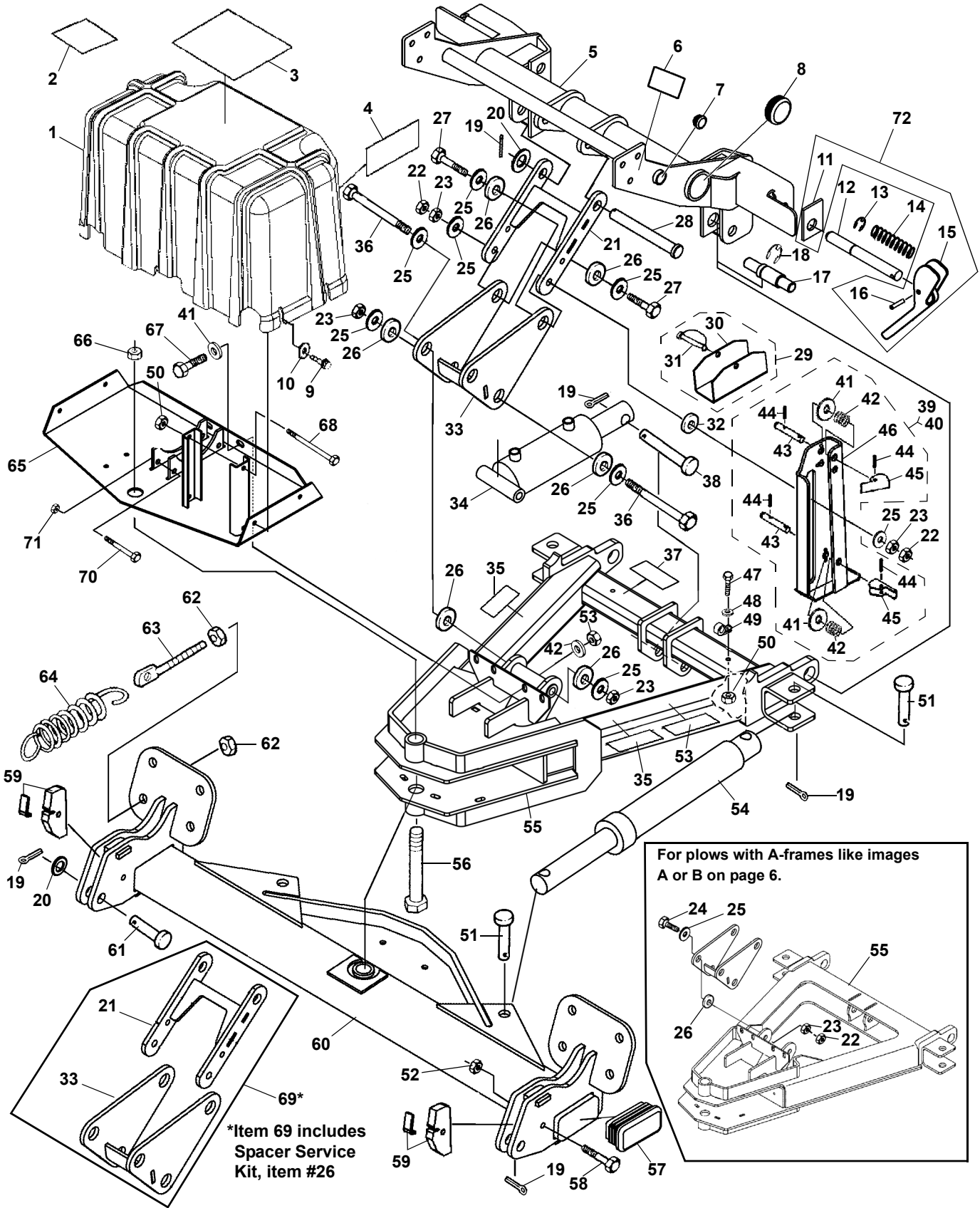
PART DESCRIPTION ABBREVIATIONS

Our Part Descriptions use common industry standard abbreviations in the naming conventions for many individual items. The list below details the abbreviations commonly used throughout this manual. If a specific abbreviation is not listed, contact any Sno-Way Dealer for clarification.

ABBREV.	DESCRIPTION
BRKT	Bracket
CB	Carriage Bolt
CLP	Clevis Pin
COTP	Cotter Pin
DP	Down Pressure
DS	Driver Side
EB	Eye Bolt
GR	Grade
HDWE	Hardware
HHCS	Hex Head Cap Screw
HN	Hex Nut
HNILN	Hex Nylon Insert Lock Nut

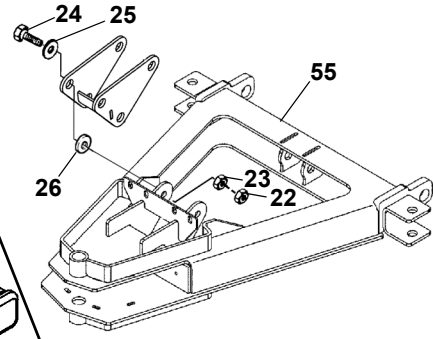
ABBREV.	DESCRIPTION
HW	Hard Wired
HWH	Hex Washer Head
LN	Lock Nut
LW	Helical Lock Washer
PS	Passenger Side
PW	Plain Flat Washer
SHCS	Socket Head Cap Screw
SLT	Slotted
SS	Stainless Steel
ST	Self-Threading
UB	U-Bolt
WL	Wireless

POWER PACK FRAME - 29HD, 29R SERIES



*Item 69 includes
Spacer Service
Kit, item #26

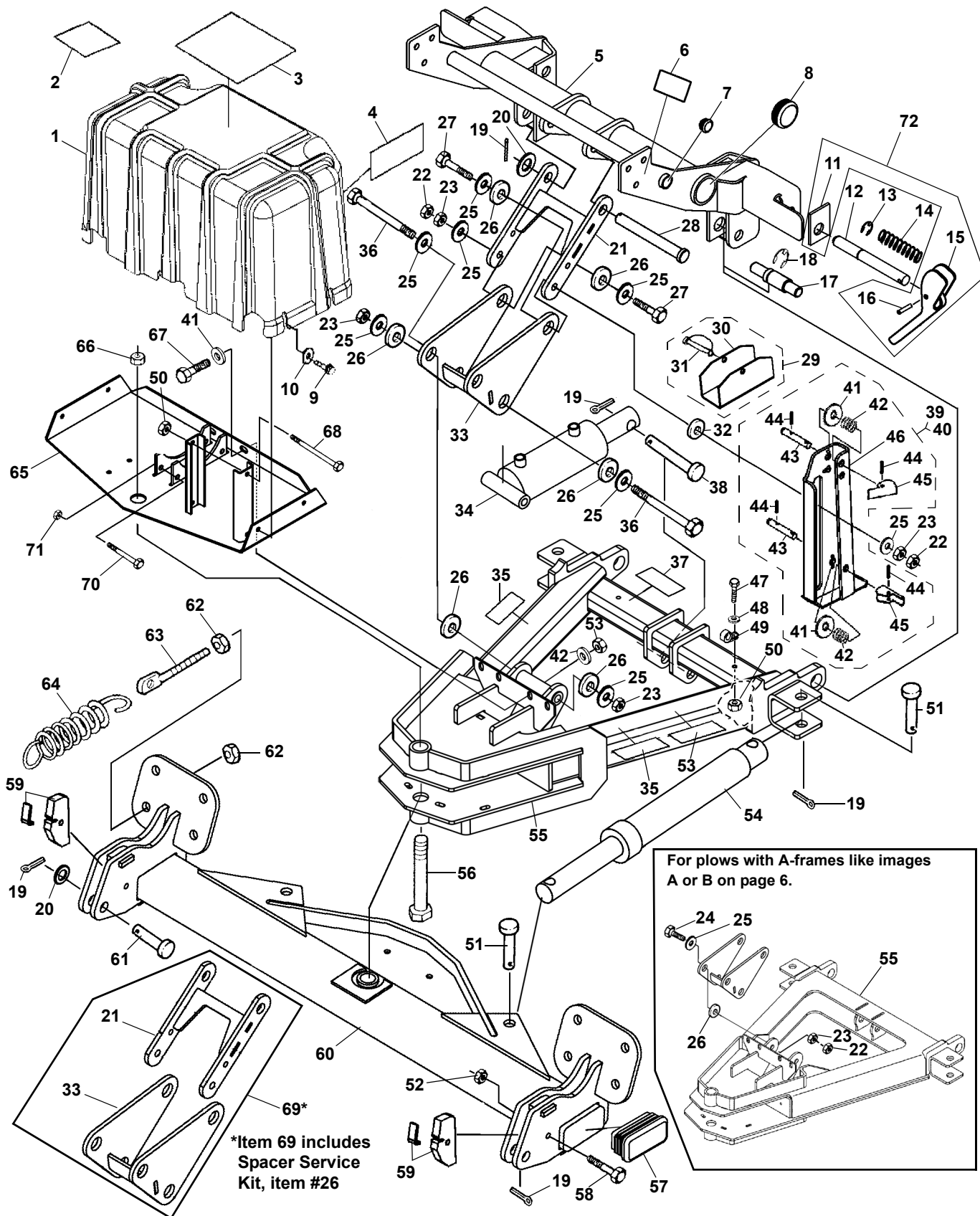
For plows with A-frames like images
A or B on page 6.



POWER PACK FRAME - 29HD, 29R SERIES

ITEM	PART NO.	DESCRIPTION	QTY
1	96114511	Cover, Pump, Gravity.....	1
	96113427	Cover, Pump, Down Pressure (29HD).....	1
	96113426	Cover, Pump (29R).....	1
2		Decal, Wiring Schematic, ProControl (29HD).....	1
		Decal, Wiring Schematic, ProControl (29R).....	1
		Decal, DP System.....	1
		Decal, Gravity System.....	1
3		Decal, Mounting Instructions.....	1
4		Decal, Warning, Cover Removal.....	1
5	96107125	Light/Lift Bar, Quick-Attach.....	1
	96107400	Assembly, Light/Lift Bar, Quick-Attach (includes items 5, 6, 7, 8, 11, 12, 13, 14, 15, 16).....	1
6	97100400	Decal, Warning.....	1
7	96108874	End Cap, 1".....	2
8	96108873	End Cap, 2-1/4".....	2
9	98019176	Screw, Flange Head, Self-Tapping, 5/16" x 1".....	4
10	98019230	Washer, Flat, 5/16".....	4
11	96107329	Plate, Bearing, Polyethylene.....	2
12	96107128	Pin, Quick-Tatch.....	2
13	98100312	E-Ring.....	2
14	96107130	Spring, SS.....	2
15	96110413	Handle, Quick-Release (Replaces 96109013 - No longer sold).....	2
16	98100313	Pin, Roll, 1/4 x 1-3/8" SS.....	2
17	96106144	Pin, Quick Hitch.....	2
18	98100300	E-Ring, 1".....	2
19	98009085	Pin, Cotter, 5/32" x 1-1/2".....	8
20	98009030	Washer, Flat, 3/4".....	3
21	96111895	Link, Lift, HD.....	1
22	98100172	Nut, Jam, 1/2"-13.....	2
23	98009013	Nut, Nylock, 1/2"-13.....	5
24	98100390	Cap Screw, Hex, 1/2"-13 x 1-3/4"(For use on serial numbers before 29HDD203100, 29HDG100125, & 29R102000 only).....	2
25	98100176	Washer, Hardened.....	8
26		Bushing.....	6
	96116126	Kit, Bushing Service, HD (Includes bushings and all mounting hardware).....	1
27	98100062	Cap Screw, Hex, 1/2"-13 x 2-1/4".....	2
28	98100290	Pin, Clevis, 3/4" x 6".....	1
29	96107767	Clamp, Cylinder Lock, Gravity Down (Use for Serial Numbers Before 29HDG100150).....	1
	96107768	Clamp, Cylinder Lock, Gravity Down (Use for Serial Numbers After 29HDG100149).....	1
	96107768	Clamp, Cylinder Lock, Down Pressure.....	1
30		Clamp, Cylinder Lock, Gravity Down.....	1
		Clamp, Cylinder Lock, Down Pressure.....	1
31		Pin, Wire Lock.....	1
32	96102168	Spacer, Stand.....	1
33	96111891	Bellcrank, HD.....	1
34	96106076	Cylinder, Lift, Gravity Down (Use for Serial Numbers Before 29HDG100150).....	1
	96106077	Cylinder, Lift, Gravity Down (Use for Serial Numbers After 29HDG100149).....	1
	96106077	Cylinder, Lift, Down Pressure.....	1
35		Decal, Warning, Pinch Point.....	2
36	98100428	Cap Screw, Hex, 1/2"-13 x 6".....	2
37		Decal, Patent.....	1
38	98100007	Pin, Clevis, 3/4" x 4".....	1
39	96106605	Jackstand Assembly, 22/26/29/32 Series.....	1
40	96107711	Kit, Jackstand Hardware (includes one ea. items 42, 43, 44, 46, and two item 45).....	2

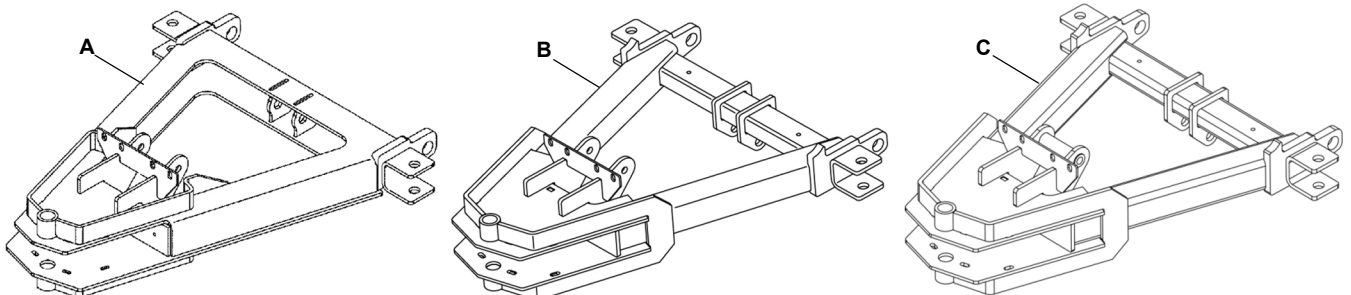
POWER PACK FRAME - 29HD, 29R SERIES (continued)



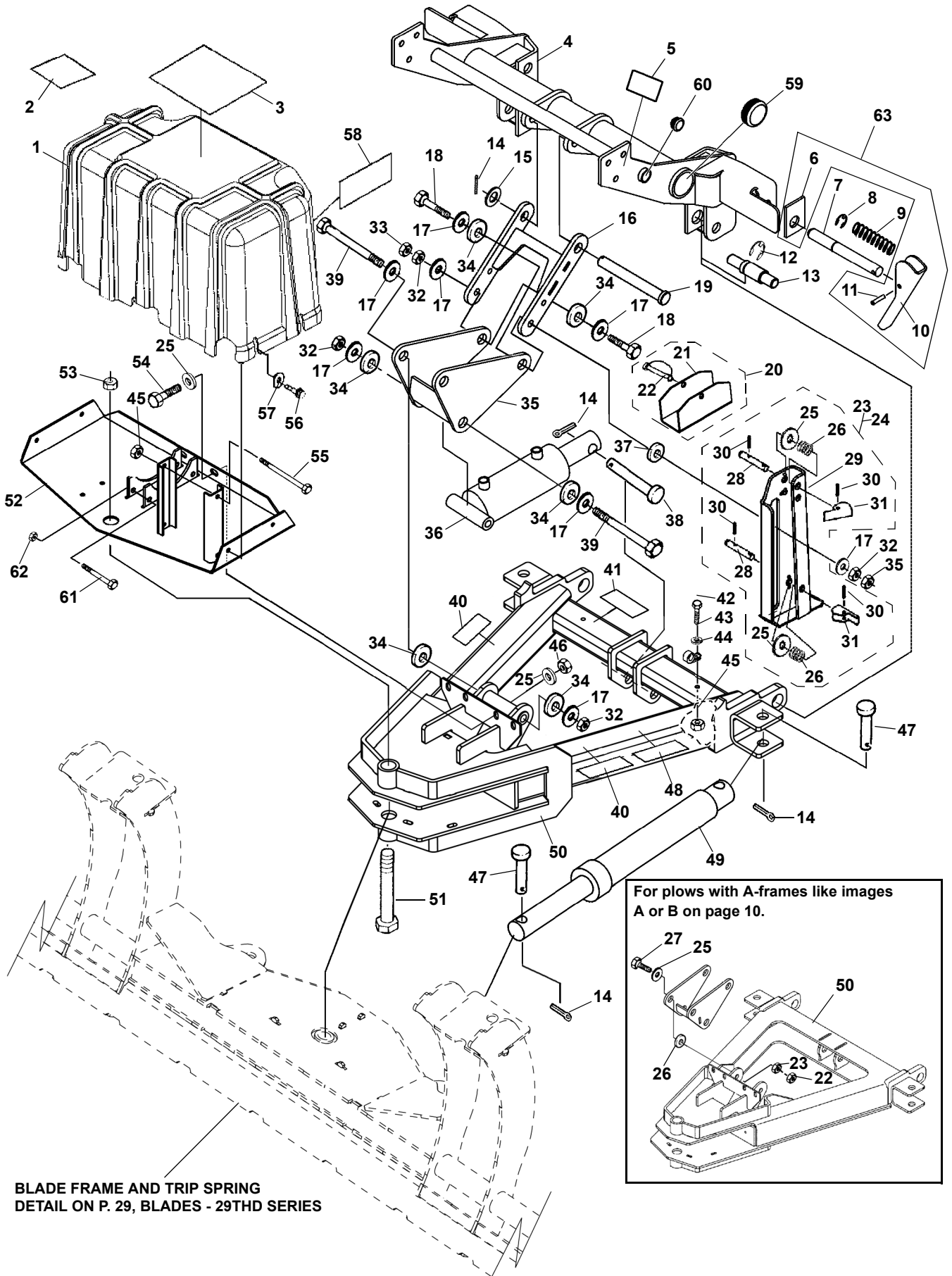
POWER PACK FRAME - 29HD, 29R SERIES (continued)

ITEM	PART NO.	DESCRIPTION	QTY
41	98009032	Washer, 3/8"	6
42		Spring, Latch.....	2
43		Pin, Latch.....	2
44		Roll Pin, 5/32" x 7/8"	4
45		Cam, Jackstand	2
46	96105959	Jackstand	1
47	98009027	Cap Screw, Hex, 1/4"-20 x 1"	1
48	98009029	Washer, Flat, 1/4"	1
49	96101891	Clamp, Tube	1
50	98100255	Nut, Nylock, 1/4"-20.....	2
51	98100040	Pin, Clevis, 3/4" x 3"	4
52	98009009	Nut, Hex Nylock, 3/8"-16	4
53		Decal, Warning	1
54	96110953	Cylinder, Angle, 1-1/2"	2
55	96115635	A-Frame, HD (See Note).....	1
56	98100006	Cap Screw, Hex, 1"-14 x 7-1/2"	1
57	96108876	End Cap, 2" x 4"	2
58	98009134	Cap Screw, Hex, 3/8"-16 x 2-1/2"	2
59	96107396	Kit, Cushion/Stop, Blade Trip, 32 Series.....	1
	96109981	Kit, Cushion/Stop, Blade Trip, 29 Series.....	1
60	96105457	Frame, Swing	1
61	98100315	Pin, Clevis, 3/4" x 2"	2
62	98009078	Nut, Hex, 5/8"-11	
		29 Series	4
		32 Series	8
63	98009037	Eye Bolt, 5/8"-11 x 6"	
		29 Series	2
		32 Series	4
64	96001392	Spring, Trip	
		29 Series	2
		32 Series	4
65	96106184	Platform, Pump	1
66	98100294	Nut, Hex, 1"-14	1
67	98009022	Cap Screw, Hex, 3/8"-16 x 1"	2
68	98100266	Cap Screw, Hex, 1/4"-20 x 6"	1
69	96112489	Kit, 29 HD Linkage (includes one of items 21, 26, and 33).....	1
70	98100264	Cap Screw, Hex, 5/16"-18 x 2-1/4"	2
71	98009150	Nylock, Hex Head, 5/16"-18	2
72	96113472	Kit, Cam Handle (includes one of items 11, 15, and 16).....	2

NOTE: If replacing A-Frame and the damaged A-Frame looks like image A below and the replacement A-frame looks like image C below, a 96116070 for all plows and a 96104953 and 96100003 for down pressure units must also be purchased and installed. If replacing A-Frame and the damaged A-Frame looks like image B below and the replacement A-frame looks like image C below, a 96116070 must also be purchased and installed. See the Hydraulic System section for 96104953 and 96100003 installation reference.



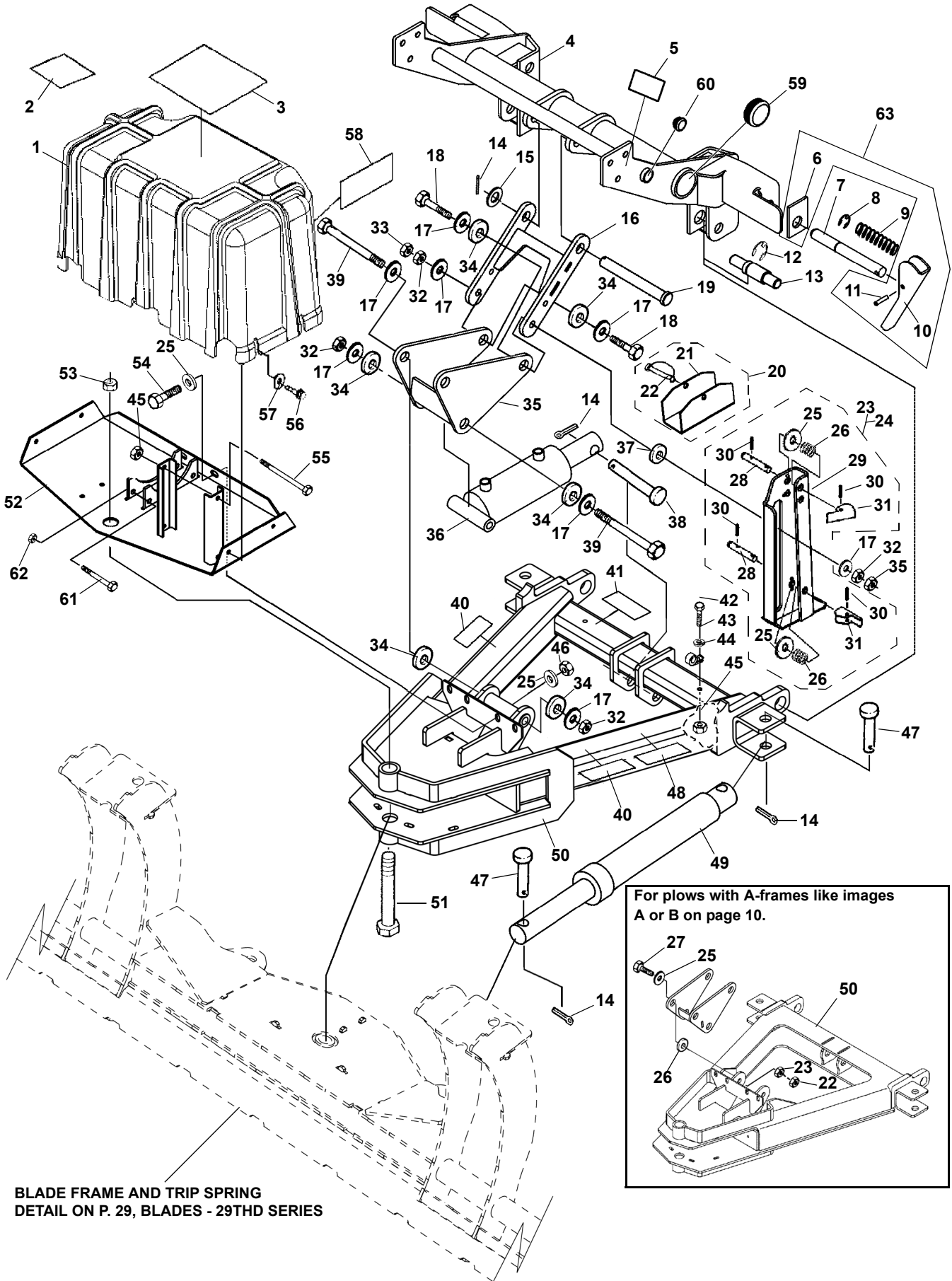
POWER PACK FRAME - 29THD SERIES



POWER PACK FRAME - 29THD SERIES

ITEM	PART NO.	DESCRIPTION	QTY
1	96114511	Cover, Pump, Gravity.....	1
	96113427	Cover, Pump, Down Pressure	1
2		Decal, Wiring Schematic, ProControl	1
		Decal, DP System.....	1
		Decal, Gravity System	1
3		Decal, Mounting Instructions	1
4	96107125	Light/Lift Bar, Quick-Attach	1
	96107400	Assembly, Light/Lift Bar, Quick-Attach (includes items 4, 5, 6, 7, 8, 9, 10, 11, 59, 60)	1
5		Decal, Warning	1
6	96107329	Plate, Bearing, Polyethylene.....	2
7	96107128	Pin, Quick-Tatch.....	2
8	98100312	E-Ring.....	2
9	96107130	Spring, SS.....	2
10	96110413	Handle, Quick-Release.....	2
11	98100313	Pin, Roll, 1/4" x 1-3/8" SS	2
12	98100300	E-Ring, 1".....	2
13	96106144	Pin, Quick Hitch	2
14	98009085	Pin, Cotter, 5/32" x 1-1/2"	6
15	98009030	Washer, 3/4"	1
16	96111895	Link, Lift	1
17	98100176	Washer, Hardened	8
18	98100062	Cap Screw, Hex, 1/2"-13 x 2-1/4"	2
19	98100290	Pin, Clevis, 3/4" x 6"	1
20	96107767	Clamp, Cylinder Lock, Gravity Down (Use for Serial Numbers Before 29THDG100050).....	1
	96107768	Clamp, Cylinder Lock, Gravity Down (Use for Serial Numbers After 29THDG100049).....	1
	96107768	Clamp, Cylinder Lock, Down Pressure	1
21		Clamp, Cylinder Lock, Gravity Down	1
		Clamp, Cylinder Lock, Down Pressure	1
22		Pin, Wire Lock.....	1
23	96106605	Jackstand Assembly, 22/26/32/29 Series	1
24	96107711	Kit, Jackstand Hardware (includes one ea. items 25, 26, 28, 31, two item 30).....	2
25	98009032	Washer, 3/8"	6
26		Spring, Latch.....	2
27	98100390	Cap Screw, Hex, 1/2"-13 x 1-3/4" (For use on serial numbers before 29THDD100100 & 29THDG1000025).....	2
28		Pin, Latch.....	2
29	96105959	Jackstand.....	1
30		Roll Pin, 5/32" x 7/8"	4
31		Cam, Jackstand	2
32	98009013	Nut, Nylock, 1/2"-13.....	5
33	98100172	Nut, Jam, 1/2"-13	2
34		Bushing.....	6
	96112134	Kit, Bushing Service (Includes bushings and all mounting hardware) (For serial numbers before 29THDD100100 & 29THDG100025)	1
	96116070	Kit, Bushing Service, HD (Includes bushings and all mounting hardware) (For serial numbers 29THDD100100, 29THDG100025 and after).....	1
35	96111891	Bellcrank.....	1

POWER PACK FRAME - 29THD SERIES (continued)



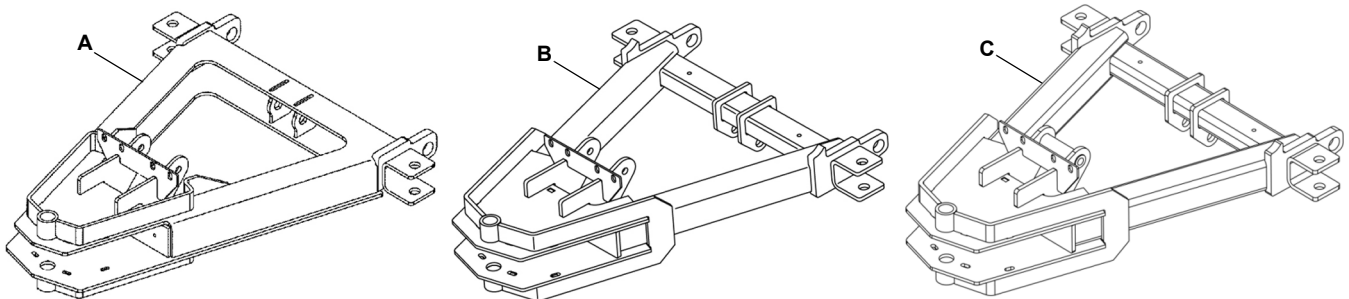
For plows with A-frames like images
A or B on page 10.

BLADE FRAME AND TRIP SPRING
DETAIL ON P. 29, BLADES - 29THD SERIES

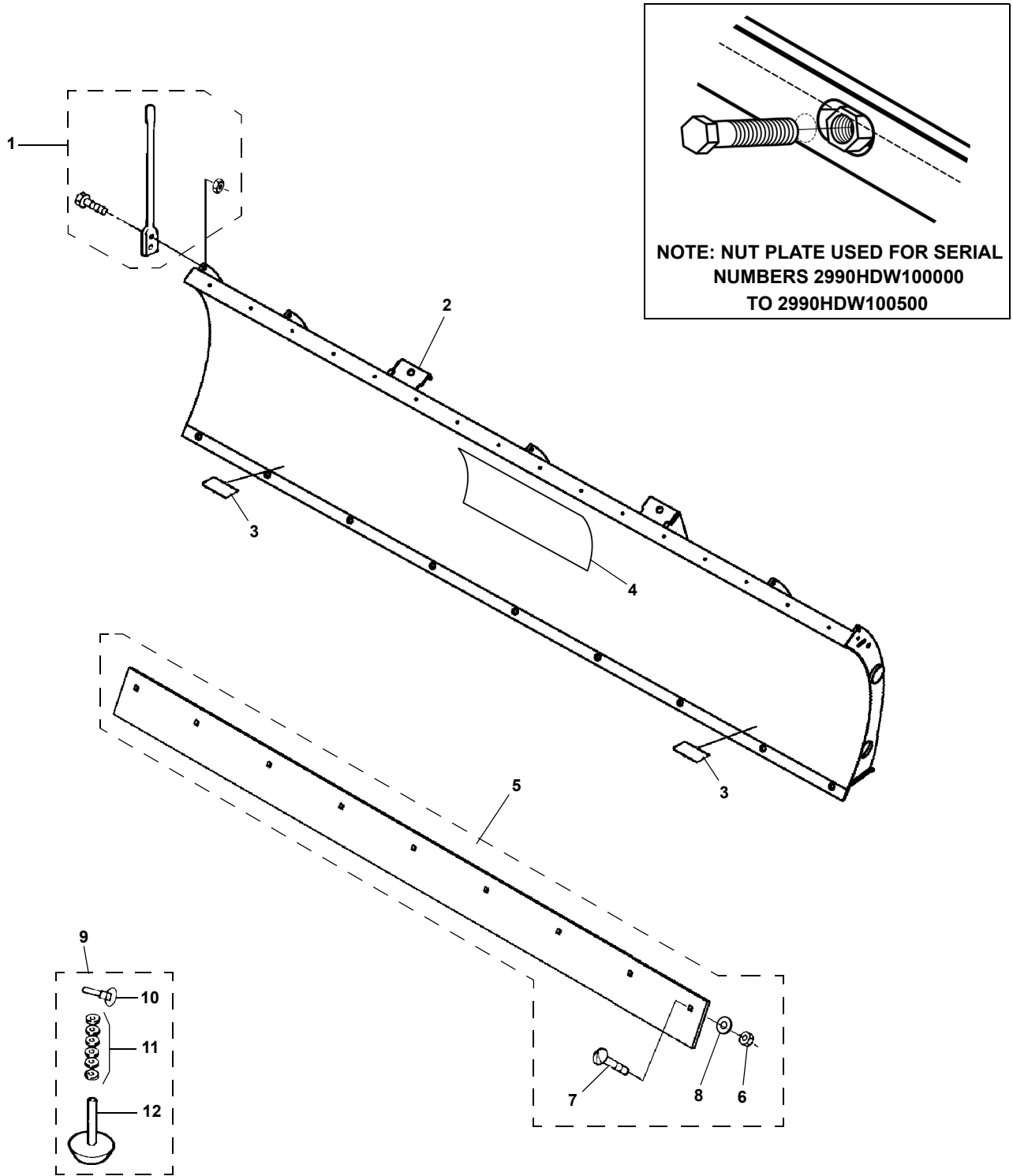
POWER PACK FRAME - 29THD SERIES (continued)

ITEM	PART NO.	DESCRIPTION	QTY
36	96106076	Cylinder, Lift, Gravity Down (Use for Serial Numbers Before 29THDG100050)	1
	96106077	Cylinder, Lift, Gravity Down (Use for Serial Numbers After 29THDG100049)	1
	96106077	Cylinder, Lift, Down Pressure	1
37	96102168	Spacer, Stand	1
38	98100007	Pin, Clevis, 3/4" x 4"	1
39	98100428	Cap Screw, Hex, 1/2"-13 x 6"	2
40		Decal, Warning, Pinch Point.....	2
41		Decal, Patent.....	1
42	98009027	Cap Screw, Hex, 1/4"-20 x 1"	1
43	98009029	Washer, Flat, 1/4"	1
44	96101891	Clamp, Tube	1
45	98100255	Nut, Nylock, 1/4"-20	2
46	98009009	Nut, Hex Nylock, 3/8"-16	2
47	98100040	Pin, Clevis, 3/4" x 3"	4
48		Decal, Warning.....	1
49	96110953	Cylinder, Angle, 1-1/2".....	2
50	96112126	A-Frame (See Note).....	1
51	98100006	Cap Screw, Hex, 1"-14 x 7-1/2"	1
52	96106184	Platform, Pump.....	1
53	98100294	Nut, Hex, 1"-14	1
54	98009022	Cap Screw, Hex, 3/8"-16 x 1"	2
55	98100266	Cap Screw, Hex, 1/4"-20 x 6"	1
56	98019176	Screw, Flange Head, Self-Tapping, 5/16" x 1".....	4
57	98019230	Washer, Flat, 5/16"	4
58		Decal, Warning, Cover Removal	1
59	96108873	End Cap, 2-1/4".....	2
60	96108874	End Cap, 1"	2
61	98100264	Cap Screw, Hex, 5/16"-18 x 2-1/4"	2
62	98009150	Nylock, Hex Head, 5/16"-18	2
63	96113472	Kit, Cam Handle (includes one of items 6, 10, and 11)	2

NOTE: If replacing A-Frame and the damaged A-Frame looks like image A below and the replacement A-frame looks like image C below, a 96116070 for all plows and a 96104953 and 96100003 for down pressure units must also be purchased and installed. If replacing A-Frame and the damaged A-Frame looks like image B below and the replacement A-frame looks like image C below, a 96116070 must also be purchased and installed. See the Hydraulic System section for 96104953 and 96100003 installation reference.



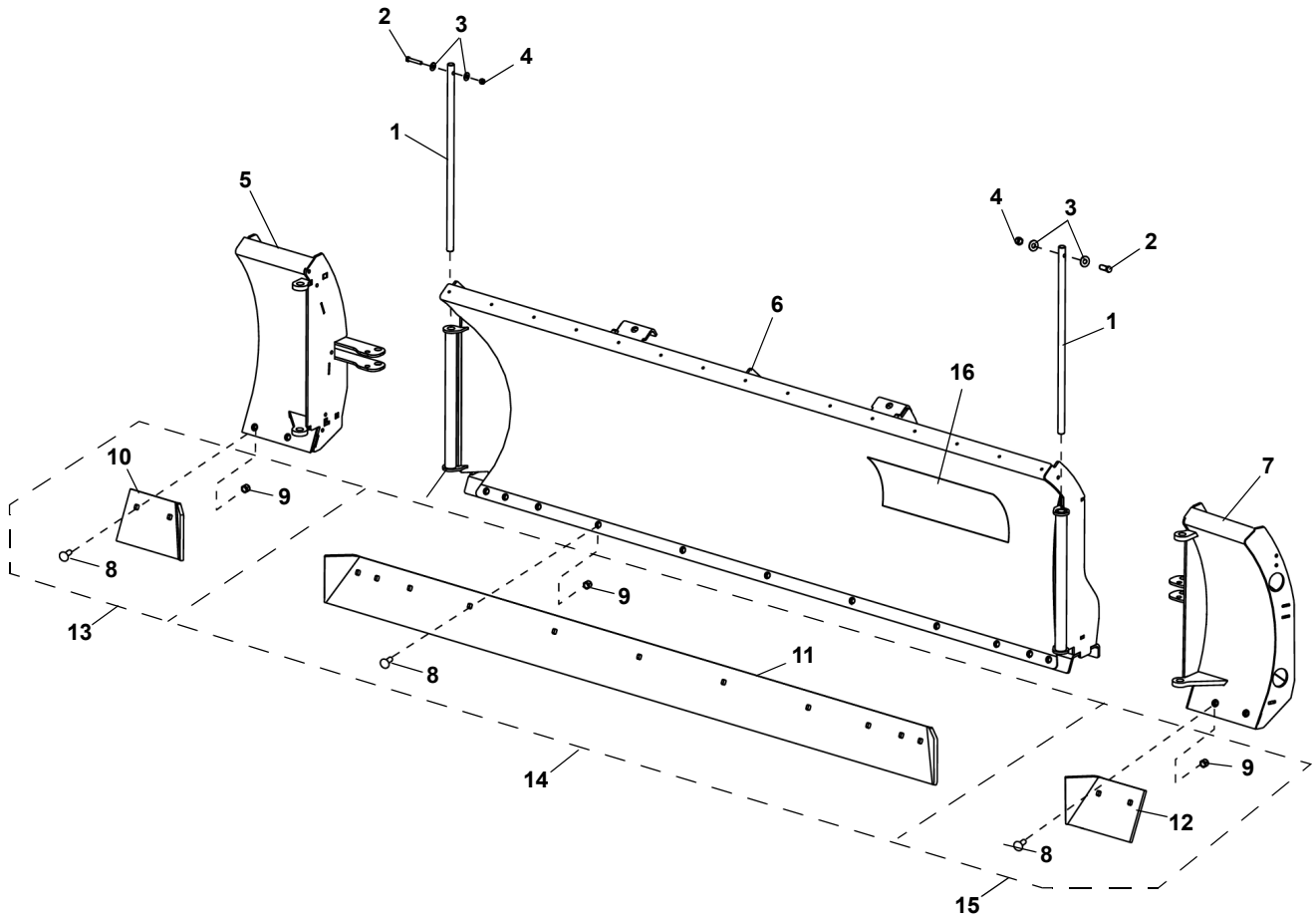
BLADES - 29HD



BLADES - 29HD

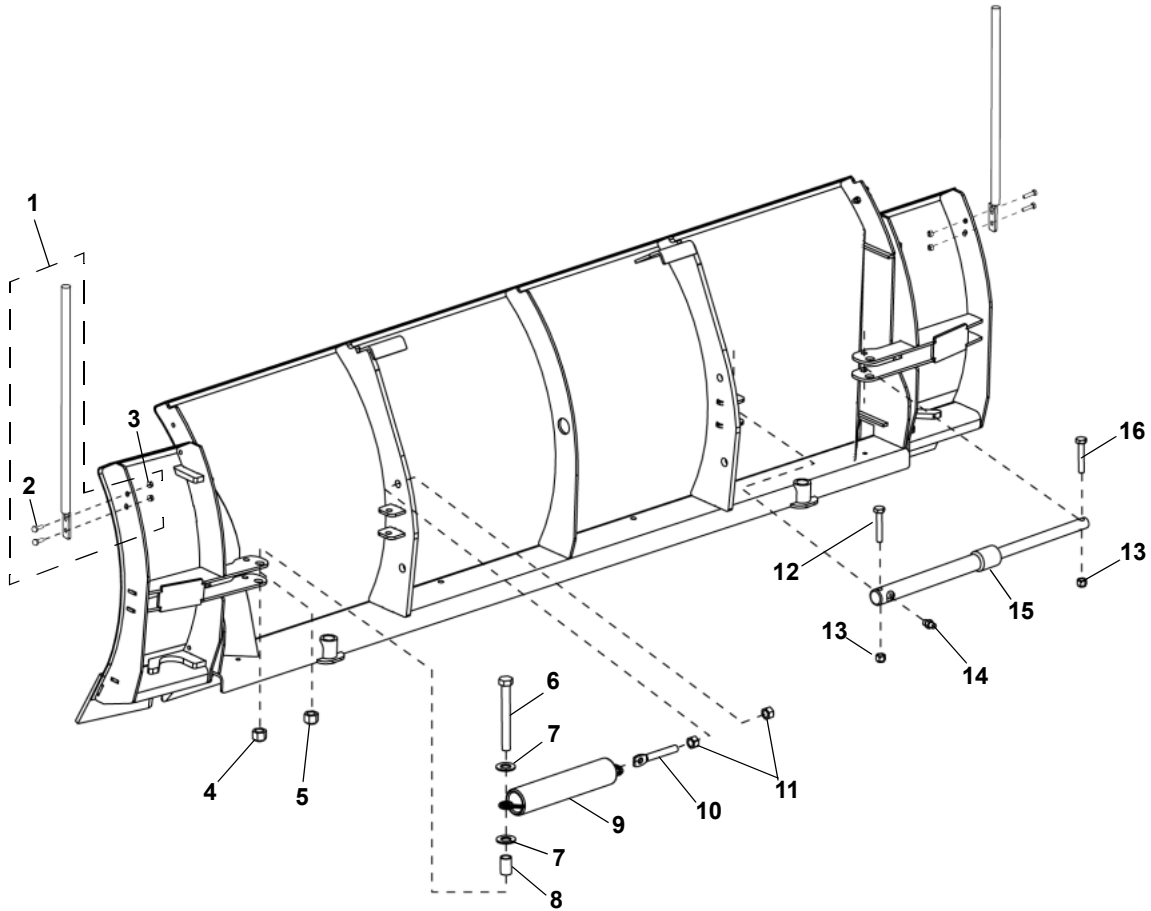
ITEM	PART NO.	DESCRIPTION	QTY
1	96112352	Kit, Blade Guide, Yellow (includes two Guides and Mounting Hardware)	1
2		Frame, 90"	1
		Frame, 96"	1
3		Decal, Warning	2
4	97101835	Decal, Sno-Way	1
5	96112726	Kit, Wearstrip, 90", 3/8", 29HDW	1
	96112727	Kit, Wearstrip, 96", 3/8", 29HDW	1
	96113054	Kit, Wearstrip, 90", 1/2", 29HDW (Optional accessory)	1
	96113055	Kit, Wearstrip, 96", 1/2", 29HDW (Optional accessory)	1
6	98009013	Nut, Hex., Nylock, 1/2" - 13	9
7	98009099	Bolt, Carriage, 1/2"-13 x 2"	9
8	98100176	PW, 1/2", Hardened	9
9	96113251	Kit, Shoe Assembly (Includes items 10, 11, 12)	2
10	98100538	Pin, Lynch, 5/16" x 1-5/8"	1
11		Washer, Flat, 1"	13
12		Shoe, Cast, 1" Shaft	1

BLADE - 29R (FRONT)



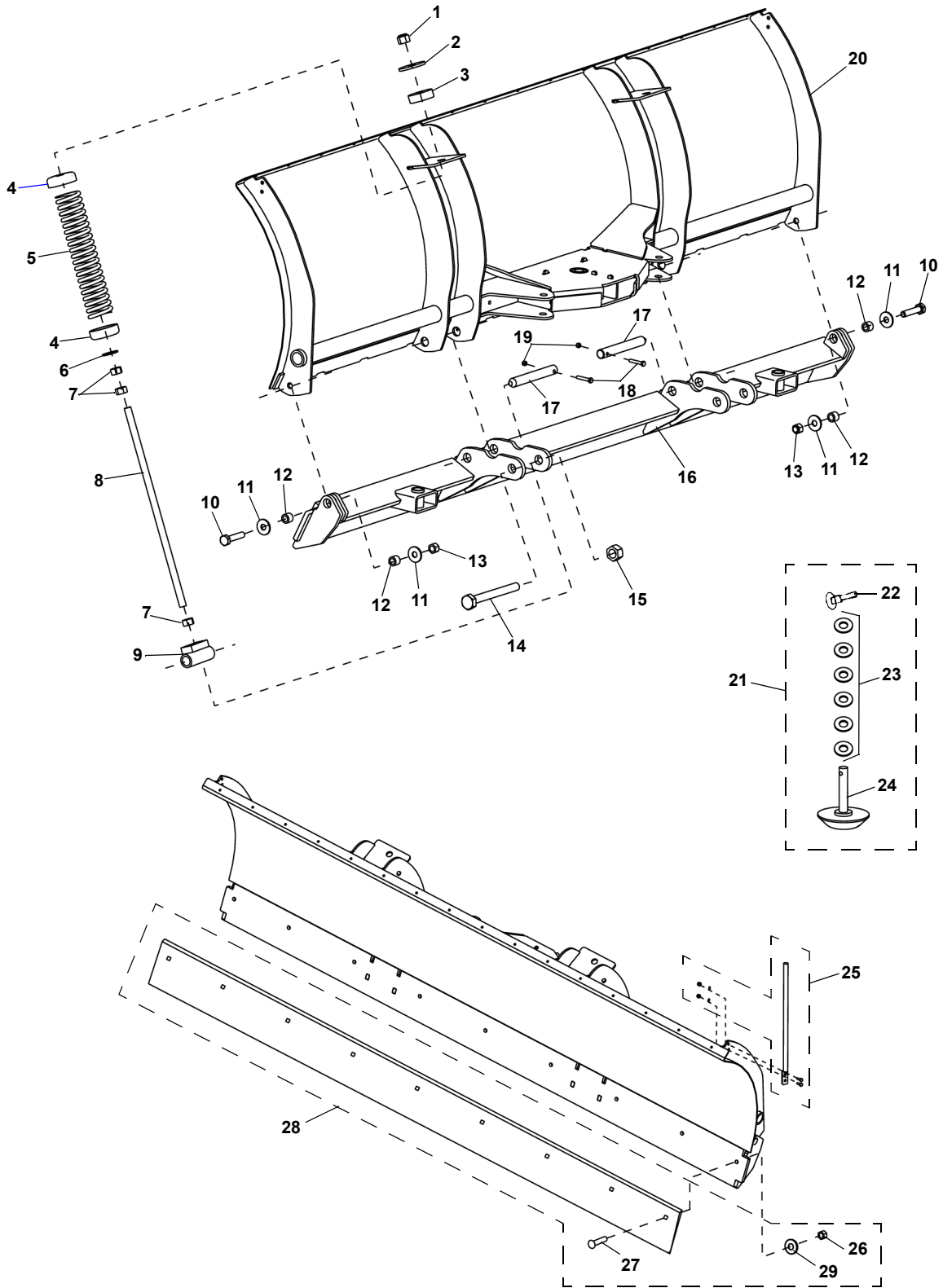
ITEM	PART NO.	DESCRIPTION	QTY
1	96113184	Rod, 29R.....	2
2	98100115	HHCS, 5/16"-18 x 1-3/4", SS	2
3	98100123	PW, 5/16", A Wide, SS.....	4
4	98100118	LN, 5/16"-18, Nylon Insert, SS.....	2
5	96113240	Weldment, 29R, 10" PS	1
6	96113170	Blade, 29R.....	1
7	96113235	Weldment, 29R, 10", DS.....	1
8	98100481	CB, 1/2"-13 x 1-3/4".....	15
9	98009013	LN, 1/2"-13, Nylon Insert.....	15
10		Wearstrip, 29R, 3/8", PS	1
		Wearstrip, 29R, 1/2", PS	1
11		Wearstrip, Main Blade, 29R, 3/8".....	1
		Wearstrip, Main Blade, 29R, 1/2".....	1
12		Wearstrip, 29R, 3/8", DS.....	1
		Wearstrip, 29R, 1/2", DS.....	1
13	96113323	Kit, Wearstrip, 3/8", PS (Includes Items #8, 9, 10).....	1
	96114422	Kit, Wearstrip, 1/2", PS (Includes Items #8, 9, 10).....	1
14	96113321	Kit, Wearstrip, 3/8", Main (Includes Items #8, 9, 11).....	1
	96114423	Kit, Wearstrip, 1/2", Main (Includes Items #8, 9, 11).....	1
15	96113322	Kit, Wearstrip, 3/8", DS (Includes Items #8, 9, 12)	1
	96114421	Kit, Wearstrip, 1/2", DS (Includes Items #8, 9, 12)	1
16	97101835	Decal, Sno-Way.....	1

BLADE - 29R (REAR) WING FOLD MECHANISM/GUIDES



ITEM	PART NO.	DESCRIPTION	QTY
1	96112352	Kit, Blade Guide - Yellow	2
2		HHCS, 5/16"-18 x 1" (Included With Item #1)	2
3		LN, 5/16"-18 (Included With Item #1)	2
4	98009003	LN, 3/4"-10, Nylon Insert	2
5	98009075	HN, 3/4"-10	2
6	98100324	HHCS, 3/4"-10 x 6-1/2"	2
7	98009030	PW, 3/4", A Narrow	4
8	96114343	Tube, Spacer	2
9	96113232	Spring, 29R	2
10	98100457	EB., 5/8"-11 x 4-1/2"	2
11	98009078	HN, 5/8"-11, ZINC	4
12	98009036	HHCS, 1/2"-13 X 3-1/2"	2
13	98009013	LN, 1/2"-13, Nylon Insert	4
14	96100000	Fitting, Straight Connector	2
15	96116278	Cylinder, 26R/29R Wing	2
16	98009017	HHCS, 1/2"-13 x 3"	2

BLADES - 29THD SERIES

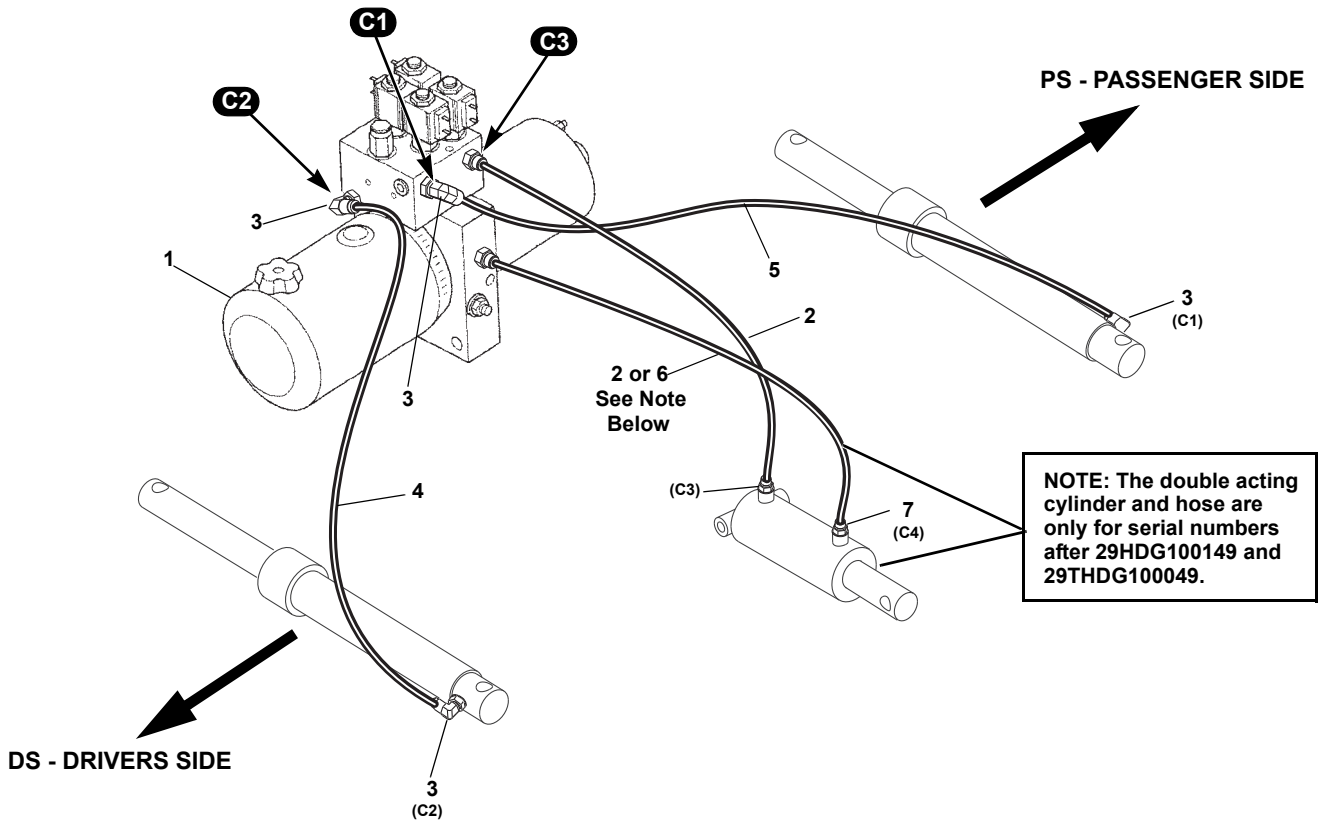


BLADES - 29THD SERIES

ITEM	PART NO.	DESCRIPTION	QTY
1	98009003	Locknut, 3/4"-10, Nylon Insert.....	2
2	96114677	Plate, Bumper Stop.....	2
3	96108497	Stop, TEB.....	2
4	96107374	Cup, Formed.....	4
5	96107208	Spring, Trip, 29THD.....	2
6	98009030	Washer, Flat, 3/4".....	2
7	98009075	Nut, Hex, 3/4".....	6
8	96107673	Rod, Threaded.....	2
9	96107365	Saddle Weldment.....	2
10	98009217	Cap Screw, Hex, 5/8"-11 x 3".....	2
11	98009039	Washer, Flat, 5/8".....	4
12	96114723	Bushing, 29THD.....	4
13	98009038	Locknut, 5/8"-11, Nylon Insert.....	4
14	98100474	Cap Screw, Hex, 1"-8 x 7".....	2
15	98009053	Locknut, 1"-8, Nylon Insert.....	2
16		Wear Strip Weldment, 90", 29THD.....	1
		Wear Strip Weldment, 96", 29THD.....	1
17	96114812	Pin, Main Trip.....	2
18	98100115	Cap Screw, Hex, SS, 5/16"-18 x 1-3/4".....	2
19	98100118	Locknut, 5/16"-18, Nylon Insert, SS.....	2
20		Blade, 90", 29THD.....	1
		Blade, 96", 29THD.....	1
21	96114885	Assembly, Shoe, 29THD.....	2
22	98100538	Pin, Lynch, 5/16" x 1-5/8".....	2
23		Washer, Flat, 1".....	12
24		Shoe, Cast, 1" Shaft.....	2
25	96112352	Kit, Blade Guide, Yellow (Includes 2 Guides and Mounting Hardware).....	1
26	98009013	Locknut, 1/2"-13, Nylon Insert.....	9
27	98009099	Carriage Bolt, 1/2"-13 x 2".....	9
28	96112726	Kit, Wearstrip, Steel, 90", 3/8".....	1
	96113054	Kit, Wearstrip, Steel, 90", 1/2" (Optional Accessory).....	1
	96112727	Kit, Wearstrip, Steel, 96", 3/8".....	1
	96113055	Kit, Wearstrip, Steel, 96", 1/2" (Optional Accessory).....	1
29	98100176	PW, 1/2", Hardened.....	9

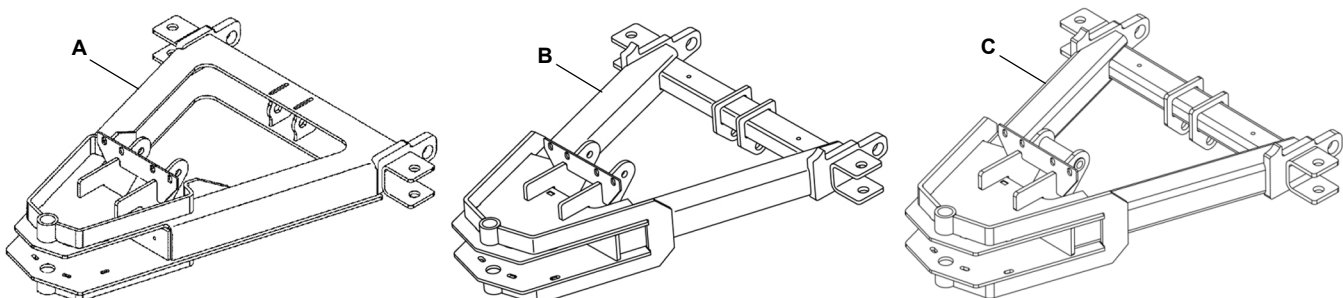
HYDRAULIC SYSTEM GRAVITY DOWN - 29HD, 29THD

C# DENOTES PORT IN VALVE HOUSING



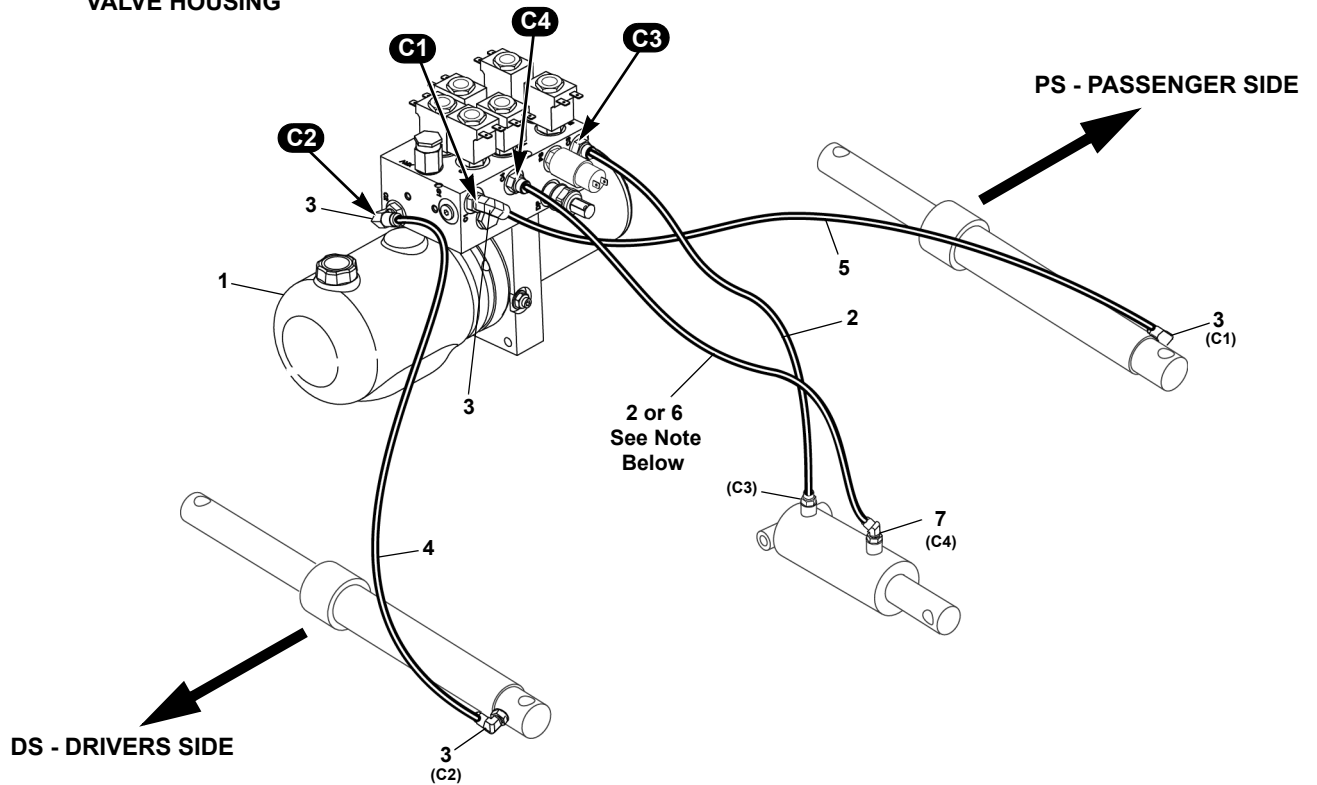
ITEM	PART NO.	DESCRIPTION	QTY
1		Power Unit, Gravity Down (see page 21 for parts breakdown)	1
2	96106069	Hose, Hydraulic, 18-3/4"	2
3	96100001	Fitting, Elbow, 90°	4
4	96113791	Hose, Hydraulic, 27-1/2"	1
5	96106071	Hose, Hydraulic, 32"	1
6	96104953	Hose, Hydraulic, 18" (See Note below).....	1
7	96100003	Fitting, Elbow, 45° (See Note below).....	1

NOTE: If the A-Frame looks like image A below, the Hydraulic System requires item 2. If the A-Frame looks like image B or C below, the Hydraulic System requires items 6 & 7.



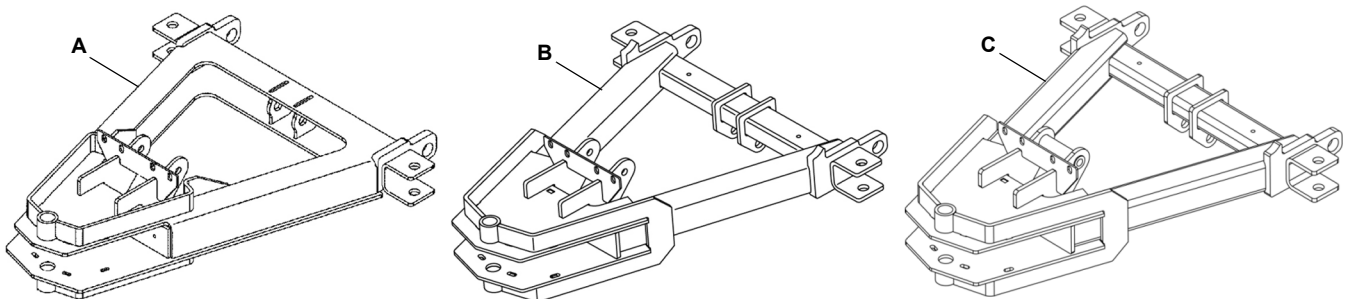
HYDRAULIC SYSTEM DOWN PRESSURE - 29HD, 29THD

C# DENOTES PORT IN VALVE HOUSING



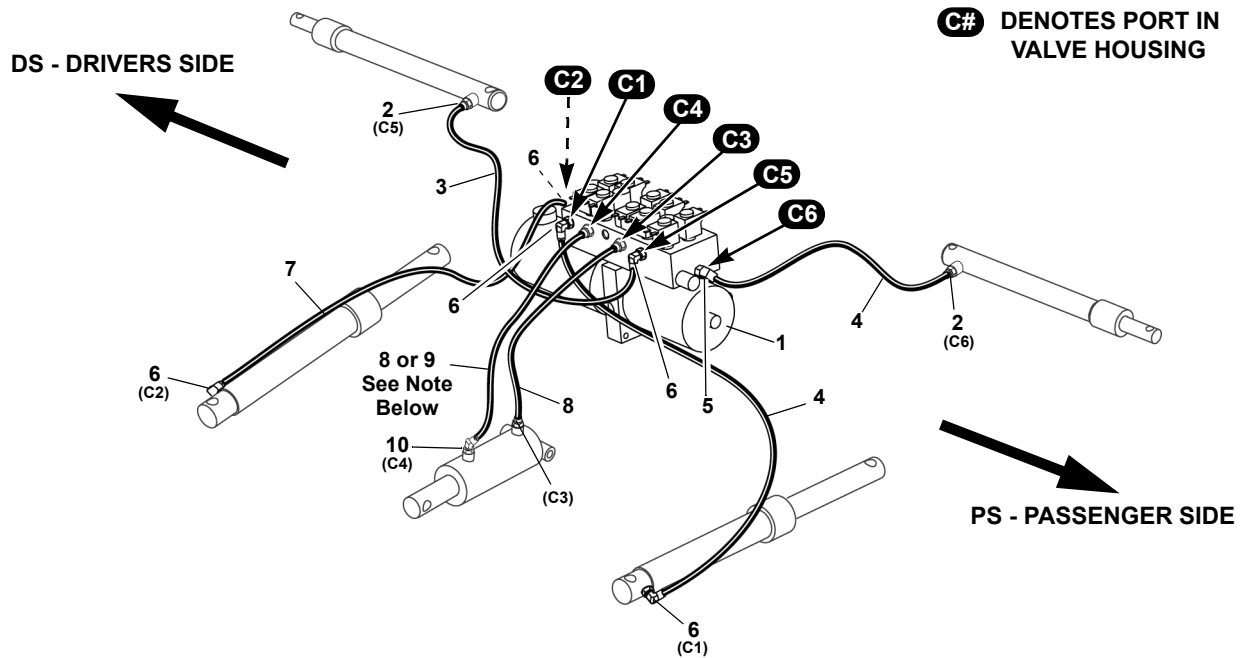
ITEM	PART NO.	DESCRIPTION	QTY
1		Power Unit, DP (see page 25 for parts breakdown)	1
2	96106069	Hose, Hydraulic, 18-3/4" (See Note below)	2
3	96100001	Fitting, Elbow, 90°	4
4	96113791	Hose, Hydraulic, 27-1/2"	1
5	96106071	Hose, Hydraulic, 32"	1
6	96104953	Hose, Hydraulic, 18" (See Note below)	1
7	96100003	Fitting, Elbow, 45° (See Note below)	1

NOTE: If the A-Frame looks like image A below, the Hydraulic System requires item 2. If the A-Frame looks like image B or C below, the Hydraulic System requires items 6 & 7.



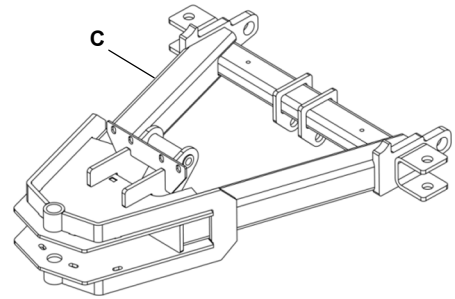
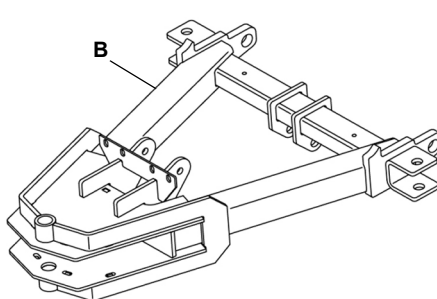
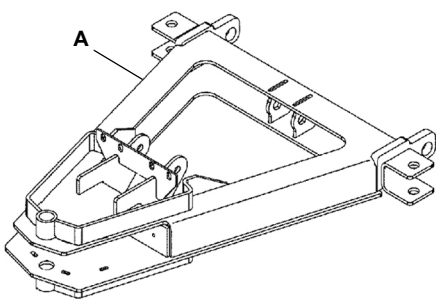
HYDRAULIC SYSTEM - 29R

With S.N. Before: 29R100604



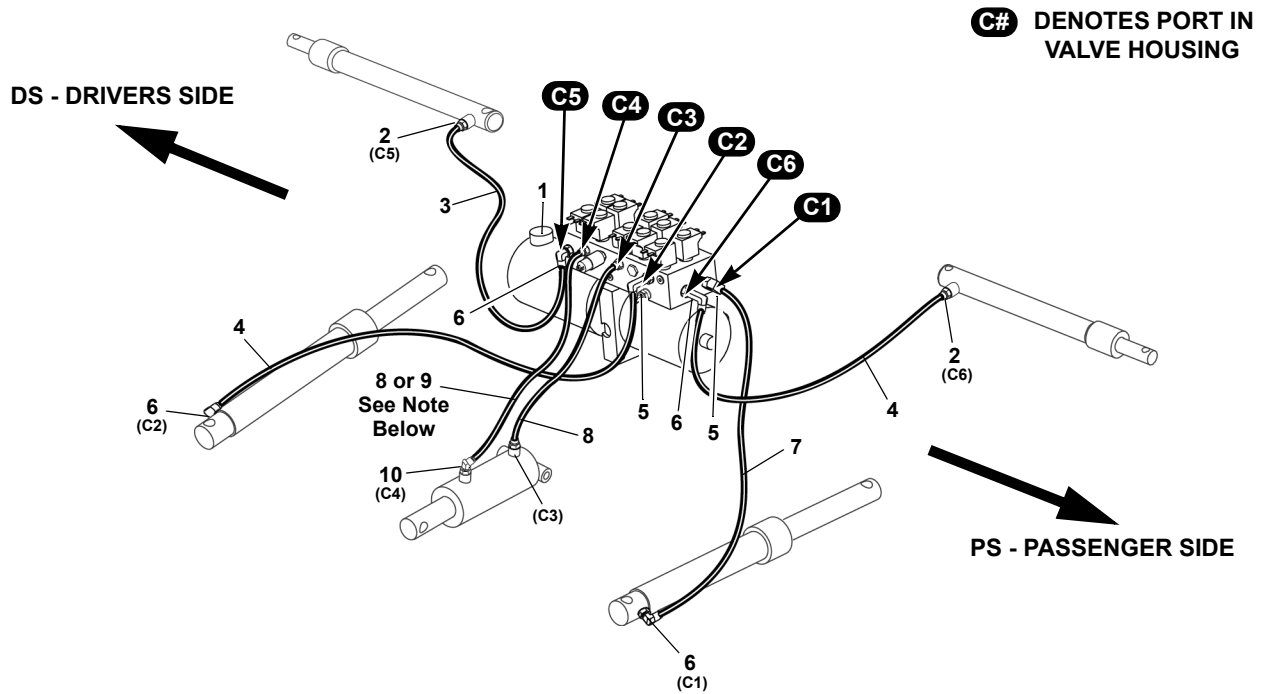
ITEM	PART NO.	DESCRIPTION	QTY
1		Power Unit (see page 27 for parts breakdown).....	1
2	96100000	Fitting, Straight Connector.....	2
3	96102369	Hose, Hydraulic, 48", DS (Valve Port #C5).....	2
4	96106071	Hose, Hydraulic, 32", PS (Valve Port #C1 & C6).....	2
5	96112893	Fitting, Elbow, 90°, Double Length.....	1
6	96100001	Fitting, Elbow, 90°.....	5
7	96106070	Hose, Hydraulic, 27-1/2" (Valve Port #C2).....	1
8	96106069	Hose, Hydraulic, 18-3/4" (Valve Port #C3).....	2
9	96104953	Hose, Hydraulic, 18" (See Note below).....	1
10	96100003	Fitting, Elbow, 45° (See Note below).....	1

NOTE: If the A-Frame looks like image A below, the Hydraulic System requires item 8. If the A-Frame looks like image B or C below, the Hydraulic System requires items 9 & 10.



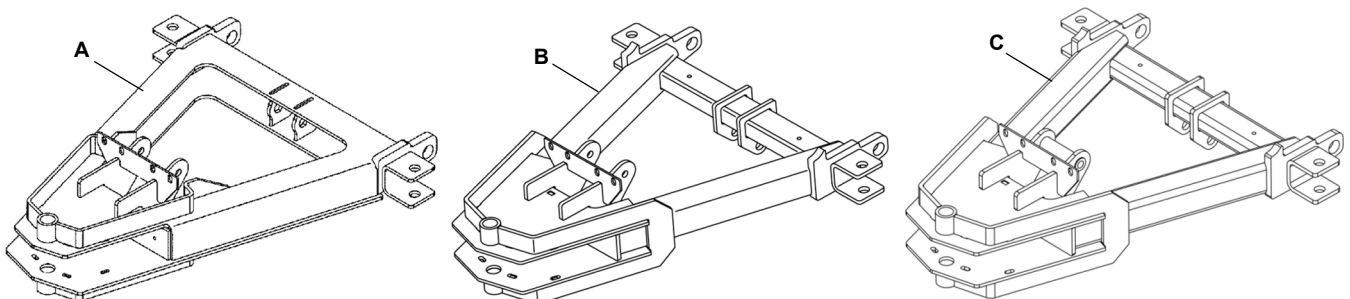
HYDRAULIC SYSTEM - 29R

With S.N. After: 29R100604

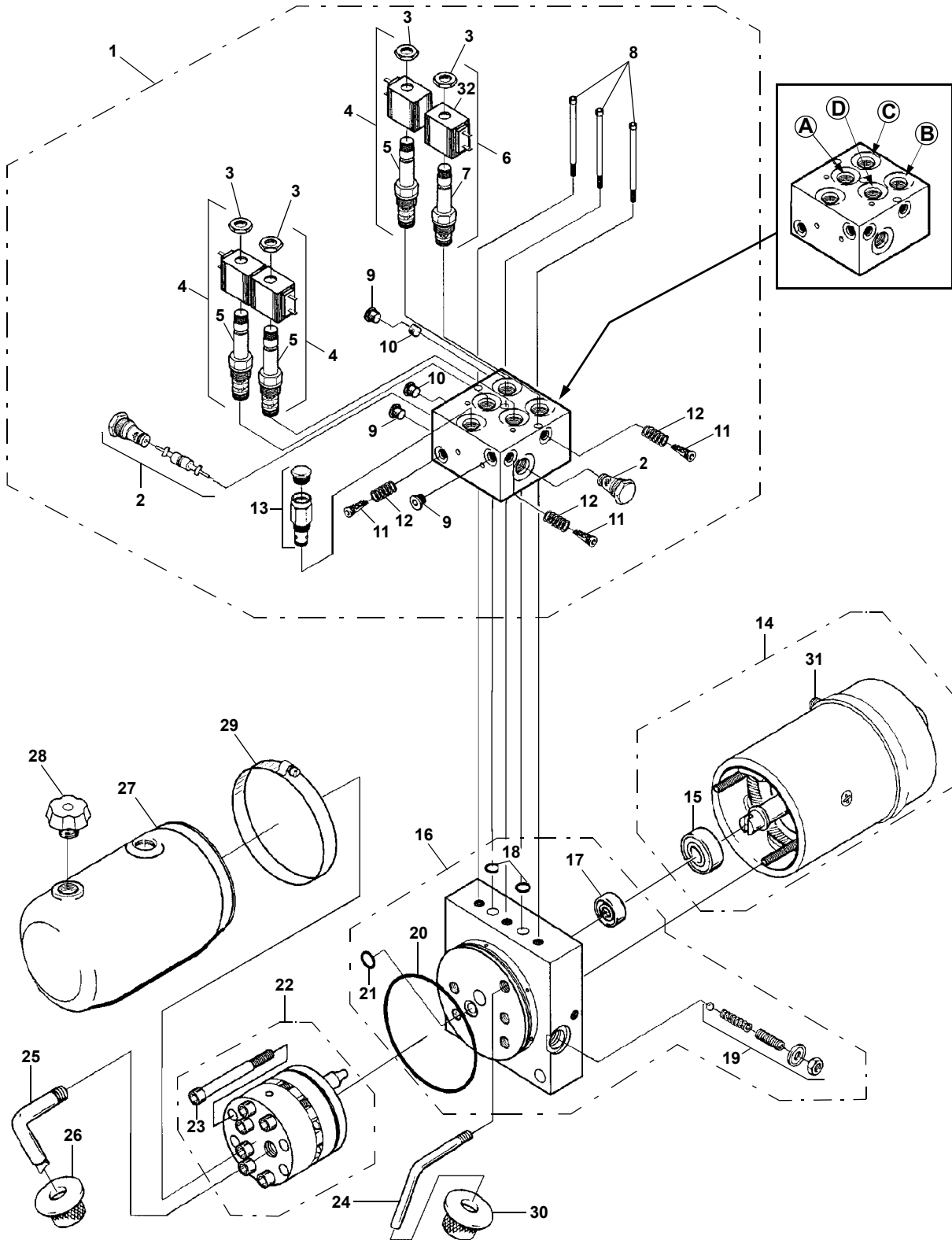


ITEM	PART NO.	DESCRIPTION	QTY
1		Power Unit (see page 29 for parts breakdown).....	1
2	96100000	Fitting, Straight Connector.....	2
3	96114395	Hose, Hydraulic, 37", DS (Valve Port #C5).....	1
4	96106071	Hose, Hydraulic, 32" (Valve Port #C2, C6).....	2
5	96112893	Fitting, Elbow, 90° (Double Length).....	2
6	96100001	Fitting, Elbow, 90°.....	4
7	96100004	Hose, Hydraulic, 24" (Valve Port #C1).....	1
8	96106069	Hose, Hydraulic, 18-3/4" (Valve Port #C3 And C4).....	2
9	96104953	Hose, Hydraulic, 18" (See Note below).....	1
10	96100003	Fitting, Elbow, 45° (See Note below).....	1

NOTE: If the A-Frame looks like image A below, the Hydraulic System requires item 8. If the A-Frame looks like image B or C below, the Hydraulic System requires items 9 & 10.



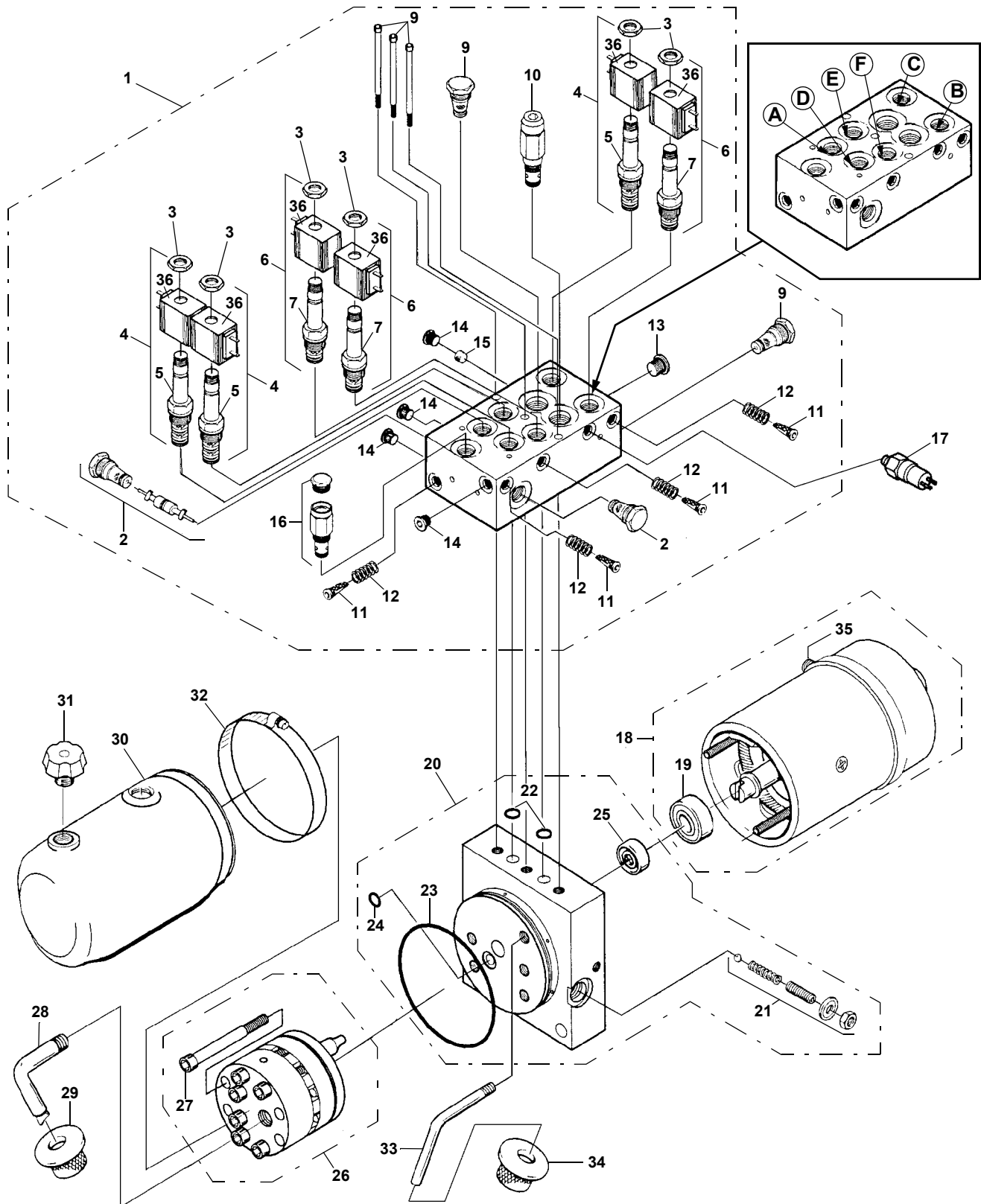
HYDRAULIC POWER UNIT GRAVITY DOWN SYSTEM - 29HD, 29THD



HYDRAULIC POWER UNIT GRAVITY DOWN SYSTEM - 29HD, 29THD

ITEM	PART NO.	DESCRIPTION	QTY
1		Valve Assembly	1
2	96112948	Valve, Check	1
3	96105275	Nut, Coil Retaining	4
4		Valve, 10V DC (Red Coil) - Use part 96112584	3
	96112584	Valve, 3-Way, 10V DC (Black Coil).....	3
5		Cartridge (Red Coil) - Use part 96112584	3
	96108324	Cartridge, 3-Way (Black Coil).....	3
6		Valve, 10V DC (Red Coil) - Use part 96112583	1
	96112583	Valve, 2-Way, 10V DC (Blue Coil)	1
7		Cartridge (Red Coil) - Use part 96112583.....	1
	96108325	Cartridge (Blue Coil).....	1
8	96105237	Screw	3
9	96105234	Fitting, Plug	4
10	96106102	Fitting, Orifice	1
	96108627	Kit, Orifice (to adjust drop rate)	1
11	96105250	Screen, Inline	3
12	96105251	Spring, Retaining.....	3
13	96106417	Valve, Relief, Crossover, (2400 psi)	1
14	96105233	Motor, 12V DC.....	1
15		Bearing, Motor Base.....	1
16		Base Assembly, Pump	1
17	96105317	Seal, Shaft.....	1
18	96105314	O-Ring.....	2
19	96105313	Kit, System Relief Valve	1
20	96105315	O-Ring.....	1
21	96105316	O-Ring.....	1
22	96105735	Pump Assembly	1
23		Screw, Socket Head Cap	4
24	96105249	Tube, Return (For S.N. Between 29HDG100048 - 29HDG100074)	1
	96114440	Tube, Return, 45°, 3/8" NPT (For S.N. 29HDG100075 and After)	1
25	96105246	Tube, Suction	1
26	96105245	Filter, Suction.....	1
27	96105241	Reservoir	1
28	96105244	Filler Cap.....	1
29	96105231	Clamp.....	1
30	96105318	Filter, Return (For S.N. Between 29HDG100048 - 29HDG100074).....	1
	96105245	Filter, Return (For SN 29HDG100075 and After)	1
31	96105312	Brush, Replacement Kit.....	1
32	96111171	Coil, 10V DC.....	1

HYDRAULIC POWER UNIT DOWN PRESSURE SYSTEM - 29HD With S.N. Before: 29HDD201424

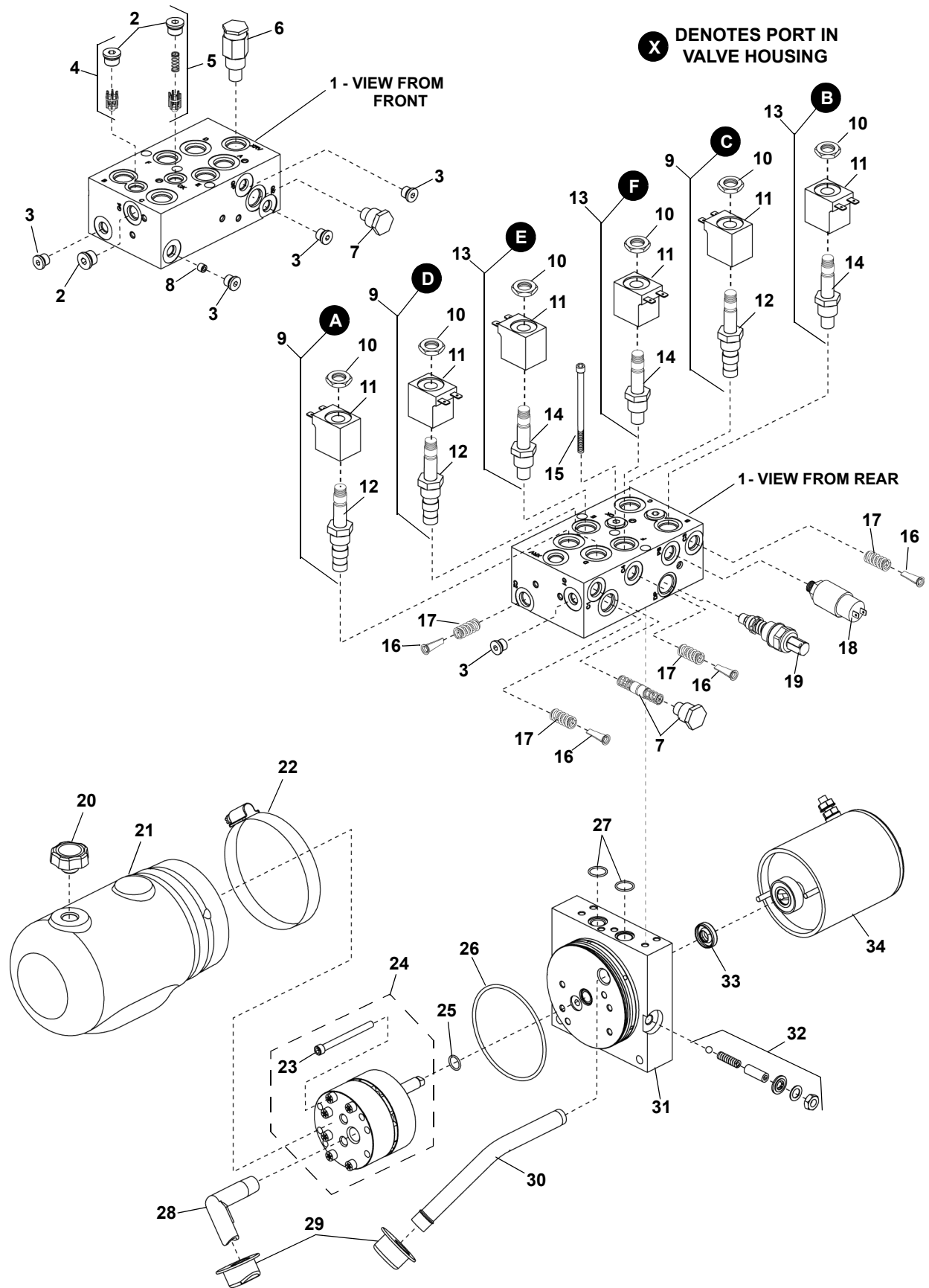


**HYDRAULIC POWER UNIT
DOWN PRESSURE SYSTEM - 29HD
With S.N. Before: 29HDD201424**

ITEM	PART NO.	DESCRIPTION	QTY
1		Valve Assembly	1
2	96112948	Valve, Check.....	1
3	96105275	Nut, Coil Retaining.....	6
4		Valve, 10V DC (Red Coil) - Use part 96112584.....	3
	96112584	Valve, 3-Way, 10V DC (Black Coil).....	3
5		Cartridge (Red Coil) - Use part 96112584	3
	96108324	Cartridge, 3-Way (Black Coil)	36
6		Valve, 10V DC (Red Coil) - Use part 96112583.....	3
	96112583	Valve, 2-Way, 10V DC (Blue Coil).....	3
7		Cartridge (Red Coil) - Use part 96112583	3
	96108325	Cartridge, 2-Way (Blue Coil).....	3
8	96105237	Screw.....	3
9	96105238	Valve, Check.....	2
10	96105239	Valve, Relief, Down Pressure (680-720 psi).....	1
11	96105250	Screen, Inline.....	4
12	96105251	Spring, Retaining	4
13	96105240	Fitting, Plug.....	2
14	96105234	Fitting, Plug.....	4
15	96105255	Fitting, Orifice (to adjust drop rate).....	1
	96108627	Kit, Orifice	1
16	96106417	Valve, Relief, Crossover (2400 psi)	1
17	96100311	Switch, Pressure (525 psi).....	1
18	96105233	Motor, 12V DC	1
19		Bearing, Motor Base	1
20		Base Assembly, Pump.....	1
21	96105313	Kit, System Relief Valve.....	1
22	96105314	O-Ring	2
23	96105315	O-Ring	1
24	96105316	O-Ring	1
25	96105317	Seal, Shaft	1
26	96105735	Pump Assembly.....	1
27		Screw, Socket Head Cap.....	4
28	96105246	Tube, Suction.....	1
29	96105245	Filter.....	1
30	96105241	Reservoir	1
31	96105244	Filler Cap	1
32	96105231	Clamp	1
33	96105249	Tube, Return	1
34	96105318	Filter, Return	1
35	96105312	Brush Replacement Kit.....	2
36	96111171	Coil, 10V DC.....	3

HYDRAULIC POWER UNIT - 29HD & 29THD

With S.N. After: 29HDD201424, 29THDD100000



HYDRAULIC POWER UNIT - 29HD & 29THD

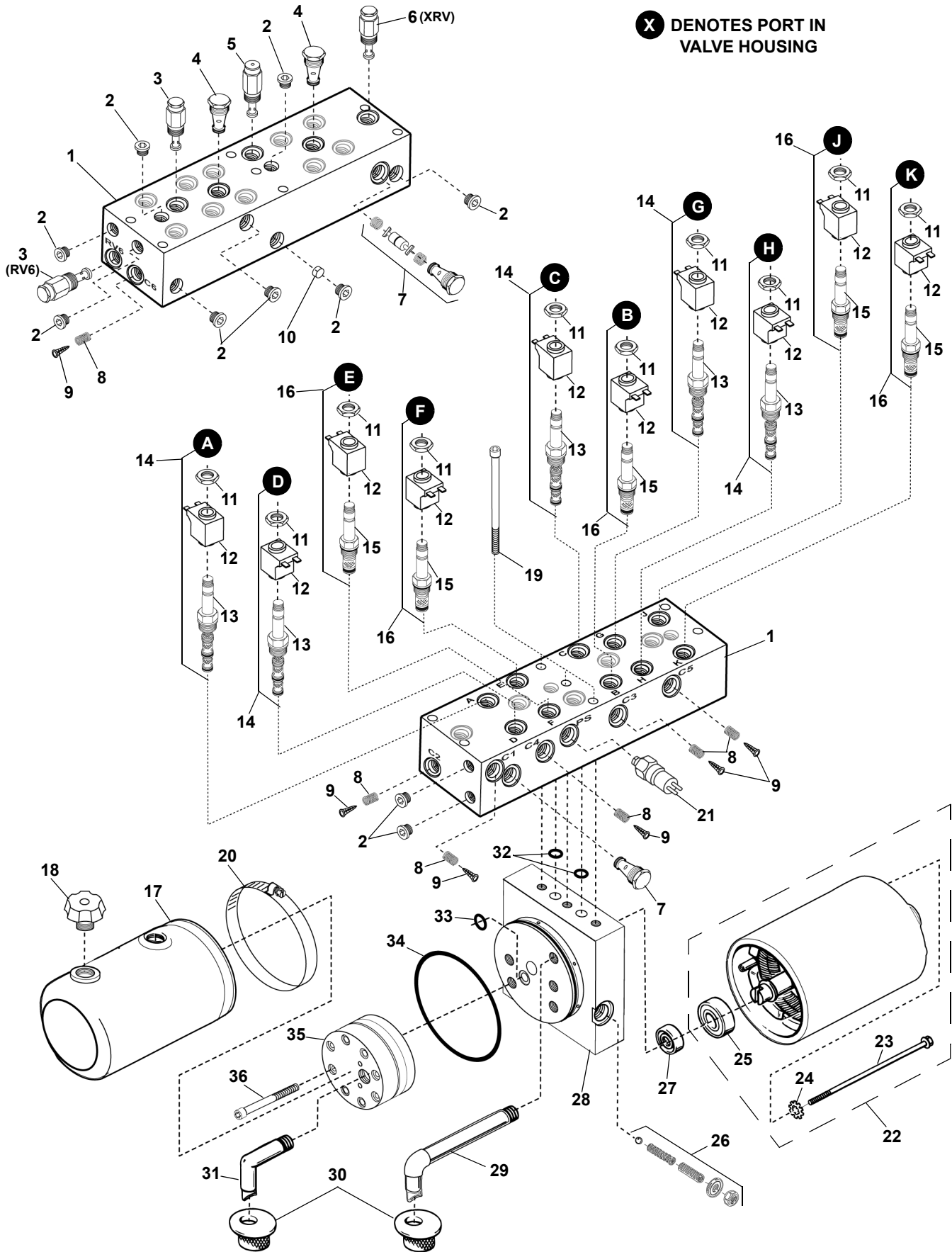
With S.N. After: 29HDD201424, 29THDD100000

ITEM	PART NO.	DESCRIPTION	QTY
1		Housing, Valve	1
2	96105234	Plug, SAE O-Ring, 7/16"-20.....	5
3	96105240	Plug, SAE O-Ring, 9/16"-18.....	3
4	96114438	Poppet, Check (Float Circuit - Without Spring)	1
5	96114413	Kit, Poppet Check and Spring	1
6	96106417	Valve, Relief, Crossover (2400 psi).....	1
7	96112948	Kit, Check Valve (Includes 2 Check Valves, Piston Assembly and 2 Springs Per Kit).....	1
8	96105255	Plug, Orifice, 0.093 Dia.	1
	96108627	Kit, Orifice (To Adjust Drop Rate).....	1
9	96112584	Kit, Valve Cartridge (Includes 10, 11, 12).....	3
10	96105275	Nut, Coil, Parker	6
11	96111171	Coil, 10 VDC	6
12	96108324	Cartridge, 3W/2P	3
13	96112583	Kit, Valve Cartridge (Includes 10, 11, 14).....	3
14	96108325	Cartridge, 2W/2P, NC, Poppet	3
15	96105237	Screw, Socket Head, 1/4"-20 x 3"	3
16	96105250	Filter Screen, Pressure Ports.....	4
17	96105251	Spring, Retaining, Port Filter	4
18	96100311	Switch, Pressure (525 psi).....	1
19	96114408	Valve, Relief, Down Pressure (680-720 psi)	1
20	96105244	Plug, Breather	1
21	96105241	Reservoir, Plastic	1
22	96105231	Clamp	1
23		SHCS	4
24	96107803	Pump Assembly (Includes Item 23)	1
25	96105316	O-Ring, 1/2" x 5/8" x 1/16"	1
26	96105315	O-Ring, 3-5/8" x 3-7/8" x 1/8"	1
27	96105314	O-Ring, 5/8" x 3/4" x 1/16"	2
28	96105246	Tube, Suction, 90°, 3/8" NPT	1
29	96105245	Filter Screen	2
30	96114440	Tube, Return, 45°, 3/8" NPT	1
31		Base, Pump	1
32	96105313	Kit, System Relief Valve	1
33	96105317	Seal, Shaft	1
34	96105233	Motor, 12VDC	1

HYDRAULIC POWER UNIT - 29R

With S.N. Before: 29R100604

X DENOTES PORT IN VALVE HOUSING



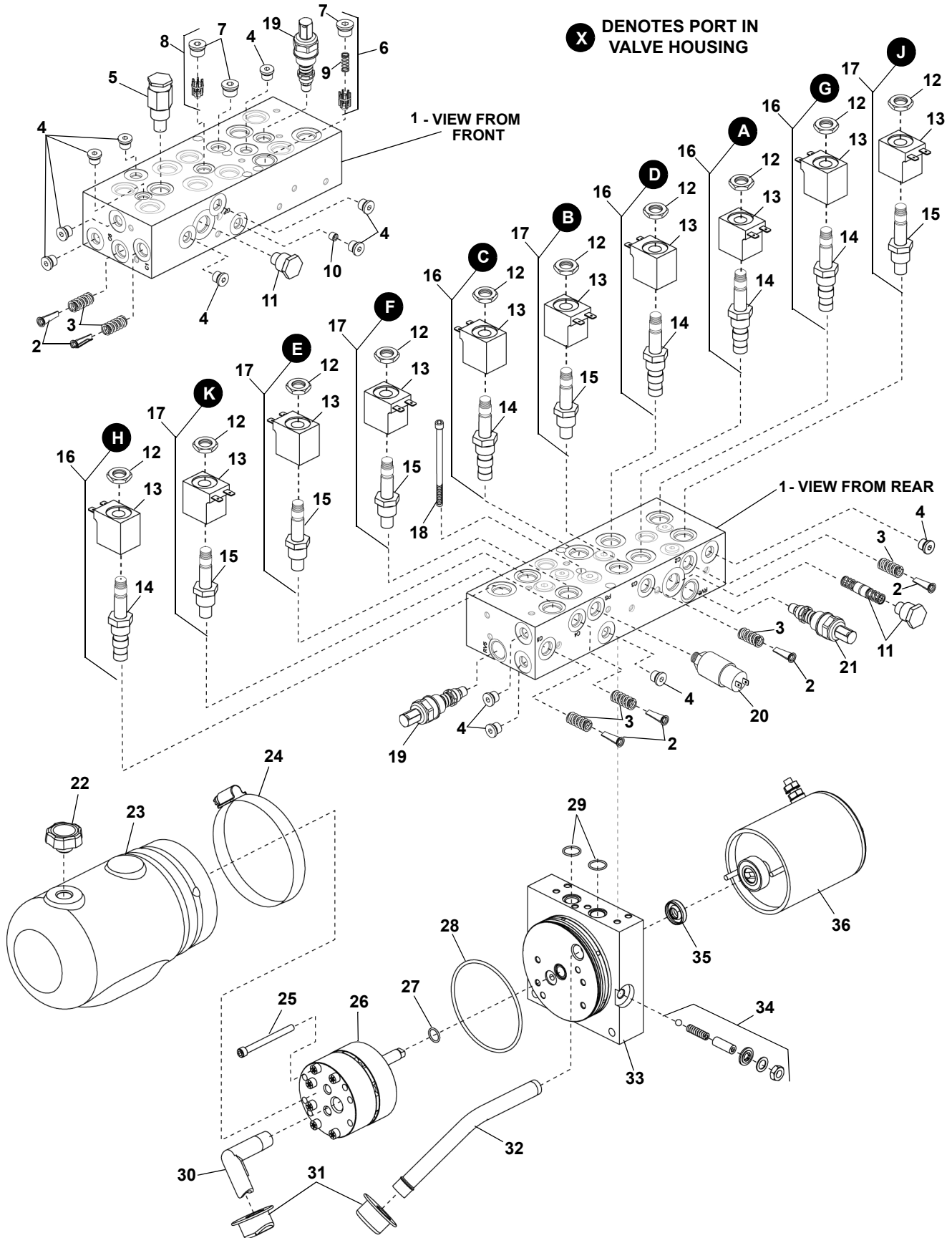
HYDRAULIC POWER UNIT - 29R

With S.N. Before: 29R100604

ITEM	PART NO.	DESCRIPTION	QTY
1		Housing, Valve	1
		Plug, Expander, Ball Type (Not Shown).....	19
2	96105234	Fitting, Plug	10
3	96113408	Valve, Relief, WIng (1400 psi).....	2
4	96105238	Valve, Ck, Cart, Size 8	2
5	96105239	Valve, Relief, Down Pressure (680-720 psi)	1
6	96106417	Valve, Relief, Crossover (2400 psi).....	1
7	96112948	Kit, Check Valve, Deltro	2
		Valve, Piston Assembly.....	1
8	96105250	Filter, Inline	6
9	96105251	Spring, Retaining	6
10	96106102	Plug, Orifice, #55	1
11	96105275	Nut, Coil	10
12	96111171	Coil, 10VDC	10
13	96108324	Valve, Cartridge, 3W/2P, #8, Hi-Flow	5
14	96112584	Kit, Valve Cartridge (Incudes Items #11, 12, 13).....	5
15	96108325	Valve, Cartridge, 2W/2P, NC, Poppet	5
16	96112583	Kit, Valve Cartridge (Incudes Items #11, 12, 15).....	5
17	96112556	Reservoir, Plastic	1
18	96105244	Plug, Breather	1
19	96105237	Screw, Socket Head, 1/4"-20 X 3"	3
20	96105231	Clamp	1
21	96100311	Switch, Pressure (525 psi).....	1
22	96105233	Motor, 12 VDC 4.5"	1
23		FHCS	2
24		Washer, External Tooth	2
25		Bearing, Motor Base	1
26	96105313	Kit, System Relief Valve.....	1
27	96105317	Seal, Shaft	1
28		Base Assembly	1
29	96112558	Tube Assembly, Return.....	1
30	96105245	16.32 Filter	2
31	96105737	Tube, Suction, 90°, 3/8" NPT	1
32	96105314	O-Ring (5/8" x 3/4" x 1/16").....	2
33	96105316	O-Ring (1/2" x 5/8" x 1/16").....	1
34	96105315	O-Ring (3-5/8" x 3-7/8" x 1/8")	1
35	96105735	Pump Assembly.....	1
36		SHCS	4

HYDRAULIC POWER UNIT - 29R

With S.N. After: 29R100604



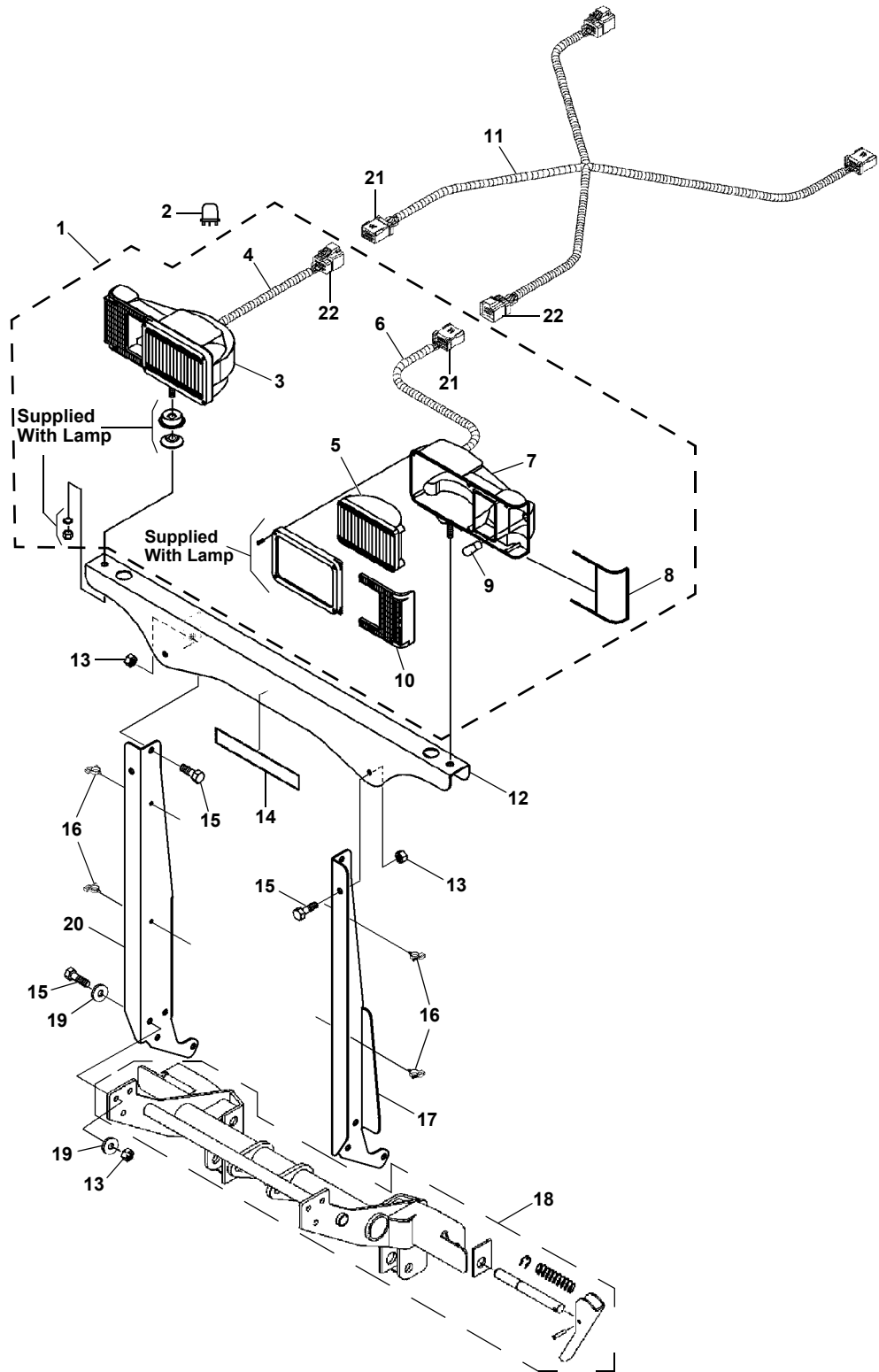
HYDRAULIC POWER UNIT - 29R

With S.N. After: 29R100604

ITEM	PART NO.	DESCRIPTION	QTY
1		Housing, Valve	1
		Plug, Expander, Ball Type (Not Shown).....	17
2	96105250	Filter Screen, Pressure Ports.....	6
3	96105251	Spring, Retaining, Port Filter	6
4	96105234	Plug, SAE O-Ring, 7/16"-20.....	11
5	96106417	Valve, Relief, Crossover (2400 psi).....	2
6	96114413	Poppet, Check (Includes #8 When Required.....	2
7	96105240	Plug, SAE O-Ring, 9/16"-18.....	3
8	96114438	Valve, Poppet Check (Without Spring).....	1
9		Spring, Light Check Valve, M-SR.....	1
10	96106102	Plug, Orifice, #55	1
11	96112948	Kit, Check Valve, Deltro (Includes 2 Check Valves, 1 Piston Assembly and 2 Springs)	1
12	96105275	Nut, Coil	10
13	96111171	Coil, 10VDC	10
14	96108324	Valve Cartridge, 3W/2P, #8, Hi-Flow	5
15	96108325	Valve Cartridge, 2W/2P, NC, Poppet	5
16	96112584	Kit, Valve Cartridge (Includes Items #12, 13, 14).....	5
17	96112583	Kit, Valve Cartridge (Includes Items #12, 13, 15).....	5
18	96105237	Screw, Socket Head 1/4"-20 x 2-3/4".....	3
19	96114410	Valve, Relief, Wing (1400 psi).....	1
20	96100311	Switch, Pressure (525 psi).....	1
21	96114408	Valve, Relief, Down Pressure (680-720 psi)	1
22	96105244	Plug, Breather	1
23	96105241	Reservoir, Plastic	1
24	96105231	Clamp	1
25		SHCS	4
26	96105735	Pump Assembly	1
27	96105316	O-Ring, 1/2" x 5/8" x 1/16"	1
28	96105315	O-Ring, 3-5/8" x 3-7/8" x 1/8".....	1
29	96105314	O-Ring, 5/8" x 3/4" x 1/16"	2
30	96105737	Tube, Suction, 90°, 3/8" NPT	1
31	96105245	Filter screen	2
32	96114440	Tube, Return, 45°, 3/8" NPT	1
33		Base, Pump	1
34	96105313	Kit, System Relief Valve.....	1
35	96105317	Seal, Shaft	1
36	96105233	Motor, 12VDC, 4.5"	1

AUXILIARY LIGHTS

With S.N. Between: 29HDG100000-100050, 29HDD100000-201000,
29R100000-100499



AUXILIARY LIGHTS

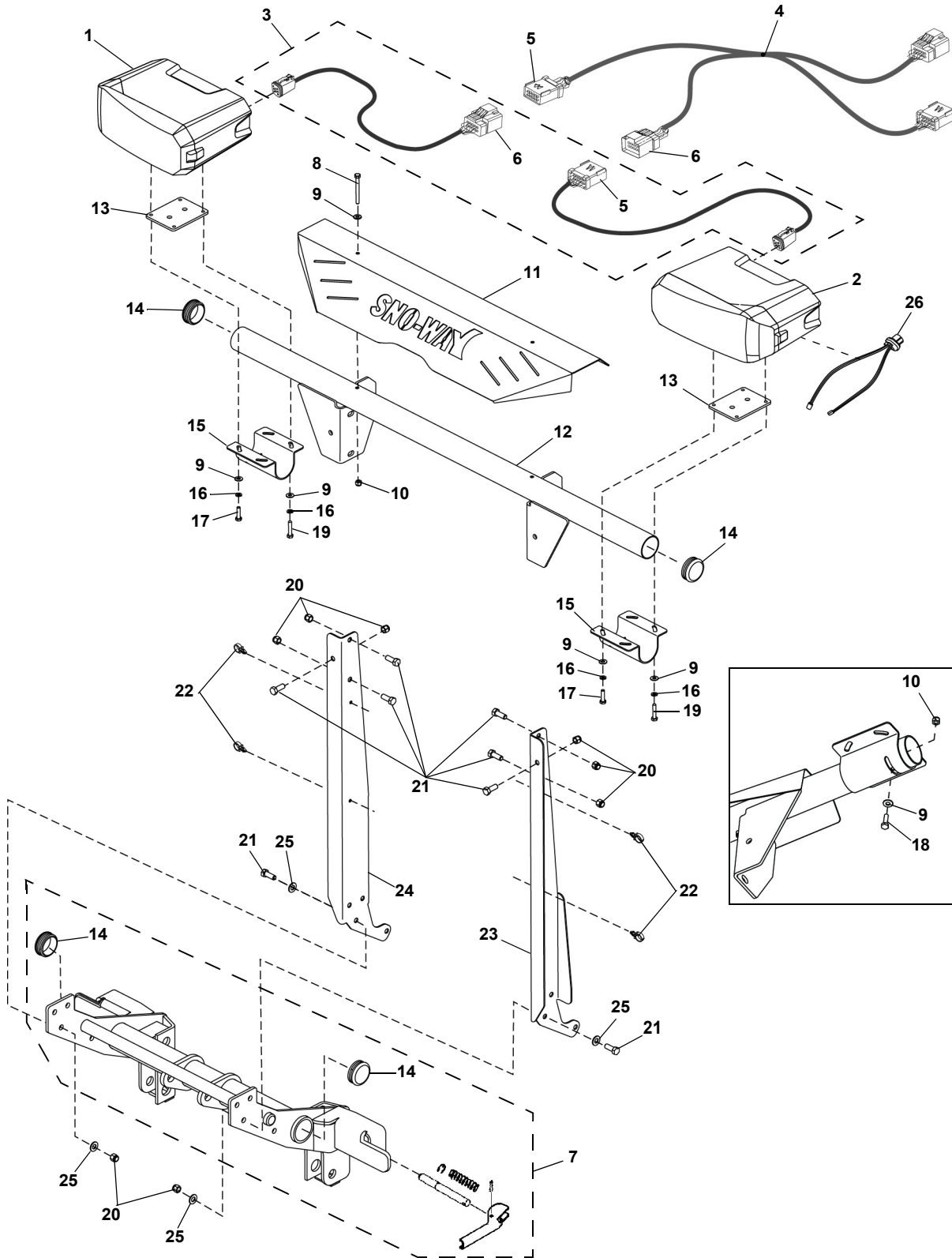
**With S.N. Between: 29HDG100000-100050, 29HDD100000-201000,
29R100000-100499**

ITEM	PART NO.	DESCRIPTION	QTY
1	96107893	Kit, Lamp, EIS.....	1
2	96003010	Flasher (Sold separately from Lamp Kit - item 1)	1
3	96107984	Light, Assembly, RH, EIS.....	1
4		Harness, Plow Light, RH, EIS (Use Item 23 For Replacement)	1
5	96100514	Lamp, Sealed Beam	2
6		Harness, Plow Light, LH, EIS (Use Item 23 For Replacement).....	1
7	96107983	Light, Assembly, LH, EIS	1
8		Gasket, Turn Signal.....	2
9	96003060	Lamp, Park & Turn.....	2
10		Lens, Turn Signal.....	2
11	96115630	Harness, Main Light, EIS*	1
12	96108030	Light Bar Assembly.....	1
13	98009009	Nut, Hex., Nylock, 3/8"-16	12
14	97100882	Decal, Sno-Way.....	1
15	98009022	Capscrew, Hex., 3/8"-16 x 1"	12
16	96100440	Clip, Rosebud	4
17	96108628	Support, LH, 32 Series	1
	96108630	Support, LH, 29 Series	1
18	96107400	Assembly, Light/Lift Bar, Quick-Attach	1
19	98009032	Washer, Flat, 3/8"	8
20	96108629	Support, RH, 32 Series.....	1
	96108631	Support, RH, 29 Series.....	1
21	96108116	Connector, Male.....	2
22	96108117	Connector, Female	2
23	96110119	Kit, Conversion, Std Lights To EIS (Includes #4, 6, 21, 22)	1

*** NOTE: Adapter required. See Application Guide**

AUXILIARY LIGHTS

S.N. AFTER: 29HDD201000, 29HDG200000, 29R100500,
29THDG100000, 29THDD100000

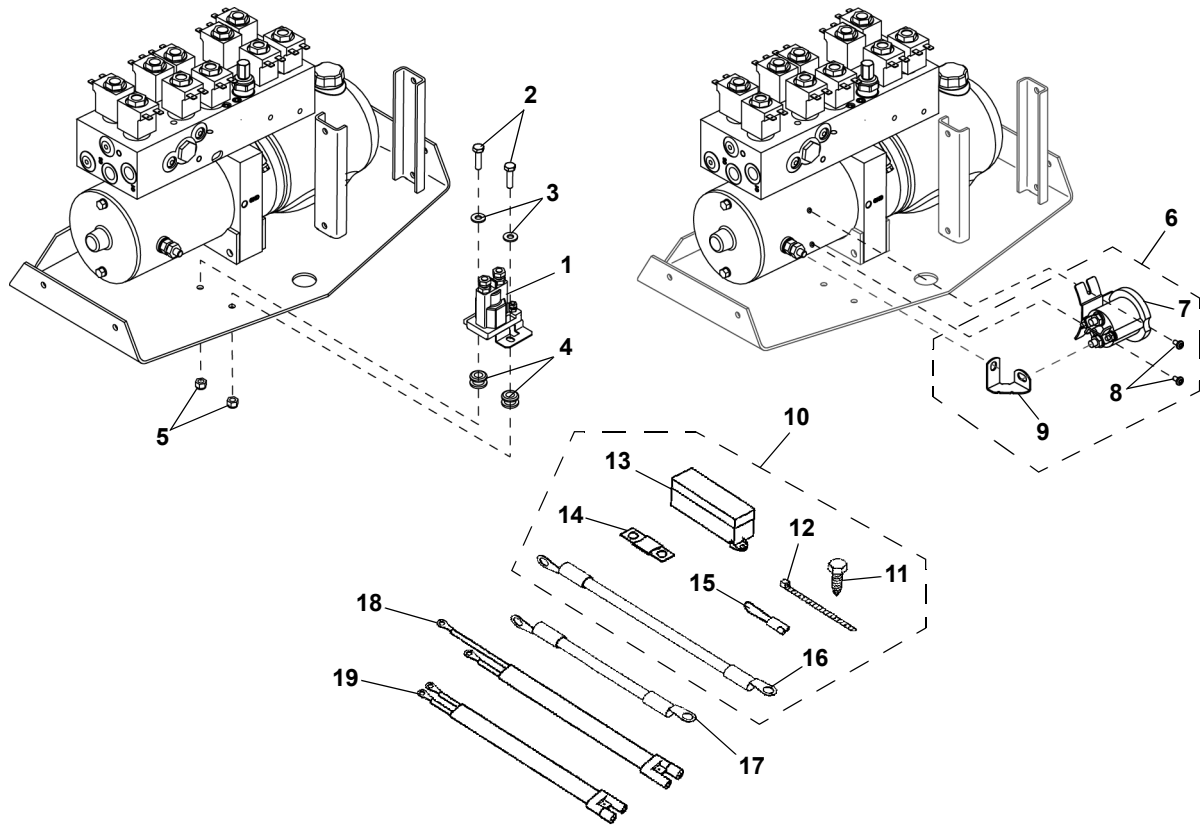


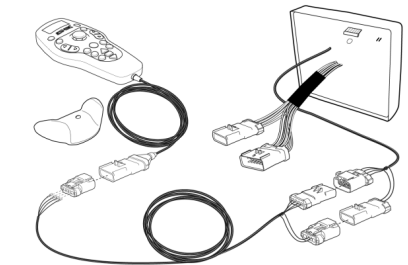
AUXILIARY LIGHTS

**S.N. AFTER: 29HDD201000, 29HDG200000, 29R100500,
29THDG100000, 29THDD100000**

ITEM	PART NO.	DESCRIPTION	QTY
1	96113768	Light Assembly, Composite, PS, EIS.....	1
2	96113767	Light Assembly, Composite, DS, EIS.....	1
3	96110260	Kit, Harness, Plow Light, EIS.....	1
4	96115630	Harness, Main Light, EIS.....	1
5	96108116	Connector, Male.....	2
6	96108117	Connector, Female.....	2
7	96107400	Assembly, Light/Lift Bar, Quick-Attach.....	1
8	98100495	Capscrew, Hex., 1/4"-20 x 2-1/2", SS.....	2
9	98100240	Washer, Flat, 1/4", SS.....	12
10	98100336	Nut, Hex., Nylock, 1/4"-20, SS.....	1
11	96113645	Plate, Sno-Way, Front.....	1
12	96113690	Weldment, Upper Light Bar.....	1
13	96113649	Isolator, Rubber.....	2
14	96108873	End Cap, 2".....	4
15	96113583	Bracket, Light Assembly.....	2
16	98009226	Washer, Lock, 1/4", SS.....	4
17	98100129	Capscrew, Hex., 1/4"-20 x 1", SS.....	4
18	98100343	Capscrew, Hex., 1/4"-20 x 7/8", SS.....	2
19	98100335	Capscrew, Hex., 1/4"-20 x 1-1/4", SS.....	4
20	98009009	Nut, Hex., Nylock, 3/8"-16.....	14
21	98009022	Capscrew, Hex., 3/8"-16 x 1".....	14
22	96100440	Clip, Rosebud.....	4
23	96113693	Support, DS.....	1
24	96113694	Support, PS.....	1
25	98009032	Washer, Flat, 3/8".....	16
26	96115629	Kit, Repair, Light Harness (Internal).....	1

POWER PACK WIRING





NOTE: See manual 97101915 - Snow Plow and Spreader Controls, for parts breakdown and details on your specific control. Image is only a representation of a controller and may not reflect actual product.

ITEM	PART NO.	DESCRIPTION	QTY
1	96002086	Switch, Solenoid (Platform Mounted	1
2	98009027	Capscrew, Hex, 1/4"-20 x 1".....	2
3	98100254	Washer, Flat, 1/4"	2
4	96105282	Grommet, 3/8" ID	2
5	98100255	Nut, Hex Head Nylock, 1/4"-20	2
6	96115528	Kit, Solenoid Switch (Includes items 7-9).....	1
7	96115526	Switch, Solenoid (Motor Mounted)	1
8	98100559	TPHS, #10-32 x 5/16"	2
9	96115527	Strap, Copper	1
10	96105167	Bag Power Harness Parts	1
11	98100037	Screw, Self Tapping, #10-16 x 1"	2
12	96001227	Strap, Tie Plastic	2
13	96109143	Fuse Holder.....	1
14	96109142	Fuse, 250 Amp.....	1
15	96105082	Cap, Protective.....	2
16	96102891	Cable, Power.....	1
17	96105273	Harness, Solenoid - HT Series.....	1
18	96104230	Harness, Plow Power.....	1
19	96104221	Harness, Battery Power	1

NUMERICAL INDEX

PART NO.	PAGE	ITEM	PART NO.	PAGE	ITEM	PART NO.	PAGE	ITEM
96001227	35	12	96105237	22	8	96105313	22	19
96001392	6	64		24	8		24	21
96002086	35	1		26	15		26	32
96003010	32	2		28	19		28	26
96003060	32	9	96105238	30	18		30	34
96100000	14	14		24	9	96105314	22	18
	19	2		28	4		24	22
	20	2	96105239	24	10		26	27
96100001	17	3		28	5		28	32
	18	3	96105240	24	13		30	29
	19	6		26	3	96105315	22	20
	20	6		30	7		24	23
96100003	18	7	96105241	22	27		26	26
	19	10		24	30		28	34
	20	10		26	21		30	28
96100004	20	7		30	23	96105316	22	21
96100311	24	17	96105244	22	28		24	24
	26	18		24	31		26	25
	28	21		26	20		28	33
	30	20		28	18		30	27
96100440	32	16		30	22	96105317	22	17
	34	22	96105245	22	26		24	25
96100514	32	5		22	30		26	33
96101891	6	49		24	29		28	27
	8	44		26	29		30	35
96102168	4	32		28	30	96105318	22	30
	8	37		30	31		24	34
96102369	19	3	96105246	22	25	96105457	6	60
96102891	35	16		24	28	96105735	22	22
96104221	35	19		26	28		24	26
96104230	35	18	96105249	22	24		28	35
96104953	18	6		24	33		30	26
	19	9	96105250	22	11	96105737	28	31
	20	9		24	11		30	30
96105082	35	15		26	16	96105959	6	46
96105167	35	10		28	8		8	29
96105231	22	29		30	2	96106069	17	2
	24	32	96105251	22	12		18	2
	26	22		24	12		19	8
	28	20		26	17		20	8
	30	24		28	9	96106070	19	7
96105233	22	14	96105255	30	3	96106071	17	5
	24	18		24	15		18	5
	26	34		26	8		19	4
	28	22	96105273	35	17		20	4
	30	36	96105275	22	3	96106076	4	34
96105234	22	9		24	3		8	36
	24	14		26	10	96106077	4	34
	26	2		28	11		8	36
	28	2	96105282	30	12	96106102	22	10
	30	4		35	4		28	10
			96105312	22	31		30	10
				24	35			

NUMERICAL INDEX

PART NO.	PAGE	ITEM	PART NO.	PAGE	ITEM	PART NO.	PAGE	ITEM
96106144	4	17	96108325	22	7	96112584	22	4
	8	13		24	7		24	4
96106184	6	65		26	14		26	9
	10	52		28	15		28	14
96106417	22	13		30	15		30	16
	24	16	96108497	16	3	96112726	12	5
	26	6	96108627	22	10		16	28
	28	6		24	15	96112727	12	5
	30	5		26	8		16	28
96106605	4	39	96108628	32	17	96112893	19	5
	8	23	96108629	32	20		20	5
96107125	4	5	96108630	32	17	96112948	22	2
	8	4	96108631	32	20		24	2
96107128	4	12	96108873	4	8		26	7
	8	7		10	59		28	7
96107130	4	14		34	14		30	11
	8	9	96108874	4	7	96113054	12	5
96107208	16	5		10	60		16	28
96107329	4	11	96108876	6	57	96113055	12	5
	8	6	96109142	35	14		16	28
96107365	16	9	96109143	35	13	96113170	13	6
96107374	16	4	96109981	6	59	96113184	13	1
96107396	6	59	96110119	32	23	96113232	14	9
96107400	4	5	96110260	34	3	96113235	13	7
	8	4	96110413	4	15	96113240	13	5
	32	18		8	10	96113251	12	9
	34	7	96110953	6	54	96113321	13	14
96107673	16	8		10	49	96113322	13	15
96107711	4	40	96111171	22	32	96113323	13	13
	8	24		24	36	96113408	28	3
96107767	4	29		26	11	96113426	4	1
	8	20		28	12	96113427	4	1
96107768	4	29		30	13		8	1
	8	20	96111891	4	33	96113583	34	15
96107803	26	24		8	35	96113645	34	11
96107893	32	1	96111895	4	21	96113649	34	13
96107983	32	7		8	16	96113690	34	12
96107984	32	3	96112134	8	34	96113693	34	23
96108030	32	12	96112352	12	1	96113694	34	24
96108116	32	21		14	1	96113767	34	2
	34	5		16	25	96113768	34	1
96108117	32	22	96112489	6	69	96113791	17	4
	34	6	96112556	28	17		18	4
96108324	22	5	96112558	28	29			
	24	5	96112583	22	6	96114343	14	8
	26	12		24	6	96114395	20	3
	28	13		26	13	96114408	26	19
	30	14		28	16		30	21
				30	17	96114410	30	19

NUMERICAL INDEX

PART NO.	PAGE	ITEM	PART NO.	PAGE	ITEM	PART NO.	PAGE	ITEM
96114413	26	5	98009022	6	67	98100118	13	4
	30	6		10	54		16	19
96114421	13	15		32	15	98100123	13	3
96114422	13	13		34	21	98100129	34	17
96114423	13	14	98009027	6	47	98100172	4	22
96114438	26	4		8	42		8	33
	30	8		35	2	98100176	4	25
96114440	22	24	98009029	6	48		8	17
	26	30		8	43		12	8
	30	32	98009030	4	20		16	29
96114511	4	1		8	15	98100240	34	9
	8	1		14	7	98100254	35	3
96114677	16	2	98009032	6	41	98100255	6	50
96114723	16	12		8	25		10	45
96114812	16	17		32	19		35	5
96114885	16	21		34	25	98100264	6	70
96115526	35	7	98009036	14	12		10	61
96115527	35	9	98009037	6	63	98100266	6	68
96115528	35	6	98009038	16	13		10	55
96115629	34	26	98009039	16	11	98100290	4	28
96115630	32	11	98009053	16	15		8	19
	34	4	98009075	14	5	98100294	6	66
				16	7		10	53
96115635	6	55	98009078	6	62	98100300	4	18
96112126	10	50		14	11		8	12
96113472	6	72	98009085	4	19	98100312	4	13
	10	63		8	14		8	8
96116070	8	34	98009099	12	7	98100313	4	16
96116126	4	26		16	27		8	11
96116278	14	15	98009134	6	58	98100315	6	61
97100400	4	6	98009150	6	71	98100324	14	6
97100882	32	14		10	62	98100335	34	19
97101835	12	4	98009217	16	10	98100336	34	10
	13	16	98009226	34	16	98100343	34	18
98009003	14	4	98019176	4	9	98100390	4	24
	16	1		10	56		8	27
98009009	6	52	98019230	4	10	98100428	4	36
	10	46		10	57		8	39
	32	13	98100006	6	56	98100457	14	10
	34	20		10	51	98100474	16	14
98009013	4	23	98100007	4	38	98100481	13	8
	8	32		8	38	98100495	34	8
	12	6	98100037	35	11	98100538	12	10
	13	9	98100040	6	51		16	22
	14	13		10	47	98100559	35	8
	16	26	98100062	4	27			
98009017	14	16		8	18			
			98100115	13	2			
				16	18			

SNO-WAY[®] INTERNATIONAL, INC.

SNO-WAY[®]
SNOW & ICE CONTROL EQUIPMENT

Hartford, WI 53027 USA
Website: www.snoway.com
©2023 Sno-Way[®] International