

# **SNO-WAY<sup>®</sup>**

***SNOW & ICE CONTROL EQUIPMENT***

## **SERVICE PARTS MANUAL**

**SNO-WAY<sup>®</sup> SPREADERS  
4 CUBIC FOOT  
6 CUBIC FOOT  
& 9 CUBIC FOOT**

# TABLE OF CONTENTS

	Page
<b>PARTS LIST INTRODUCTION .....</b>	<b>2</b>
<b>HOPPER FRAME - 4 CUBIC FOOT (For Serial Numbers Before 4S200000) .</b>	<b>3</b>
<b>HOPPER FRAME - 4 CUBIC FOOT (For Serial numbers After 4S200000) ....</b>	<b>5</b>
<b>HOPPER FRAME - 6 CUBIC FOOT .....</b>	<b>7</b>
<b>HOPPER FRAME - 9 CUBIC FOOT .....</b>	<b>9</b>
<b>DRIVE - 4 CUBIC FOOT (For Serial Numbers Before 4S200000) .....</b>	<b>11</b>
<b>DRIVE - 4 CUBIC FOOT (For Serial numbers After 4S200000) .....</b>	<b>13</b>
<b>DRIVE (6 CUBIC FOOT) .....</b>	<b>15</b>
<b>DRIVE (9 CUBIC FOOT) .....</b>	<b>17</b>
<b>ELECTRICAL MOTORS .....</b>	<b>19</b>
<b>NUMERICAL INDEX .....</b>	<b>20</b>
<b>NOTE: For CONTROLLER SYSTEM WIRING - See Manual 97101915 - Snow Plow and Spreader Controls for parts breakdowns and details.</b>	

# PARTS LIST INTRODUCTION

Our dealership network stands by to provide you with any assistance you may require, including genuine Sno-Way service parts. All parts should be obtained from or ordered through your dealer. Give complete information about the part as well as the Model Number and Serial Number of your machine.

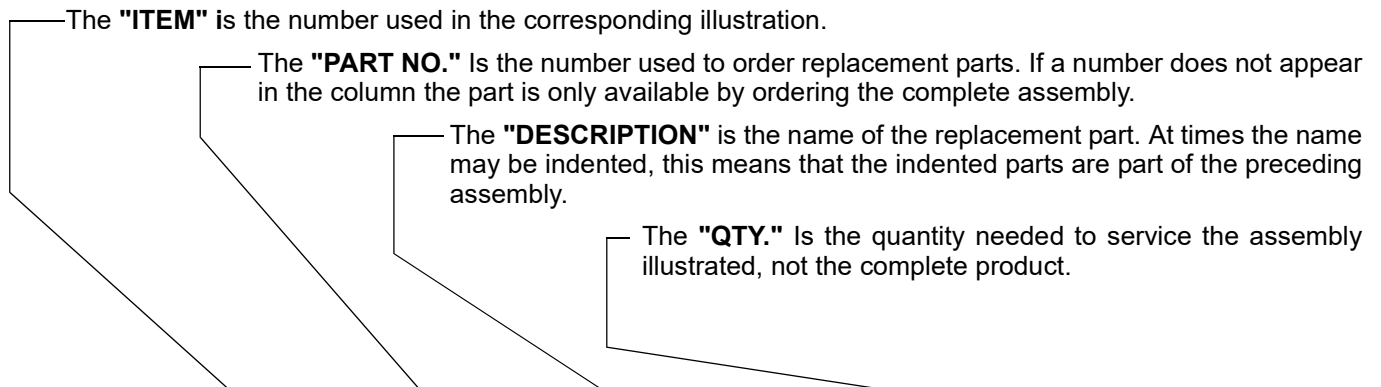
Record the Serial Number in the space provided in your Owner's Manual for quick reference. The Serial Number for the unit is on a plate located on the left frame gusset of the hopper frame.

"Right" and "Left" are determined from a position sitting on the operator's seat of the vehicle.

We reserve the right to make changes or improvements in the design or construction of any part without incurring the obligation to install such changes in any unit previously delivered.

## USING THIS PARTS LIST

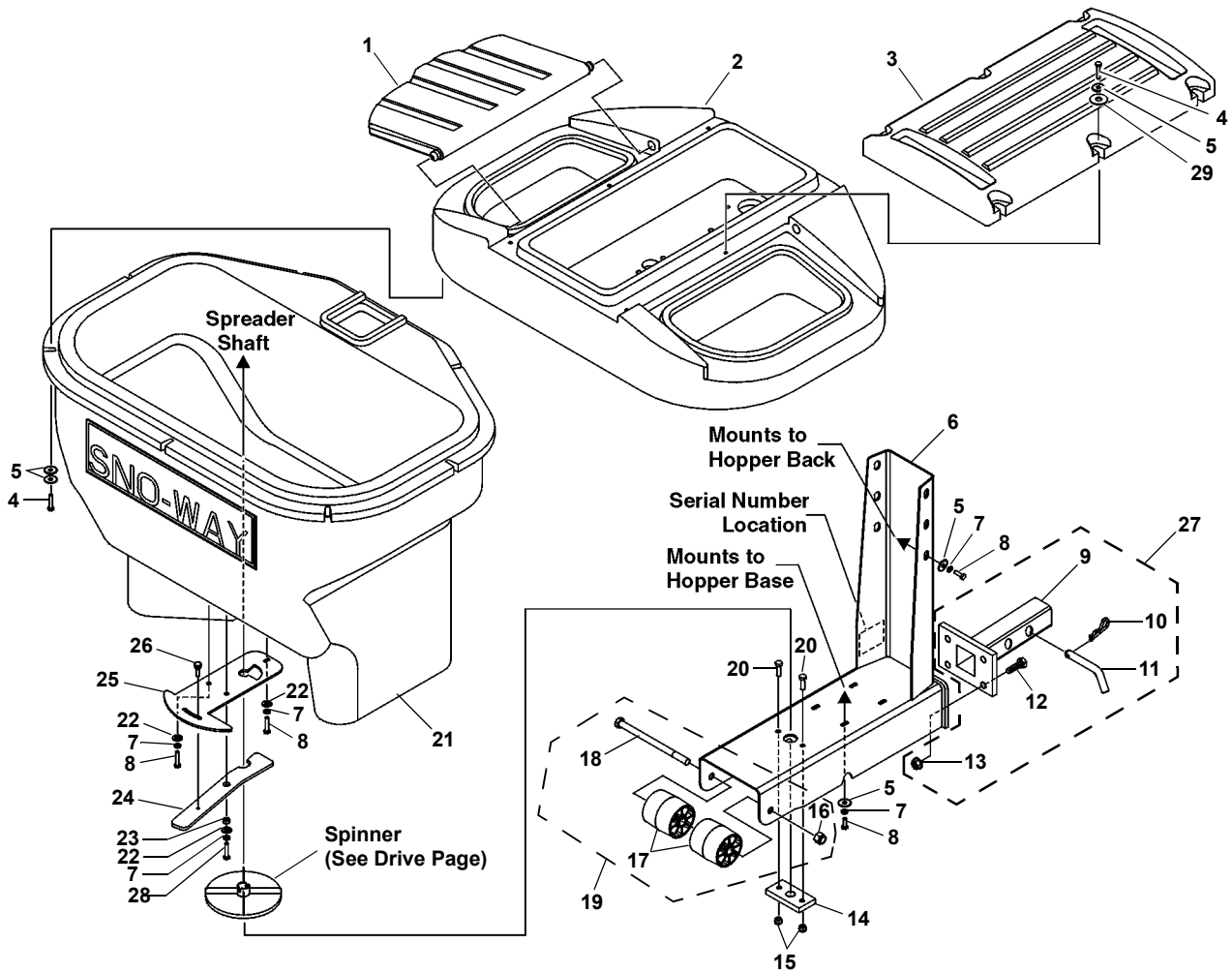
Below is parts listing with four columns. The first column is the "ITEM", the second is the "PART NUMBER", The third is the "DESCRIPTION" and the fourth is the "QUANTITY".



ITEM	PART NO.	DESCRIPTION	QTY.
1	96100083	O-ring	1
2	96001529	Elbow	3
3	98100036	Capscrew, Hex., 3/8"-16NC x 7/8"	9

# HOPPER FRAME - 4 CUBIC FOOT

For Serial Numbers Before 4S200000



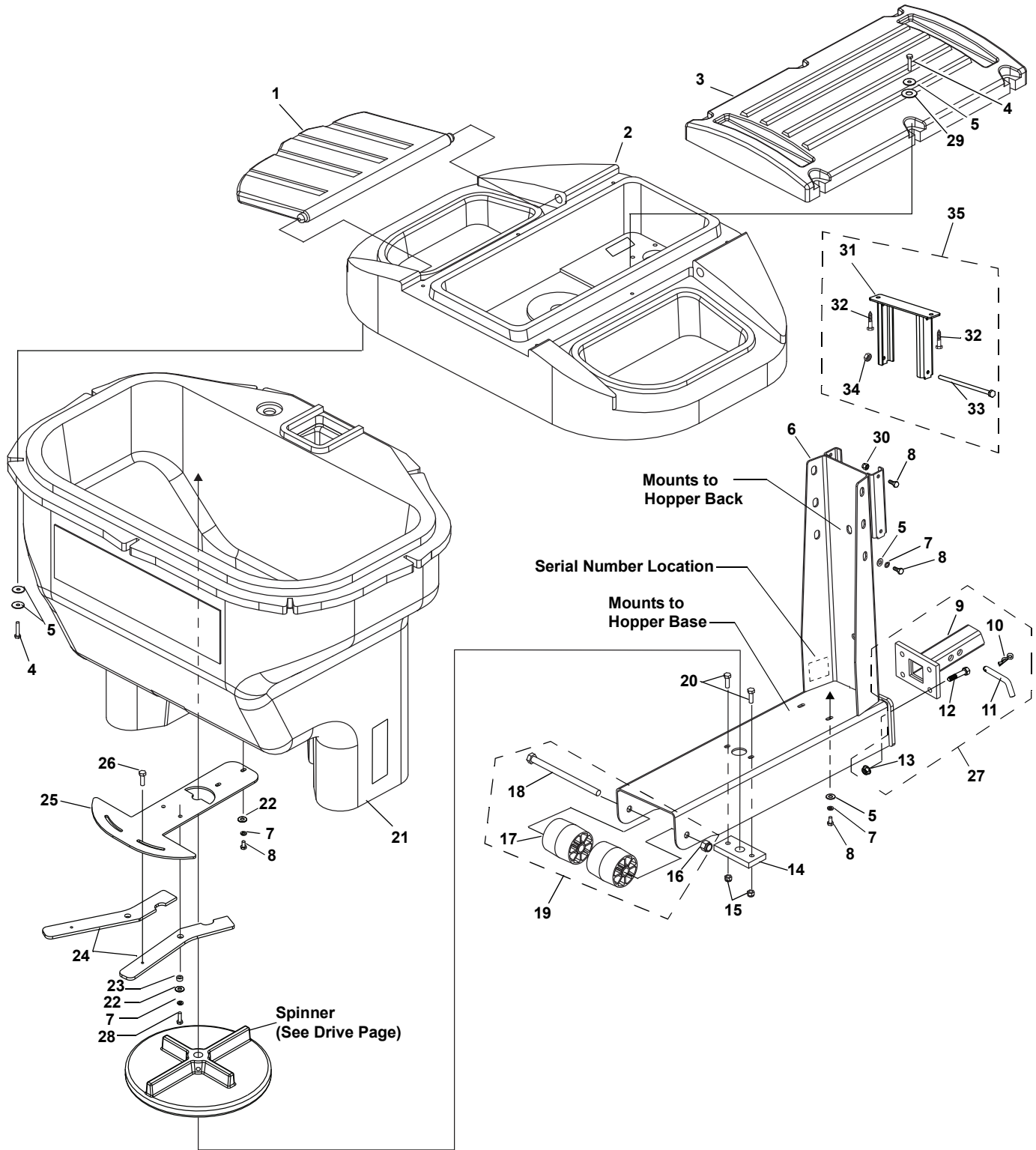
# HOPPER FRAME - 4 CUBIC FOOT

## For Serial Numbers Before 4S200000

ITEM	PART NO.	DESCRIPTION	QTY.
1	96107249	Lid, Flip .....	2
2	96116333	Platform, Motor .....	1
3	96107310	Cover, Motor .....	1
4	98100335	Capscrew, Hex Head, 1/4"-20 x 1-1/4", SS .....	13
5	98100333	Washer, Flat, 1/4", SS .....	30
6		Frame, Spreader.....	1
7	98009226	Washer, Lock, 1/4", SS.....	13
8	98100344	Cap Screw, Hex Head, 1/4"-20 x 1/2", SS.....	12
9	96105830	Hitch Tube Assembly.....	1
10	98009004	Pin, Spring .....	1
11	98100317	Pin, Bent Arm, 5/8" x 3" Hole.....	1
12	98100095	Bolt, 1/2"-13 x 1-3/4", Grade 8.....	4
13	98100349	Nut, Nylock, 1/2"- 13, SS .....	4
14	96108409	Bearing, Plastic.....	1
15	98100118	Nut, Nylock, 5/16"-18, SS .....	2
16		Nut, Nylock, 1/2"- 13, SS .....	1
17		Roller, Plastic.....	2
18		Cap Screw, Hex Head, 1/2"-13 x 7-1/2", SS.....	1
19	96114699	Kit, Roller (Includes 16, 17, 18).....	1
20	98100131	Cap Screw, Hex Head, 5/16"-18 x 1", SS.....	2
21		Hopper .....	1
22	98100122	Washer, Flat, 1/4", SS .....	3
23	96107763	Spacer, Valve Plate.....	1
24	96107736	Plate, Flow Control .....	1
25	96107735	Plate, Flow Gate .....	1
26	96106458	Thumb Screw, Nylon, 1/4"-20 x 3/4" .....	1
27	96105863	Assembly, Hitch Adaptor .....	1
28	98100343	Cap Screw, Hex Head, 1/4"-20 x 7/8", SS.....	1
29	98100347	Washer, Flat, 1/4", SS .....	6

# HOPPER FRAME - 4 CUBIC FOOT

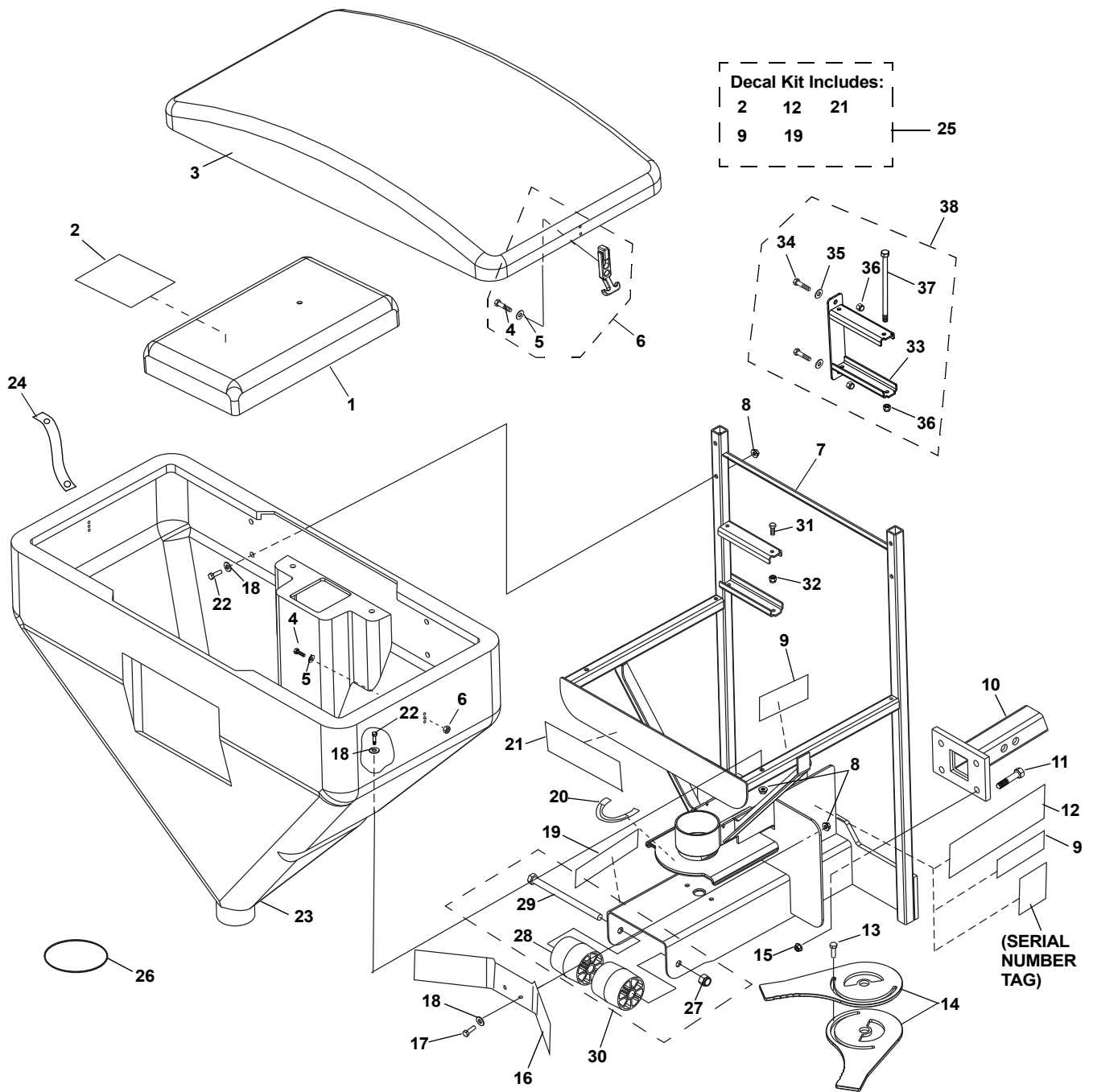
## For Serial Numbers After 4S200000



## HOPPER FRAME - 4 CUBIC FOOT For Serial Numbers After 4S200000

ITEM	PART NO.	DESCRIPTION	QTY.
1	96107249	Lid, Flip .....	2
2	96116333	Platform, Motor .....	1
3	96107310	Cover, Motor .....	1
4	98100335	Capscrew, Hex Head, 1/4"-20 x 1-1/4", SS .....	13
5	98100333	Washer, Flat, 1/4", SS .....	28
6		Frame, Spreader.....	1
7	98009226	Washer, Lock, 1/4", SS.....	12
8	98100344	Cap Screw, Hex Head, 1/4"-20 x 1/2", SS.....	11
9	96105830	Hitch Tube Assembly.....	1
10	98009004	Pin, Spring .....	1
11	98100317	Pin, Bent Arm, 5/8" x 3" Hole.....	1
12	98100095	Bolt, 1/2"-13 x 1-3/4", Grade 8.....	4
13	98100349	Nut, Nylock, 1/2"- 13, SS .....	4
14	96108409	Bearing, Plastic.....	1
15	98100118	Nut, Nylock, 5/16"-18, SS .....	2
16		Nut, Nylock, 1/2"- 13, SS .....	1
17		Roller, Plastic.....	2
18		Cap Screw, Hex Head, 1/2"-13 x 7-1/2", SS.....	1
19	96114699	Kit, Roller (Includes 16, 17, 18).....	1
20	98100111	Cap Screw, Hex Head, 5/16"-18 x 1-1/4", SS.....	2
21		Hopper .....	1
22	98100122	Washer, Flat, 1/4", SS .....	3
23	96107763	Spacer, Valve Plate.....	1
24	96113268	Plate, Flow Control .....	2
25	96113267	Plate, Flow Gate .....	1
26	96106458	Thumb Screw, Nylon, 1/4"-20 x 3/4" .....	2
27	96105863	Assembly, Hitch Adaptor .....	1
28	98100343	Cap Screw, Hex Head, 1/4"-20 x 7/8", SS.....	1
29	98100347	Washer, Flat, 1/4", SS .....	6
30	98100336	Nut, Nylock, 1/4"-20, Nylon Insert, 18-8 SS.....	1
31	96106208	Bracket .....	1
32	98100386	Self-Tapping Screw, Hex Washer Head, 5/16" x 1-1/4" TEK3 .....	2
33	98100266	Cap Screw, Hex Head, 1/4"-20 x 6".....	1
34	98100255	Nut, Nylock, 1/4"-20.....	1
35	96118300	Kit, Receiver Bracket (Includes 31-34).....	1

# HOPPER FRAME (6 CUBIC FOOT)





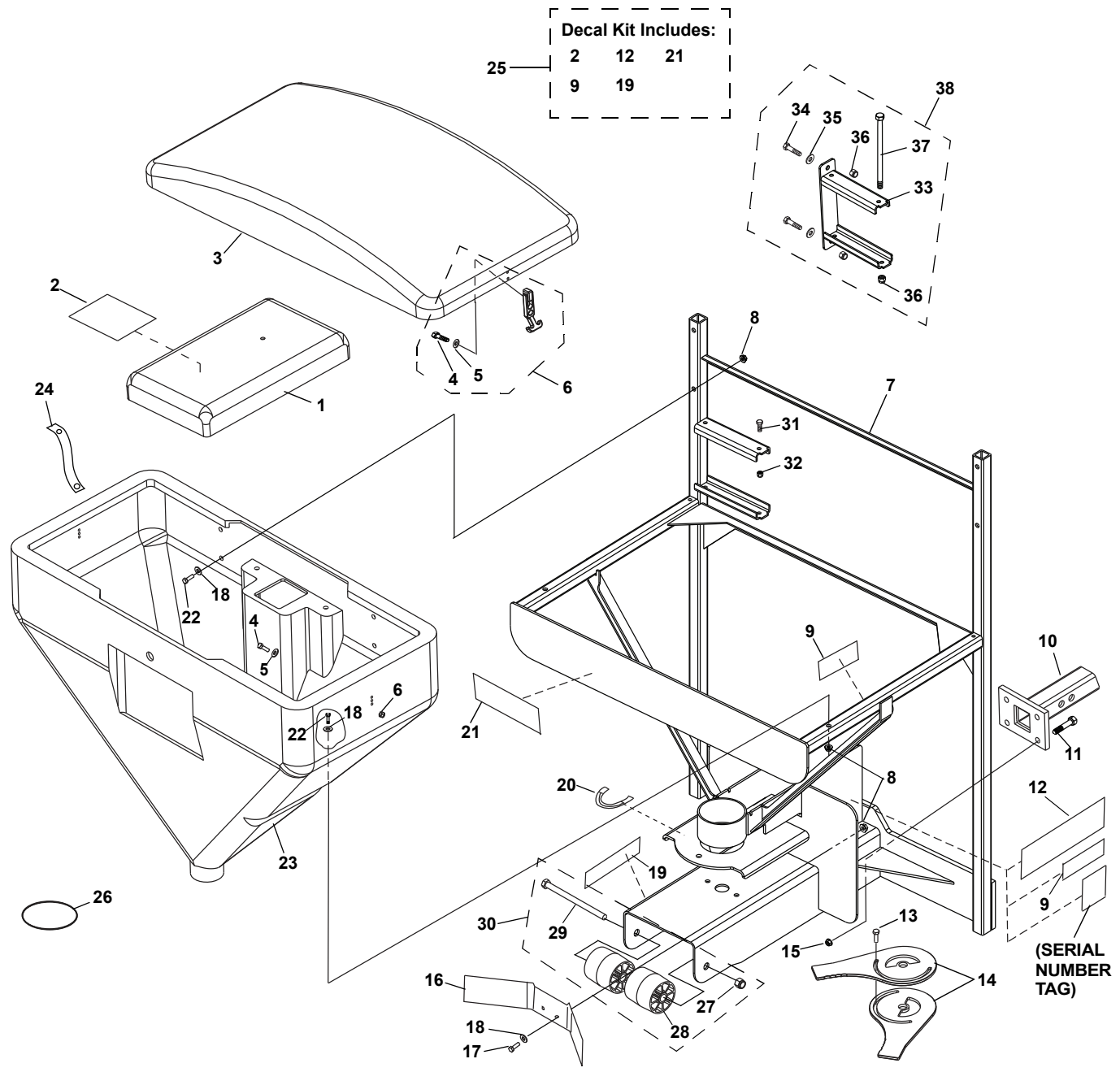
# HOPPER FRAME (6 CUBIC FOOT)

ITEM	PART NO.	DESCRIPTION	QTY.
1	96104701	Center Cover, 6 cu. ft. Spreader.....	1
2		Decal, Warning.....	1
3	96105442	Outer Cover, Spreader .....	1
4		Screw, Pan Head #10-24 x 3/4" SS .....	6
5		Washer, Flat, #10 SS .....	6
6	96114700	Kit, Latch Spreader (Includes 4, 5, 6).....	2
7		Frame, Hitch Mount (SN 5S101001 & later) .....	1
		Frame, Hitch Mount (SN 5S100000 - 5S101000) .....	1
8	98100118	Nut, Nylock 5/16"-18 SS.....	8
9		Decal, Warning, GVWR, GAWR, GTW .....	2
10	96105830	Hitch Adapter Assembly.....	1
11	98100095	Bolt, 1/2"-13 x 1-3/4" Grade 8 .....	4
12	97100550	Decal, Warning.....	2
13	96106458	Thumbscrew, 1/4"-20 x 3/4", Black Nylon (SN 5S00000 To 6S199999) .....	1
	96112895	Knob, Valve Spreader (SN 6S120500 & later) .....	1
14	96107273	Plate, Flow Gate (Two paddle system 5-3/4") (SN 6S100000 - 6S199999).....	2
	96105659	Plate, Flow Gate (One paddle system 3-1/2") (SN 5S100000 - 5S101000).....	1
	96112896	Plate, Gate, Slotted (SN 6S200000 & later).....	2
15	98009013	Nut, Nylock 1/2"-13 .....	4
16	96112071	Deflector, Plate (SN 5S101001 & later).....	1
17	98100131	Cap Screw, Hex Head 5/16"-18 x 1" SS .....	2
18	98100123	Washer, Flat 5/16" SS .....	8
19		Decal, Warning.....	2
20	97100794	Decal, ON/OFF Flow Control (SN 5S100000 - 5S101000).....	1
21		Decal, Sno-Way .....	1
22	98100115	Cap Screw, Hex Head 5/16"-18 x 1-3/4" .....	6
23		Hopper .....	1
24	96107220	Strap, Lid.....	1
25	96105794	Kit, Decal (Includes items 2, 9, 12, 19, 21) .....	1
26	96107831	Ring, Support, 6 Cu. Ft. ....	1
27		Nut, Nylock, 1/2"-13, SS.....	1
28		Roller, Plastic .....	2
29		Bolt, 1/2"-13 x 7-1/2", SS .....	1
30	96114699	Kit, Wheel Spreader (Includes 27, 28, 29) .....	1
31	98100344	Cap Screw, Hex Head, 1/4"-20 x 1/2", SS .....	1
32	98100336	Nut, Nylock, 1/4"-20, Nylon Insert, 18-8 SS .....	1
33	96106208	Bracket .....	1
34	98100337	Cap Screw, Hex Head, 1/4"-20 x 1-3/4" .....	2
35	98100254	Washer, 1/4" .....	2
36	98100255	Nut, Nylock, 1/4"-20 .....	3
37	98100266	Cap Screw, Hex Head, 1/4"-20 x 6" .....	1
38	96118300	Kit, Receiver Bracket (Includes 33-37).....	1

# HOPPER FRAME (9 CUBIC FOOT)

Decal Kit Includes:

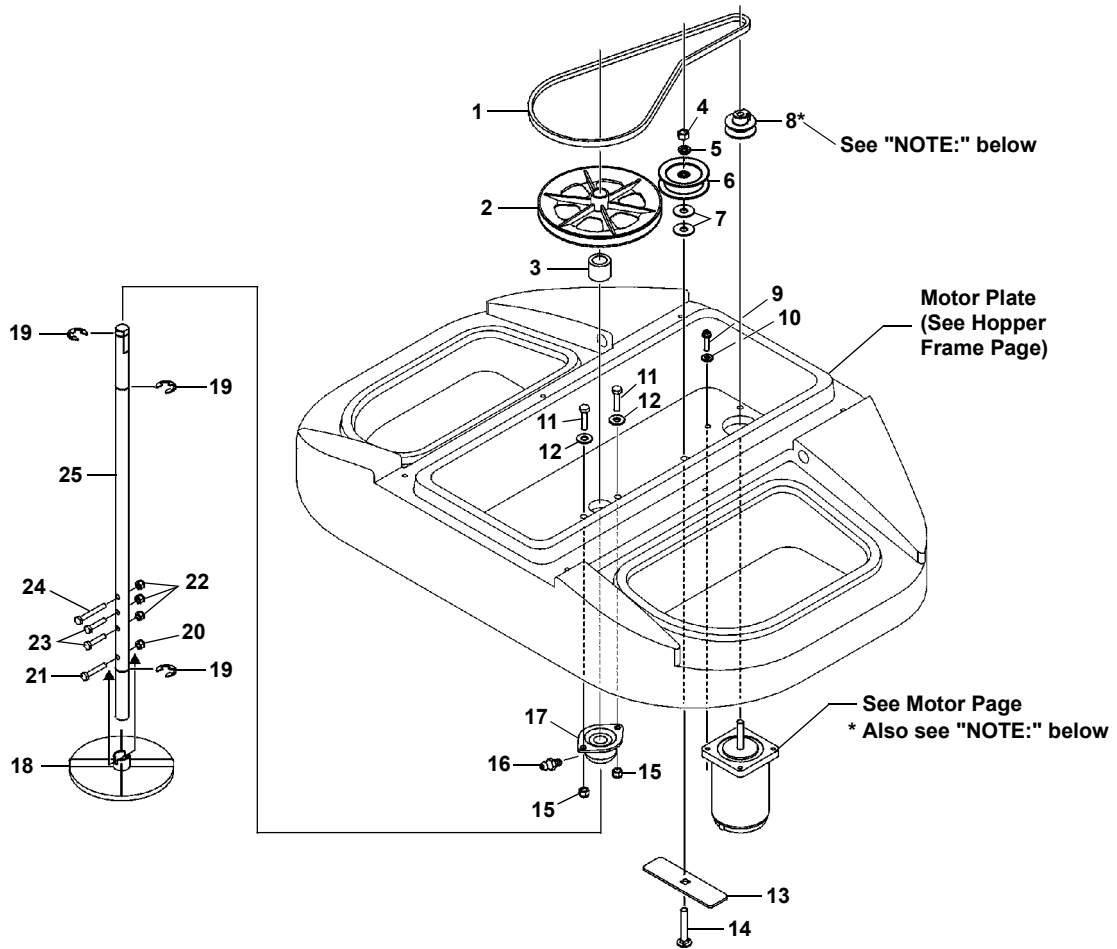
2	12	21
9	19	



## HOPPER FRAME (9 CUBIC FOOT)

ITEM	PART NO.	DESCRIPTION	QTY.
1	96114702	Center Cover, 9 Cu. Ft. Spreader.....	1
2		Decal, Warning.....	1
3	96106128	Outer Cover, Spreader .....	1
4		Screw, Pan Head #10-24 x 3/4" SS.....	6
5		Washer, Flat #10 SS.....	6
6	96114700	Kit, Latch Spreader (Includes 4, 5, 6).....	2
7		Frame, Hitch Mount (SN 9S100501 & later).....	1
		Frame, Hitch Mount (SN 9S100000 - 9S100500) .....	1
8	98100118	Nut, Nylock 5/16"-18 SS.....	8
9		Decal, Warning, GVWR, GAWR, GTW.....	2
10	96105830	Hitch Adapter Assembly .....	1
11	98100095	Bolt, 1/2"-13 x 1-3/4" Grade 8 .....	4
12		Decal, Warning .....	2
13	96106458	Thumbscrew, 1/4"-20 x 3/4", Black Nylon .....	1
	96112895	Knob, Valve Spreaders (SN 9S120500 & later).....	1
14	96107273	Plate, Flow Gate (Two paddle system 5-3/4") (SN 9S100000 - 9S199999).....	2
	96106134	Plate, Flow Gate (One paddle system 4-3/4") (SN 9S100000 - 9S100500).....	1
	96112896	Plate, Gate, Slotted (SN 9S200000 & later).....	2
15	98009013	Nut, Nylock 1/2"-13.....	4
16	96112071	Deflector, Plate .....	1
17	98100131	Capscrew, Hex head 5/16"-18 x 1" SS.....	2
18	98100123	Washer, Flat 5/16" SS .....	8
19		Decal, Warning .....	2
20		Decal, ON/OFF Flow Control (SN 9S100000 - 9S100500).....	1
21		Decal, Sno-Way .....	1
22	98100115	Capscrew, Hex Head, 5/16"-18 x 1-3/4".....	6
23		Hopper (SN 9S100501 & later) .....	1
		Hopper (SN 9S100000 - 9S100500) .....	1
24	96107220	Strap, Lid .....	1
25	96105794	Kit, Decal (Includes items 2, 9, 12, 19, 21).....	1
26	96107830	Ring, Support, 9 Cu. Ft.....	1
27		Nut, Nylock, 1/2"-13, SS.....	1
28		Roller, Plastic.....	2
29		Bolt, 1/2"-13 x 7-1/2", SS.....	1
30	96114699	Kit, Wheel Spreader (Includes 27, 28, 29).....	1
31	98100344	Cap Screw, Hex Head, 1/4"-20 x 1/2", SS.....	1
32	98100336	Nut, Nylock, 1/4"-20, Nylon Insert, 18-8 SS .....	1
33	96106208	Bracket .....	1
34	98100337	Cap Screw, Hex Head, 1/4"-20 x 1-3/4" .....	2
35	98100254	Washer, 1/4" .....	2
36	98100255	Nut, Nylock, 1/4"-20.....	3
37	98100266	Cap Screw, Hex Head, 1/4"-20 x 6" .....	1
38	96118300	Kit, Receiver Bracket (Includes 33-37).....	1

# DRIVE - 4 CUBIC FOOT For Serial Numbers Before 4S200000



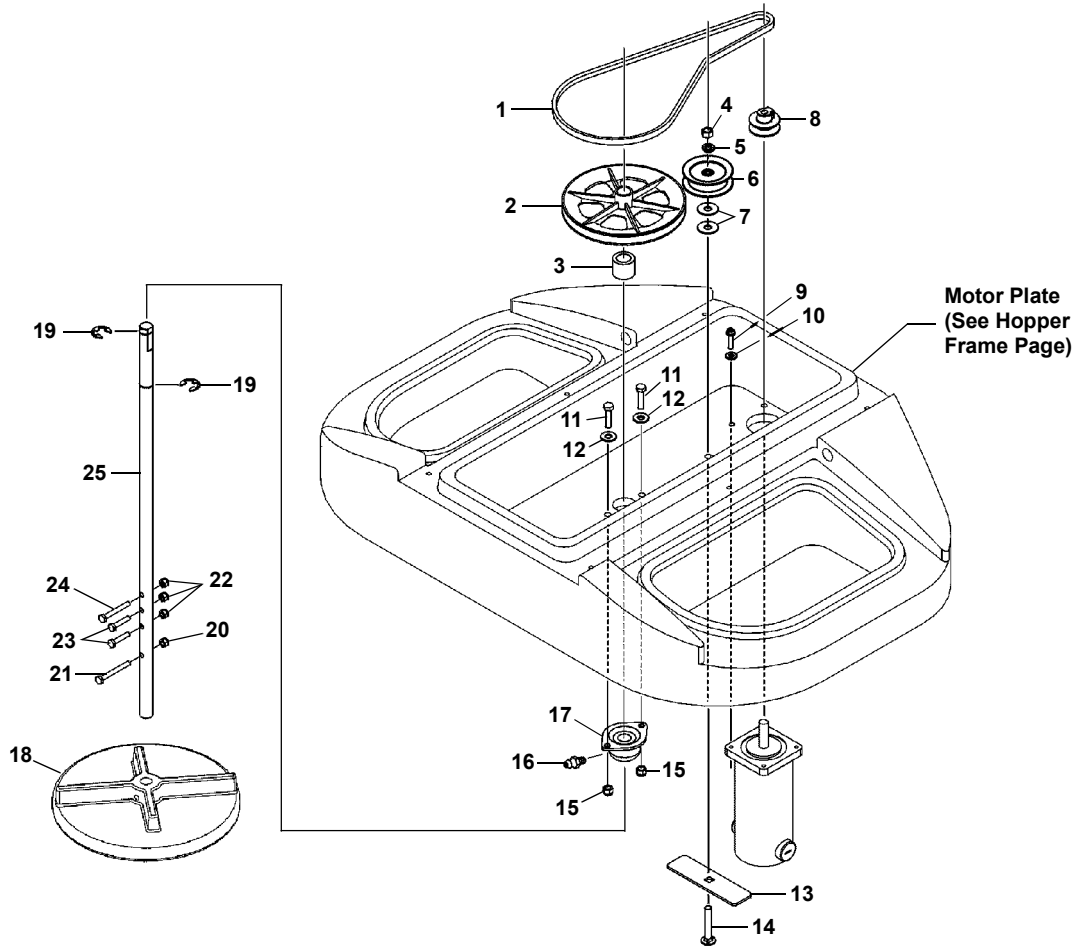
\*NOTE: If you order a new motor be certain to also order a new sheave (Key #8).

## DRIVE - 4 CUBIC FOOT

### For Serial Numbers Before 4S200000

ITEM	PART NO.	DESCRIPTION	QTY.
1	96107237	V-Belt, 37" O.C. ....	1
2	96107072	Sheave, V-Belt, 7" O.D. ....	1
3	96107183	Spacer, Spreader Shaft.....	1
4	98100120	Nut, Hex, 3/8"-16, SS .....	1
5	98100125	Washer, Lock, 3/8", SS.....	1
6	96108572	Pulley, 4" Idler.....	1
7	98100350	Washer, Flat, 3/8", ZD .....	2
8	96107363	Sheave, V-Belt, 1-3/4" O.D.....	1
9	98100139	Cap Screw, 1/4"-20 x 1", Type F.....	4
10	98009029	Washer, Flat, 1/4", Type A, Narrow .....	4
11	98100111	Cap Screw, Hex Head, 5/16"-18 x 1-1/4", SS.....	2
12	98100123	Washer, Flat, 5/16", SS .....	2
13	96107362	Plate, Tensioner Support .....	1
14	98100128	Bolt, Carriage, 3/8"-16 x 2-1/4", SS .....	1
15	98100118	Nut, Nylock, 5/16"-18, SS .....	2
16	96108360	Kit, Zerk (2 Zerks in kit) .....	1
17	96107287	Bearing, Flange Mount .....	1
18	96107079	Spinner, 6 Inch.....	1
19	98100312	E-Ring, 3/4" .....	3
20	98100336	Nut, Nylock, 1/4"-20, SS .....	1
21	98100127	Cap Screw, Hex Head, 1/4"-20 x 1-1/2", SS.....	1
22	98100255	Nut, Nylock, 1/4"-20.....	3
23	98100253	Cap Screw, Hex Head, 1/4"-20 x 1-1/4" .....	2
24	98100299	Cap Screw, Hex Head, 1/4"-20 x 2".....	1
25	96107071	Shaft, Spreader (no hardware) .....	1

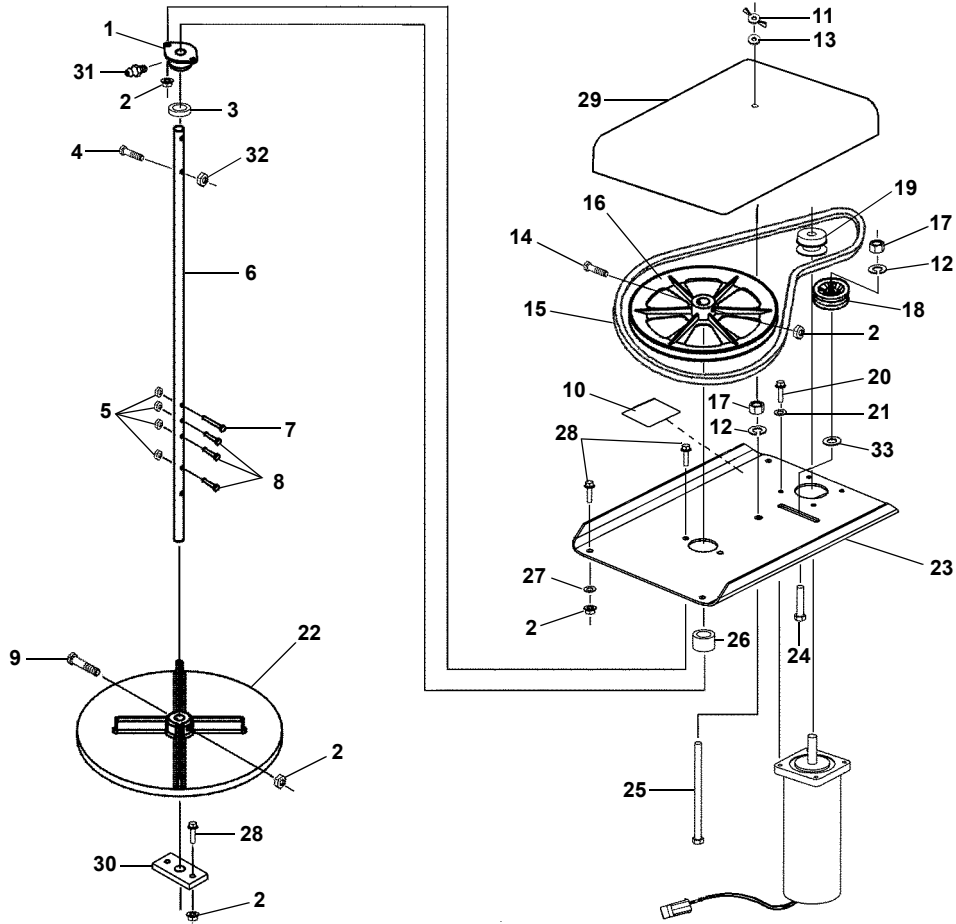
# DRIVE - 4 CUBIC FOOT For Serial Numbers After 4S200000



## DRIVE - 4 CUBIC FOOT For Serial Numbers After 4S200000

ITEM	PART NO.	DESCRIPTION	QTY.
1	96107237	V-Belt, 37" O.C. ....	1
2	96107072	Sheave, V-Belt, 7" O.D. ....	1
3	96107183	Spacer, Spreader Shaft.....	1
4	98100120	Nut, Hex, 3/8"-16, SS .....	1
5	98100125	Washer, Lock, 3/8", SS.....	1
6	96108572	Pulley, 4" Idler.....	1
7	98100350	Washer, Flat, 3/8", ZD .....	2
8	96107363	Sheave, V-Belt, 1-3/4" O.D.....	1
9	98100139	Cap Screw, 1/4"-20 x 1", Type F.....	4
10	98009029	Washer, Flat, 1/4", Type A, Narrow .....	4
11	98100111	Cap Screw, Hex Head, 5/16"-18 x 1-1/4", SS.....	2
12	98100123	Washer, Flat, 5/16", SS .....	2
13	96107362	Plate, Tensioner Support .....	1
14	98100128	Bolt, Carriage, 3/8"-16 x 2-1/4", SS .....	1
15	98100118	Nut, Nylock, 5/16"-18, SS .....	2
16	96108360	Kit, Zerk (2 Zerks in kit) .....	1
17	96107287	Bearing, Flange Mount .....	1
18	96105395	Spinner, 12 Inch.....	1
19	98100312	E-Ring, 3/4" .....	2
20	98100118	Nut, Nylock, 5/16"-18, SS .....	1
21	98100281	Cap Screw, Hex Head, 5/16"-18 x 2-1/2", SS.....	1
22	98100255	Nut, Nylock, 1/4"-20.....	3
23	98100253	Cap Screw, Hex Head, 1/4"-20 x 1-1/4" .....	2
24	98100299	Cap Screw, Hex Head, 1/4"-20 x 2".....	1
25	96113270	Shaft, Spreader (no hardware) .....	1

# DRIVE (6 CUBIC FOOT)





## DRIVE (6 CUBIC FOOT)

ITEM	PART NO.	DESCRIPTION	QTY.
1	96107287	Bearing, Flange Mount.....	1
2	98100118	Nut, Nylock, 5/16"-18 SS.....	10
3	98100631	Washer, 13/16" ID, 1-3/4" OD, 18-8 SS .....	1
4	98100335	Cap Screw, Hex Head, 1/4"-20 x 1-1/4", 18-8 SS .....	1
5	98100255	Nut, Nylock, 1/4"-20 .....	4
6	96107305	Shaft, Spreader (no hardware) (SN 5S101001 & later).....	1
	96105378	Shaft, Spreader (no hardware) (SN 5S100000 - 5S101000) .....	1
7	98100337	Capscrew, Hex Head, 1/4"-20 x 1-3/4".....	1
8	98100253	Capscrew, Hex Head, 1/4"-20 x 1-1/4".....	3
9	98100281	Bolt, 5/16"-18 x 2-1/2" SS .....	1
10		Decal, Warning .....	1
11	98100284	Nut, Wing, 3/8"-16 .....	1
12	98100125	Washer, Lock, 3/8" SS .....	2
13	98100124	Washer, Flat, 3/8" SS .....	2
14	98100131	Cap Screw, Hex Head, 5/16"-18 x 1-1/4" SS .....	1
15	96105791	V-Belt, 39" (SN 5S100000 - 6S199999).....	1
	96112900	Belt, AX33 (1/2" x 35") (SN 6S200000 & later) .....	1
16	96102026	Sheave, 9" (SN 5S100000 - 6S199999) .....	1
	96107072	Sheave, 7" OD, 3/4" ID (SN 6S200000 & later) .....	1
17	98100120	Nut, Hex, 3/8"-16 SS .....	2
18	96102034	Pulley, Idler, 2".....	1
19	96102016	Sheave, V-Belt, 1-1/2" .....	1
20	98100139	Screw, Self-Tapping, 1/4"-20 x 1" .....	4
21	98009226	Washer, Lock, 1/4" SS .....	4
22	96105395	Spinner, 12" .....	1
23	96116330	Plate, Motor.....	1
24	98100128	Bolt, Carriage, 3/8"-16 x 2-1/4", SS.....	1
25	98100283	Capscrew, 3/8"-16 x 4", Full Thread.....	1
26	96102025	Spacer .....	1
27	98100123	Washer, Flat, 5/16" SS .....	4
28	98100111	Cap Screw, Hex Head, 5/16"-18 x 1-1/4", SS .....	8
29	96114701	Cover, Center, 6 cu. ft. ....	1
30	96108409	Bearing, Plastic .....	1
31	96108360	Kit, Zerk (2 Zerks in Kit) .....	1
32	98100336	Nut, Nylock, 1/4"-20, Nylon Insert, 18-8 SS .....	1
33	98100347	Washer, Flat, 1/2" SS .....	1



## DRIVE (9 CUBIC FOOT)

ITEM	PART NO.	DESCRIPTION	QTY.
1	96107287	Bearing, Flange Mount.....	1
2	98100118	Nut, Nylock, 5/16"-18 SS.....	10
3	98100631	Washer, 13/16" ID, 1-3/4" OD, 18-8 SS .....	1
4	98100299	Capscrew, Hex Head, 1/4"-20 x 2" (SN 9S100501 & later).....	1
	98100299	Capscrew, Hex Head, 1/4"-20 x 2" (SN 9S100000 - 9S100500).....	4
5	98100255	Nut, Nylock, 1/4"-20 .....	4
6	96107306	Shaft, Spreader (no hardware) (SN 9S100501 & later) .....	1
	96106129	Shaft, Spreader (no hardware) (SN 9S100000 - 9S100500) .....	1
7	96114702	Cover, Center, 9 cu. ft.....	1
8	98100281	Bolt, 5/16"-18 x 2-1/2" SS.....	1
9	97100700	Decal, Warning .....	2
10	98100335	Cap Screw, Hex Head, 1/4"-20 x 1-1/4", 18-8 SS .....	1
11	98100284	Nut, Wing, 3/8"-16 .....	1
12	98100125	Washer, Lock, 3/8" SS.....	2
13	98100127	Washer, Flat, 3/8" SS .....	2
14	98100131	Cap Screw, Hex Head, 5/16"-18 x 1-1/4" SS .....	1
15	96105791	V-Belt, 39" (SN 9S100000 - 9S199999).....	1
	96112900	Belt, AX33 (1/2" x 35") (SN 9S20000 & later) .....	1
16	96102026	Sheave, 9" (SN 9S100000 - 9S199999) .....	1
	96107072	Sheave, 7" OD, 3/4" ID, WSSC, No Keyway (SN 9S200000 & later) .....	1
17	98100120	Nut, Hex, 3/8"-16 SS .....	2
18	96102034	Pulley, Idler, 2".....	1
19	96102016	Sheave, V-Belt, 1-1/2" .....	1
20	98100139	Screw, Self-Tapping, 1/4"-20 x 1" .....	4
21	98009226	Washer, Lock, 1/4" SS.....	4
22	96105395	Spinner, 12" (SN 9S100501 & later).....	1
	96106135	Spinner, 16" (SN 9S100000 - 9S100500).....	1
23	96106327	Plate, Motor .....	1
24	98100128	Bolt, Carriage, 3/8"-16 x 2-1/4" SS.....	1
25	98100283	Capscrew, 3/8"-16 x 4", Full Thread.....	1
26	96102025	Spacer .....	1
27	98100123	Washer, Flat, 5/16" SS .....	4
28	98100111	Capscrew, Hex Head, 5/16"-18 x 1-1/4", SS .....	8
29	98100253	Capscrew, Hex Head, 1/4"-20 x 1-1/4" (SN 9S100501 & later).....	2
30	98100337	Capscrew, Hex Head, 1/4"-20 x 1-3/4" (SN 9S100501 & later).....	1
31	96108409	Bearing, Plastic .....	1
32	96108360	Kit, Zerk (2 Zerks in Kit).....	1
33	98100336	Nut, Nylock, 1/4"-20, Nylon Insert, 18-8 SS .....	1
34	98100347	Washer, Flat, 3/8" SS .....	1

# ELECTRICAL MOTOR

Motor - Type A



1, 2

Motor - Type B



1, 3

Motor - Type C



1, 4

ITEM	PART NO.	DESCRIPTION	QTY
1	96113295	Motor - Type A, B or C.....	1
2	96105922	Brush Card Kit - Motor Type A .....	1
3	96113372	Brush Kit - Motor Type B .....	1
4	96114609	Brush Kit - Motor Type C .....	1

NOTE: For serial numbers before 4S200000 on 4 cubic foot spreaders, order motor sheave #96107363.

# NUMERICAL INDEX

PART NO.	PAGE	ITEM	PART NO.	PAGE	ITEM	PART NO.	PAGE	ITEM
96102016	16	19	96107273	8	14	96114702	10	1
	18	19		10	14		18	7
96102025	16	26	96107287	12	17	96116330	16	23
	18	26		14	17	96116333	4	2
96102026	16	16		16	1		6	2
	18	16		18	1	96118300	6	35
96102034	16	18	96107305	16	6		8	38
	18	18	96107306	18	6		10	38
96104701	8	1	96107310	4	3	97100550	8	12
96105378	16	6		6	3	97100700	18	9
96105395	14	18	96107362	12	13	97100794	8	20
	16	22		14	13	98009004	4	10
	18	22	96107363	12	8		6	10
96105442	8	3		14	8	98009013	8	15
96105659	8	14	96107735	4	25		10	15
96105791	16	15	96107736	4	24	98009029	12	10
	18	15	96107763	4	23		14	10
96105794	8	25		6	23	98009226	4	7
	10	25	96107830	10	26		6	7
96105830	4	9	96107831	8	26		16	21
	6	9	96108360	12	16		18	21
	8	10		14	16	98100095	4	12
	10	10		16	31		6	12
96105863	4	27		18	32		8	11
	6	27	96108409	4	14		10	11
96105922	19	2		6	14	98100111	6	20
96106128	10	3		16	30		12	11
96106129	18	6		18	31		14	11
96106134	10	14	96108572	12	6		16	28
96106135	18	22		14	6		18	28
96106208	6	31	96112071	8	16	98100115	8	22
	8	33		10	16		10	22
	10	33	96112895	8	13	98100118	4	15
96106327	18	23		10	13		6	15
96106458	4	26	96112896	8	14		8	8
	6	26		10	14		10	8
	8	13	96112900	16	15		12	15
	10	13		18	15		14	15
96107071	12	25	96113267	6	25		14	20
96107072	12	2	96113268	6	24		16	2
	14	2	96113270	14	25		18	2
	16	16	96113295	19	1	98100120	12	4
	18	16	96113372	19	3		14	4
96107079	12	18	96114609	19	4		16	17
96107183	12	3	96114699	4	19		18	17
	14	3		6	19	98100122	4	22
96107220	8	24		8	30		6	22
	10	24		10	30			
96107237	12	1	96114700	8	6			
	14	1		10	6			
96107249	4	1	96114701	16	29			
	6	1						

# NUMERICAL INDEX

PART NO.	PAGE	ITEM	PART NO.	PAGE	ITEM	PART NO.	PAGE	ITEM
98100123	8	18	98100299	12	24			
	10	18		14	24			
	12	12		18	4			
	14	12	98100312	12	19			
	16	27		14	19			
	18	27	98100317	4	11			
98100124	16	13		6	11			
98100125	12	5						
	14	5	98100333	4	5			
	16	12		6	5			
	18	12	98100335	4	4			
98100127	12	21		6	4			
	18	13		16	4			
98100128	12	14		18	10			
	14	14	98100336	6	30			
	16	24		8	32			
	18	24		10	32			
98100131	4	20		12	20			
	8	17		16	32			
	10	17		18	33			
	16	14	98100337	8	34			
	18	14		10	34			
98100139	12	9		16	7			
	14	9		18	30			
	16	20	98100343	4	28			
	18	20		6	28			
98100253	12	23	98100344	4	8			
	14	23		6	8			
	16	8		8	31			
	18	29		10	31			
98100254	8	35	98100347	4	29			
	10	35		6	29			
98100255	6	34		16	33			
	8	36		18	34			
	10	36	98100349	4	13			
	12	22		6	13			
	14	22	98100350	12	7			
	16	5		14	7			
	18	5	98100386	6	32			
98100266	6	33	98100631	16	3			
	8	37		18	3			
	10	37						
98100281	14	21						
	16	9						
	18	8						
98100283	16	25						
	18	25						
98100284	16	11						
	18	11						

# NOTES

---

**SNO-WAY<sup>®</sup> INTERNATIONAL, INC.**



Hartford, WI 53027 USA  
Website: [www.snoway.com](http://www.snoway.com)  
©2024 Sno-Way<sup>®</sup> International