

# **SNO-WAY**®

***SNOW & ICE CONTROL EQUIPMENT***

## **SERVICE PARTS MANUAL**

### **SWS 30 & 30 Gallon Auxiliary Tank**

**PART NUMBERS:  
99101218 & 99101219**

Sno-Way® is a registered trademark of Sno-Way International, Inc.

©2017 Sno-Way® International

97102001B

# TABLE OF CONTENTS

	Page
PARTS LIST INTRODUCTION .....	2
SWS 30 .....	3
NUMERICAL INDEX .....	5

# PARTS LIST INTRODUCTION

Our dealership network stands by to provide you with any assistance you may require, including genuine Sno-Way service parts. All parts should be obtained from or ordered through your dealer. Give complete information about the part as well as the Model Number and Serial Number of your machine.

Record the Serial Number in the space provided in your Owner's Manual for quick reference. The Serial Number for the unit is on a plate located on the left frame gusset of the Hopper Frame.

"Right" and "Left" are determined from a position sitting on the Operators Seat of the vehicle.

We reserve the right to make changes or improvements in the design or construction of any part without incurring the obligation to install such changes in any unit previously delivered.

## USING THIS PARTS LIST

Below is parts listing with four columns. The first column is the "ITEM", the second is the "PART NUMBER", The third is the "DESCRIPTION" and the fourth is the "QUANTITY".

The "**ITEM**" is the number used in the corresponding illustration.

The "**PART NO.**" Is the number used to order replacement parts. If a number does not appear in the column the part is only available by ordering the complete assembly.

The "**DESCRIPTION**" is the name of the replacement part. At times the name may be indented, this means that the indented parts are part of the preceding assembly.

The "**QTY.**" Is the quantity needed to service the assembly illustrated, not the complete product.

ITEM	PART NO.	DESCRIPTION	QTY.
1	96100083	O-ring	1
2	96001529	Elbow	3
3	98100036	Capscrew, Hex.,3/8"-16NC x 7/8"	9

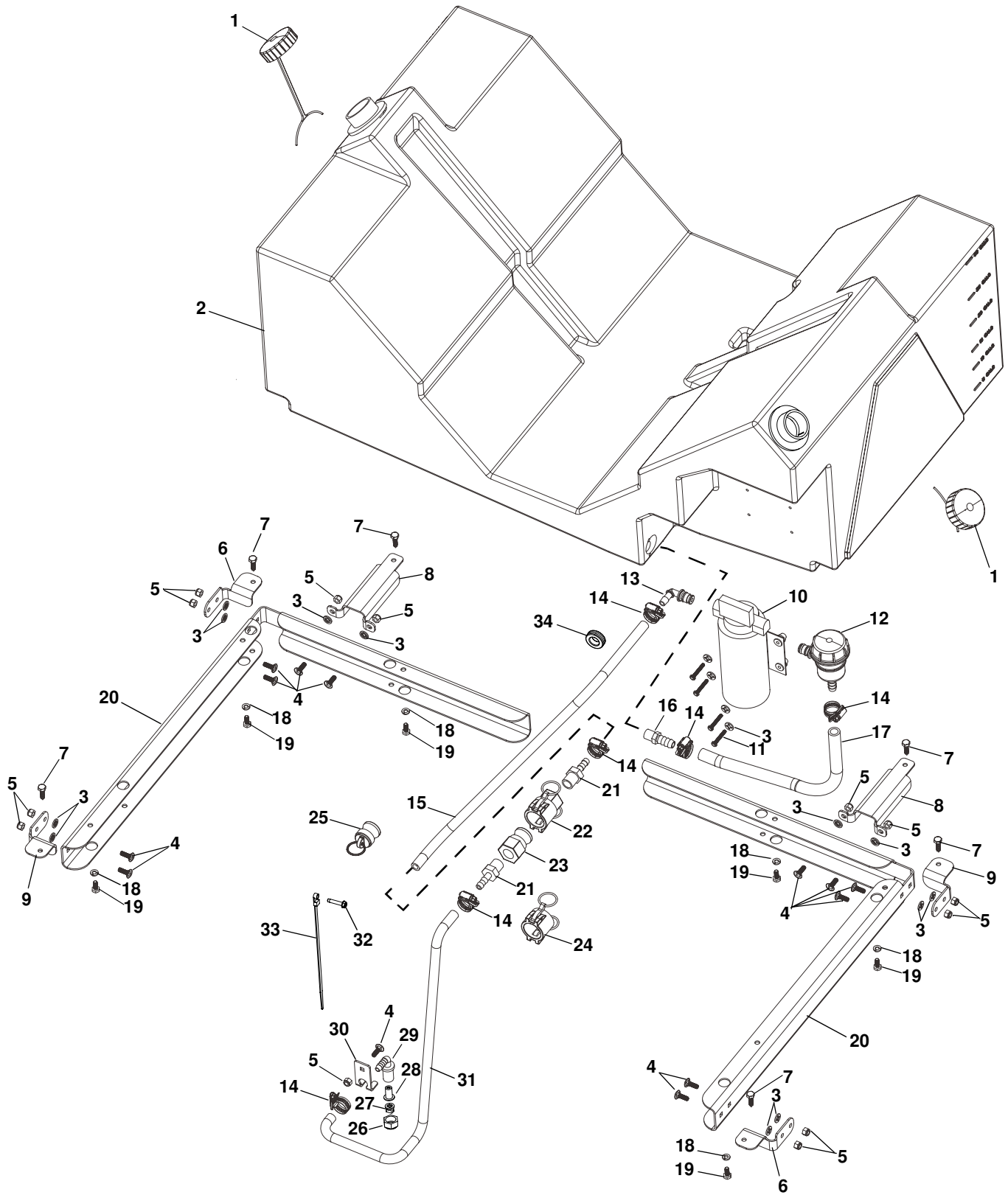
## PART DESCRIPTION ABBREVIATIONS

Our Part Descriptions use common industry standard abbreviations in the naming conventions for many individual items. The list below details the abbreviations commonly used throughout this manual. If a specific abbreviation is not listed, contact any Sno-Way Dealer for clarification.

ABBREV.	DESCRIPTION
BRKT	Bracket
CB	Carriage Bolt
CLP	Clevis Pin
COTP	Cotter Pin
DP	Down Pressure
DS	Driver Side
EB	Eye Bolt
GR	Grade
HDWE	Hardware
HHCS	Hex Head Cap Screw
HN	Hex Nut
HNILN	Hex Nylon Insert Lock Nut

ABBREV.	DESCRIPTION
HW	Hard Wired
HWH	Hex Washer Head
LN	Lock Nut
LW	Helical Lock Washer
PS	Passenger Side
PW	Plain Flat Washer
SHCS	Socket Head Cap Screw
SLT	Slotted
SS	Stainless Steel
ST	Self-Threading
UB	U-Bolt
WL	Wireless

# SWS 30

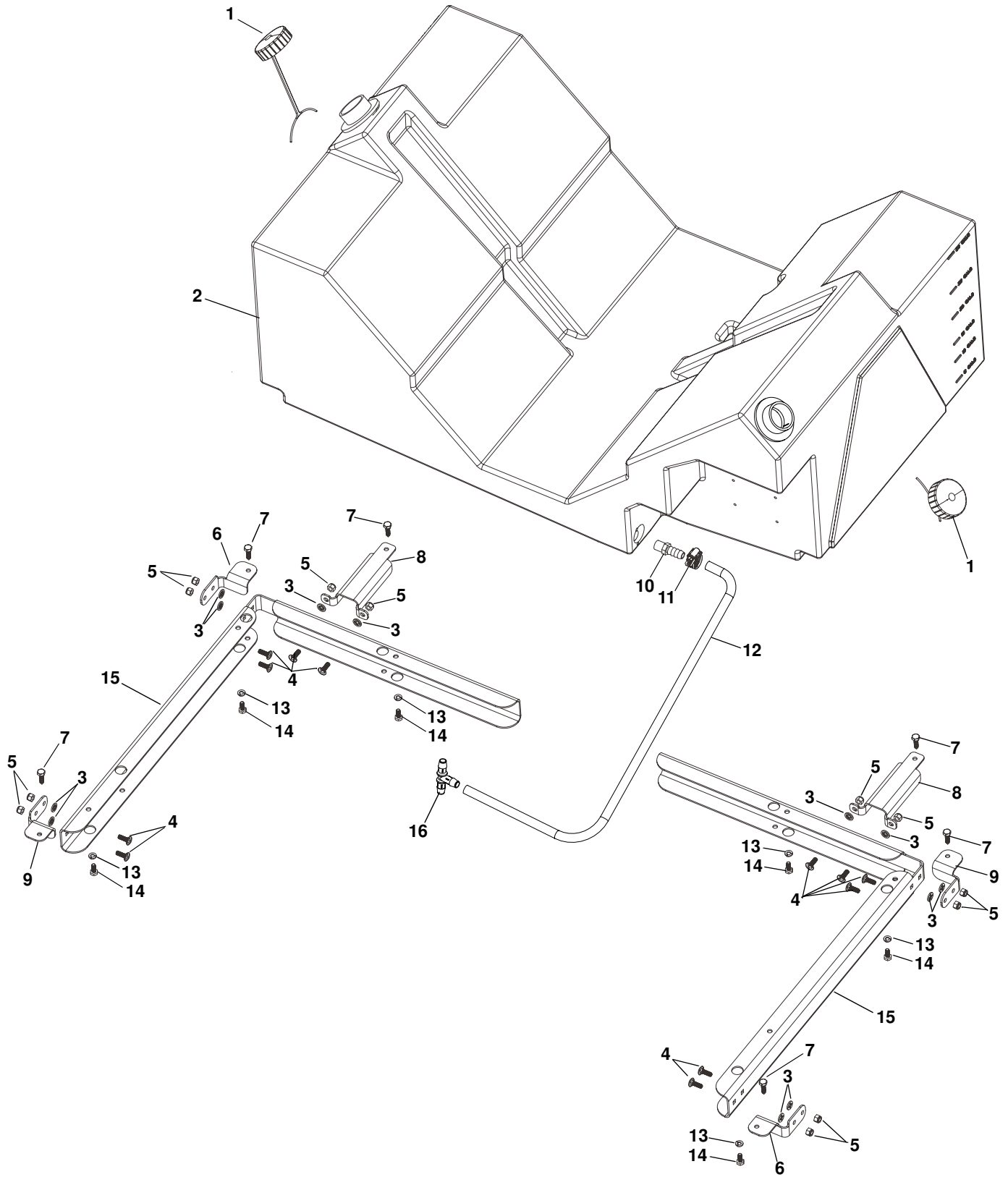


# SWS 30

ITEM	PART NO.	DESCRIPTION	QTY
1	96115737	Cap, Tank.....	2
2		Tank, 30G, Yellow .....	1
3	98100575	Washer, Serrated, #10, M5, Nylon.....	8
4	98100574	Carriage Bolt, 1/4"-20 x 3/4" .....	8
5	98100336	Nut, Nylock, 1/4"-20.....	8
6	96115732	Bracket, Mounting (Corner 2) .....	2
7	98100576	Screw, Self-Tapping, 1/4" x 1".....	4
8	96115733	Bracket, Mounting.....	2
9	96115731	Bracket, Mounting (Corner 1) .....	2
10	96115738	Pump .....	1
11	98100577	Cap Screw, Hex, 1/2"-13 x 1-3/4" .....	4
12	96115740	Housing, Filter.....	1
13	96115739	Fitting, 90° Elbow, 3/8" Barb .....	1
14	98100578	Clamp, Hose, 7/16"-3/4" .....	6
15	96115934	Hose, 3/8" ID, Spreader (See Note) .....	1
16		Fitting, Straight, 3/4" x 1/2" .....	1
17	96115933	Hose, 1/2" ID, Pump Supply .....	1
18	98009226	Washer, Lock, 1/4", SS .....	6
19	98100130	Cap Screw, Hex, 1/4"-20 x 5/8" .....	6
20		Bracket, Tank Support .....	2
21	96115754	Fitting, 3/4" MPT x 3/8" Hose.....	2
22	96115755	Coupler, Female .....	1
23	96115756	Coupler, Male.....	1
24	96115932	Dust Cap, Male Coupler .....	1
25	96115931	Dust Cap, Female Coupler .....	1
26	96115760	Cap, Nozzle .....	1
27	96115759	Jet, Nozzle .....	1
28	96115748	Nozzle Body Check Valve.....	1
29	96115758	Nozzle Body, 90°, 3/8" Barb.....	1
30	96115761	Bracket, Nozzle Alignment.....	1
31	96115934	Hose, 3/8" ID, Chute (See Note).....	1
32	98100488	Self-Tapping Screw, #10-16 x 1" .....	1
33	96114099	Cable Tie, 8" .....	1
34	96002077	Rubber Grommet.....	1

**Note: Replacement part may need to be cut down depending on which model the system is mounted to.**

# 30 GALLON AUXILIARY TANK



## 30 GALLON AUXILIARY TANK

ITEM	PART NO.	DESCRIPTION	QTY
1	96115737	Cap, Tank.....	2
2		Tank, 30G, Yellow.....	1
3	98100575	Washer, Serrated, #10, M5, Nylon.....	8
4	98100574	Carriage Bolt, 1/4"-20 x 3/4" .....	8
5	98100336	Nut, Nylock, 1/4"-20 .....	8
6	96115732	Bracket, Mounting (Corner 2) .....	2
7	98100576	Screw, Self-Tapping, 1/4" x 1" .....	4
8	96115733	Bracket, Mounting.....	2
9	96115731	Bracket, Mounting (Corner 1) .....	2
10		Fitting, Straight, 3/4" x 1/2" .....	1
11	98100578	Clamp, Hose, 7/16"-3/4" .....	6
12	96116646	Hose, 1/2" ID, SWS 30 Auxiliary.....	1
13	98009226	Washer, Lock, 1/4", SS .....	6
14	98100130	Cap Screw, Hex, 1/4"-20 x 5/8" .....	6
15		Bracket, Tank Support .....	2
16	96116645	Fitting, Tee, 1/2" Barb .....	1

# NUMERICAL INDEX

PART NO.	PAGE	ITEM
96002077	4	34
96114099	4	33
96115731	4	9
	6	9
96115732	4	6
	6	6
96115733	4	8
	6	8
96115737	4	1
	6	1
96115738	4	10
96115739	4	13
96115740	4	12
96115748	4	28
96115754	4	21
96115755	4	22
96115756	4	23
96115758	4	29
96115759	4	27
96115760	4	26
96115761	4	30
96115931	4	25
96115932	4	24
96115933	4	17
96115934	4	15
	4	31
96116645	6	16
96116646	6	12
98009226	4	18
	6	13
98100130	4	19
	6	14
98100336	4	5
	6	5
98100488	4	32
98100574	4	4
	6	4
98100575	4	3
	6	3
98100576	4	7
	6	7
98100577	4	11
98100578	4	14
	6	11

PART NO.	PAGE	ITEM
----------	------	------

PART NO.	PAGE	ITEM
----------	------	------



# NOTES

# NOTES

# NOTES

---

**SNO-WAY<sup>®</sup> INTERNATIONAL, INC.**

**SNO-WAY<sup>®</sup>**  
**SNOW & ICE CONTROL EQUIPMENT**

Hartford, WI 53027 USA  
Website: [www.snoway.com](http://www.snoway.com)  
©2017 Sno-Way<sup>®</sup> International