

# **SNO-WAY**®

**SNOW & ICE CONTROL EQUIPMENT**

## **SERVICE PARTS MANUAL**

### **UTV-V SERIES SNOW PLOWS**

FOR GRAVITY HYDRAULICS  
WITH SERIAL NUMBERS AFTER UTV-VG100000

Sno-Way®· Down Pressure® and EIS® are registered trademarks of Sno-Way International, Inc.  
ProControl™, MegaBlade™, V-Wing™, E-Z Switch™, Revolution™, MaxAdjust™, SpeedLock™, and  
QuickJack™ are trademarks of Sno-Way International, Inc.

©2017 Sno-Way® International

97102027B

# TABLE OF CONTENTS

	Page
PARTS LIST INTRODUCTION .....	2
BLADE - FRONT.....	3
BLADE - REAR.....	5
POWER PACK FRAME .....	7
HYDRAULIC SYSTEM - GRAVITY DOWN .....	9
HYDRAULIC POWER UNIT - GRAVITY DOWN .....	11
POWER PACK WIRING.....	13
NUMERICAL INDEX .....	14

**NOTE: For CONTROLLER SYSTEM WIRING - See Manual 97101915 - Snow Plow and Spreader Controls for parts breakdown and details.**

# PARTS LIST INTRODUCTION

Our dealership network stands by to provide you with any assistance you may require, including genuine Sno-Way service parts. All parts should be obtained from or ordered through your dealer. Give complete information about the part as well as the Model Number and Serial Number of your machine.

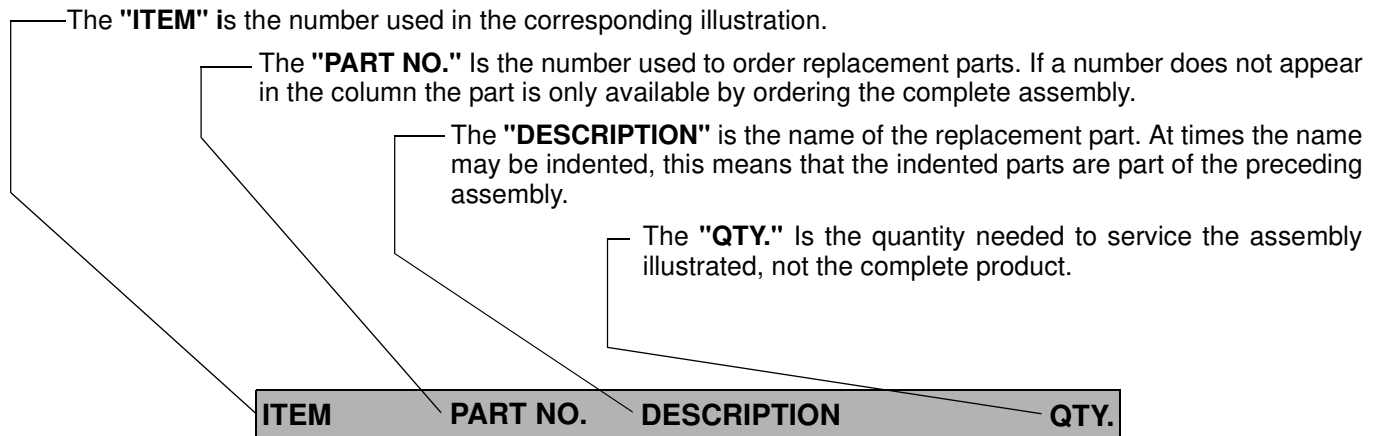
Record the Serial Number in the space provided in your Owner's Manual for quick reference. The Serial Number for the unit is on a plate located on the A-frame.

"Right" and "Left" are determined from a position sitting on the Operators Seat of the vehicle.

We reserve the right to make changes or improvements in the design or construction of any part without incurring the obligation to install such changes in any unit previously delivered.

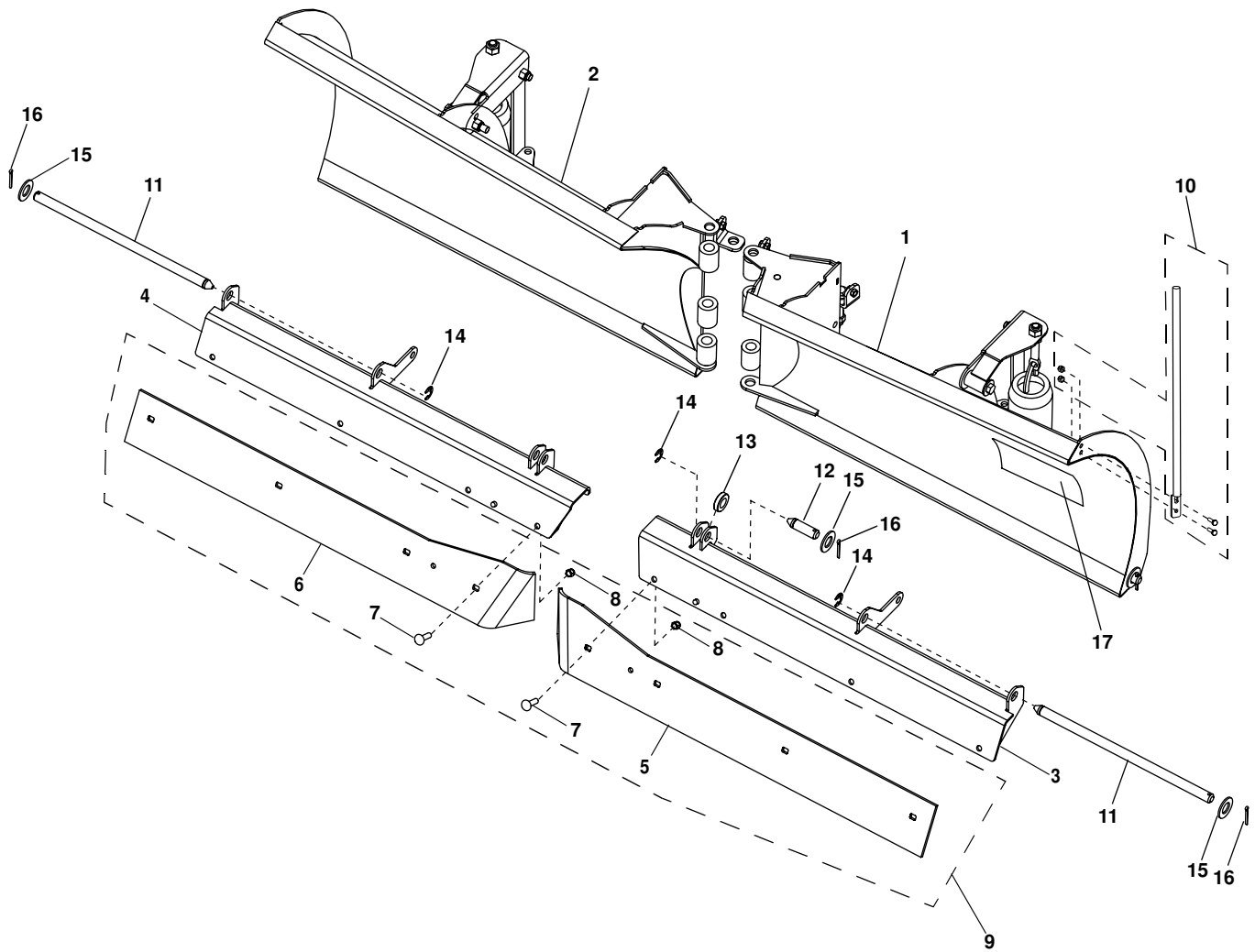
## USING THIS PARTS LIST

Below is parts listing with four columns. The first column is the "ITEM", the second is the "PART NUMBER", The third is the "DESCRIPTION" and the fourth is the "QUANTITY".



ITEM	PART NO.	DESCRIPTION	QTY.
1	96100083	O-ring	1
2	96001529	Elbow	3
3	98100036	Capscrew, Hex.,3/8"-16NC x 7/8"	9

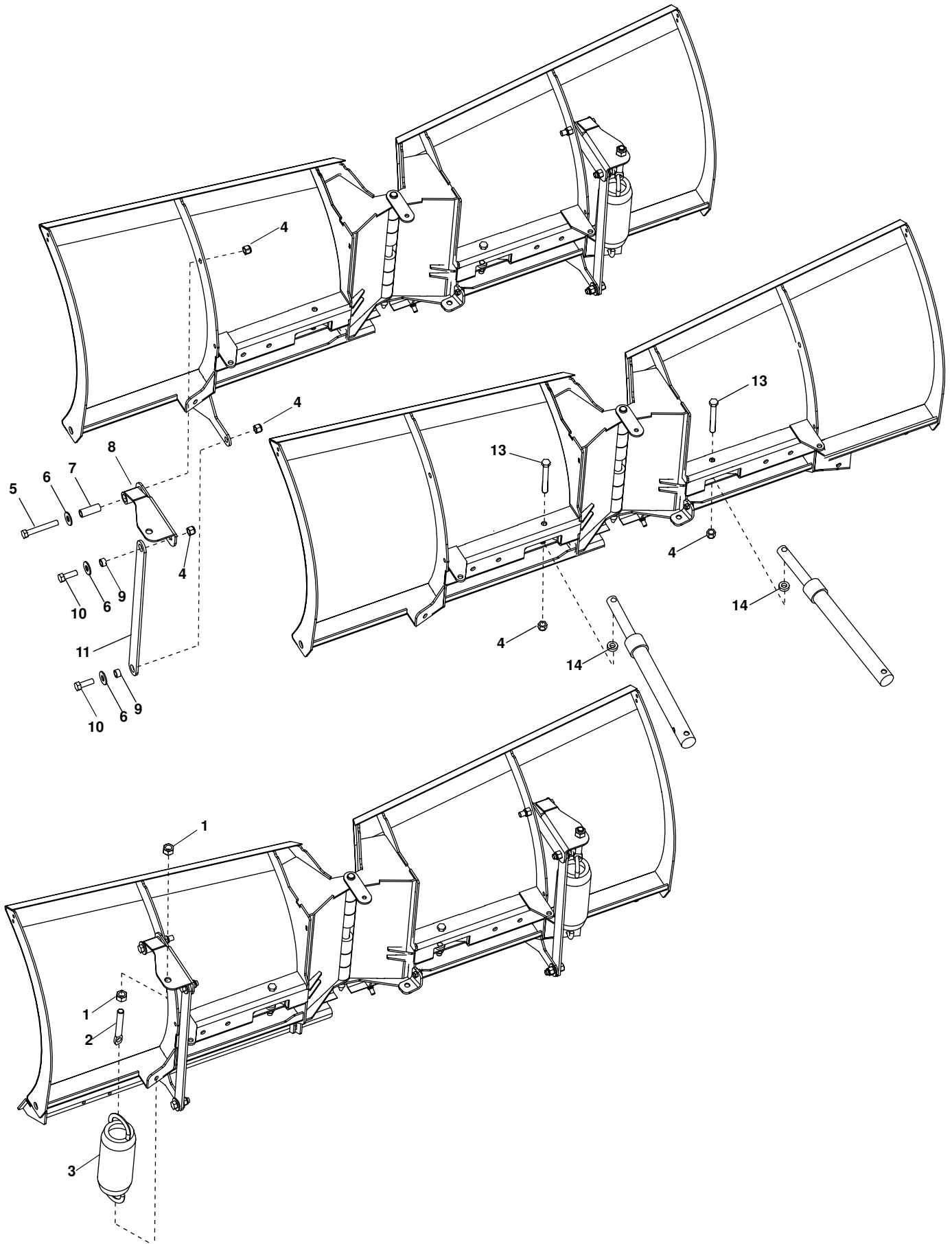
# BLADE - FRONT



# BLADE - FRONT

ITEM	PART NO.	DESCRIPTION	QTY
1		Blade Frame, Upper, DS, UTV-V .....	1
2		Blade Frame, Upper, PS, UTV-V.....	1
3	96115895	Blade Frame, Lower, DS, UTV-V .....	1
4	96115896	Blade Frame, Lower, PS, UTV-V.....	1
5		Wearstrip, Steel, DS.....	1
6		Wearstrip, Steel, PS .....	1
7	98009061	Carriage Bolt, 3/8"-16 X 1-1/2" .....	9
8	98009009	Lock Nut, 3/8"-16.....	9
9	96116323	Kit, Wearstrip, Steel, UTV-V Includes items 5, 6, 7, and 8 .....	1
10	96112352	Kit, Guide, Blade (Optional) Includes 2 Guides And Mounting Hardware.....	1
11	96116004	Pin, Trip, UTV-V .....	2
12	96116003	Pin, Trip, Short, UTV-V .....	2
13	96116264	Spacer, Blade, UTV-V .....	2
14	98100312	E-Ring, ER-75 3/4" .....	4
15	98009030	Flat Washer, 3/4" .....	4
16	98009085	Cotter Pin, 5/32" x 1-1/2".....	4
17	97100911	Decal, Sno-Way .....	1

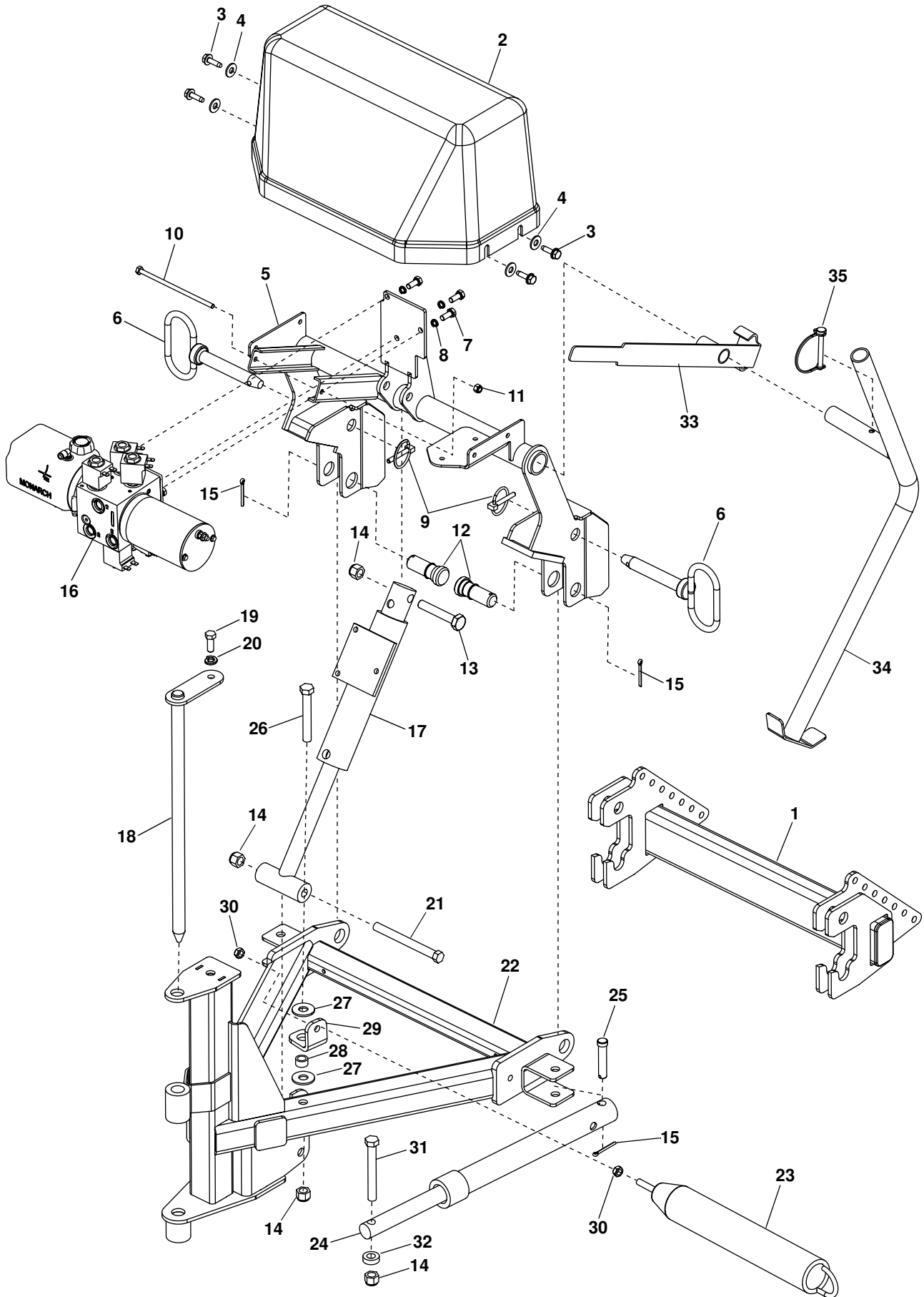
# BLADE - REAR



## BLADE - REAR

ITEM	PART NO.	DESCRIPTION	QTY
1	98009078	Nut, Hex, 5/8"-11 .....	4
2	96102781	Bolt, Spade, 5/8"-11 X 4.97" .....	2
3	96106889	Spring, Trip, 22 .....	2
4	98009013	Lock Nut, 1/2"-13.....	8
5	98009036	Cap Screw, Hex, 1/2"-13 X 3-1/2" .....	2
6	98100176	Flat Washer, 1/2", Hardened .....	6
7		Spacer, Spring Mount (Order Item #12 - Part Number 96115384) .....	2
8	96114536	Spring Mount, Drivers Side .....	1
	96114537	Spring Mount, Passenger Side.....	1
9		Spacer, Bellcrank (Order Item #12 - Part Number 96115384).....	4
10	98009010	Cap Screw, Hex, 1/2"-13 X 1-1/2" .....	4
11	96116057	Plate, Spring Mount.....	2
12	96115384	Kit, Spacer Service, UTV-V (Includes Item 4 (6), Item 5 (2), Item 6 (6), Item 7 (2), Item 9 (4) & Item 10 (4)) .....	1
13	98009195	Cap Screw, Hex, 1/2"-13 X 4" .....	2
14	96107710	Spacer, Swing Cylinder .....	2

# POWER PACK FRAME



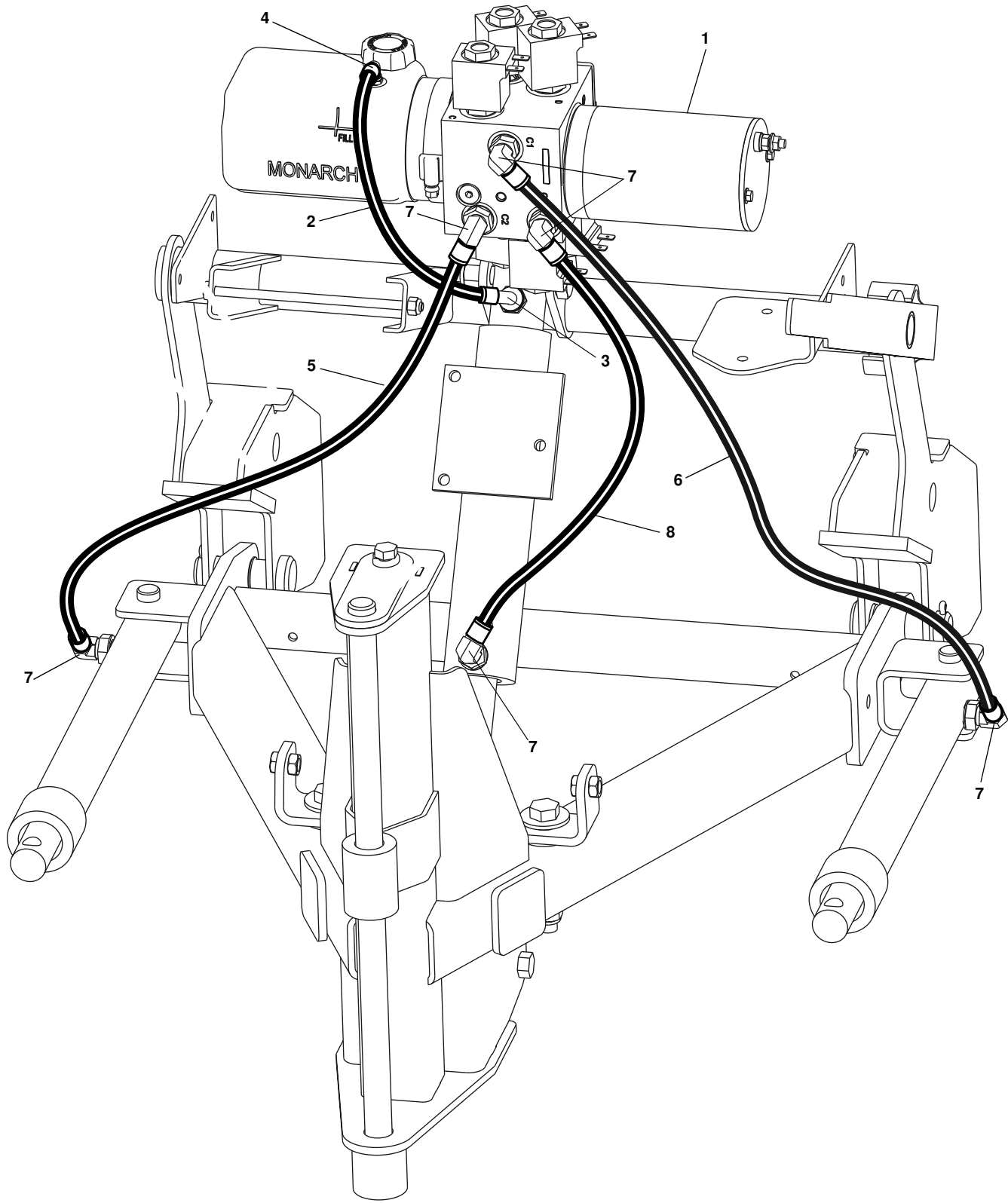


# POWER PACK FRAME

ITEM	PART NO.	DESCRIPTION	QTY
1	96115383	VCM, UTV-V .....	1
2	96116530	Pump Cover, UTV-V .....	1
3	98019176	Screw, Flange Head, Self Tapping, 5/16" .....	4
4	98019230	Flat Washer, 5/16" .....	4
5	96116099*	Lift Bar, UTV-V .....	1
6	96105046	Pin, Hitch .....	2
7	98100263	Cap Screw, Hex, 5/16"-18 x 3/4" .....	3
8	98009025	Lock Washer, 5/16" .....	3
9	98009169	Pin, Lynch, 1/4" X 1-3/4" .....	2
10	98100266	Cap Screw, Hex, 1/4"-20 x 6" .....	1
11	98100255	Lock Nut, 1/4"-20 .....	1
12	96109928	Pin, Hitch, Lower, 22 .....	2
13	98009017	Cap Screw, Hex, 1/2"-13 x 3" .....	1
14	98009013	Lock Nut, 1/2"-13 .....	6
15	98009085	Cotter Pin, 5/32"x 1-1/2" .....	4
16		Power Unit, UTV-V (See pages 11-12 for Parts Breakdown).....	1
17	96114777	Cylinder, Lift, UTV-V .....	1
18	96116005	Pin, UTV-V .....	1
19	98009022	Cap Screw, Hex, 3/8"-16 x 1" .....	1
20	98009008	Lock Washer, 3/8" .....	1
21	98009043	Cap Screw, Hex, 1/2"-13 x 5" .....	1
22	96116324	A-Frame, UTV-V .....	1
23	96116266	Spring, Return, UTV-V .....	2
24	96114778	Cylinder, Swing, UTV-V .....	2
25	98100322	Clevis Pin, 1/2" X 2-3/8" .....	27
26	98009036	Cap Screw, Hex, 1/2"-13 x 3-1/2" .....	2
27	98100176	Flat Washer, 1/2", Hardened.....	4
28	96110365	Spacer, Bellcrank.....	2
29	96116001	Return Spring Bracket.....	2
30	98009077	Nut, Hex, 3/8"-16 .....	4
31	98009195	Cap Screw, Hex, 1/2"-13 x 4" .....	2
32	96107710	Spacer, Swing Cylinder.....	2
33	96114915	Handle, UTV-V (For Serial Numbers Before UTV-VG100500) .....	1
34	96116489	Jackstand, UTV (For Serial Numbers After UTV-VG100499).....	1
35	98100275	Pin, Wire Lock, 5/16" x 2-3/4" .....	1

NOTE: \*When purchasing item 5 for serial numbers before UTV-VG100500, you must also purchase items 34 & 35 as item 33 will no longer fit.

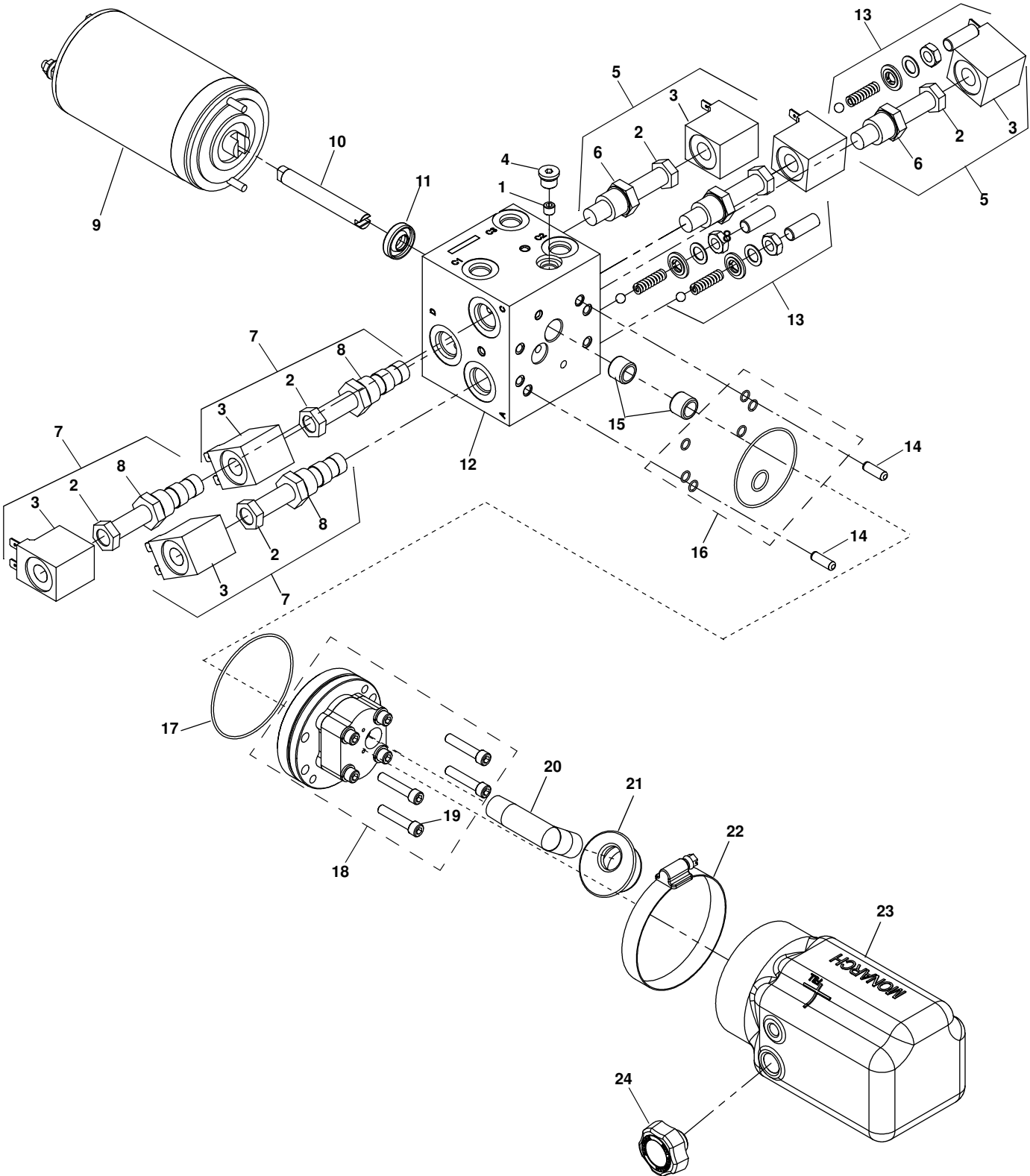
# HYDRAULIC SYSTEM GRAVITY DOWN



# HYDRAULIC SYSTEM GRAVITY DOWN

ITEM	PART NO.	DESCRIPTION	QTY
1		Power Unit, UTV-V, Gravity (See Pages 11-12 for Parts Breakdown) .	1
2	96116271	Tube, ID 0.180 X OD 1/4", Tank To Lift Cylinder - Base End .....	1
3	96114894	Fitting, Elbow, 90° .....	1
4	96114895	Fitting, Elbow, 90° .....	1
5	96115969	Hose, Hydraulic, 22", C2 To PS Wing Cylinder.....	1
6	96114899	Hose, Hydraulic, 23.0", C1 To DS Wing Cylinder .....	1
7	96100001	Fitting, Elbow, 90° .....	6
8	96116272	Hose, Hydraulic, 11.5", C3 To Lift Cylinder - Rod End .....	1

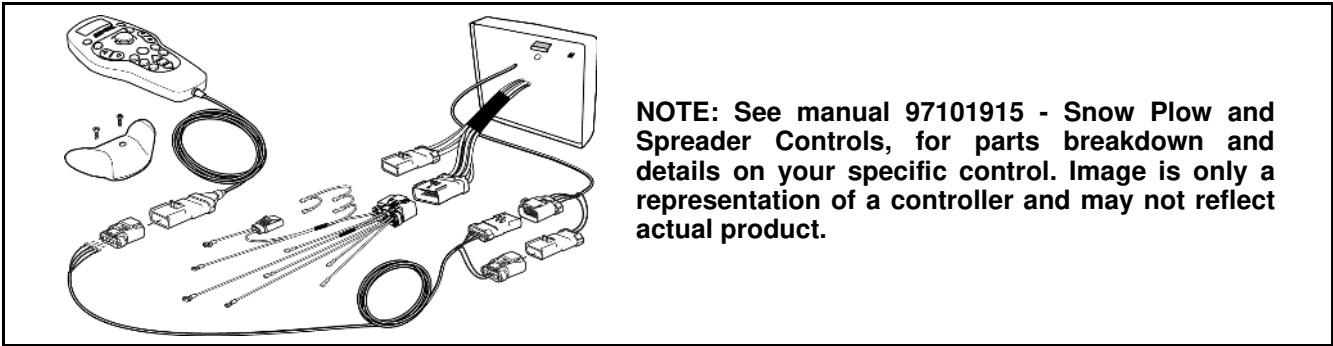
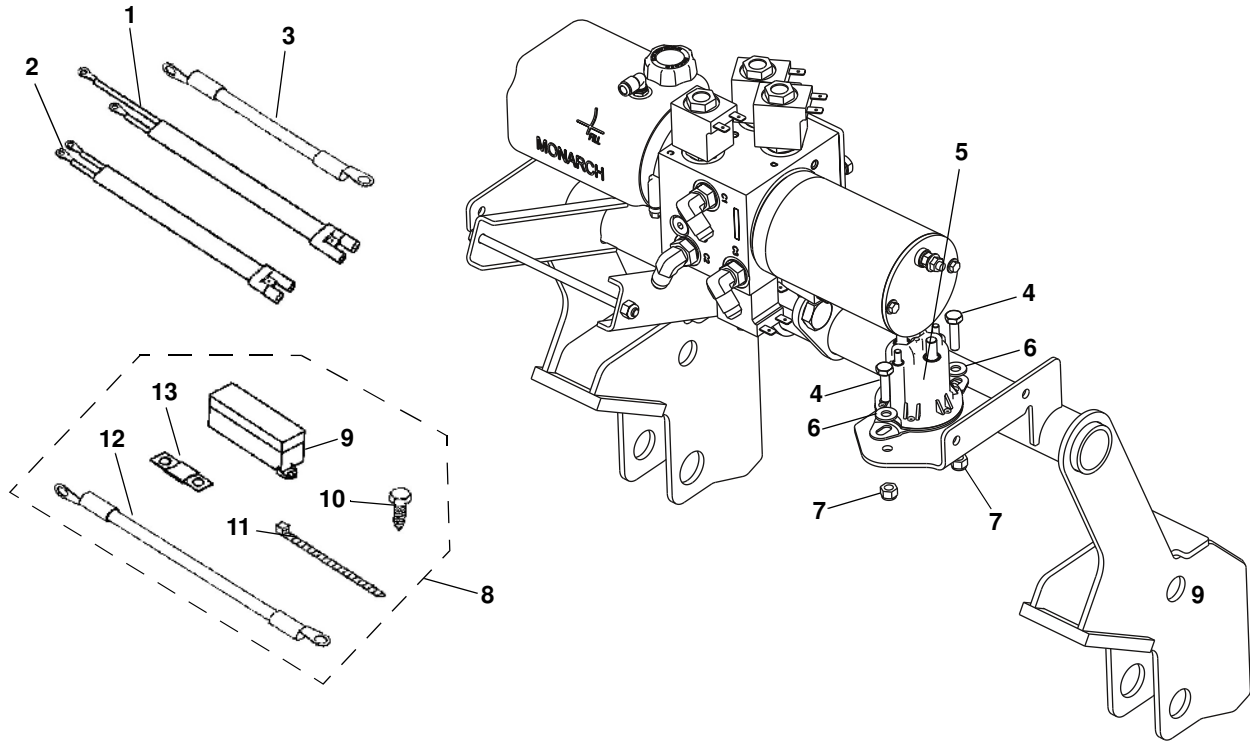
# HYDRAULIC POWER UNIT GRAVITY DOWN SYSTEM



# HYDRAULIC POWER UNIT GRAVITY DOWN SYSTEM

ITEM	PART NO.	DESCRIPTION	QTY
1	96106102	Orifice, 0.052 .....	1
2	96105275	Nut, Coil Retaining .....	6
3	96111171	Coil, 10V DC .....	6
4	96105234	Fitting, Plug .....	1
5	96112583	Kit, Valve, 2-Way 10VDC .....	3
6	96108325	Cartridge, 2 WAY .....	3
7	96112584	Kit, Valve, 3-Way, 10VDC .....	3
8	96108324	Cartridge, 3-Way .....	3
9	96105254	Motor, 12V DC .....	1
10	96115387	Shaft, Intermediate, Pump, UTV .....	1
11	96105317	Seal, Shaft .....	1
12		Valve Block / Base, UTV-V .....	1
13	96105313	Kit, System Relief Valve .....	3
14	96115386	Pin, Dowel .....	2
15	96115396	Bearing, Pump Shaft, UTV .....	2
16	96115395	Kit, O-Ring, Pump, UTV .....	1
17	96115394	O-Ring, Tank, UTV .....	1
18	96115385	Pump Assembly, UTV .....	1
19		Screw, Socket Head Cap .....	4
20	96115388	Tube, Suction, UTV .....	1
21	96105245	Filter .....	1
22	96115392	Clamp, UTV .....	1
23	96116325	Reservoir, UTV-V .....	1
24	96105244	Filler Cap .....	1

# POWER PACK WIRING



ITEM	PART NO.	DESCRIPTION	QTY
1	96114892	Harness, Battery Power .....	1
2	96114889	Harness, Plow Power .....	1
3	96114898	Harness, Solenoid .....	1
4	98009027	Capscrew, Hex, 1/4"-20 x 1" .....	2
5	96115722	Switch, Solenoid.....	1
6	98100254	Washer, Flat, 1/4" .....	2
7	98100255	Nut, Hex Head Nylock, 1/4"-20 .....	2
8	96115709	Bag, Power Harness Parts .....	1
9	96115667	Fuse Holder.....	1
10	98100037	Screw, Self-Tapping, #10-16 x 1" .....	2
11		Tie Strap, Plastic .....	2
12	96115706	Cable, Power.....	1
13	96115666	Fuse, 100 Amp.....	1
14	96115710	Kit, Power Cable Extension (Not shown) .....	1

# NUMERICAL INDEX

PART NO.	PAGE	ITEM	PART NO.	PAGE	ITEM	PART NO.	PAGE	ITEM
96100001	10	7	96115667	13	9		8	31
96102781	6	2	96115706	13	12	98019176	8	3
96105046	8	6	96115709	13	8	98019230	8	4
96105234	12	4	96115710	13	14	98100037	13	10
96105244	12	24	96115722	13	5	98100176	6	6
96105245	12	21	96115895	4	3		8	27
96105254	12	9	96115896	4	4	98100254	13	6
96105275	12	2	96115969	10	5	98100255	8	11
96105313	12	13	96116001	8	29		13	7
96105317	12	11	96116003	4	12	98100263	8	7
96106102	12	1	96116004	4	11	98100266	8	10
96106889	6	3	96116005	8	18	98100275	8	35
96107710	6	14	96116057	6	11	98100312	4	14
	8	32	96116099	8	5	98100322	8	25
96108324	12	8	96116264	4	13			
96108325	12	6	96116266	8	23			
96109928	8	12	96116271	10	2			
96110365	8	28	96116272	10	8			
96111171	12	3	96116323	4	9			
96112352	4	10	96116324	8	22			
96112583	12	5	96116325	12	23			
96112584	12	7	96116489	8	34			
96114536	6	8	96116530	8	2			
96114537	6	8	97100911	4	17			
96114777	8	17	98009008	8	20			
96114778	8	24	98009009	4	8			
96114889	13	2	98009010	6	10			
96114892	13	1	98009013	6	4			
96114894	10	3		8	14			
96114895	10	4	98009017	8	13			
96114898	13	3	98009022	8	19			
96114899	10	6	98009025	8	8			
96114915	8	33	98009027	13	4			
96115383	8	1	98009030	4	15			
96115384	6	12	98009036	6	5			
96115385	12	18		8	26			
96115386	12	14	98009043	8	21			
96115387	12	10	98009061	4	7			
96115388	12	20	98009077	8	30			
96115392	12	22	98009078	6	1			
96115394	12	17	98009085	4	16			
96115395	12	16		8	15			
96115396	12	15	98009169	8	9			
96115666	13	13	98009195	6	13			

---

**SNO-WAY® INTERNATIONAL, INC.**

**SNO-WAY®**  
**SNOW & ICE CONTROL EQUIPMENT**

Hartford, WI 53027 USA  
Website: [www.snoway.com](http://www.snoway.com)  
©2017 Sno-Way® International