

# **SNO-WAY**®

**SNOW & ICE CONTROL EQUIPMENT**

## **ASSEMBLY & INSTALLATION INSTRUCTIONS**

**VEHICLE MOUNT KIT 99101281  
AND  
VEHICLE CENTER MOUNT 96114780**

TO FIT  
2015 - 2021 Mahindra mPact  
2017 - 2021 Mahindra Retriever  
2017 & Later - Intimidator Classic, Crew



©2024 Sno-Way® International

97102044C



1. THINK SAFETY, ALWAYS WEAR SAFETY GLASSES WHEN PERFORMING THE OPERATIONS PRESCRIBED IN THESE INSTRUCTIONS
2. READ ALL INSTRUCTIONS CAREFULLY BEFORE ATTEMPTING INSTALLATION
3. BEFORE BEGINNING WORK MAKE SURE TO SET PARKING BRAKE AND CHOCK WHEELS



### ASSEMBLY TOOLS NEEDED

|                  |              |
|------------------|--------------|
| Impact Sockets   | 1/2" - 9/16" |
| Wrenches         | 1/2" - 9/16" |
| Torque Wrench    |              |
| Rat Tail Pry Bar |              |
| Hammer           |              |

### INSTALLATION NOTES

1. Vehicle should be parked on a level surface with a normal vehicle load on the FRONT suspension.
2. On some vehicles it may be necessary to raise or stiffen the suspension to decrease the vehicles front suspension sag with the snow plow in place.
3. Unless otherwise specified, mount all Vehicle Mount Kit Components to vehicle before tightening any hardware.
4. It is recommended that LOCTITE®, or similar thread locking product, be used on ALL mounting hardware (i.e. Nuts, Cap Screws, Bolts, etc.).
5. Items in parentheses ( ) refer to quantity required for this step. Items in parentheses with a pound sign (#) indicate the part number as found in the parts list on the last page of this document.  
Example: (2) 1/2" Lock Washers (#9).

### MOUNTING INSTRUCTIONS

1. Remove the (8) 3/8" x 2-1/4" Cap Screws (#5) and (8) 3/8" Flange Nuts (#6) holding two Side Plates and Hitch Assembly. Four cap screws and nuts per side. Set aside hardware for re-installation. Retain side plates for re-installation if vehicle mount kit is removed. (See Figure 1 and Figure 2.)

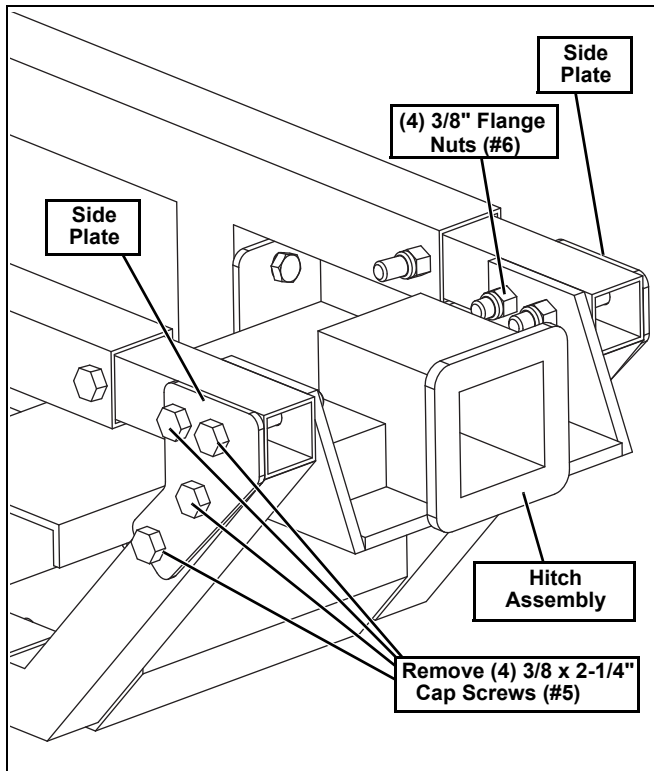


Figure 1

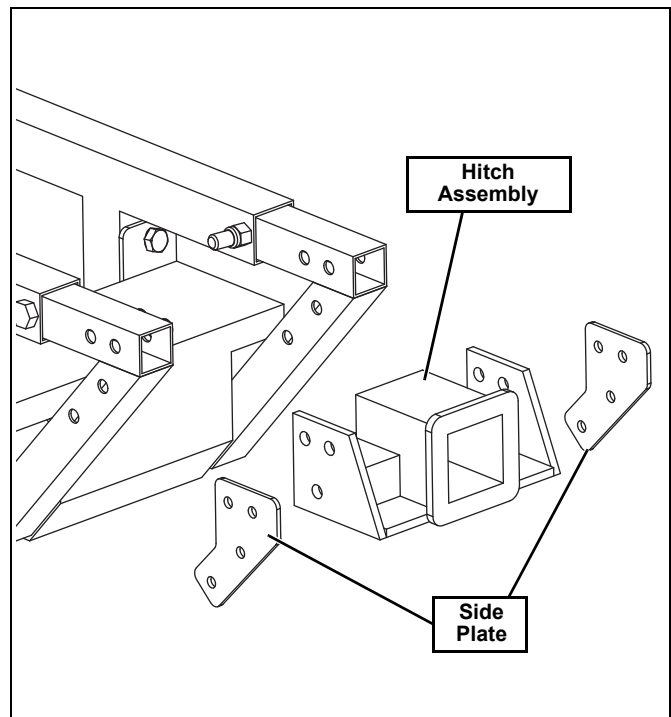


Figure 2

- Remove the lower (2) 3/8" x 2-1/4" Cap Screws (#5) and (2) 3/8" Flange Nuts (#6). Set aside hardware for installation steps. (See Figure 3.)

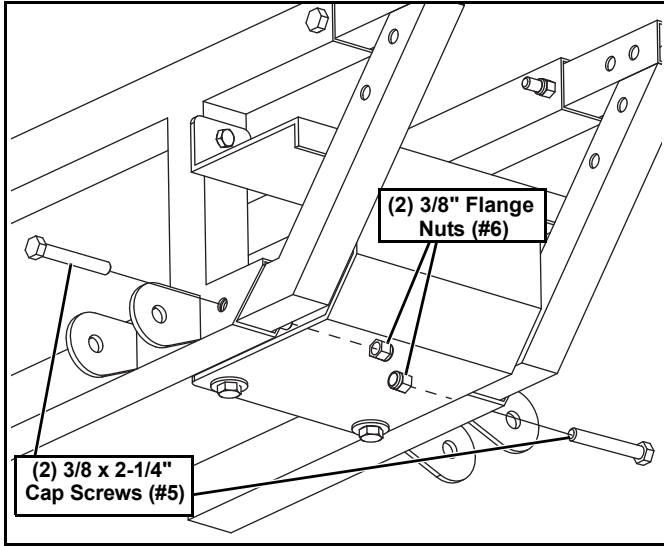


Figure 3

- Remove the lower (2) 3/8" x 1-1/4" Cap Screws (#7) and (2) 3/8" Flange Nuts (#6) in the Center Shield. Set aside hardware for installation steps. (See Figure 4.)

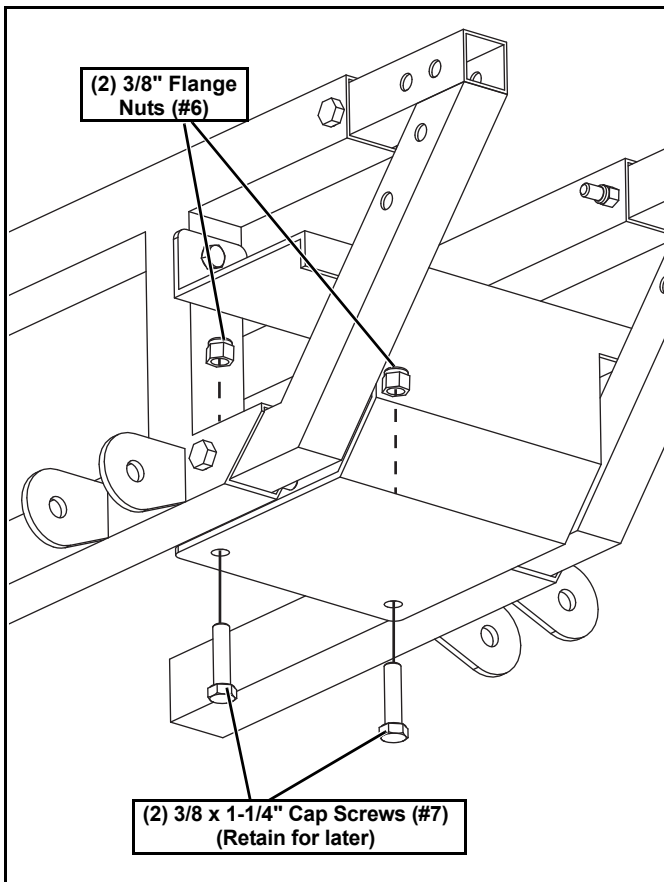


Figure 4

- Remove the two upper screws in the Center Shield. (See Figure 5.) Retain screws if mounting kit is removed.

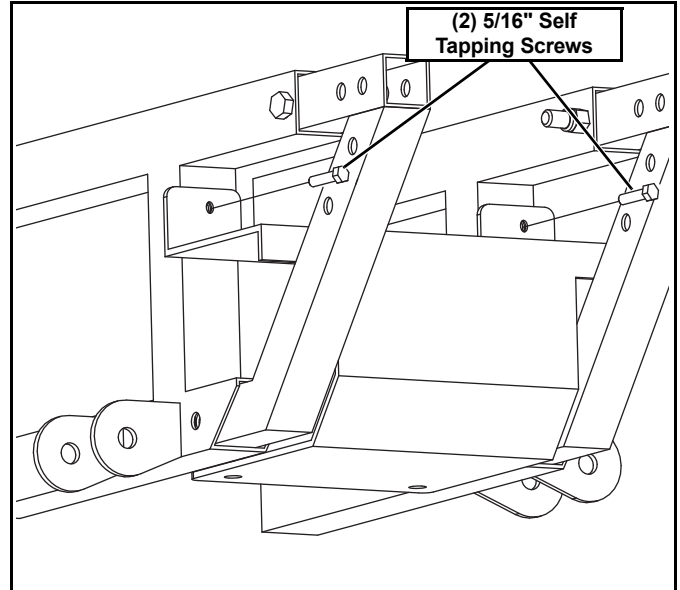


Figure 5

- Remove Center Shield and set aside for re-installation if vehicle mount kit is removed. (See Figure 6.)  
**NOTE:** You will need to turn bracket slightly in both directions in order to remove from frame.

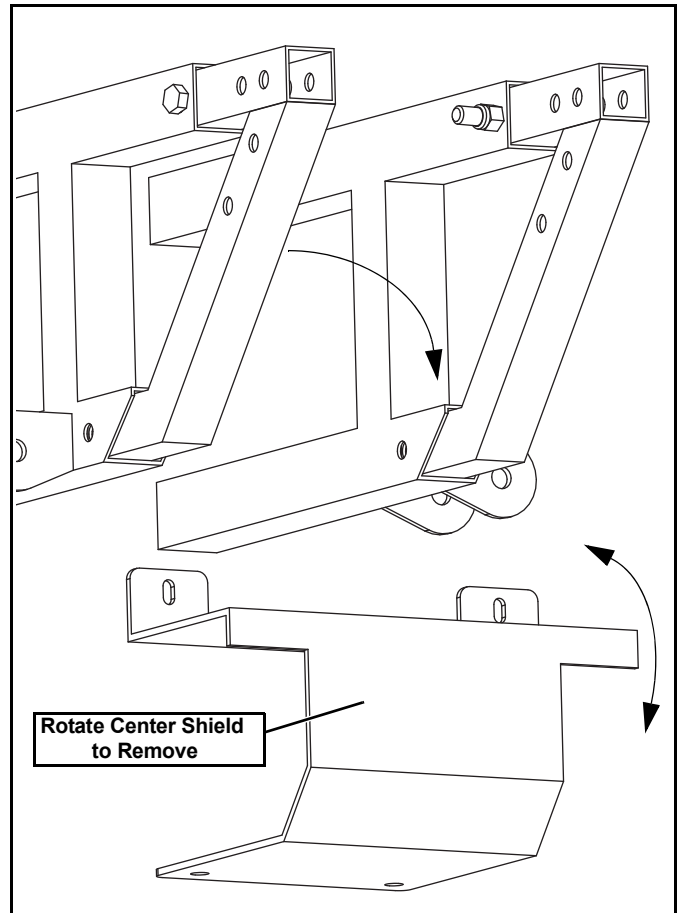


Figure 6

6. Place the Mounting Weldment (#2) onto the frame. Secure the lower side of item #2 by reinstalling the hardware that was removed from step 2. (See Figure 7.)

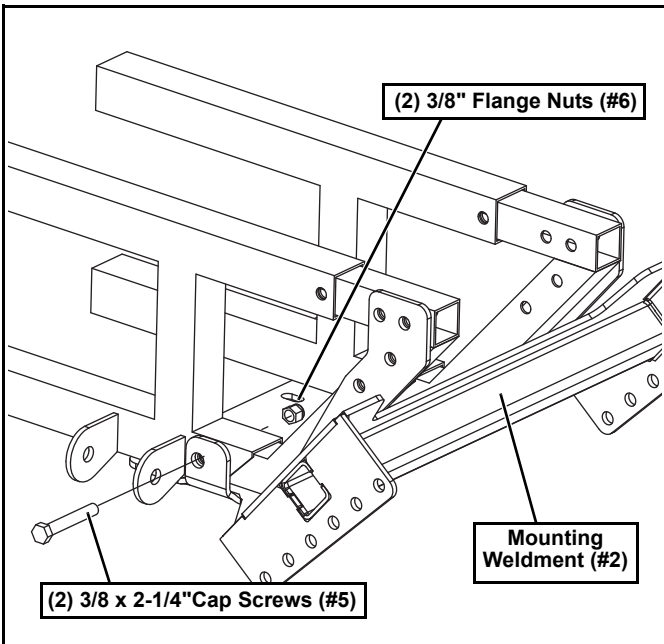


Figure 7

7. Hold Hitch Assembly in its original location. (See Figure 8.)

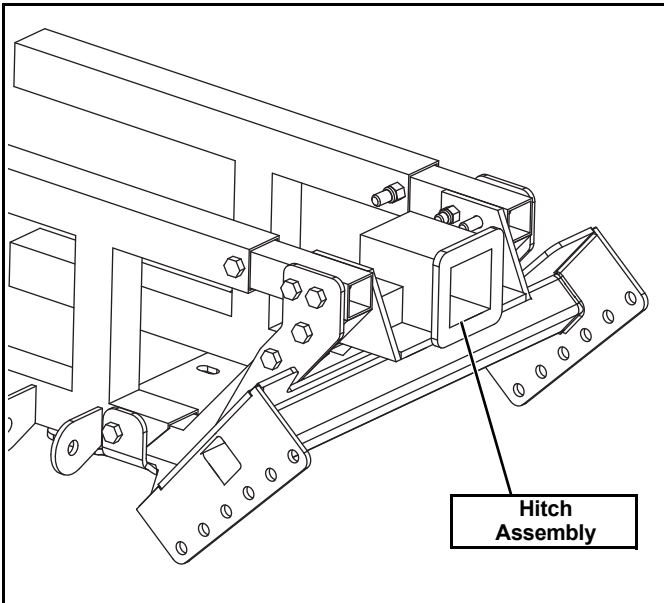


Figure 8

8. Secure the upper end of item #2 and the Hitch Assembly by reinstalling the hardware that was removed from step 1. (See Figure 8.)

9. Secure the bottom of item #2 by reinstalling the hardware that was removed from step 3, but place (1) 3/8\"/>

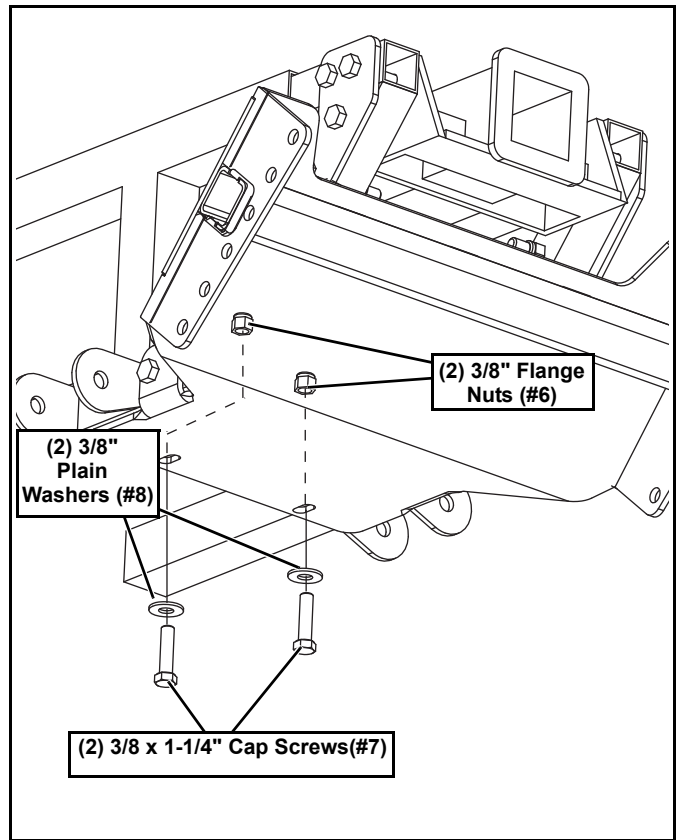


Figure 9

- Align the UTV Mount (#1) with the holes in the Mounting Weldment (#2). Adjust the UTV Mount (#1) so that the center of the bottom slot is 11-12" off of the ground. (See Figure 10.)

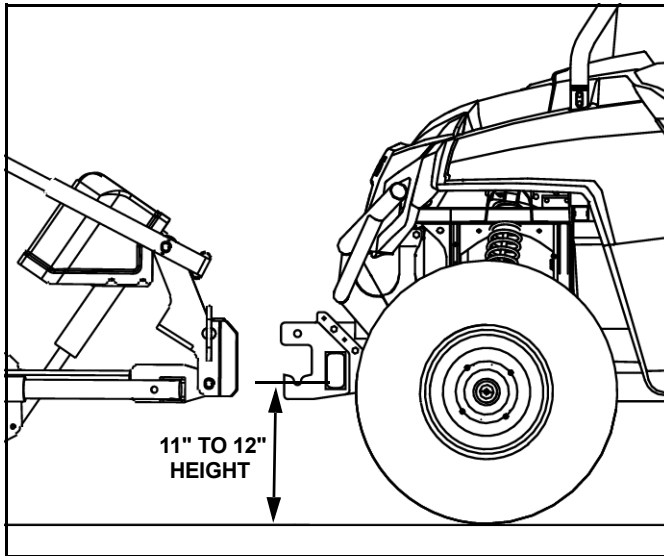


Figure 10

**IMPORTANT:** Height from the bottom of the lower pin slots on the UTV Mount to the ground should be between 11" and 12" to ensure proper operation.

- Secure the UTV Mount (#1) with (6) 3/8" x 1-1/4" Cap Screws (#4) and (6) 3/8" Locknuts (#3).
- Tighten all hardware using the Torque Specification Chart below:

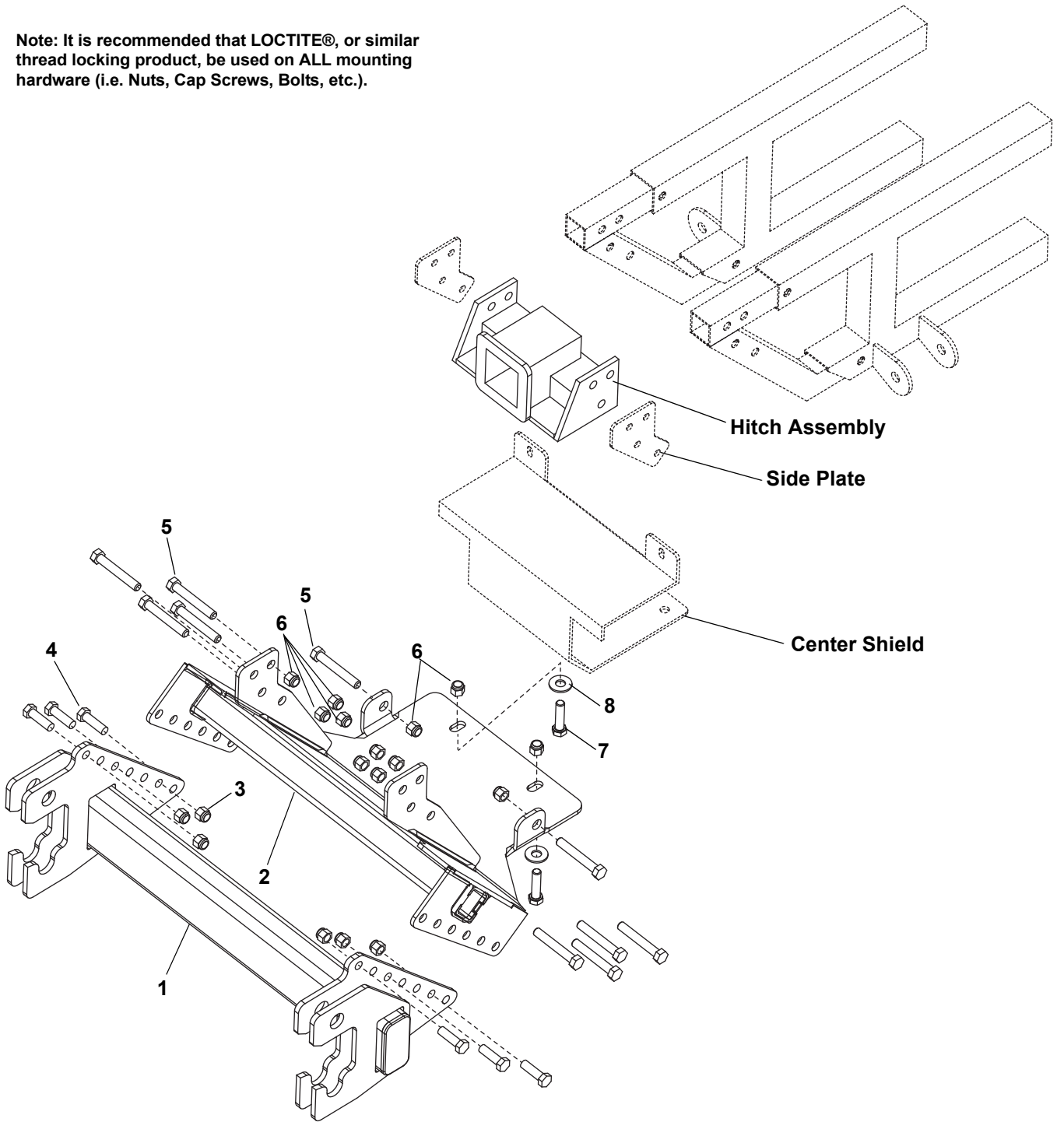
| TORQUE SPECIFICATIONS FOR STANDARD MACHINE HARDWARE |          |          |          |             |            |
|---|----------|----------|----------|-------------|------------|
| Bolt Size   | GR.2 Dry | GR.5 Dry | GR.8 Dry | Metric Size | GR.8.8 Dry |
| 1/4"  | 66*      | 9        | 12       | M8          | 17         |
| 5/16"   | 11       | 17       | 25       | M10         | 35         |
| 3/8"  | 20       | 30       | 45       | M12         | 60         |
| 7/16"   | 32       | 50       | 70       | M14         | 95         |
| 1/2"  | 50       | 75       | 110      | M16         | 155        |
| 9/16"   | 70       | 110      | 150      |             |            |
| 5/8"  | 100      | 150      | 220      |             |            |
| 3/4"  | 175      | 260      | 380      |             |            |
| 7/8"  | 170      | 430      | 600      |             |            |
| 1"  | 250      | 640      | 900      |             |            |

These torque values are to be used for all hardware. Unless otherwise specified, all torque values must meet this specification.  
All torque values are in Ft.-Lbs unless otherwise stated  
\*In-Lbs

**REMEMBER** After 5 to 10 hours of snowplow usage, re-torque all hardware!

# PARTS LIST

Note: It is recommended that LOCTITE®, or similar thread locking product, be used on ALL mounting hardware (i.e. Nuts, Cap Screws, Bolts, etc.).



| ITEM | PART NO. | DESCRIPTION   | QTY. |
|------|----------|---|------|
| 1    | 96114780 | Vehicle Center Member, UTV (Not Included).....          | 1    |
| 2    |          | Weldment, Mounting .....                                | 1    |
| 3    |          | LN, 3/8"-16 .....                                       | 6    |
| 4    |          | HHCS, 3/8"-16 x 1-1/4" .....                            | 6    |
| 5    |          | HHCS, 3/8"-16 x 2-1/4" (Existing Hardware) .....        | 10   |
| 6    |          | FN, 3/8"-16 (Existing Hardware) .....                   | 12   |
| 7    |          | HHCS, 3/8"-16 x 1-1/4" (Existing Hardware) .....        | 2    |
| 8    |          | PW, 3/8" .....  | 2    |
| 9    | 96116407 | Kit, HDWE (Not Shown) (Includes items 3, 4 and 8) ..... | 1    |

# NOTES

---

**SNO-WAY® INTERNATIONAL, INC.**



Hartford, WI 53027 USA  
Website: [www.snoway.com](http://www.snoway.com)  
©2024 Sno-Way® International