

# **SNO-WAY**®

***SNOW & ICE CONTROL EQUIPMENT***

## **INSTALLATION INSTRUCTIONS**

**99101247 - POLY V-BOX  
VIBRATOR MOTOR KIT**

TO FIT:  
PDE800 EQUIPPED WITH AN RS CONTROL AND RVB  
1500/2000/2500 SPREADERS



1. THINK SAFETY, ALWAYS WEAR SAFETY GLASSES WHEN PERFORMING THE OPERATIONS PRESCRIBED IN THESE INSTRUCTIONS
2. READ ALL INSTRUCTIONS CAREFULLY BEFORE ATTEMPTING INSTALLATION
3. BEFORE BEGINNING WORK MAKE SURE TO SET PARKING BRAKE AND CHOCK WHEELS



### MINIMUM VEHICLE RECOMMENATIONS

Heavy Duty Alternator  
Heavy Duty Battery

### ASSEMBLY TOOLS NEEDED

Drill Bit, 13/32"      9/16" Deep Well Socket

The addition of a vibrator to the v-box set up can aid in flowing tough materials such as sand and sand salt mixtures. However, if the position of the vibrator is not optimal, the effects will be minimal.

### INSTALLATION NOTES

1. Unless otherwise specified, mount all kit components to vehicle before tightening any hardware.
2. It is recommended that LOCTITE®, or similar thread locking product, be used on ALL mounting hardware (i.e. Nuts, Cap Screws, Bolts, etc.).

### INSTALLATION

1. Tip spreader on its side.
2. (If installing on RVB series skip to step 4.) Locate and drill a 13/32" hole as shown in Figure 1 3" from leg and 11/16" from bend in trough. (See Figure 1)

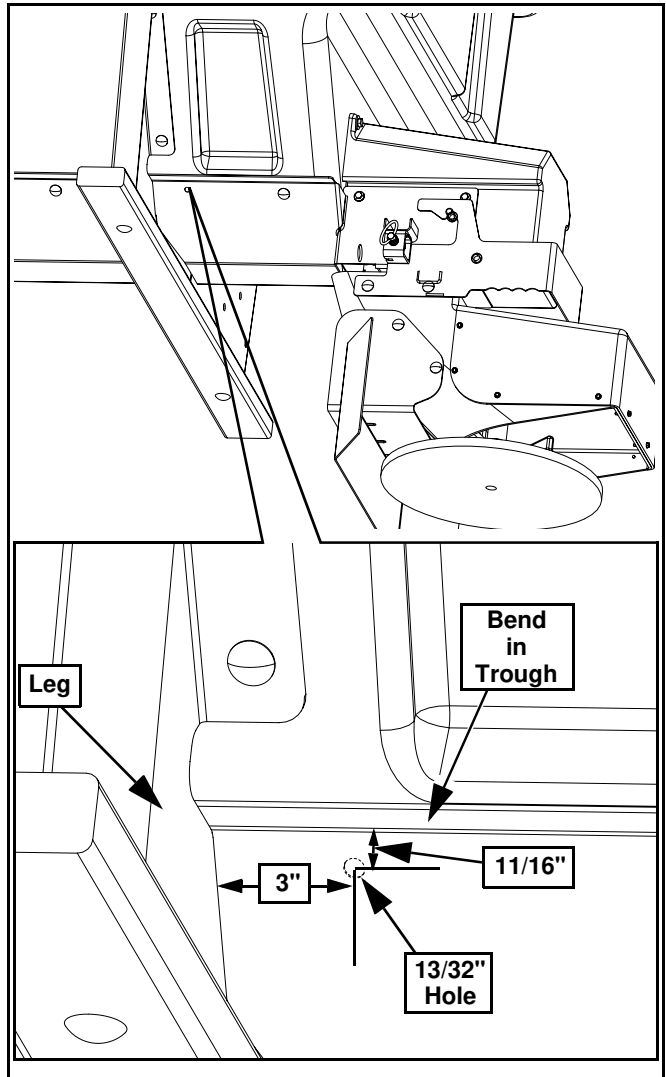


Figure 1

3. Use the vibrator as a template. Align the first hole and mark the remaining holes. The top holes will go through the hopper and frame. The lower two holes will only go through the frame. (See Figure 2)

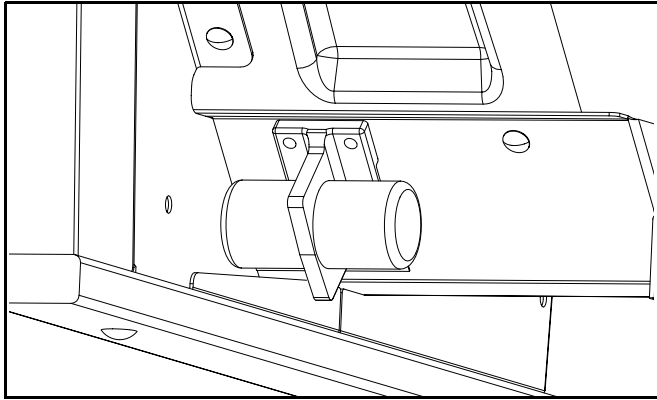


Figure 2

4. (Skip this step if installing on PDE 800 series) Remove the plugs from the two lower holes. Drill a 13/32" Hole through the hopper of the top two holes. (See Figure 3)

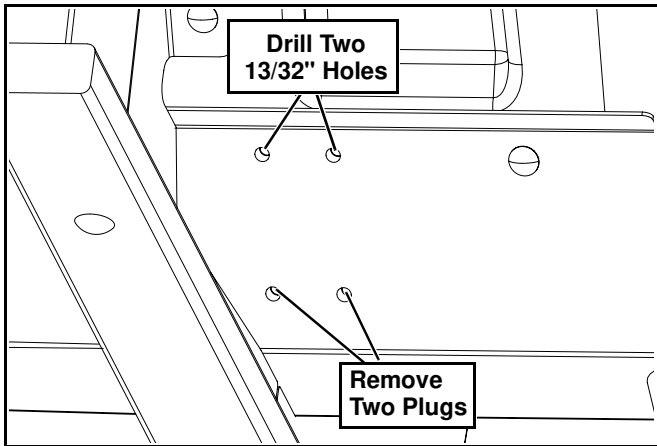


Figure 3

5. Install the upper and lower vibrator bolt plates from inside the hopper out. (See Figure 4)

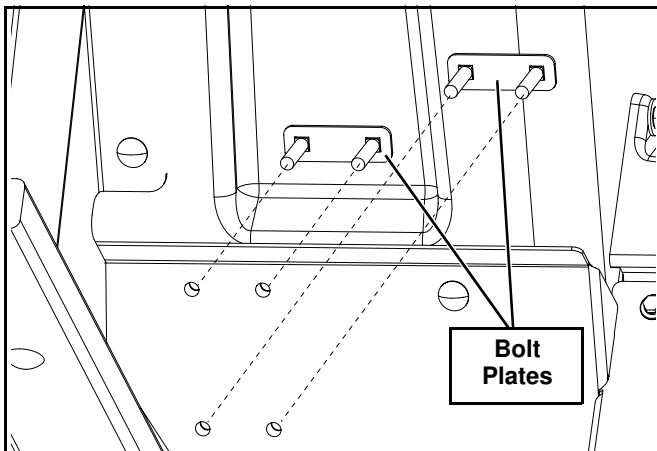


Figure 4

6. Install the vibrator onto the bolt plates, and install the nylon lock nuts onto the protruding threads of the retention brackets. (See Figure 5)

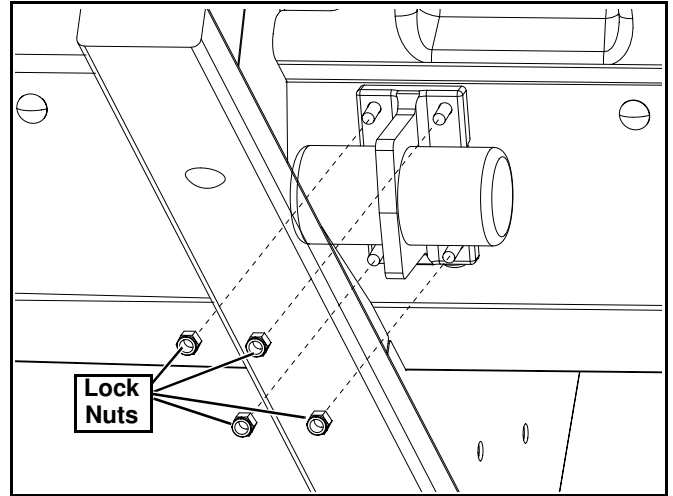


Figure 5

7. Route the vibrator harness underneath the spreader trough, but inside the support rail and attach the lead to the vibrator 2 receptacle. (See Figure 6)

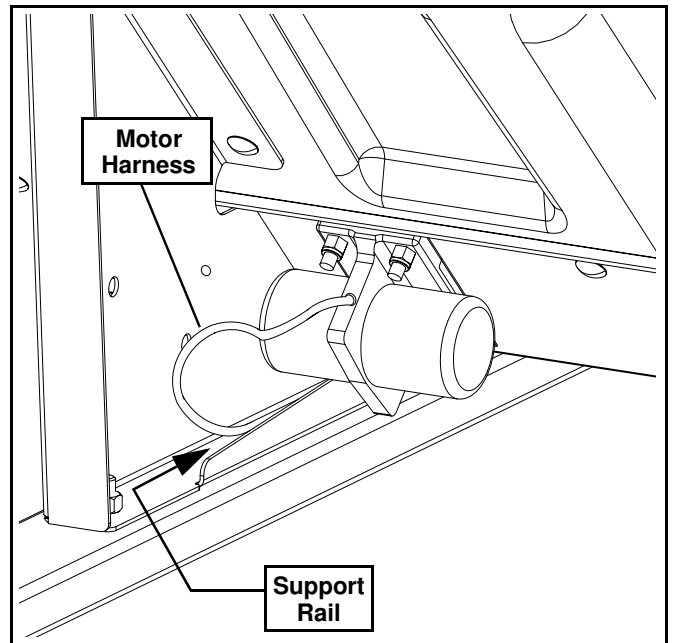
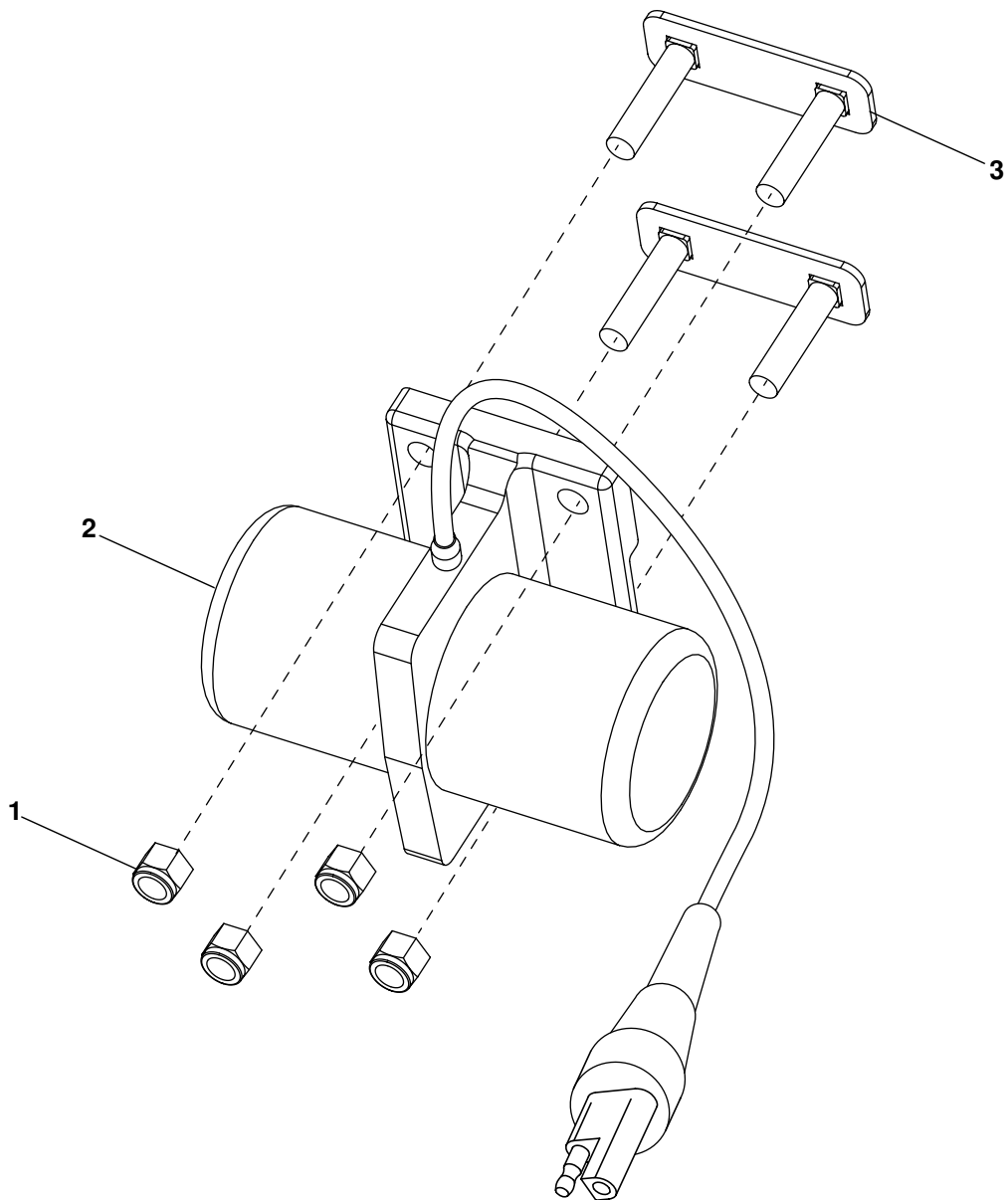


Figure 6

# PARTS LIST



ITEM	PART NO.	DESCRIPTION	QTY.
1		Lock Nut, 3/8"-16 SS .....	4
2		Vibrator .....	1
3		Weldment, Bolt Plate, SS .....	2

SNO-WAY® INTERNATIONAL, INC.



Hartford, WI 53027 USA  
Website: [www.snoway.com](http://www.snoway.com)  
©2017 Sno-Way® International