

SNO-WAY®

SNOW & ICE CONTROL EQUIPMENT

SERVICE PARTS MANUAL

**SKID STEER STRAIGHT BLADE
SNOW PLOWS
SERIES 29SKD, 29RSKD, 29THDSKD**

FOR PLOW SERIAL NUMBERS AFTER:
29SKD100000, 29RSKD100000, 29THDSKD100000

TABLE OF CONTENTS

	Page
PARTS LIST INTRODUCTION	2
FRAME - 29SKD	3
BLADES - 29SKD	5
FRAME - 29THDSKD	7
BLADES - 29THDSKD	9
FRAME - 29RSKD	11
BLADES - 29RSKD (Front)	13
BLADES - 29RSKD (Rear)	14
HYDRAULIC VALVE BLOCK ASSEMBLY - 29RSKD	15
CONTROL SYSTEM WIRING - 29RSKD	16
HYDRAULIC SYSTEM - 29RSKD	17
CROSS OVER RELIEF - 29SKD and 29THDSKD	18
SKID STEER ADAPTERS	19
NUMERICAL INDEX	20
DEALER CHECKLIST	Rear Cover

PARTS LIST INTRODUCTION

Our dealership network stands by to provide you with any assistance you may require, including genuine Sno-Way service parts. All parts should be obtained from or ordered through your dealer. Give complete information about the part as well as the Model Number and Serial Number of your machine.

Record the Serial Number in the space provided in your Owner's Manual for quick reference. The Serial Number for the unit is on a plate located on the left frame gusset of the Hopper Frame.

"Right" and "Left" are determined from a position sitting on the Operators Seat of the vehicle.

We reserve the right to make changes or improvements in the design or construction of any part without incurring the obligation to install such changes in any unit previously delivered.

USING THIS PARTS LIST

Below is parts listing with four columns. The first column is the "ITEM", the second is the "PART NUMBER", The third is the "DESCRIPTION" and the fourth is the "QUANTITY".

The **"ITEM"** is the number used in the corresponding illustration.

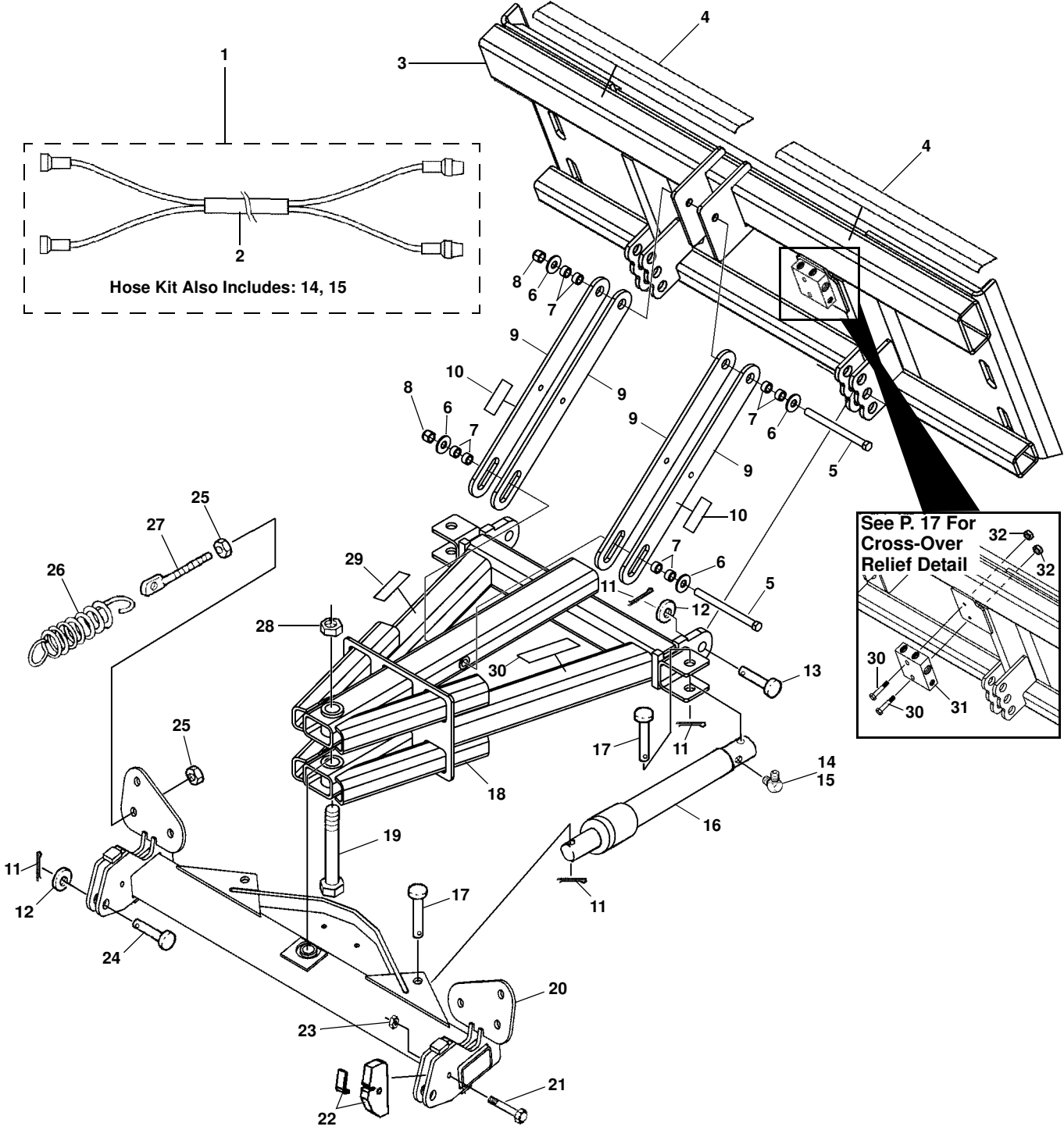
The **"PART NO."** Is the number used to order replacement parts. If a number does not appear in the column the part is only available by ordering the complete assembly.

The **"DESCRIPTION"** is the name of the replacement part. At times the name may be indented, this means that the indented parts are part of the preceding assembly.

The **"QTY."** Is the quantity needed to service the assembly illustrated, not the complete product.

ITEM	PART NO.	DESCRIPTION	QTY.
1	96100083	O-ring	1
2	96001529	Elbow	3
3	98100036	HHCS, 3/8"-16NC x 7/8"	9

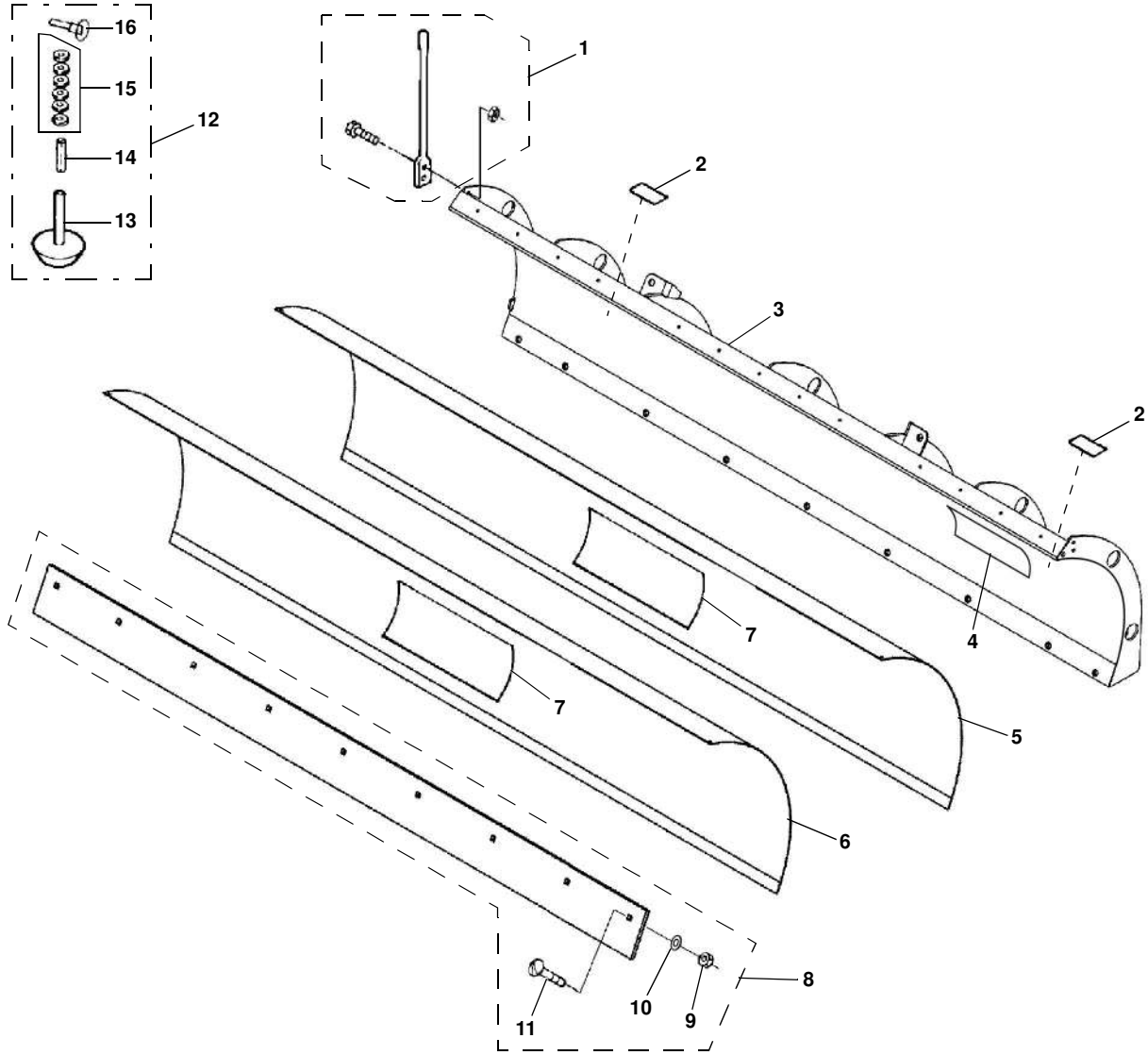
FRAME - 29SKD



FRAME - 29SKD

ITEM	PART NO.	DESCRIPTION	QTY
1	96106218	Kit, Hose	1
2	96106322	ASSY, Hose	1
3		Adapter, Skid Steer (see page 19 for applications).....	1
4	96106279	Roughing Strips, Anti-Slip	2
5	98009114	HHCS, 1/2"-13 x 6"	2
6	98100176	PW, 1/2", Special Hardened	4
7	96110365	Spacer.....	8
8	98009013	LN, 1/2"-13.....	4
9	96106194	Link, Lift	4
10	97100914	Decal, Floating Link Caution.....	2
11	98009085	COTP, 5/32" x 1-1/2".....	8
12	98009030	PW, 3/4".....	4
13	98100165	CLP, 3/4" x 2-1/2".....	2
14	96106221	Fitting, Orifice (used on left Angle Cylinder only).....	1
15	96100001	Fitting, Elbow (used on right Angle Cylinder only).....	1
16	96106078	Cylinder, Angle.....	2
17	98100040	CLP, 3/4" X 3"	4
18	96106257	A-Frame.....	1
19	98100420	HHCS, 1"-14 x 8-1/2".....	1
20	96105457	Frame, Swing, 29/32SKD	1
21	98009134	HHCS, 3/8"-16 x 2-1/2".....	2
22	96107395	Kit, Blade Stop/Cushion, 29SKD.....	2
	96107396	Kit, Blade Stop/Cushion, 32SKD.....	2
23	98009009	LN, 3/8"-16.....	2
24	98100315	CLP, 3/4" x 2".....	2
25	98009078	HN, 5/8"-11	8
26	96001392	Spring, Trip	4
27	98009037	Eyebolt, 5/8"-11 x 6"	4
28	98100294	LN, 1"-14.....	1
29	97100876	Decal, Warning, Pinch Point	2
30	98009067	HHCS, 1/4"-20 x 2-1/2".....	2
31	96106275	ASSY, Cross Over Relief (see page 18 for detail)	1
32	98100255	LN, 1/4"-20.....	2

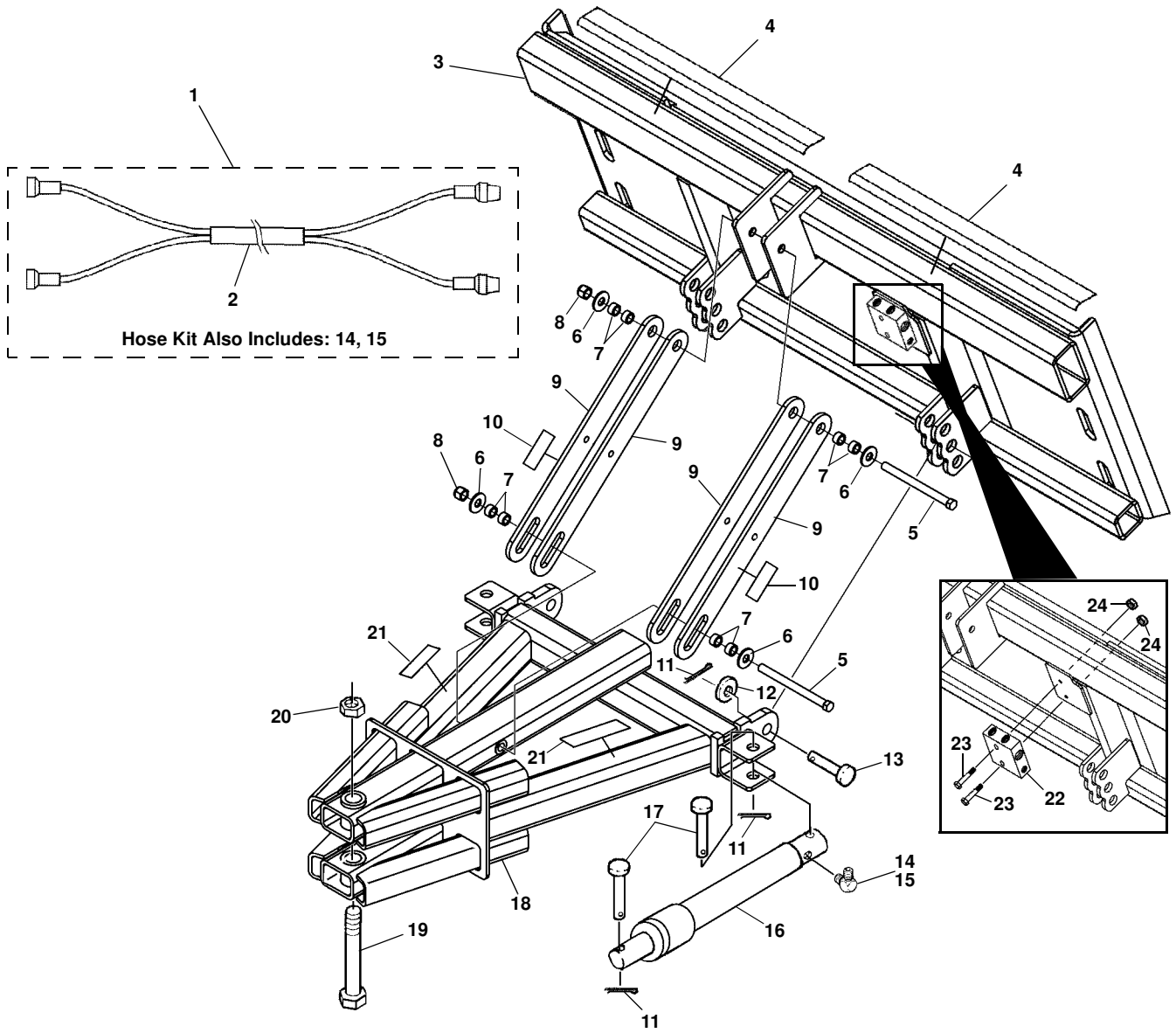
BLADES - 29SKD



BLADES - 29SKD

ITEM	PART NO.	DESCRIPTION	QTY
1	96112352	Kit, Guide, Blade (includes two Guides and Mounting Hardware)	1
2		Decal, Warning	2
3		Frame, 90"	1
		Frame, 96"	1
4	97101835	Decal, Sno-Way	1
5	96106663	Kit, Skin, Polycarbonate, 90" (includes "Sno-Way" Decal)	1
	96106664	Kit, Skin, Polycarbonate, 96" (includes "Sno-Way" Decal)	1
6	96106665	Blade Skin, Steel, 90" (includes "Sno-Way" Decal)	1
	96106666	Blade Skin, Steel, 96" (includes "Sno-Way" Decal)	1
	96106667	Blade Skin, SS, 96" (includes "Sno-Way" Decal)	1
	96107332	Blade Skin, SS, 90" (includes "Sno-Way" Decal)	1
7	97100879	Decal, Sno-Way	1
8	96112726	Kit, Wearstrip, Steel, 90", 3/8"	1
	96113054	Kit, Wearstrip, Steel, 90", 1/2" (Optional Accessory)	1
	96112727	Kit, Wearstrip, Steel, 96", 3/8"	1
	96113055	Kit, Wearstrip, Steel, 96", 1/2" (Optional Accessory)	1
9	98009013	LN, 1/2" - 13	9
10	98100176	PW, 1/2", Hardened	9
11	98009099	CB, 1/2"-13 x 2"	9
12	96102542	ASSY, Shoe	2
13		Shoe, Cast, 1" Shaft	1
14		Spacer, 1"	1
15	98009005	PW, 1"	13
16	98009169	Pin, Lynch, 1/4" x 1-9/16"	1

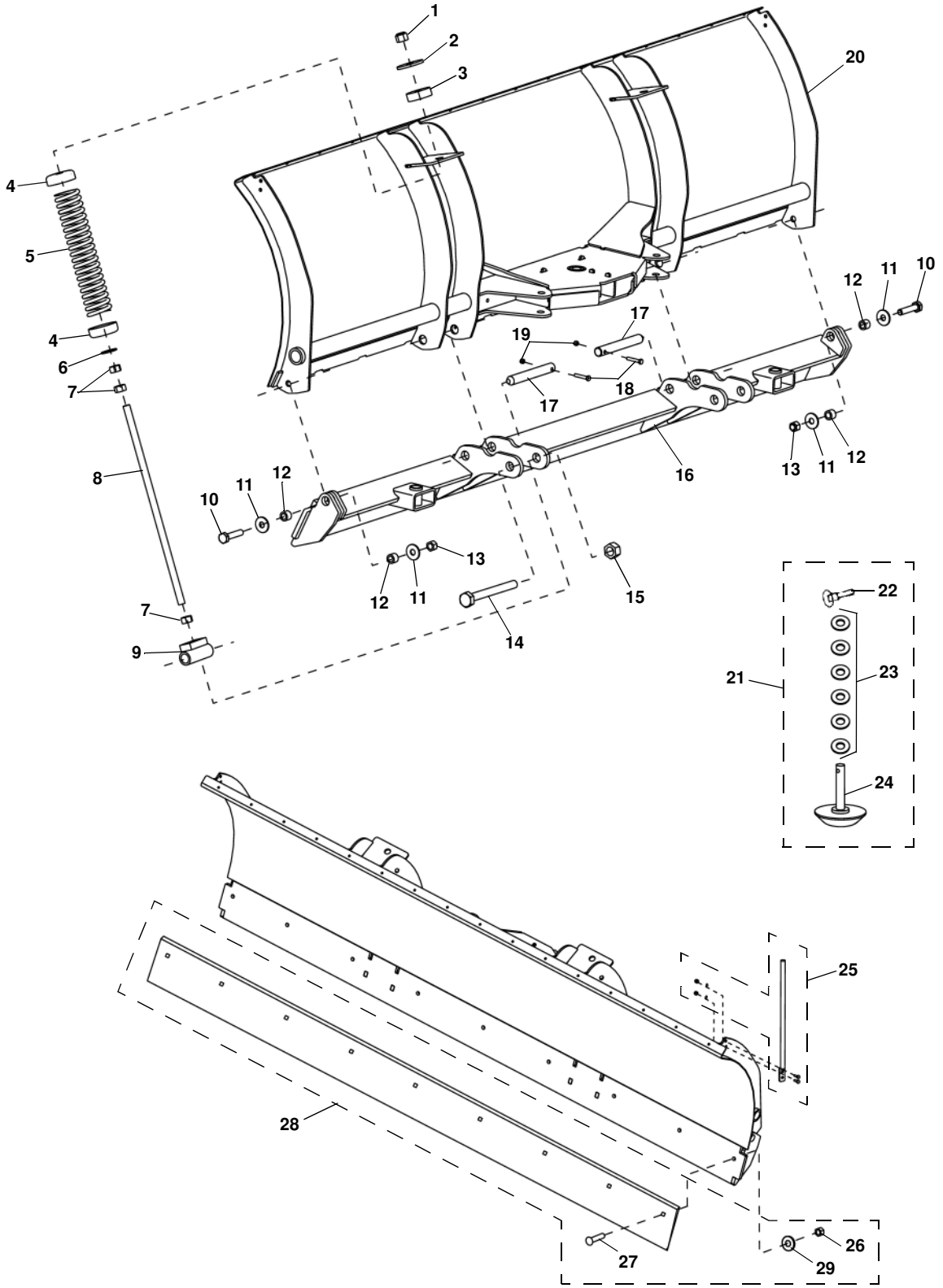
FRAME - 29THDSKD



FRAME - 29THDSKD

ITEM	PART NO.	DESCRIPTION	QTY
1	96106218	Kit, Hose	1
2	96106322	ASSY, Hose	1
3		Adapter, Skid Steer (see page 19 for applications).....	1
4	96106279	Roughing Strips, Anti-Slip	2
5	98009114	HHCS, 1/2"-13 x 6"	2
6	98100176	PW, 1/2", Special Hardened	4
7	96110365	Spacer.....	8
8	98009013	LN, 1/2"-13.....	4
9	96106194	Link, Lift	4
10	97100914	Decal, Floating Link Caution.....	2
11	98009085	COTP, 5/32" x 1-1/2"	8
12	98009030	PW, 3/4"	4
13	98100165	CLP, 3/4" x 2-1/2".....	2
14	96106221	Fitting, Orifice (used on left Angle Cylinder only).....	1
15	96100001	Fitting, Elbow (used on right Angle Cylinder only)	1
16	96106078	Cylinder, Angle.....	2
17	98100040	CLP, 3/4" x 3"	4
18	96106257	A-Frame.....	1
19	98100420	HHCS, 1"-14 x 8-1/2"	1
20	98100294	LN, 1"-14.....	1
21	97100876	Decal, Warning, Pinch Point	2
22	96106275	ASSY, Cross Over Relief (see page 18 for detail)	1
23	98009067	HHCS, 1/4"-20 x 2-1/2"	2
24	98100255	LN, 1/4"-20.....	2

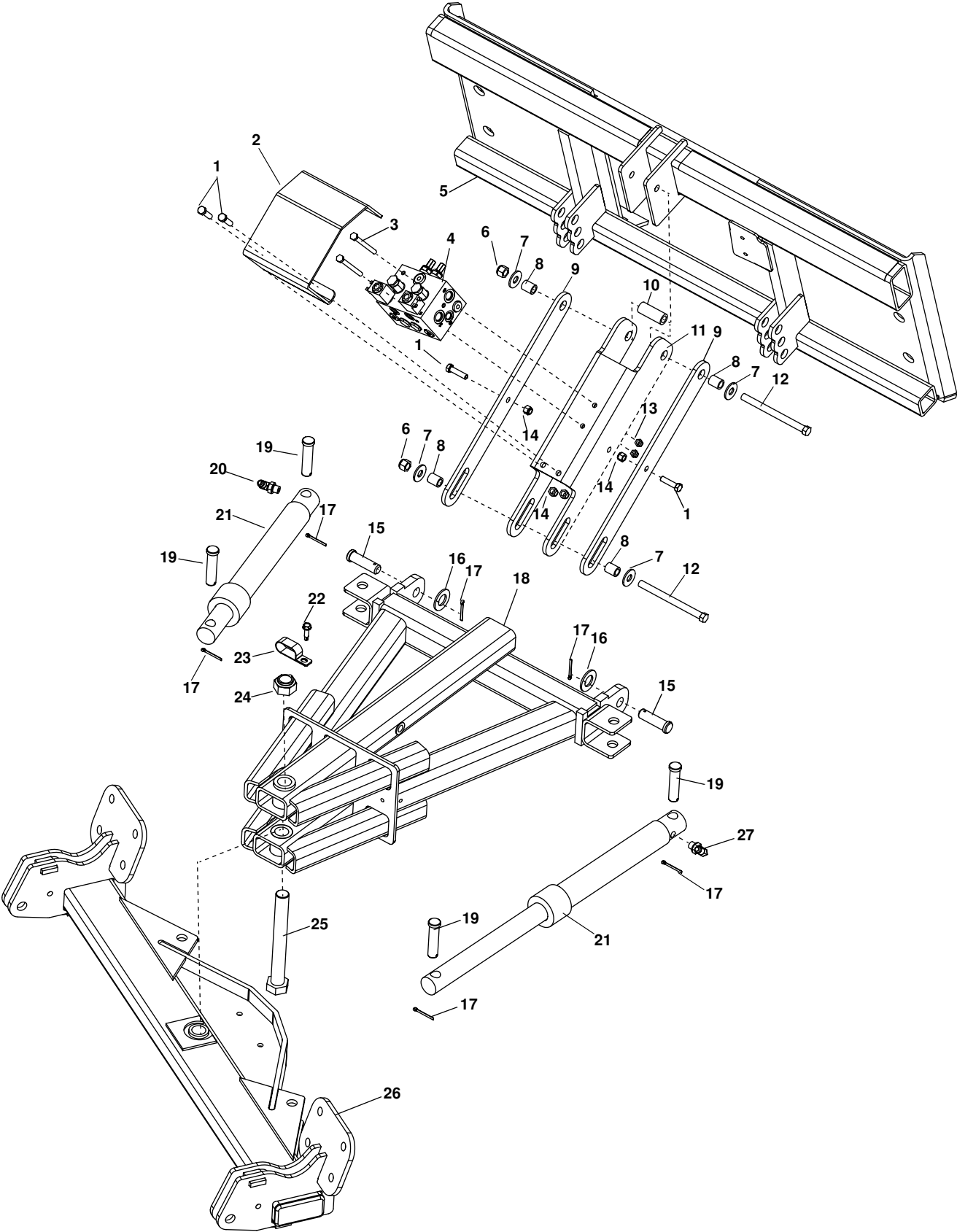
BLADES - 29THDSKD



BLADES - 29THDSKD

ITEM	PART NO.	DESCRIPTION	QTY
1	98009003	LN, 3/4"-10, Nylon Insert	2
2	96114677	Plate, Bumper Stop.....	2
3	96108497	Stop, TEB.....	2
4	96107374	Cup, Formed.....	4
5	97107208	Spring, Trip, 29THD	2
6	98009030	PW, 3/4".....	2
7	98009075	HN, 3/4"	6
8	96107673	Rod, Threaded.....	2
9	96107365	Saddle Weldment	2
10	98009217	HHCS, 5/8"-11 x 3"	2
11	98009039	PW, 5/8".....	4
12	96114723	Bushing, 29THD	4
13	98009038	LN, 5/8"-11, Nylon Insert.....	4
14	98100474	HHCS, 1"-8 x 7"	2
15	98009053	LN, 1"-8, Nylon Insert	2
16		Wear Strip Weldment, 90", 29THD	1
		Wear Strip Weldment, 96", 29THD	1
17	96114812	Pin, Main Trip.....	2
18	98100115	HHCS, SS, 5/16"-18 x 1-3/4"	2
19	98100118	LN, 5/16"-18, Nylon Insert, SS.....	2
20		Blade, 90", 29THD	1
		Blade, 96", 29THD	1
21	96114885	ASSY, Shoe, 29THD.....	2
22		Pin, Lynch, 1/4" x 1-3/4".....	2
23		PW, 1"	12
24		Shoe, Cast, 1" Shaft	2
25	96112352	Kit, Blade Guide, Yellow (Includes 2 Guides and Mounting Hardware).....	1
26	98009013	LN, 1/2"-13, Nylon Insert	9
27	98009099	CB, 1/2"-13 x 2"	9
28	96112726	Kit, Wearstrip, Steel, 90", 3/8".....	1
	96113054	Kit, Wearstrip, Steel, 90", 1/2" (Optional Accessory)	1
	96112727	Kit, Wearstrip, Steel, 96", 3/8".....	1
	96113055	Kit, Wearstrip, Steel, 96", 1/2" (Optional Accessory)	1
29	98100176	PW, 1/2", Hardened	9

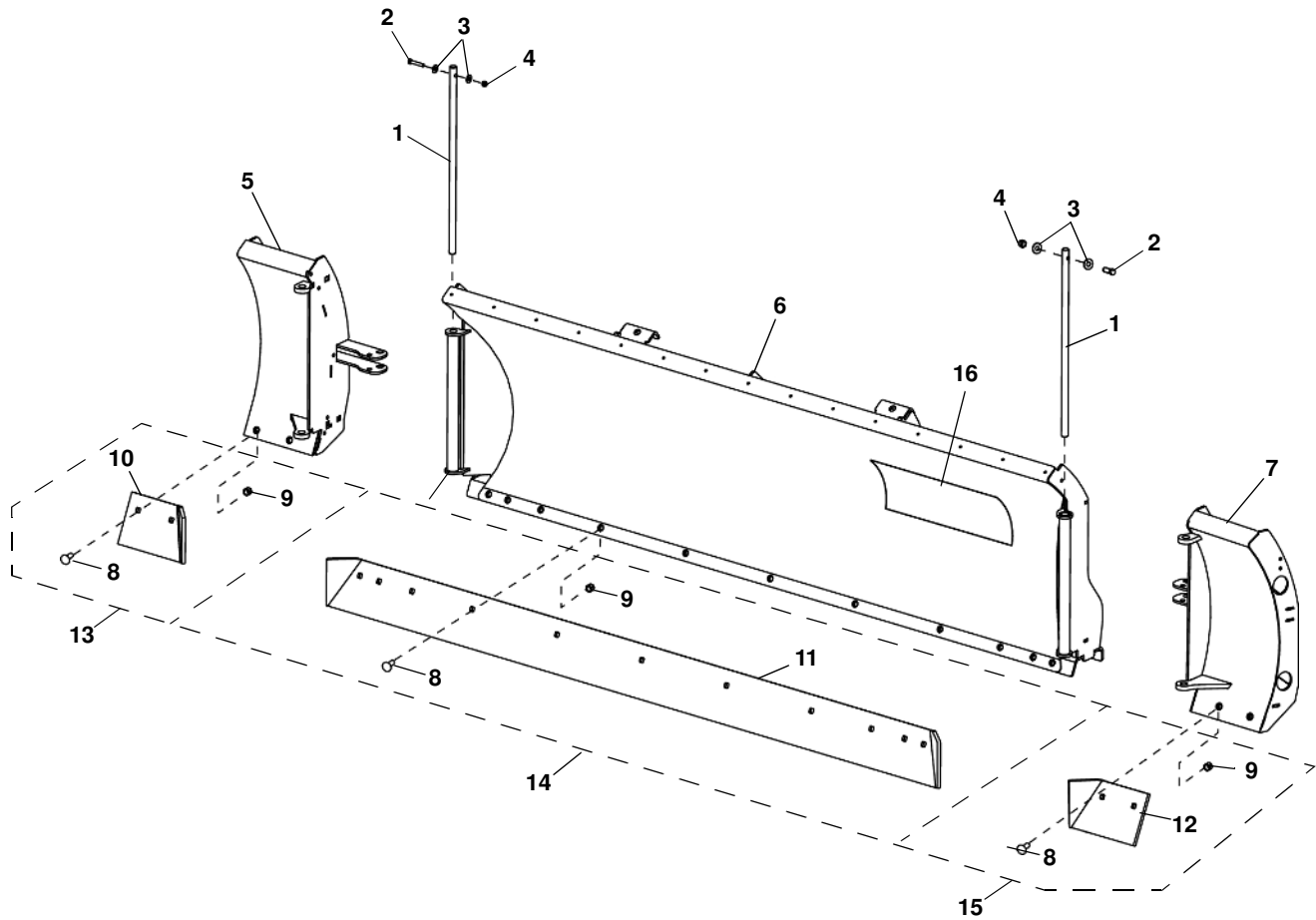
FRAME - 29RSKD



FRAME - 29RSKD

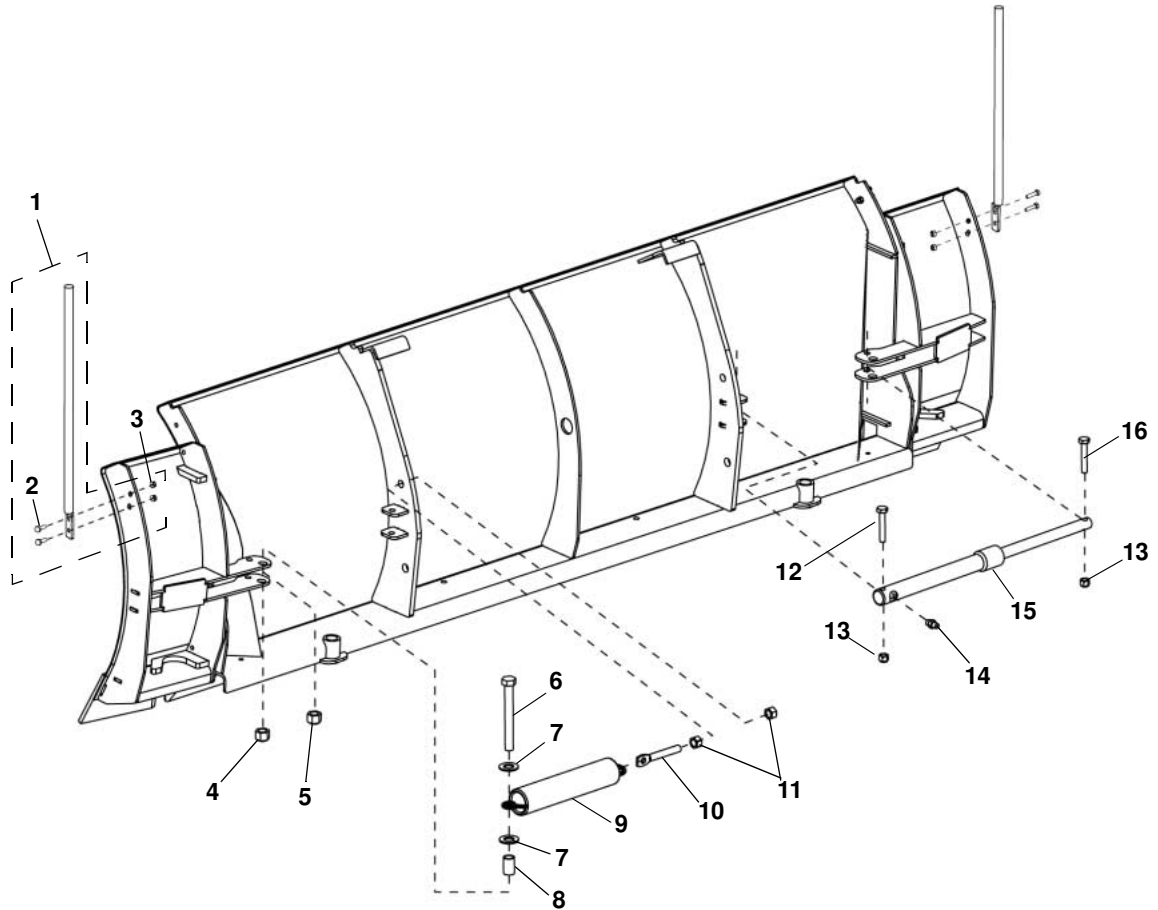
ITEM	PART NO.	DESCRIPTION	QTY
1	98009256	HHCS, 3/8"-16 X 1-1/2"	4
2	96116621	Cover Assembly, RSKD (Includes Grip Strip)	1
3	98100327	HHCS, 5/16"-18 X 4.0", GR 5	2
4		Valve Block Assembly, 29RSKD	1
5		Adapter, Skid Steer (see page 19 for applications).....	1
6	98009013	LN, 1/2"-13.....	4
7	98100176	PW, 1/2", Special Hardened	4
8	96116103	Spacer.....	4
9	96106194	Link, Lift	4
10	96115641	Spacer.....	1
11	96116105	Bracket Link, 29RSKD	1
12	98009114	HHCS 1/2"-13 x 6"	2
13	98009150	LN, 5/16"-18, Nylon Insert, ZP/DT	4
14	98009009	LN, 3/8"-16.....	4
15	98100165	CLP, 3/4" x 2-1/2".....	2
16	98009030	PW, 3/4"	4
17	98009085	COTP, 5/32" x 1-1/2"	6
18	96109865	A-Frame.....	1
19	98100040	CLP, 3/4" X 3"	4
20	96100001	Fitting, Orifice (used on right Angle Cylinder only)	1
21	96106078	Cylinder, Angle.....	2
22	98100386	HWH, 5/16" x 1-1/4" TEK3, Zinc.....	1
23	96112500	Clamp, Hydraulic Hose	1
24	98100294	LN, 1"-14.....	1
25	98100420	HHCS, 1"-14 x 8-1/2"	1
26	96105457	Frame, Swing, 29/32SKD	1
27	96106221	Fitting, Elbow (used on left Angle Cylinder only)	1

BLADE - 29RSKD (FRONT)



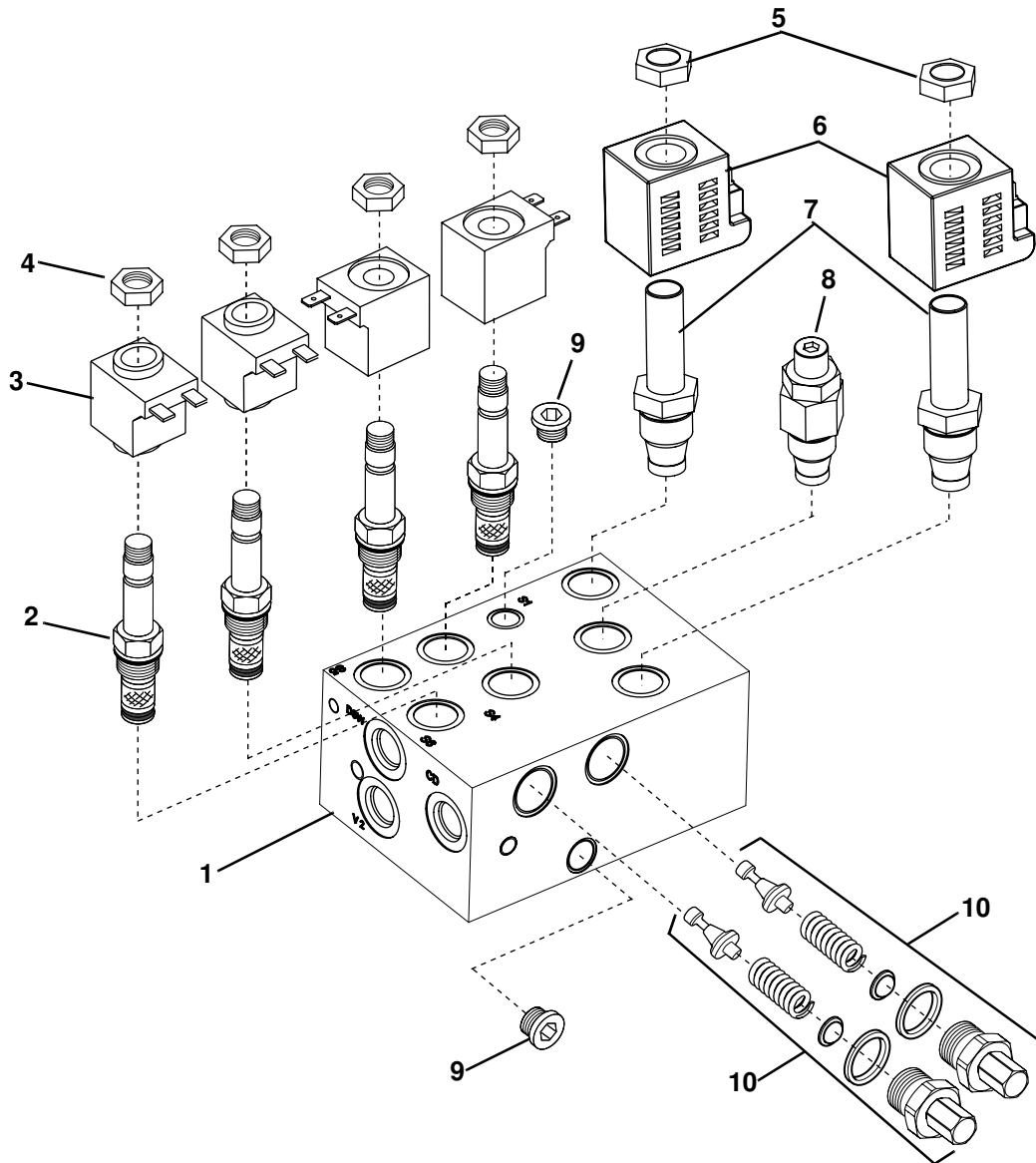
ITEM	PART NO.	DESCRIPTION	QTY
1	96113184	Rod, 29R	2
2	98100115	HHCS, 5/16"-18 x 1-3/4", SS.....	2
3	98100123	PW, 5/16", A Wide, SS	4
4	98100118	LN, 5/16"-18, Nylon Insert, SS	2
5	96113240	Weldment, 29R, 10" PS	1
6	96113170	Blade, 29R	1
7	96113235	Weldment, 29R, 10", DS	1
8	98100481	CB, 1/2"-13 x 1-3/4"	15
9	98009013	LN, 1/2"-13, Nylon Insert	15
10		Wearstrip, 29R, 3/8", PS	1
		Wearstrip, 29R, 1/2", PS	1
11		Wearstrip, Main Blade, 29R, 3/8"	1
		Wearstrip, Main Blade, 29R, 1/2"	1
12		Wearstrip, 29R, 3/8", DS	1
		Wearstrip, 29R, 1/2", DS	1
13	96113323	Kit, Wearstrip, 3/8", PS (Includes Items #8, 9, 10)	1
	96114422	Kit, Wearstrip, 1/2", PS (Includes Items #8, 9, 10)	1
14	96113321	Kit, Wearstrip, 3/8", Main (Includes Items #8, 9, 11)	1
	96114423	Kit, Wearstrip, 1/2", Main (Includes Items #8, 9, 11)	1
15	96113322	Kit, Wearstrip, 3/8", DS (Includes Items #8, 9, 12)	1
	96114421	Kit, Wearstrip, 1/2", DS (Includes Items #8, 9, 12)	1
16	97101835	Decal, Sno-Way	1

BLADE - 29RSKD (REAR) WING FOLD MECHANISM/GUIDES



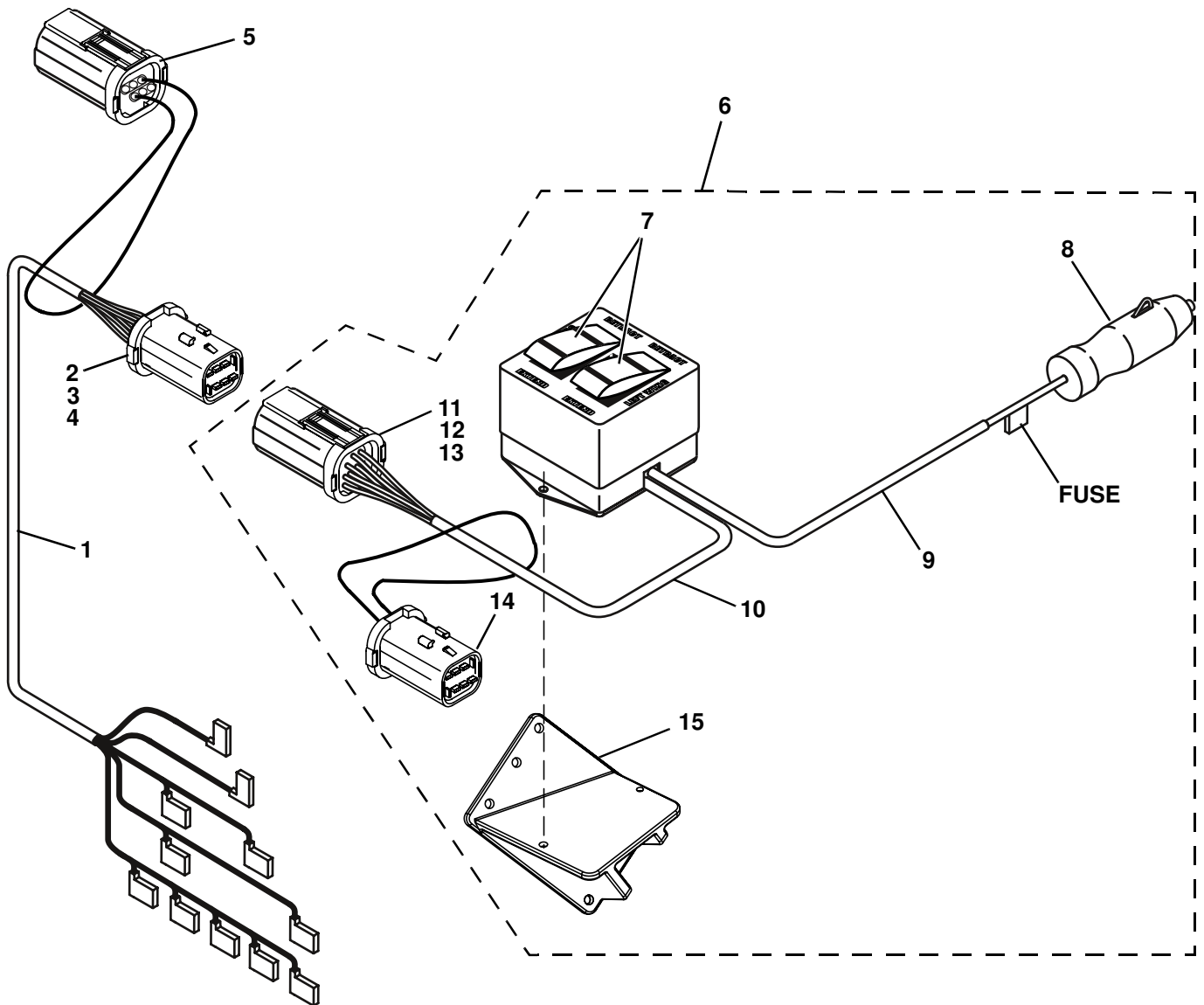
ITEM	PART NO.	DESCRIPTION	QTY
1	96112352	Kit, Blade Guide - Yellow	2
2		HHCS, 5/16"-18 x 1" (Included With Item #1)	2
3		LN, 5/16"-18 (Included With Item #1)	2
4	98009003	LN, 3/4"-10, Nylon Insert	2
5	98009075	HN, 3/4"-10	2
6	98100324	HHCS, 3/4"-10 x 6-1/2"	2
7	98009030	PW, 3/4", A Narrow	4
8	96114343	Tube, Spacer	2
9	96113232	Spring, 29R	2
10	98100457	EB., 5/8"-11 x 4-1/2"	2
11	98009078	HN, 5/8"-11, ZINC	4
12	98009036	HHCS, 1/2"-13 X 3-1/2"	2
13	98009013	LN, 1/2"-13, Nylon Insert	4
14	96100000	Fitting, Straight Connector	2
15	96116278	Cylinder, 26R/29R Wing	2
16	98009017	HHCS, 1/2"-13 x 3"	2

HYDRAULIC VALVE BLOCK ASSEMBLY - 29RSKD



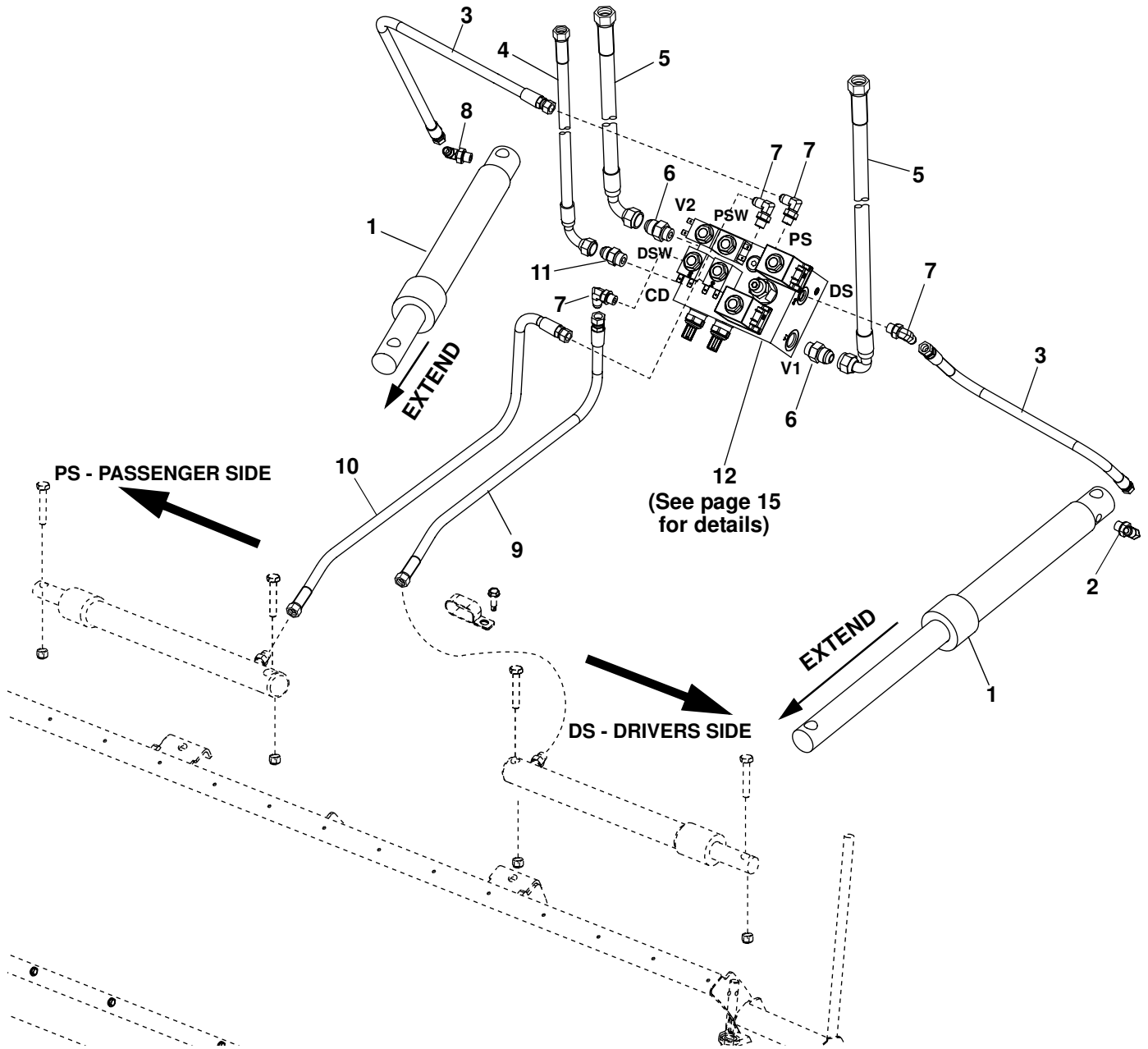
ITEM	PART NO.	DESCRIPTION	QTY
1		Valve Block Assembly, 29RSKD	1
2	96108325	Valve, Cartridge, 2W/2Pos, Normally Closed	4
3	96111171	Coil, Black.....	4
4	96105275	Nut, Coil, #8.....	4
5	96116620	Nut, Coil, #10.....	2
6	96116615	Coil, #10, 1/4 " Male Tab.....	2
7	96116616	Valve, Cartridge, 2W/2P, #10 Normally Opened	2
8	96116618	Valve, Relief (29R), #10, 2400 PSI	1
9		Plug, O-Ring, 9/16"-18, Hex	2
10	96114410	Valve, Relief (29R), Wing, 1400 PSI.....	2

CONTROL SYSTEM WIRING - 29RSKD



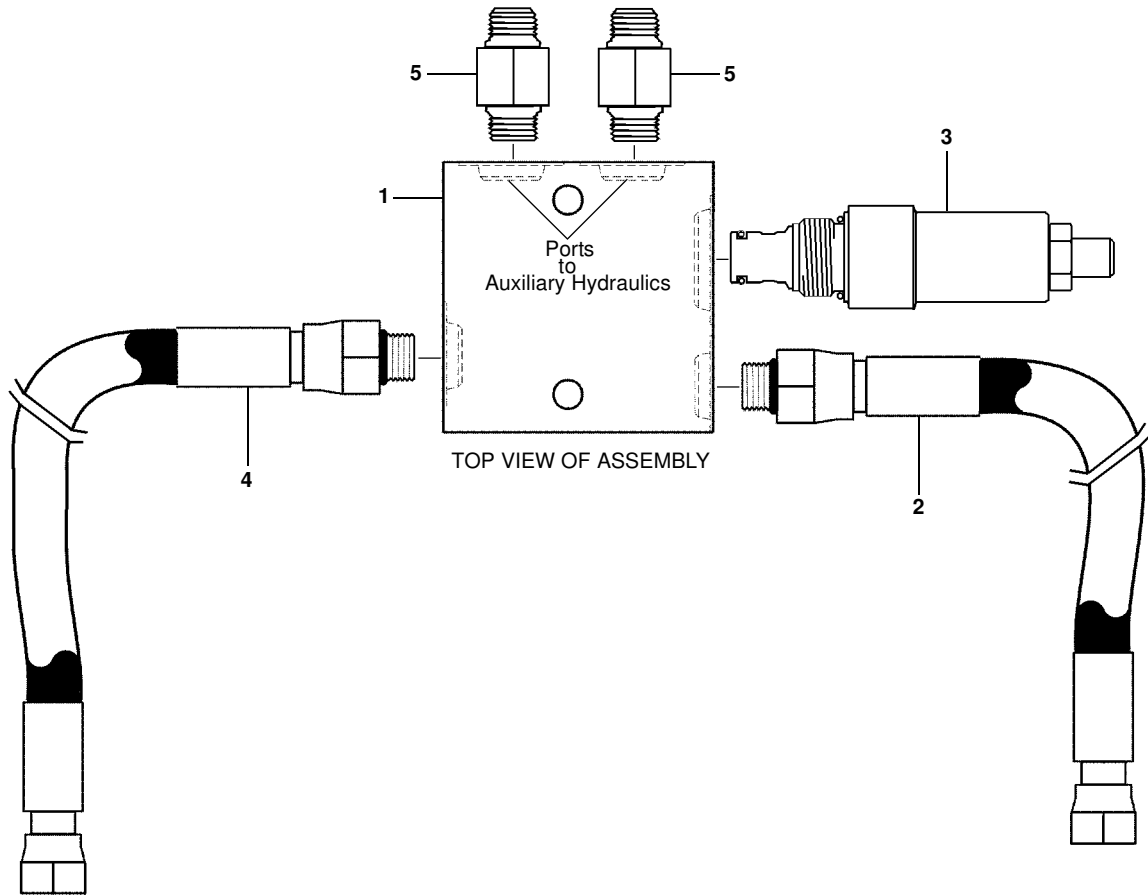
ITEM	PART NO.	DESCRIPTION	QTY
1	96116155	Harness, Main, RSKD/VSKD	1
2	96116158	Connector, Male.....	1
3	96108079	Terminal, Male	5
4	96108142	Plug, Cavity.....	1
5	96116160	Protective Cap, Female	1
6	96116150	Control Box, ON/OFF	1
7	96107113	Switch, ON/OFF.....	2
8		Connector, Aux Power	1
9		Harness, Power Cable.....	1
10		Harness, Control.....	1
11	96116157	Connector, Female	1
12	96108080	Terminal, Female	5
13	96108142	Plug, Cavity.....	1
14	96116159	Protective Cap, Male	1
15	96116559	Bracket, Control.....	1

HYDRAULIC SYSTEM - 29RSKD



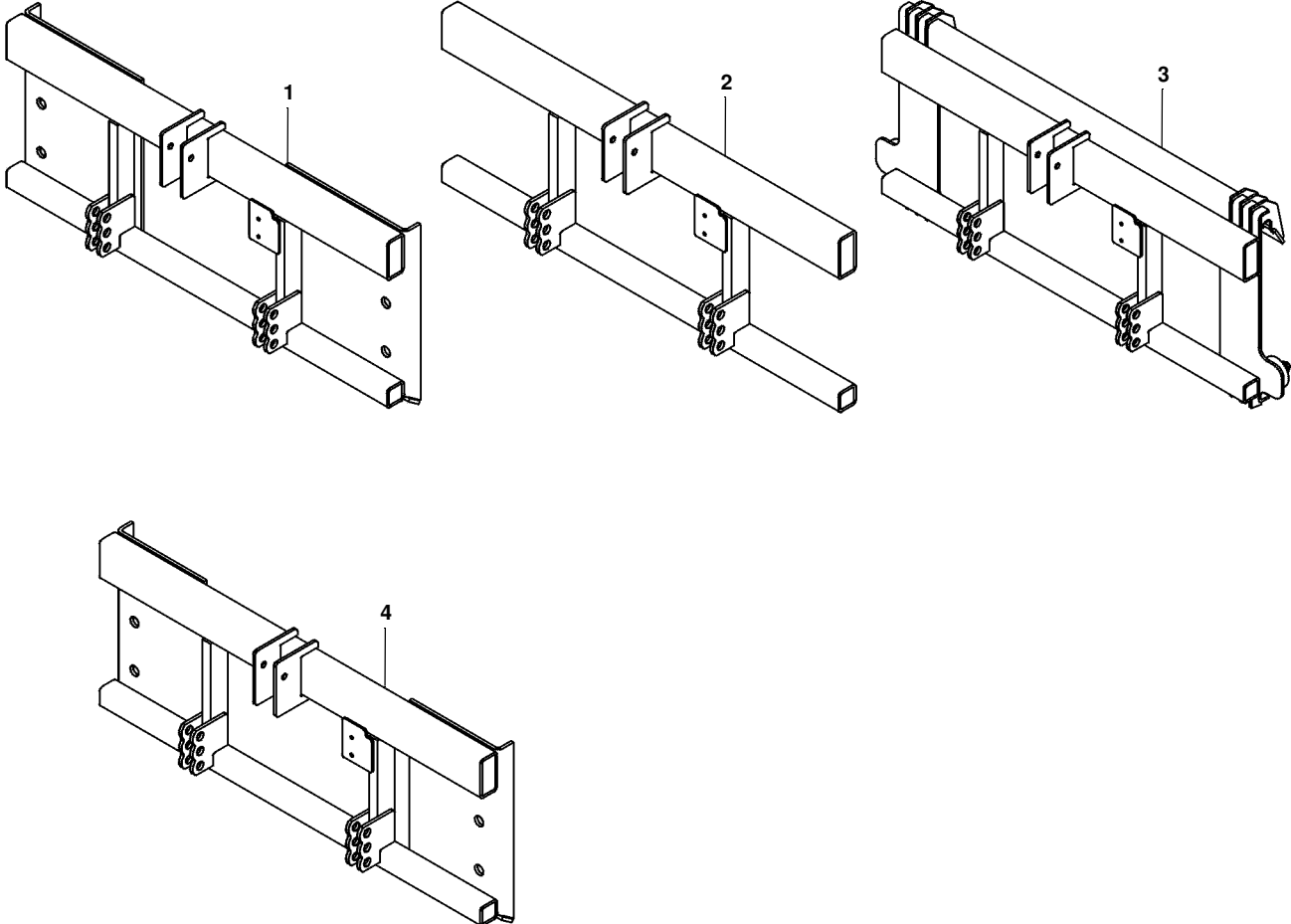
ITEM	PART NO.	DESCRIPTION	QTY
1	96106078	Cylinder, Angle	2
2	96106221	Fitting, Orifice (used on left Angle Cylinder only)	1
3	96113791	Hose, Hydraulic, 27-1/2"	2
4	96115593	Hose, Return	1
5	96115513	Hose, Main Block	2
6	96107721	Fitting, #8 SAE to #10 JIC.....	2
7	96100001	Fitting, Elbow.....	4
8	96100001	Fitting, Elbow (used on right Angle Cylinder only)	1
9	96112920	Hose, Hydraulic, 40"	1
10	96112917	Hose, Hydraulic, 62"	1
11	96115596	Fitting, #8 SAE to #8 JIC.....	1
12		ASSY, Valve Block, 29RSKD (See page 15 for components)	1

CROSS OVER RELIEF - 29SKD and 29THDSKD



ITEM	PART NO.	DESCRIPTION	QTY
1	96106275	ASSY, Cross Over Relief (includes Relief Valve, #3).....	1
2	96106276	Hose, Right Hand Cylinder, 30 in.....	1
3		Valve, Cross Over Relief (Order item #1 - 96106275).....	1
4	96104953	Hose, Left Hand Cylinder, 18 in.	1
5	96100000	Fitting, Straight Connector.....	2

SKID STEER ADAPTERS



ITEM	PART NO.	DESCRIPTION	QTY
1	96109850	Case Adapter Mount - Universal Adapter Mount (fits most Skid Steers).....	1
2	96106834	Universal Blank Structure "H-Bracket"	1
3	96107078	John Deere 400 Adapter Mount	1
4	96106835	Cat 902 Adapter Mount	1

NUMERICAL INDEX

PART NO.	PAGE	ITEM	PART NO.	PAGE	ITEM	PART NO.	PAGE	ITEM
96001392	4	26	96108142	16	4	96116559	16	15
96100000	14	14		16	13	96116615	15	6
	18	5	96108325	15	2	96116616	15	7
96100001	4	15	96108497	10	3	96116618	15	8
	8	15	96109850	19	1	96116620	15	5
	12	20	96109865	12	18	96116621	12	2
	17	7	96110365	4	7	97100876	4	29
	17	8		8	7		8	21
96102542	6	12	96111171	15	3	97100879	6	7
96104953	18	4	96112352	6	1	97100914	4	10
96105275	15	4		10	25		8	10
96105457	4	20		14	1	97101835	6	4
	12	26	96112500	12	23		13	16
96106078	4	16	96112726	6	8	97107208	10	5
	8	16		10	28	98009003	10	1
	12	21	96112727	6	8		14	4
	17	1		10	28	98009005	6	15
96106194	4	9	96112917	17	10	98009009	4	23
	8	9	96112920	17	9		12	14
	12	9	96113054	6	8	98009013	4	8
96106218	4	1		10	28		6	9
	8	1	96113055	6	8		8	8
96106221	4	14		10	28		10	26
	8	14	96113170	13	6		12	6
	12	27	96113184	13	1		13	9
	17	2	96113232	14	9		14	13
96106257	4	18	96113235	13	7	98009017	14	16
	8	18	96113240	13	5	98009030	4	12
96106275	4	31	96113321	13	14		8	12
	8	22	96113322	13	15		10	6
	18	1	96113323	13	13		12	16
96106276	18	2	96113791	17	3		14	7
96106279	4	4	96114343	14	8	98009036	14	12
	8	4	96114410	15	10	98009037	4	27
96106322	4	2	96114421	13	15	98009038	10	13
	8	2	96114422	13	13	98009039	10	11
96106663	6	5	96114423	13	14	98009053	10	15
96106664	6	5	96114677	10	2	98009067	4	30
96106665	6	6	96114723	10	12		8	23
96106666	6	6	96114812	10	17	98009075	10	7
96106667	6	6	96114885	10	21		14	5
96106834	19	2	96115513	17	5	98009078	4	25
96106835	19	4	96115593	17	4		14	11
96107078	19	3	96115596	17	11	98009085	4	11
96107113	16	7	96115641	12	10		8	11
96107332	6	6	96116103	12	8		12	17
96107365	10	9	96116105	12	11	98009099	6	11
96107374	10	4	96116150	16	6		10	27
96107395	4	22	96116155	16	1	98009114	4	5
96107396	4	22	96116157	16	11		8	5
96107673	10	8	96116158	16	2		12	12
96107721	17	6	96116159	16	14	98009134	4	21
96108079	16	3	96116160	16	5	98009150	12	13
96108080	16	12	96116278	14	15	98009169	6	16

NUMERICAL INDEX

PART NO.	PAGE	ITEM
98009217	10	10
98009256	12	1
98100040	4	17
	8	17
	12	19
98100115	10	18
	13	2
98100118	10	19
	13	4
98100123	13	3
98100165	4	13
	8	13
	12	15
98100176	4	6
	6	10
	8	6
	10	29
	12	7
98100255	4	32
	8	24
98100294	4	28
	8	20
	12	24
98100315	4	24
98100324	14	6
98100327	12	3
98100386	12	22
98100420	4	19
	8	19
	12	25
98100457	14	10
98100474	10	14
98100481	13	8

PART NO.	PAGE	ITEM
----------	------	------

PART NO.	PAGE	ITEM
----------	------	------

SNO-WAY[®] INTERNATIONAL, INC.

SNO-WAY[®]
SNOW & ICE CONTROL EQUIPMENT

Hartford, WI 53027 USA
Website: www.snoway.com
©2017 Sno-Way[®] International

DEALER PRE DELIVERY CHECKLIST

The following inspections **MUST** be accomplished prior to delivering the snowplow to the customer. Place an X in the box after accomplishing each item on the checklist.

CHECK THAT:

- Parts have not been damaged in shipment. Repair or replace items that are loose, dented or missing.
- All decals are in place.
- All pivot pins and cotters are installed and secure.
- Trip springs are adjusted.
- Disk Shoe assemblies are installed and adjusted.

Start the vehicle engine and place an X in the box after accomplishing each item on the checklist.

CHECK THAT:

- Cylinders, hoses and fittings **DO NOT** leak.
- Blade swings.
- No abnormal noises or vibrations are present; Repair or replace as necessary.

DELIVERY CHECKLIST

The following checklist is to be accomplished with the customer present, Place an X in the box after accomplishing each item on the checklist.

- After giving the Customer his Owner's Manual, instruct him to read it **PRIOR** to operating the Snow Plow. If he has any questions or does not understand part(s) of the Manual, ask him to contact the Dealer for answers or explanations **BEFORE** operating the unit.
- Record the Serial Numbers, Date of Purchase, Purchaser's Name and Address, and the Dealers Name, Address and Phone Number in the space provided on Page 1 of the Owner's Manual.
- Explain connect and disconnect procedures.
- Explain the necessity of Disk Shoe usage at all times to ensure optimum plow performance.
- Fill out Warranty Registration Card and mail COPY 1 to the factory to validate Warranty. NO Warranty claims can be honored if the Warranty Card is not on file at the factory.**

97102057A

SNO-WAY® INTERNATIONAL, INC.

SNO-WAY
SNOW & ICE CONTROL EQUIPMENT

Hartford, WI 53027 USA
Website: www.snoway.com
©2017 Sno-Way® International