

SNO-WAY[®]

SNOW & ICE CONTROL EQUIPMENT

INSTALLATION MANUAL

SWS 30 - 30 Gallon Auxiliary Tank

FOR RVB1500, 2000, 2500 SPREADERS

Sno-Way[®], Down Pressure[®] and EIS[®] are registered trademarks of Sno-Way International, Inc.
ProControl[™], MegaBlade[™], V-Wing[™], E-Z Switch[™], Revolution[™], MaxAdjust[™], SpeedLock[™], and
QuickJack[™] are trademarks of Sno-Way International, Inc.

©2017 Sno-Way[®] International

97102100A

TABLE OF CONTENTS

	Page
INTRODUCTION	2
SAFETY	3
INSTALLATION INSTRUCTIONS	4
Attaching Supply Hose.....	4
Mounting Tank.....	4
Splicing Into Pump Supply Hose.....	5
TORQUE SPECIFICATIONS	6

INTRODUCTION

This manual was written for the installation of your new Sno-Way SWS 30 - 30 Gallon Auxiliary Tank. Most importantly, this manual provides an operating plan for safe use. Refer to the Table of Contents for an outline of this manual.

Please keep this manual with your machine at all times as reference material and so it can be passed on to the next owner if the machine is sold.

We require that you read and understand the contents of this manual COMPLETELY, especially the chapter on SAFETY, before attempting any procedure contained in this manual.



The Society of Automotive Engineers has adopted this SAFETY ALERT SYMBOL to pinpoint characteristics that, if NOT carefully followed, can create a safety hazard. When you see this symbol in this manual or on the machine itself, BE ALERT!, your personal safety and the safety of others, is involved.

• Defined in the next column, are the SAFETY ALERT messages and how they will appear in this manual.

NOTE: Additional information concerning the equipment or the procedure that may or may not be contained elsewhere in this manual.


BE AWARE! It is illegal to remove, deface or otherwise alter the safety decals mounted on this equipment.

We reserve the right to make changes or improve the design or construction of any part(s) without incurring the obligation to install such parts or make any changes on any unit previously delivered.

Graphics and illustrations may be used which may show equipment and/or options not included in every installation without incurring the obligation to install such parts or make changes on units previously delivered.

Sno-Way Service Parts Manuals are available on-line or at your authorized Sno-Way dealer. Request part number 97102001 for the SWS 30 - 30 Gallon Auxiliary Tank. Factory contact information is available at www.snoway.com.

	WARNING
FAILURE TO FOLLOW CAN RESULT IN DEATH OR INJURY.	

	CAUTION
Information, that if not carefully followed, can cause injury or damage to equipment!	

SAFETY

BEFORE ATTEMPTING ANY PROCEDURE IN THIS BOOK, READ AND UNDERSTAND ALL THE SAFETY INFORMATION CONTAINED IN THIS SECTION. IN ADDITION, ENSURE ALL INDIVIDUALS WORKING WITH YOU ARE ALSO FAMILIAR WITH THESE SAFETY PRECAUTIONS.

For your safety Warning and Information Decals have been placed on this product to remind the operator to take safety precautions. It is important that these decals are in place and are legible before operation begins. New decals can be obtained from Sno-Way or your local dealer.

REMEMBER The careful operator is the best operator. Most accidents are caused by human error. Certain precautions must be observed to prevent the possibility of injury to operator or bystanders and/or damage to equipment.

NEVER operate spreader when under the influence of alcohol, drugs or other medications that could hamper your judgement and reactions. An accident may result in serious injury or death to other persons or yourself.

ALWAYS operate vehicle in a well-ventilated area. The carbon monoxide in exhaust gas is highly toxic and can cause injury or death.

NEVER wear wrist watches, rings or other jewelry when working on the vehicle or individual equipment. These things can catch on moving parts or cause an electrical short circuit that could result in personal injury.

ALWAYS wear safety goggles when working on the vehicle to protect your eyes from battery acid, gasoline, and dust or dirt from flying off of moving engine parts.

ALWAYS wear safety glasses with side shields when striking metal against metal! In addition, it is recommended that a softer (non-chipable) metal material be used to cushion the blow. Failure to heed could result in injury to the eye(s) or other parts of the body.

NEVER allow children or unauthorized person to operate this spreader.

NEVER exceed 45 m.p.h. when loaded spreader is attached to vehicle. Braking distances may be increased and handling characteristics may be impaired at speeds above 45 m.p.h.

ALWAYS lock the vehicle when unattended to prevent unauthorized operation.

ALWAYS check the job site for terrain hazards, obstructions and people.

ALWAYS check surrounding area for hazardous obstacles before operating this unit.

ALWAYS make sure personnel are clear of area being spread. Material is discharged from spreader at a high rate of speed and could injure bystanders.

NEVER work on the vehicle without having a fully serviced fire extinguisher available. A 5 lb or larger CO² or dry chemical unit specified for gasoline, chemical or electrical fires, is recommended.

ALWAYS shut off the vehicle, unplug spreader, place the vehicle transmission in "Park", turn the vehicle and spreader ignition switches to "OFF" position and firmly apply the parking brake of the vehicle before servicing or making any adjustments to the unit.

ALWAYS wait for all movement to stop before servicing or adjusting the Salt Wetting System.

NEVER climb on or allow others to climb on the spreader.

ALWAYS reassemble any parts or hardware removed for cleaning or adjusting before operating the spreader.

ALWAYS remove any tools and other materials from the spreader before operating the spreader

ALWAYS use auxiliary warning lights, except when prohibited by law, when operating the spreader.

NEVER allow hands, hair or clothing to get near any moving part of the spreader. Never wear neckties or loose clothing when working on the spreader or the vehicle.

ALWAYS be aware of and avoid contact with hot surfaces such as engine and exhaust.

ALWAYS inspect the unit periodically for defects. Parts that are broken, missing or plainly worn must be replaced immediately. Never operate the unit when in need of maintenance.

REMEMBER it is the owner's responsibility for communicating information on the safe use and proper maintenance of this machine.

INSTALLATION INSTRUCTIONS

Attaching Supply Hose

1. Locate the 1/2" ID Hose and a Hose Clamp. (See Figure 1-1)

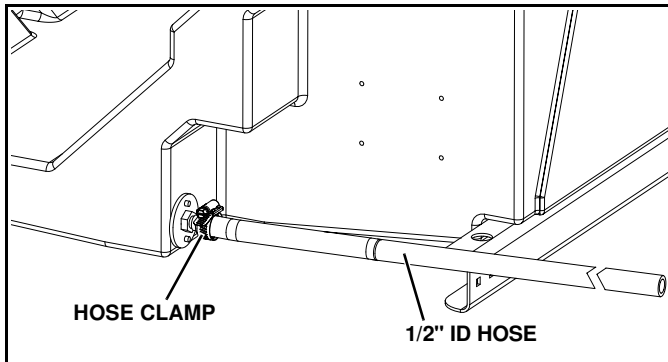


Figure 1-1

2. Push one end of the hose onto the hose barb at the bottom of the tank.
3. Fasten the hose in place with a Hose Clamp.
4. Keep the hose from getting pinched or getting caught under the spreader until it is spliced into the pump supply hose.

Mounting Tank

1. Locate the following parts. (See Figure 1-2)

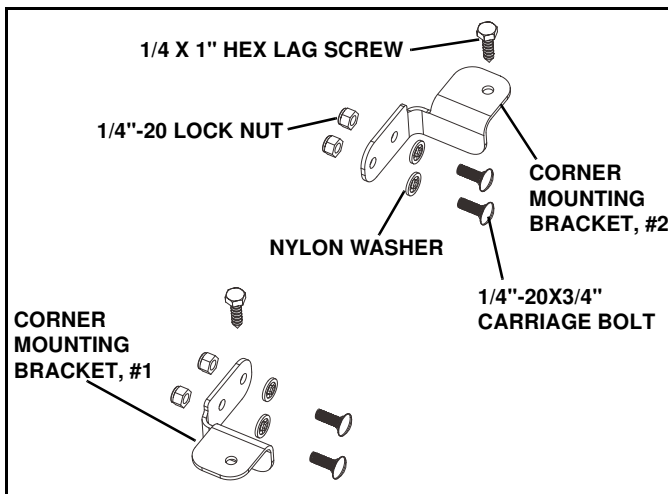


Figure 1-2

Description

- Corner Mounting Bracket, #1
- Corner Mounting Bracket, #2
- Self-Retaining Nylon Washer
- 1/4"-20 x 3/4" Carriage Bolt
- 1/4"-20 Lock Nut
- 1/4"x 1" Hex Lag Screw

Quantity

- 2
- 2
- 8
- 8
- 8
- 4

2. Tip the tank on its front so the bottom is facing you. (See Figure 1-3)

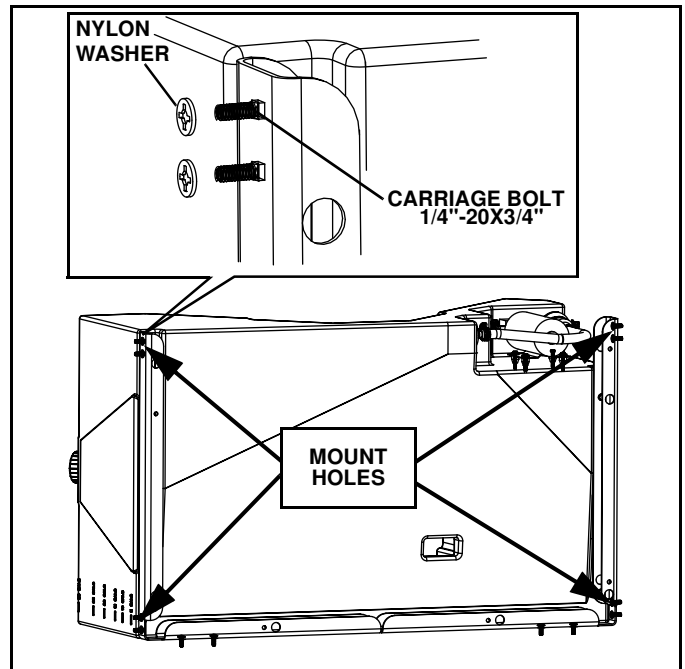


Figure 1-3

3. Insert the 1/4"-20 x 3/4" carriage bolts through the mount holes. Slide the self-retaining nylon washers all the way over the threaded end of the carriage bolts. (See Figure 1-3)
4. Set the tank back down into its upright position.
5. Disconnect all harnesses from the spreader, dismount the chute, and detach the spreader from the truck.



WARNING



Before lifting, check that the hopper is empty of material. The lifting device must be capable of supporting the spreader's weight. See your spreader Owner's Manual for spreader weights.

FAILURE TO HEED CAN RESULT IN INJURY OR DEATH.

6. Attach two lift straps through the top grate to the front and rear spreader cross supports.

IMPORTANT: DO NOT attach the lift straps directly to the top grate. Pass the lift straps through the grate and attach them directly to the front and rear cross support. (See Figure 1-4)

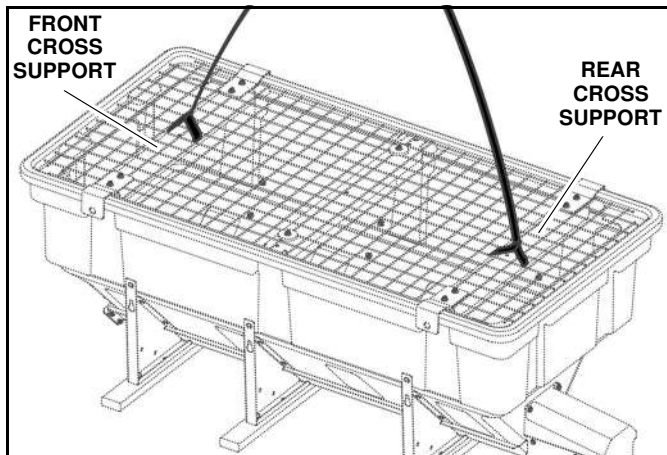


Figure 1-4

7. Attach the free ends of the lift straps to a suitable lifting device and lift the spreader slowly. Maintain the spreader horizontal position as it is lifted.

8. Lift the spreader out from the truck and carefully lower the spreader on top of the SWS. The SWS 30 sets between the legs closest to the chute, while the auxiliary tank sets between the other set of legs.

9. Once set down to the ground, the tank should be free to slide around. Make sure the tank is not pinned down by the spreader or have any wires pinched between the tank and the frame.

10. Place the mounting brackets over the carriage bolts and tighten with the lock nuts.

11. Position the tank so it is centered under the spreader.

12. Screw the hex lag screws into the wooden runners of the spreader. (See Figure 1-5)

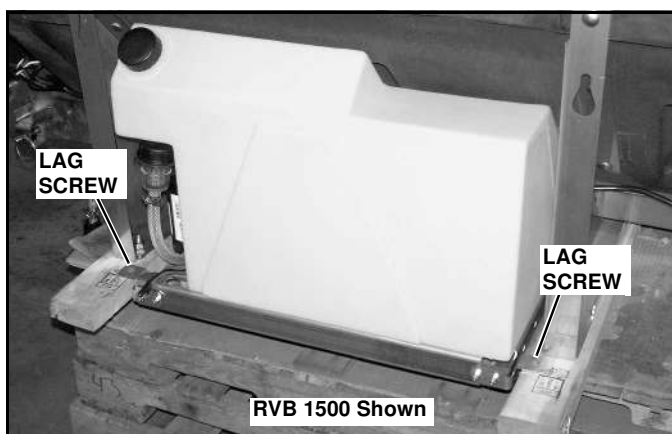


Figure 1-5

Splicing Into Pump Supply Hose

1. Locate the Tee Fitting and three Hose Clamps.

2. Cut the Pump Supply Hose 2-1/2" from the filter. (See Figure 1-6)

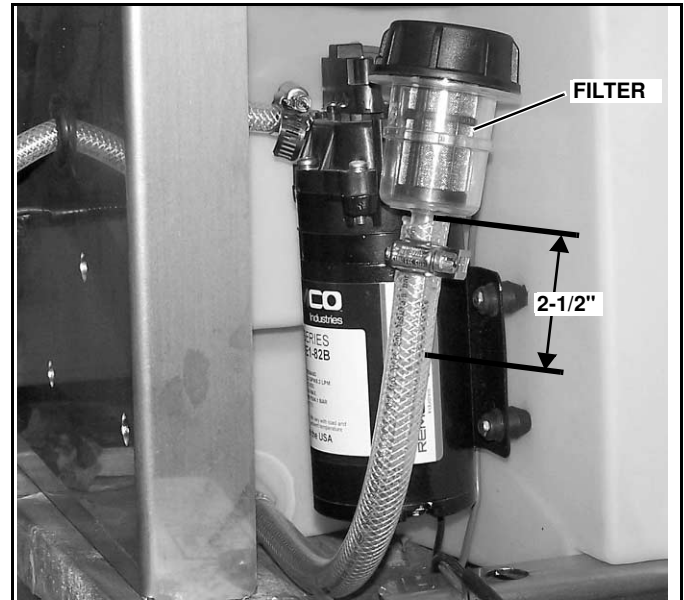


Figure 1-6









3. Insert the Tee Fitting, and fasten all the hose ends to the Tee Fitting with the Hose Clamps. (See Figure 1-7)



Figure 1-7

4. The unit is now ready to be lifted and mounted back onto the truck.

TORQUE SPECIFICATIONS

SAE Grade and Head Markings	1 or 2 No Marks 	5 5.1 5.2 	8 8.2 
SAE Grade and Nut Markings	2 No Marks 	5  	8  

	Grade 1		Grade 2		Grade 5, 5.1 or 5.2		Grade 8 or 8.2	
	Lubricated ^a	Dry ^b	Lubricated ^a	Dry ^b	Lubricated ^a	Dry ^b	Lubricated ^a	Dry ^b
SIZE	lb-ft	lb-ft	lb-ft	lb-ft	lb-ft	lb-ft	lb-ft	lb-ft
8-32			14*	19*	22*	30*	31*	42*
10-24			21*	27*	32*	43*	45*	60*
1/4	2.8	3.5	4.5	5.5	7	9	10	12.5
5/16	5.5	7	9	11	15	18	21	26
3/8	10	13	16	20	26	33	36	46
7/16	16	20	26	32	41	52	58	75
1/2	25	31	39	50	63	80	90	115
9/16	36	45	56	70	90	115	130	160
5/8	50	62	78	100	125	160	160	225
3/4	87	110	140	175	225	280	310	400
7/8	140	175	140	175	360	450	500	650
1	210	270	210	270	540	675	750	975
METRIC COARSE THREAD			Grade 8.8		Grade 10.9		Grade 12.9	
Grade 8.8			Dry	Lubed	Dry	Lubed	Dry	Lubed
M6-1			8	6	11	8	13.5	10
M8-1.25			19	14	27	20	32.5	24
M10-1.5			37.5	28	53	39	64	47
M12-1.75			65	48	91.5	67.5	111.5	82
M14-2			103.5	76.5	145.5	108	176.5	131
M16-2			158.5	117.5	223.5	165.5	271	200

DO NOT use these values if a different torque value or tightening procedure is given for a specific application.

Fasteners should be replaced with the same or higher grade. If higher grade fasteners are used, these should only be tightened to the strength of the original.

^a "Lubricated" means coated with a lubricant such as engine oil, or fasteners with phosphate and oil coatings.

^b "Dry" means plain or zinc plated without any lubrication

* Values with asterisk are in lb-in.

SNO-WAY® INTERNATIONAL, INC.

SNO-WAY
SNOW & ICE CONTROL EQUIPMENT

Hartford, WI 53027 USA
Website: www.snoway.com
©2017 Sno-Way® International