

SNO-WAY[®]

SNOW & ICE CONTROL EQUIPMENT

WIRING DIAGRAM AND INSTALLATION INSTRUCTIONS

**FOR 99101306
ADAPTER KIT**

Sno-Way[®], Down Pressure[®] and EIS[®] are registered trademarks of Sno-Way International, Inc.
ProControl[™], MegaBlade[™], V-Wing[™], E-Z Switch[™], Revolution[™], MaxAdjust[™], SpeedLock[™], and
QuickJack[™] are trademarks of Sno-Way International, Inc.

©2017 Sno-Way[®] International

97102114A

WIRING DIAGRAM



1. THINK SAFETY, ALWAYS WEAR SAFETY GLASSES WHEN PERFORMING THE OPERATIONS PRESCRIBED IN THESE INSTRUCTIONS
2. READ ALL INSTRUCTIONS CAREFULLY BEFORE ATTEMPTING INSTALLATION

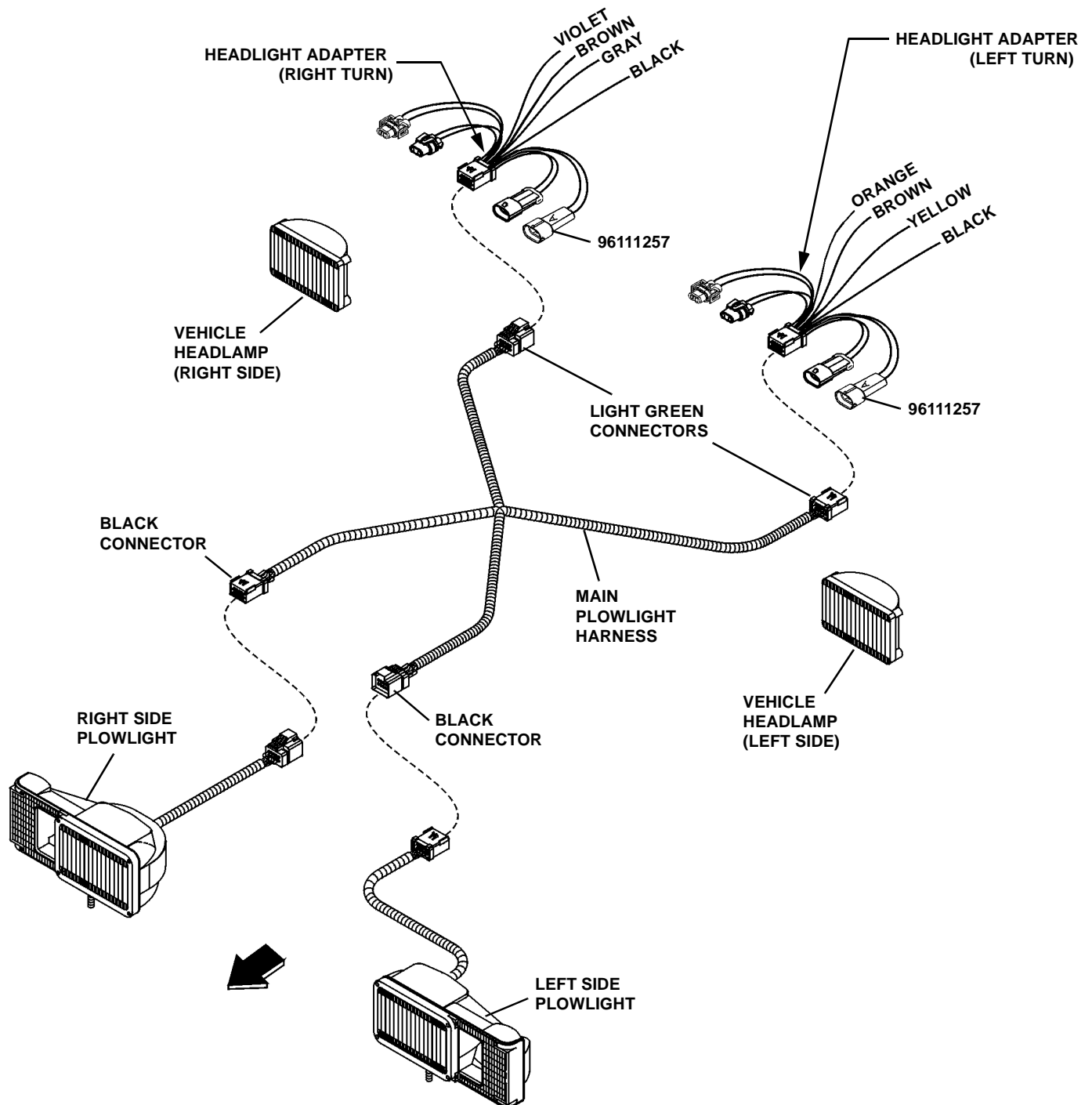


Figure 1

Headlight Adapter Schematic - Female (96116717)

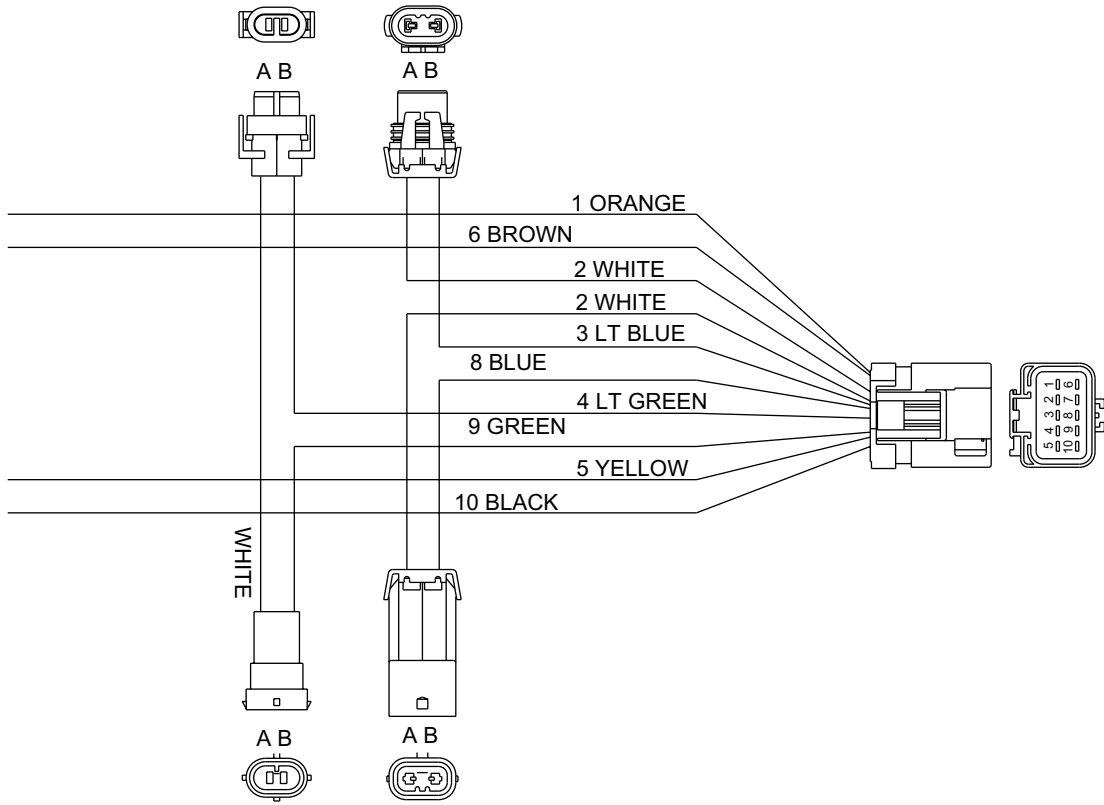


Figure 2

Headlight Adapter Schematic - Male (96116718)

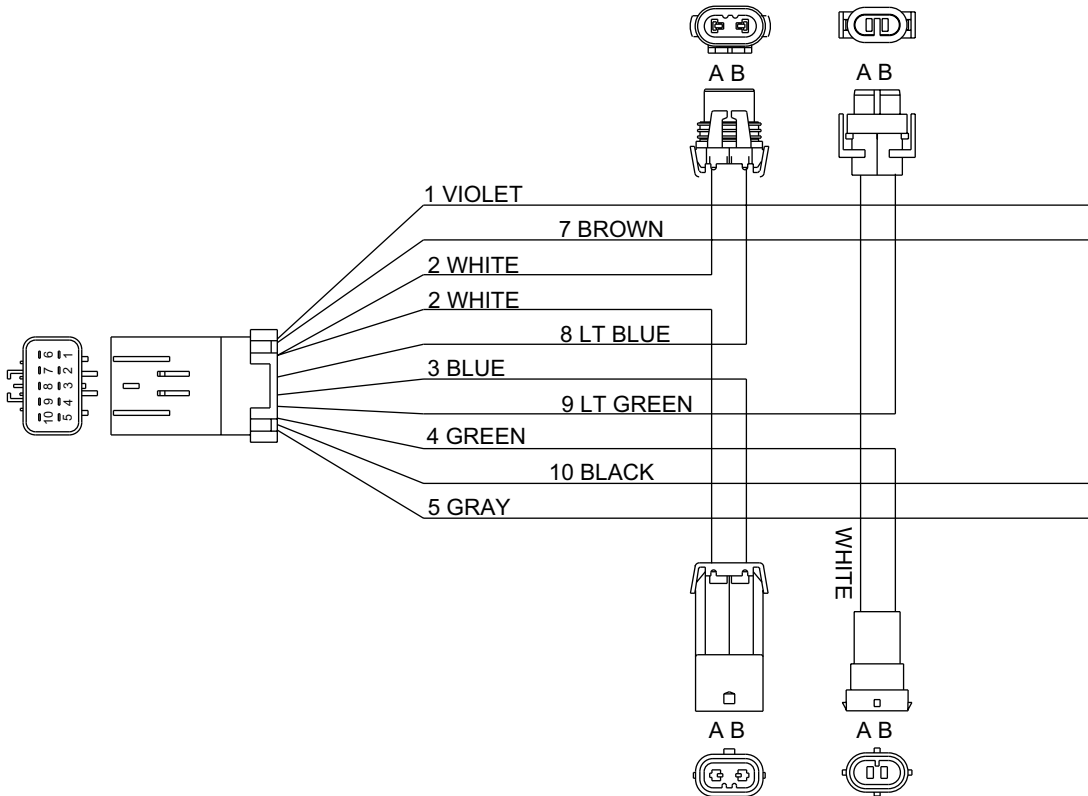


Figure 3

ADAPTER KIT INSTALLATION (Refer to Diagram)



CAUTION

- **THINK SAFETY, ALWAYS WEAR SAFETY GLASSES WHEN PERFORMING THE OPERATIONS PRESCRIBED IN THESE INSTRUCTIONS**
- **READ ALL INSTRUCTIONS CAREFULLY BEFORE ATTEMPTING INSTALLATION**

IMPORTANT: Use a dielectric compound on all connections to prevent corrosion.

1. Disconnect the vehicle headlight electrical connector from the back of the vehicle headlamps.

NOTE: In order to disconnect some vehicle headlight connectors, it may be necessary to remove the headlamp assembly from the front of the vehicle, if the connector is not easily accessible.

2. Plug together the light green connectors on the main harness with the corresponding adapters needed for the vehicle. The drivers' side connections have a yellow wire and the passenger side has a gray wire.

IMPORTANT: The correct adapters must be connected to each side for proper function.

3. On the Driver's Side (Left Turn):

- A. Unplug the high beam and low beam connectors from the vehicle. Meter the feed from the vehicle harness and note the position of the positive and negative feeds. **NOTE: Do not follow the + and – positioning on the connector.** Locate the 96111257 on the print provided. Plug the 96111257 connector into the low beam connector on the vehicle. Ensure the **WHITE** wire connects with the negative feed coming from the vehicle harness. Now take the vehicle high beam connector and plug it into the corresponding connector on the headlight adapter.
- B. Locate the common wire to the left turn/park bulb on the vehicle harness. Using a Scotch-Lock® connector with dielectric compound, splice black headlight adapter wire to the vehicle's common wire.
- C. Locate the left turn signal wire on the vehicle harness. At a suitable distance away from the turn signal connector, cut this wire. Using butt connectors, splice orange headlight adapter wire to this vehicle turn signal wire going to the turn signal lamp, and splice the yellow headlight adapter wire to this vehicle turn signal wire coming from the vehicle harness.

- D. Locate the left park wire on the vehicle harness. Using a Scotch-Lock® connector with dielectric compound, splice brown headlight adapter wire to the vehicle's park wire.

5. On the Passenger Side (Right Turn):

- A. Unplug the high beam and low beam connectors from the vehicle. Meter the feed from the vehicle harness and note the position of the positive and negative feeds. **NOTE: Do not follow the + and – positioning on the connector.** Locate the 96111257 on the print provided. Plug the 96111257 connector into the low beam connector on the vehicle. Ensure the **WHITE** wire connects with the negative feed coming from the vehicle harness. Now take the vehicle high beam connector and plug it into the corresponding connector on the headlight adapter.
- B. Locate the common wire to the right turn/park bulb on the vehicle harness. Using a Scotch-Lock® connector with dielectric compound, splice black headlight adapter wire to the vehicle's common wire.
- C. Locate the right turn signal wire on the vehicle harness. At a suitable distance away from the turn signal connector, cut this wire. Using butt connectors, splice violet headlight adapter wire to this vehicle turn signal wire going to the turn signal lamp, and splice the gray headlight adapter wire to this vehicle turn signal wire coming from the vehicle harness.
- D. Locate the right park wire on the vehicle harness. Using a Scotch-Lock® connector with dielectric compound, splice brown headlight adapter wire to the vehicle's park wire.

5. Place the other end of the main harness on the outside of the grille.
6. Attach the main harness connectors to the right and left plow light headlamps. Turn on the vehicle lights and check operation. Check to make sure the vehicle headlights go out and the plow headlights come on. Check the park and turn signals.
7. If disassembled, reassemble vehicle components.
8. Secure the main harness to a safe location with electricians tape or plastic wire ties. Excess harness length should be neatly coiled and taped, or tied up out of the way.

IMPORTANT: Retain a record of how the vehicle wiring configuration was before alteration in the event snow plow is removed.



CAUTION

Make sure that wire harness is routed away from all moving engine components. Example; fan, belts etc. DO NOT attach wire harness to hoses, radiator AC coils, exhaust manifolds, or control cables.

SNO-WAY® INTERNATIONAL, INC.

SNO-WAY
SNOW & ICE CONTROL EQUIPMENT

Hartford, WI 53027 USA
Website: www.snoway.com
©2017 Sno-Way® International