

SNO-WAY®

SNOW & ICE CONTROL EQUIPMENT

WIRING DIAGRAM AND INSTALLATION INSTRUCTIONS

**FOR 99101327
ADAPTER KIT**

Sno-Way®· Down Pressure® and EIS® are registered trademarks of Sno-Way International, Inc.
ProControl™, MegaBlade™, V-Wing™, E-Z Switch™, Revolution™, MaxAdjust™, SpeedLock™, and
QuickJack™ are trademarks of Sno-Way International, Inc.

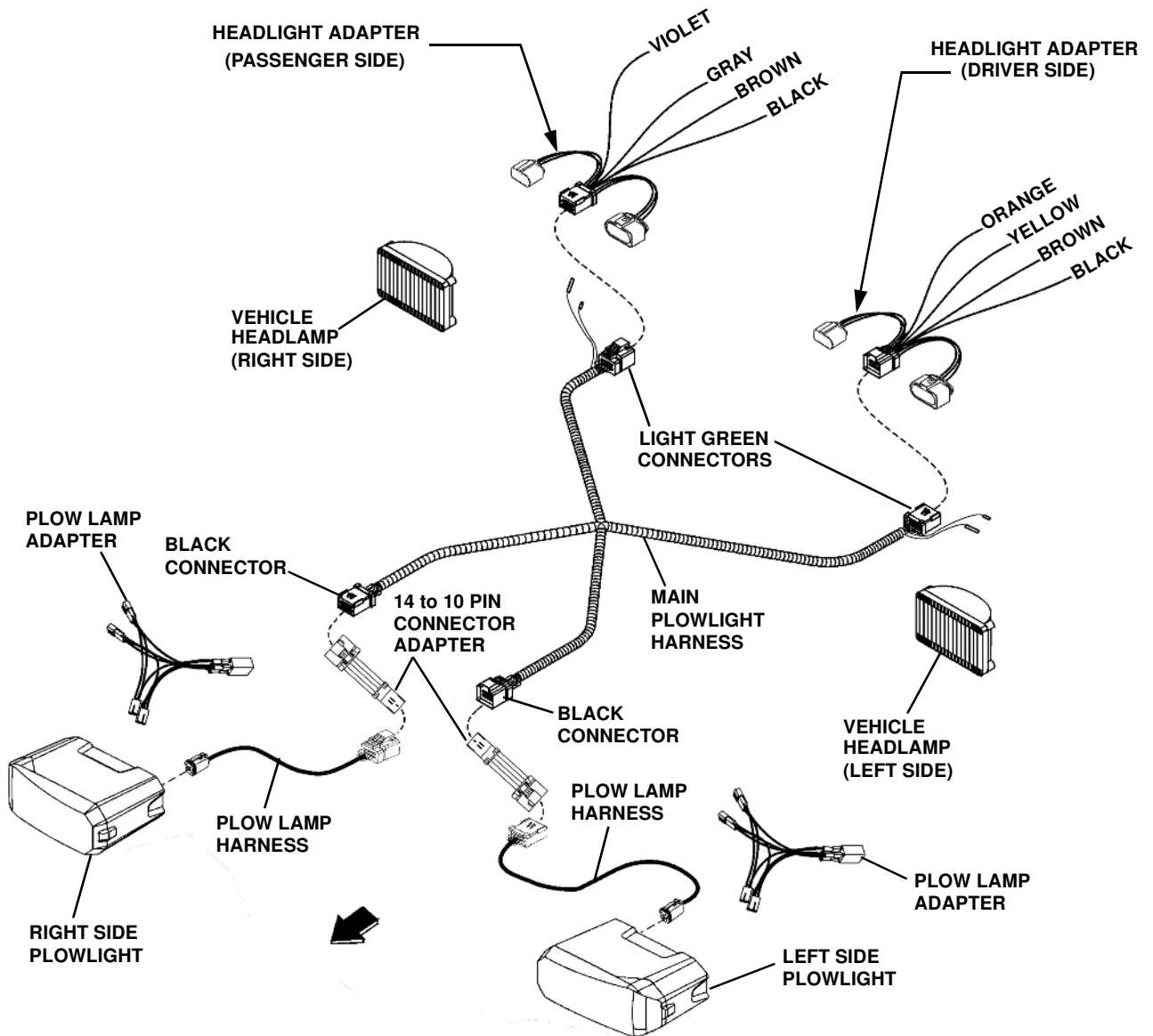
©2018 Sno-Way® International

97102124A

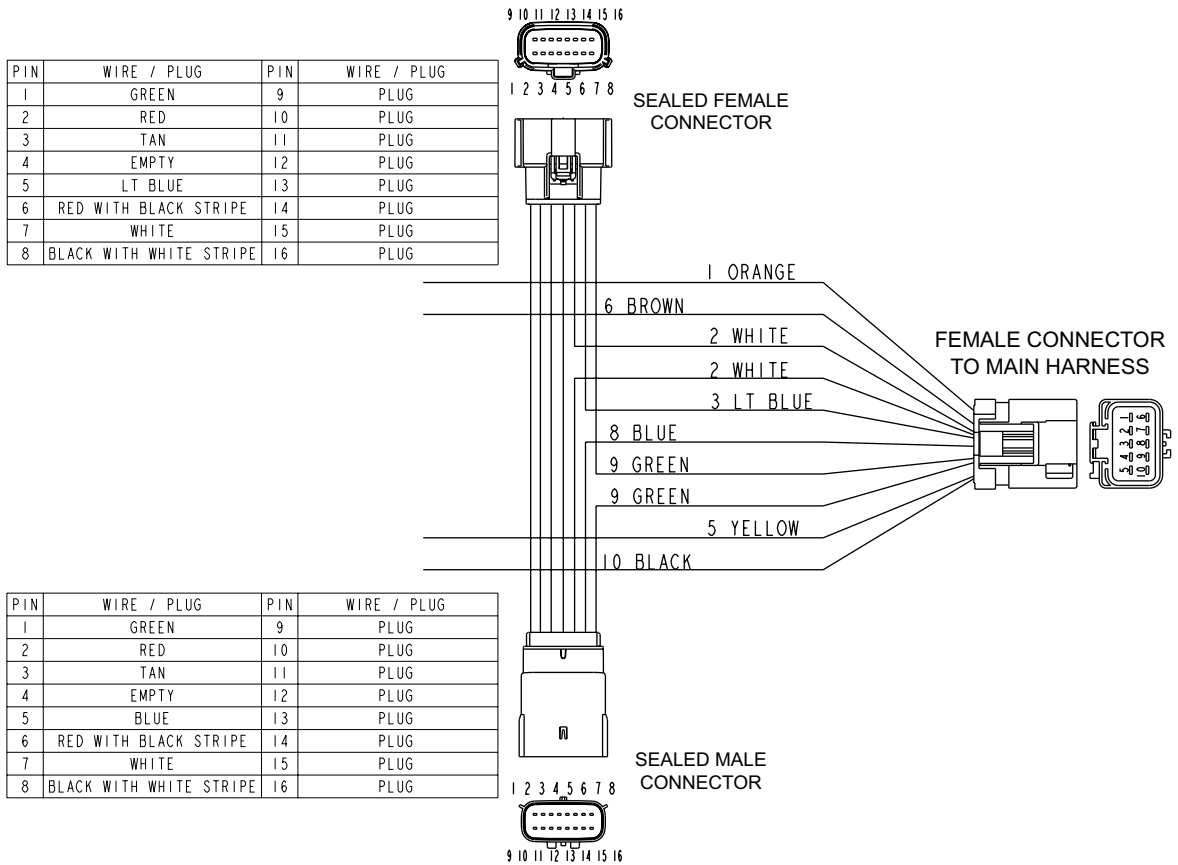
WIRING DIAGRAM



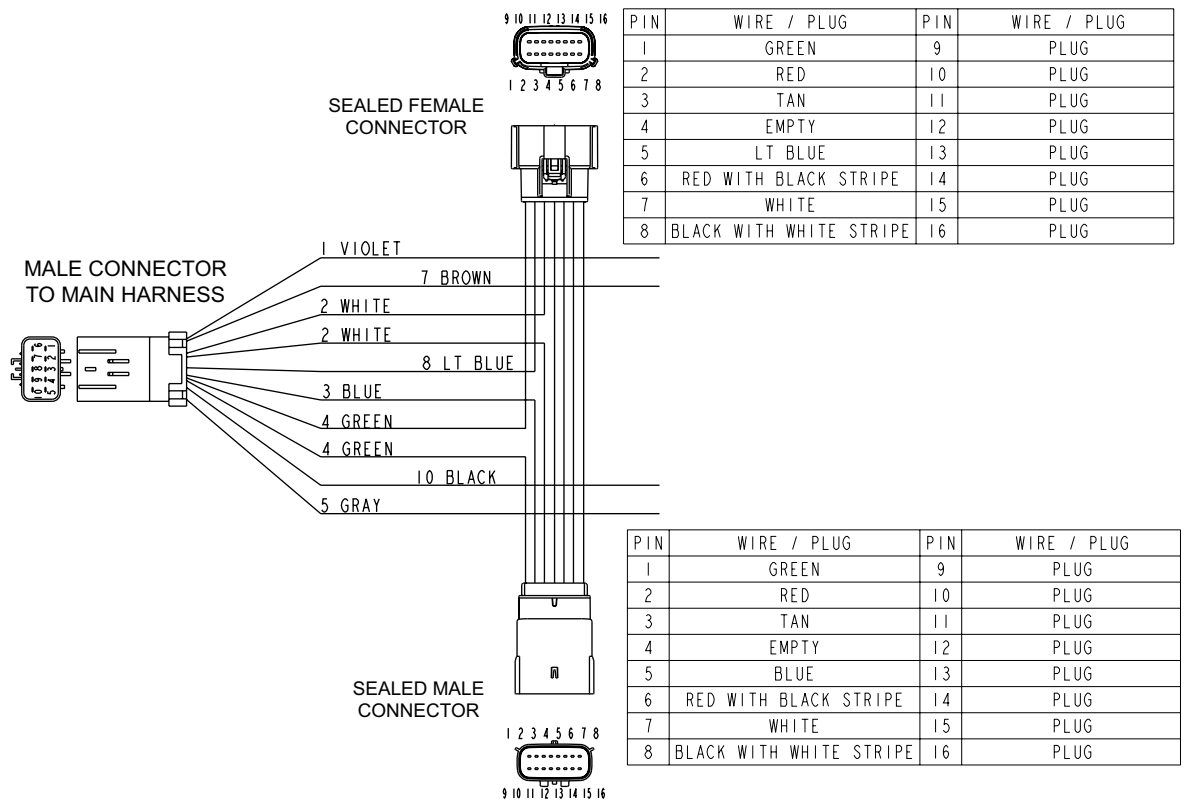
1. THINK SAFETY, ALWAYS WEAR SAFETY GLASSES WHEN PERFORMING THE OPERATIONS PRESCRIBED IN THESE INSTRUCTIONS
2. READ ALL INSTRUCTIONS CAREFULLY BEFORE ATTEMPTING INSTALLATION



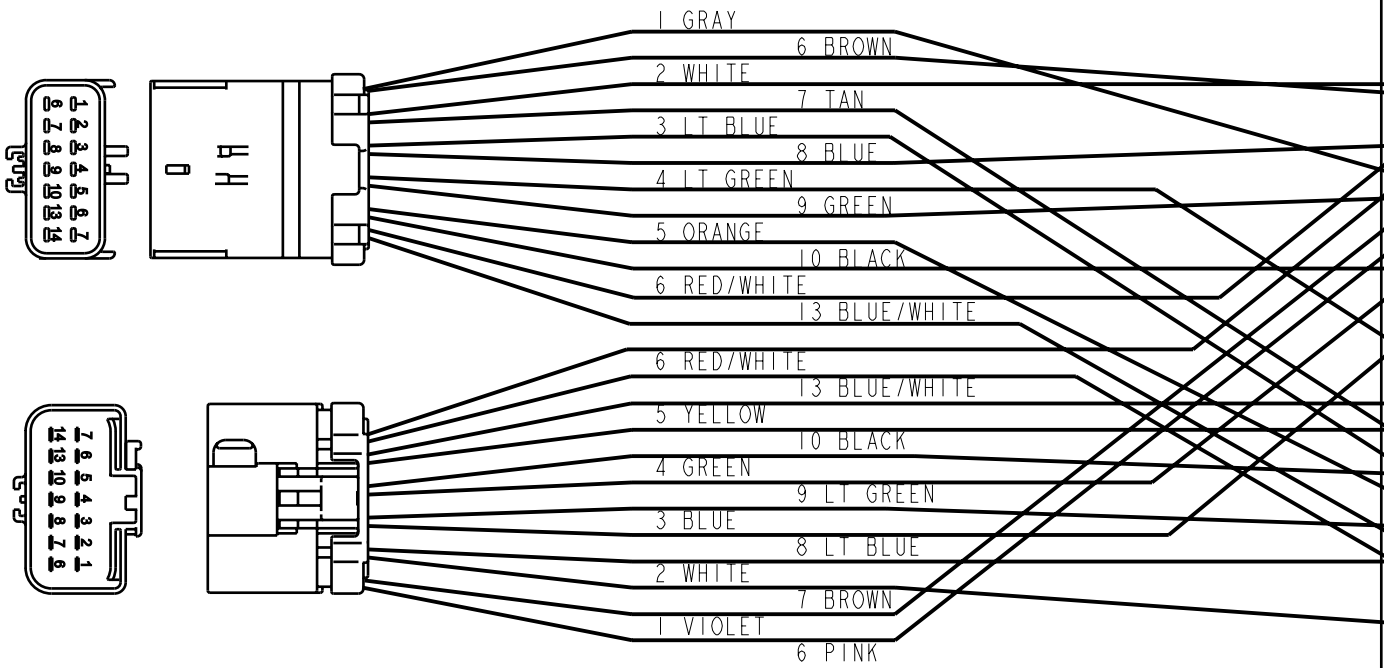
Headlight Adapter Schematic - Female (96116722) Driver Side



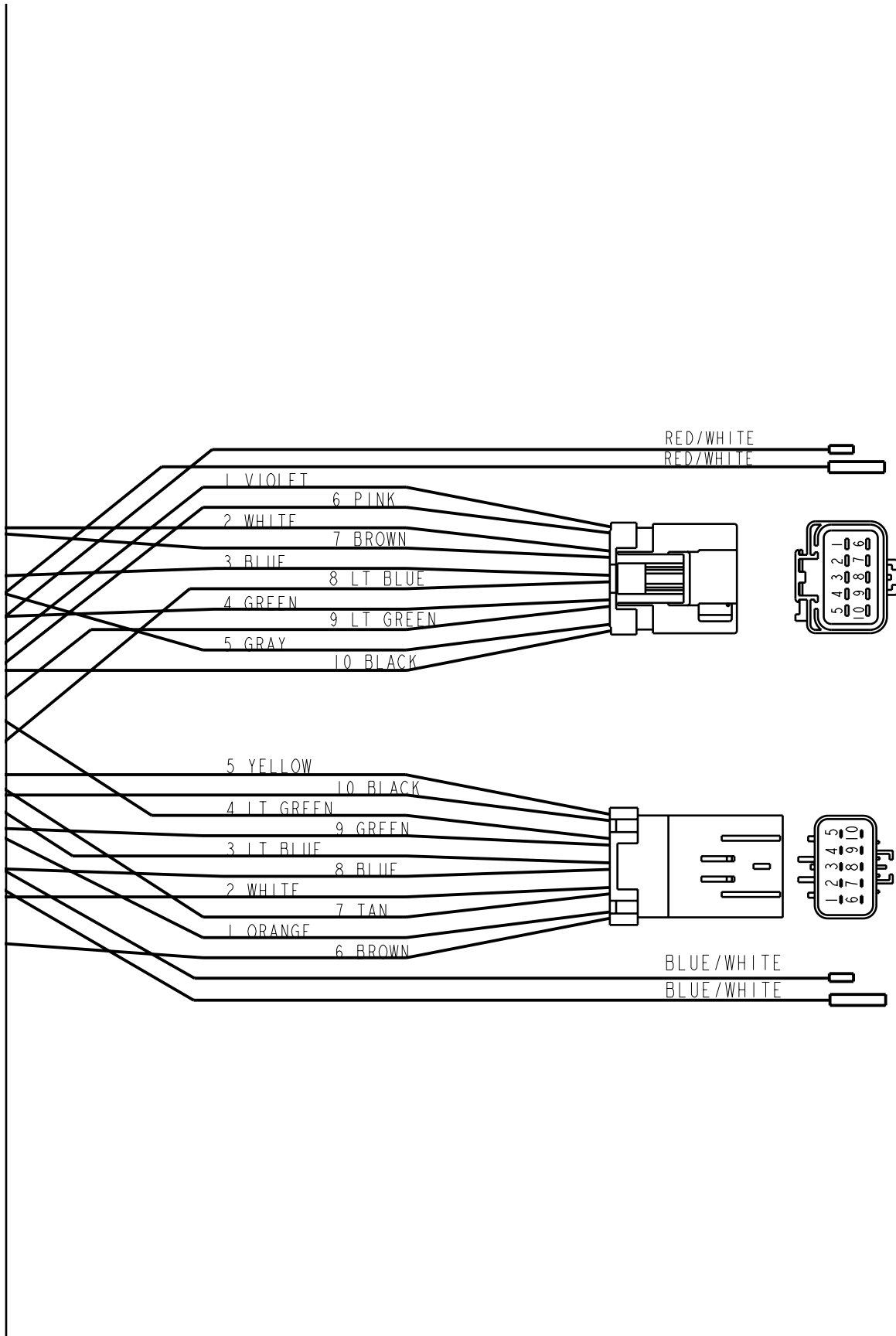
Headlight Adapter Schematic - Male (96116723) Passenger Side



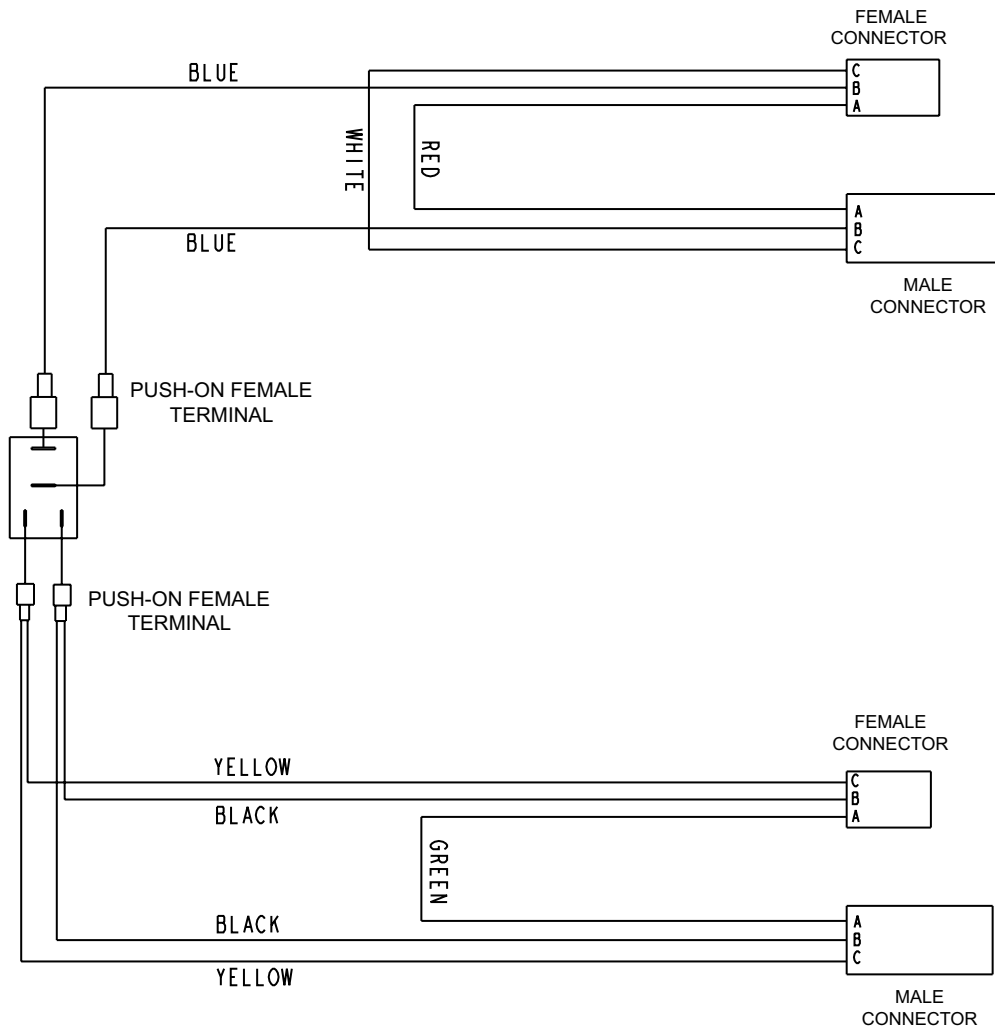
Main EIS Adapter Schematic (96116822)



Main EIS Adapter Schematic (96116822) (Continued)



Plow Lamp Adapter Harness - (96116535) Driver & Passenger Side (2 Total, 1 per side)



ADAPTER KIT INSTALLATION (Refer to Diagram)



CAUTION

- **THINK SAFETY, ALWAYS WEAR SAFETY GLASSES WHEN PERFORMING THE OPERATIONS PRESCRIBED IN THESE INSTRUCTIONS**
- **READ ALL INSTRUCTIONS CAREFULLY BEFORE ATTEMPTING INSTALLATION**

NOTE: This Adapter Kit does not require the Main EIS Harness from plow pack.

IMPORTANT: Use a dielectric compound on all connections, including Scotch-Lock® connectors, to prevent corrosion.

1. Disconnect the vehicle headlight electrical connectors from the back of the vehicle headlamps.

NOTE: In order to disconnect some vehicle headlight connectors, it may be necessary to remove the headlamp assembly from the front of the vehicle, if the connector is not easily accessible.

2. Plug together the light green connectors on the main harness with the corresponding adapters needed for the vehicle. The driver's side connection has a yellow wire and the passenger side has a gray wire.

IMPORTANT: The correct adapters must be connected to each side for proper function.

3. Insert loose terminals into adapter connectors:
 - A. Use needle nose pliers to disengage the secondary lock inside the 16 pin connectors. The locks do not pull completely out; they only move in and out about 3/16 of an inch. (See Figure 1.)

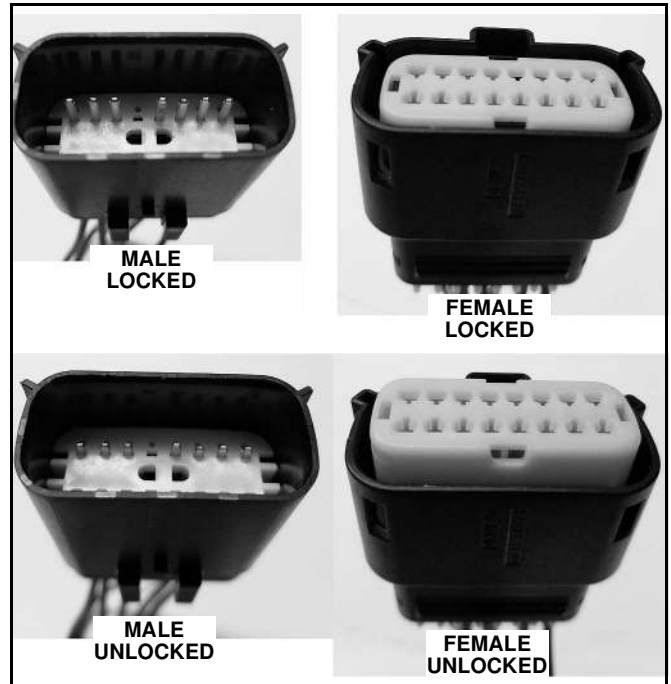


Figure 1

- B. Install the loose wires from the Main EIS Adapter harness (96116724) into the empty pin locations (pin 4) of the Headlight adapters. (See Figure 2.)

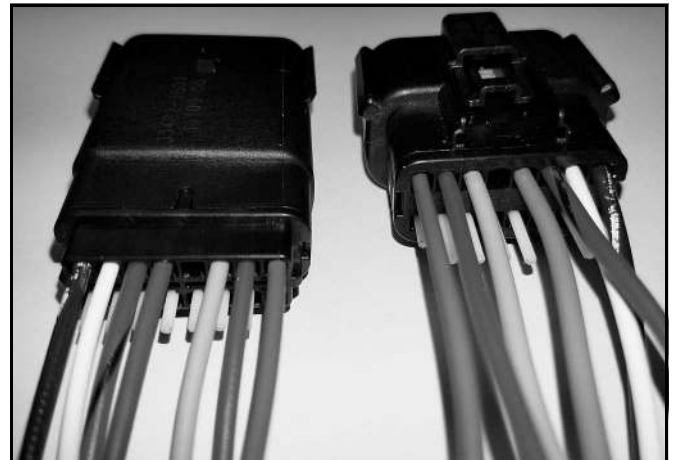


Figure 2

- C. Insert the two blue with white stripe wires into one headlight adapter. One wire has a male terminal and the other has a female terminal. Push them into back of the 16 pin connector; they can only enter one way. So make sure that bump in the terminals line up with the notch in the pin cavity. Push in the secondary lock when complete. (See Figure 3 and Figure 4.)

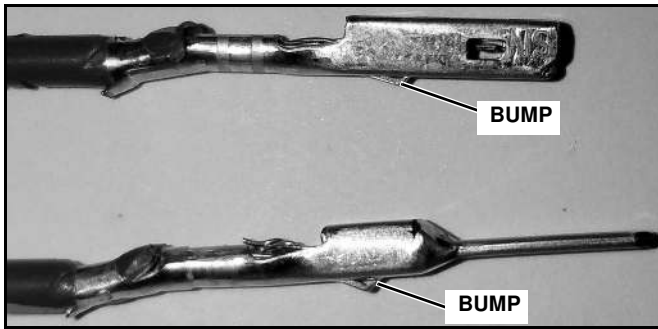


Figure 3

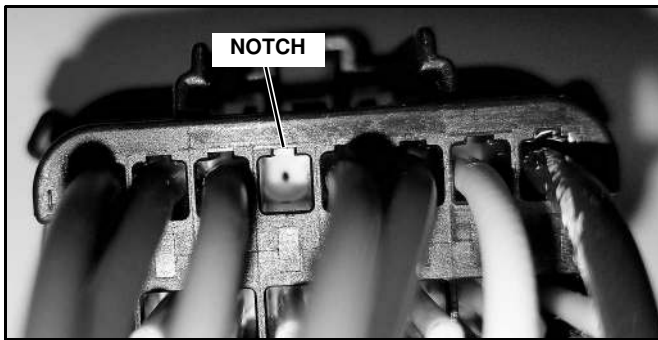


Figure 4

- D. Repeat step 3C for the two red with white stripe wires on the opposite side.
- 4. Plug the headlight adapters into the vehicle on both sides.
- 5. On the driver's side (Left Turn):
 - A. Locate the common wire to the left turn/park bulb on the vehicle harness. Using a Scotch-Lock® connector with dielectric compound, splice black headlight adapter wire to the vehicle's common wire.
 - B. Locate the left turn signal wire on the vehicle harness. At a suitable distance away from the turn signal connector, cut this wire. Using butt connectors, splice orange headlight adapter wire to the turn signal wire going to the turn signal lamp, and splice the yellow headlight adapter wire to the turn signal wire coming from the vehicle harness.
 - C. Locate the left park wire on the vehicle harness. Using a Scotch-Lock® connector with dielectric compound, splice the brown headlight adapter wire to the vehicle's park wire.
- 6. On the passenger side (Right Turn):
 - A. Locate the common wire to the right turn/park bulb on the vehicle harness. Using a Scotch-Lock® connector with dielectric compound, splice black headlight adapter wire to the vehicle's common wire.

- B. Locate the right turn signal wire on the vehicle harness. At a suitable distance away from the turn signal connector, cut this wire. Using butt connectors, splice violet headlight adapter wire to the turn signal wire going to the turn signal lamp, and splice the gray headlight adapter wire to the turn signal wire coming from the vehicle harness.
- C. Locate the right park wire on the vehicle harness. Using a Scotch-Lock® connector with dielectric compound, splice the brown headlight adapter wire to the vehicle's park wire coming from the vehicle harness.

- 7. Place the other end of the main harness on the outside of the grille.
- 8. Remove the back panel to the plow head lamps.
- 9. Disconnect the 3-pin connector leading to the high and low beam of the Driver Side plow lamp. Then, connect the ends of the Plow Lamp Adapter Harness with white/blue/red wires to the male and female connections.
- 10. Disconnect the 3-pin connector leading to the park and turn bulb of the Driver Side plow lamp. Then, connect the ends of the Plow Lamp Adapter Harness with yellow/black/green wires to the male and female connections.
- 11. Insert a cable tie through the adhesive mount and secure it around the Plow Lamp Adapter Harness. Then, peel away the wax paper, and stick it to the inside bottom of the plow lamp. This will keep the excess wires from rattling inside the lamp.
- 12. Repeat steps 8-11 for the Passenger Side plow lamp.
- 13. Secure the back panel of the plow head lamps.
- 14. Open the 14-10 Pin Connector EIS Kit (96116760). Plug the corresponding 14-pin connectors of two harnesses to the main EIS harness ends that are coming out of the grill.
- 15. Attach the main harness connectors to the right and left plow light headlamps. Turn on the vehicle lights and check operation. Check to make sure the vehicle headlights go out and plow headlights come on. Check park and turn signals.
- 16. If disassembled, reassemble vehicle components.
- 17. Secure the main harness to a safe location with electricians tape or plastic wire ties. Excess harness length should be neatly coiled and taped, or tied up out of the way.



CAUTION

Make sure that wire harness is routed away from all moving engine components. Example; fan, belts etc. DO NOT attach wire harness to hoses, radiator AC coils, exhaust manifolds, or control cables.

SNO-WAY® INTERNATIONAL, INC.

SNO-WAY
SNOW & ICE CONTROL EQUIPMENT

Hartford, WI 53027 USA
Website: www.snoway.com
©2018 Sno-Way® International