

SNO-WAY®

SNOW & ICE CONTROL EQUIPMENT

WIRING DIAGRAM AND INSTALLATION INSTRUCTIONS

**FOR 99101349
ADAPTER KIT**

Sno-Way®; Down Pressure® and EIS® are registered trademarks of Sno-Way International, Inc.
ProControl™, MegaBlade™, V-Wing™, E-Z Switch™, Revolution™, MaxAdjust™, SpeedLock™, and
QuickJack™ are trademarks of Sno-Way International, Inc.

©2018 Sno-Way® International

97102129B

WIRING DIAGRAM



1. THINK SAFETY, ALWAYS WEAR SAFETY GLASSES WHEN PERFORMING THE OPERATIONS PRESCRIBED IN THESE INSTRUCTIONS
2. READ ALL INSTRUCTIONS CAREFULLY BEFORE ATTEMPTING INSTALLATION

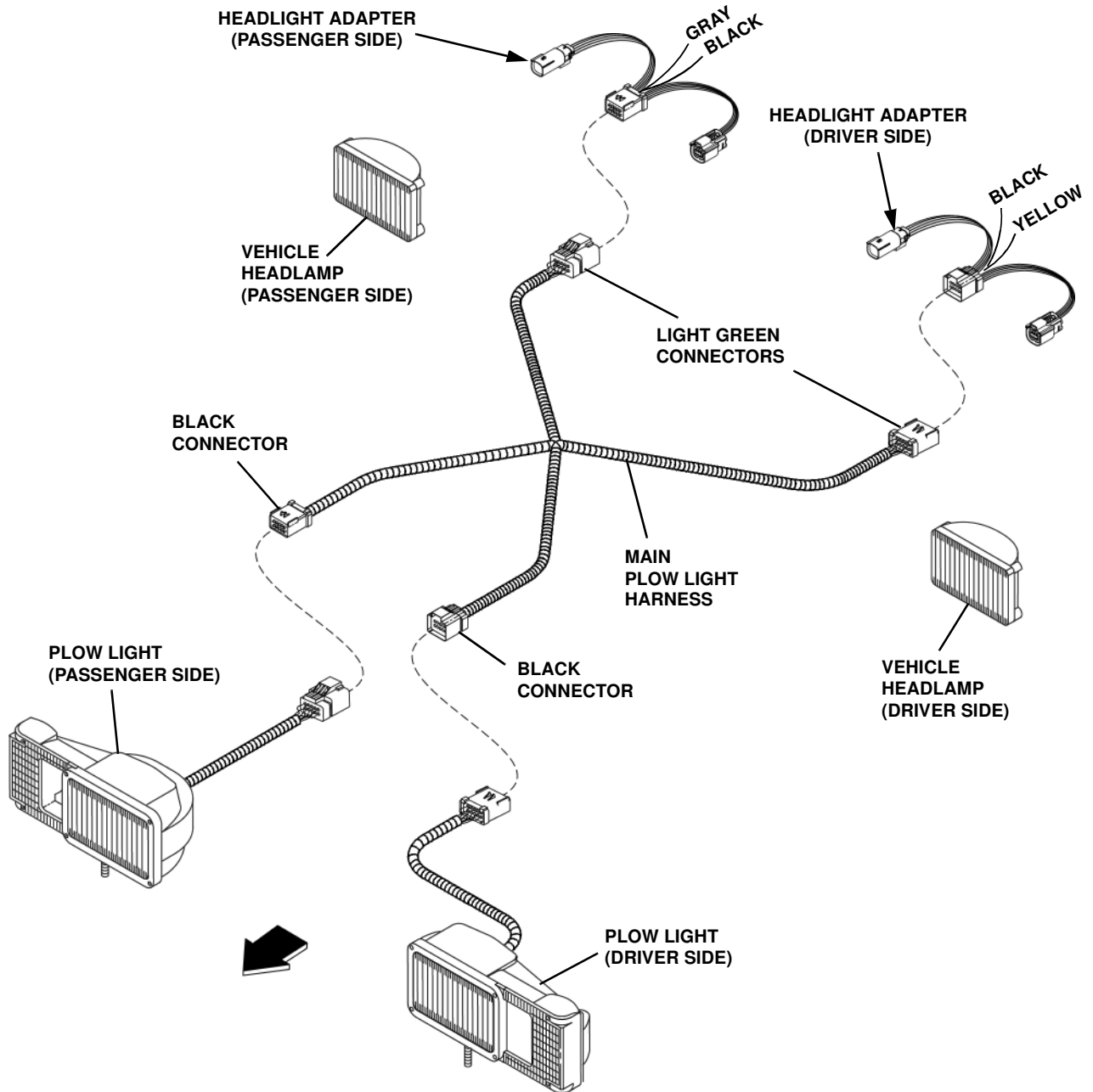
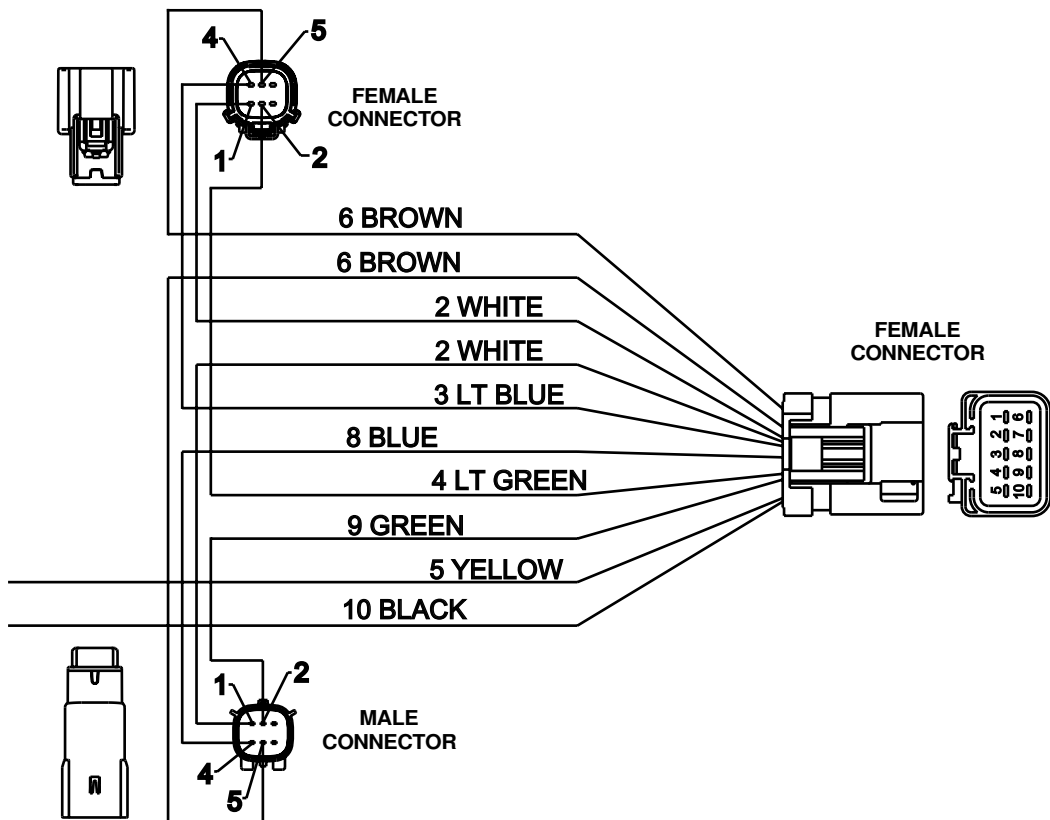


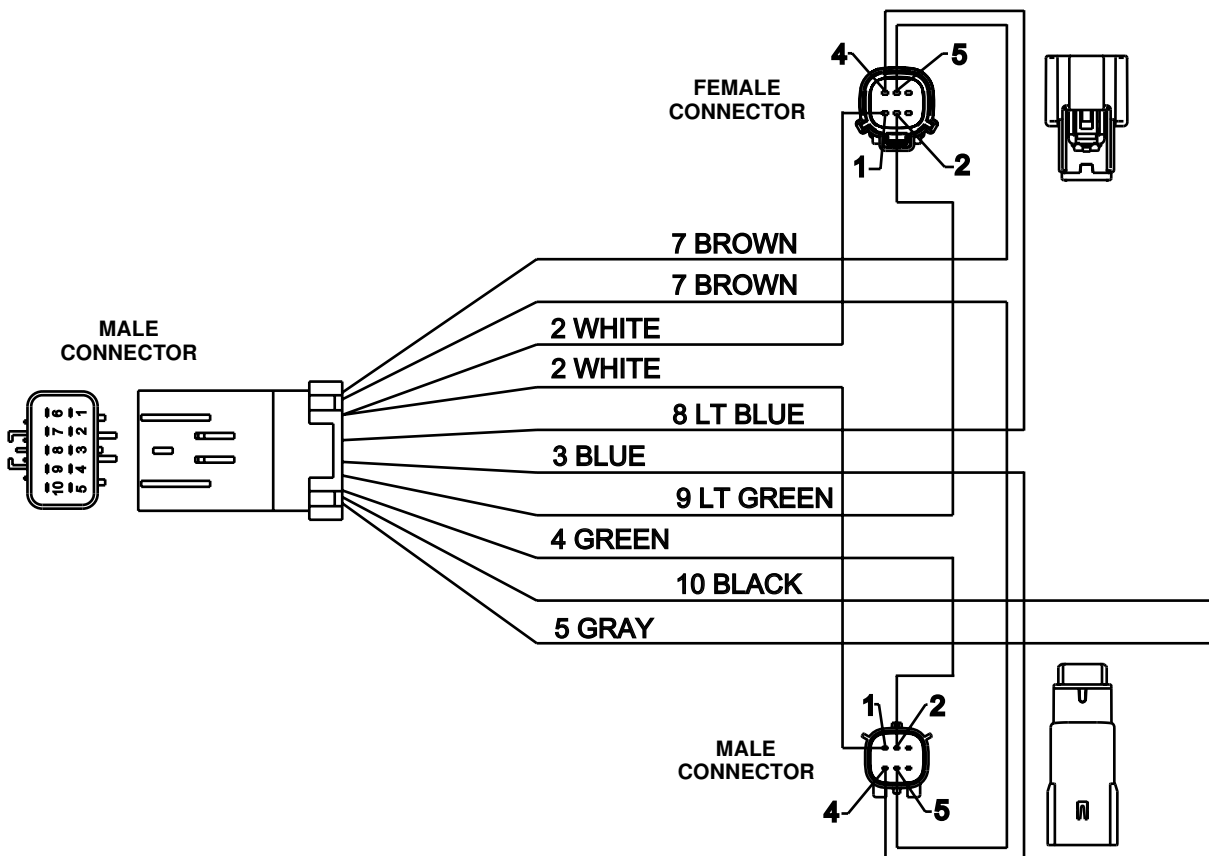
Figure 1

ADAPTER KIT 99101349

Headlight Adapter Schematic - Female (96116976) (Driver's Side)



Headlight Adapter Schematic - Male (96116977) (Passenger's Side)



ADAPTER KIT INSTALLATION (Refer to Wiring Diagram and Harness Schematics for Kit Purchased)



CAUTION

- **THINK SAFETY, ALWAYS WEAR SAFETY GLASSES WHEN PERFORMING THE OPERATIONS PRESCRIBED IN THESE INSTRUCTIONS**
- **READ ALL INSTRUCTIONS CAREFULLY BEFORE ATTEMPTING INSTALLATION**

IMPORTANT: *With vehicle and all lights and accessories off, apply a dielectric compound on all electrical connections to prevent corrosion.*

1. Locate the driver side plow headlamp harness. Inspect the black male 10 pin connector. If the violet wire is present in pin location 1 it must be removed as part of the remedy to the fast flash condition on the vehicle. It is important that you remove this wire from the connector and looming.
2. Locate the passenger side plow headlamp harness. Inspect the black male 10 pin connector. If the orange wire is present in pin location 5 it must be removed as part of the remedy to the fast flash condition on the vehicle. It is important that you remove this wire from the connector and looming.
3. Disconnect the vehicle headlight electrical connectors from the back of the vehicle headlamps.

NOTE: *In order to disconnect some vehicle headlight connectors, it may be necessary to remove the headlamp assembly from the front of the vehicle, if the connector is not easily accessible.*

4. Plug together the light green connectors on the main harness with the corresponding adapters needed for the vehicle. The driver's side connection has a yellow wire and the passenger side has a gray wire.

IMPORTANT: *The correct adapters must be connected to each side for proper function.*

5. Identify what type of headlights the vehicle has, LED or H13 halogen bulbs. If installing on an LED, skip to the next step. If installing on a H13, cut a brown wire out from behind one of the 6 pin black adapter connectors. It doesn't matter if it's the male or female. Do this for both the driver and passenger side harnesses.
6. Plug the headlight adapters into the vehicle on both sides. Plug the corresponding connectors into the back of the vehicle headlights, then the connectors from the vehicle headlights into the corresponding connectors on the headlight adapter.

7. On the driver's side (Left Turn):

- A. Locate the common wire to the left turn/park bulb on the vehicle harness. Using a Scotchlok™ connector with dielectric compound, splice black headlight adapter wire to the vehicle's common wire.
- B. Locate the left turn signal wire on the vehicle harness. Using a Scotchlok™ connector with dielectric compound, splice yellow headlight adapter wire to the vehicle's turn signal wire.
- C. Skip to the next step if installing on an LED headlamp. For H13 halogen bulbs: Locate the left park wire on the vehicle harness. Using a Scotchlok™ connector with dielectric compound, splice the brown wire cut from step 5 to the vehicle's park wire.

8. On the passenger's side (Right Turn):

- A. Locate the common wire to the right turn/park bulb on the vehicle harness. Using a Scotchlok™ connector with dielectric compound, splice black headlight adapter wire to the vehicle's common wire.
- B. Locate the right turn signal wire on the vehicle harness. Using a Scotchlok™ connector with dielectric compound, splice gray headlight adapter wire to the vehicle's turn signal wire.
- C. Skip to the next step if installing on an LED headlamp. For H13 halogen bulbs: Locate the right park wire on the vehicle harness. Using a Scotchlok™ connector with dielectric compound, splice the brown wire cut from step 5 to the vehicle's park wire.

9. Place the other end of the main harness on the outside of the grille.
10. Attach the main harness connectors to the right and left plow light headlamps. Turn on the vehicle lights and check operation. Check to make sure the vehicle headlights go out and plow headlights come on. Check park and turn signals.
11. If disassembled, reassemble vehicle components.
12. Secure the main harness to a safe location with electricians tape or plastic wire ties. Excess harness length should be neatly coiled and taped, or tied up out of the way.



CAUTION

**Make sure that wire harness is routed away from all moving engine components.
Example; fan, belts etc.
DO NOT attach wire harness to hoses, radiator AC coils, exhaust manifolds, or control cables.**

SNO-WAY® INTERNATIONAL, INC.

SNO-WAY
SNOW & ICE CONTROL EQUIPMENT

Hartford, WI 53027 USA
Website: www.snoway.com
©2018 Sno-Way® International