

SNO-WAY®

SNOW & ICE CONTROL EQUIPMENT

WIRING DIAGRAM AND INSTALLATION INSTRUCTIONS

**FOR 99101352
ADAPTER KIT**

Sno-Way®; Down Pressure® and EIS® are registered trademarks of Sno-Way International, Inc.
ProControl™, MegaBlade™, V-Wing™, E-Z Switch™, Revolution™, MaxAdjust™, SpeedLock™, and
QuickJack™ are trademarks of Sno-Way International, Inc.

©2018 Sno-Way® International

97102132A

WIRING DIAGRAM



1. THINK SAFETY, ALWAYS WEAR SAFETY GLASSES WHEN PERFORMING THE OPERATIONS PRESCRIBED IN THESE INSTRUCTIONS
2. READ ALL INSTRUCTIONS CAREFULLY BEFORE ATTEMPTING INSTALLATION



IMPORTANT: Use a dielectric compound on all connections to prevent corrosion.

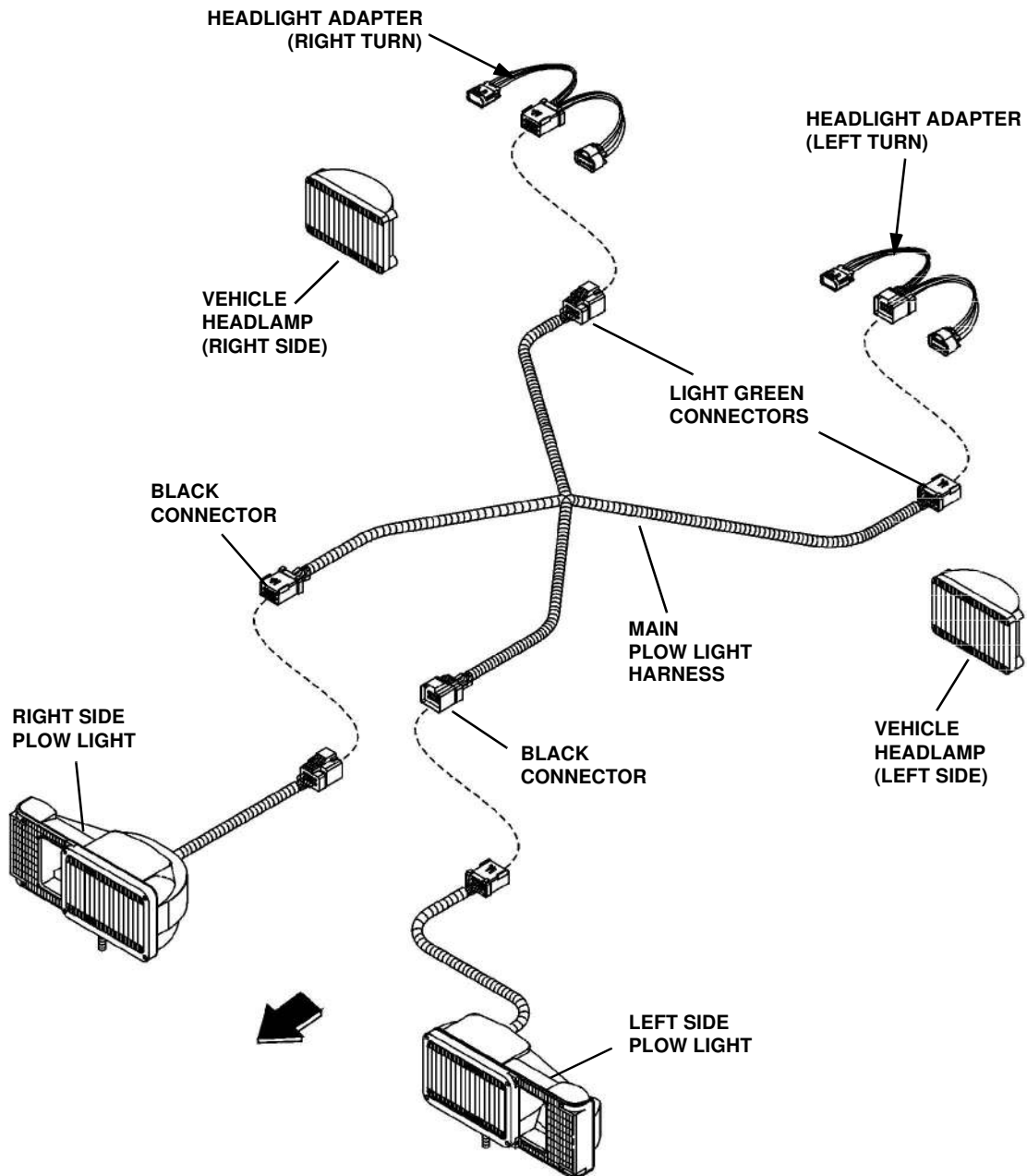
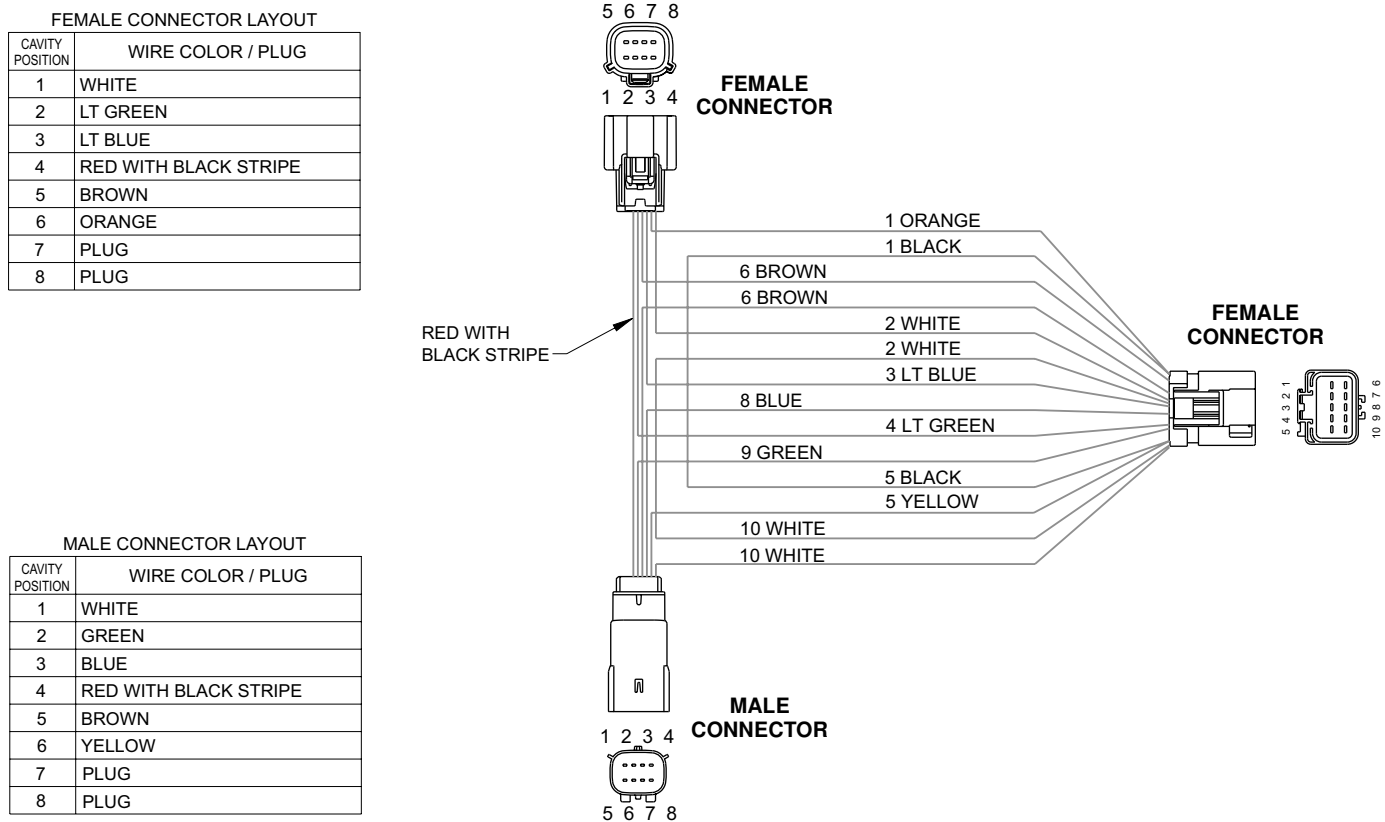
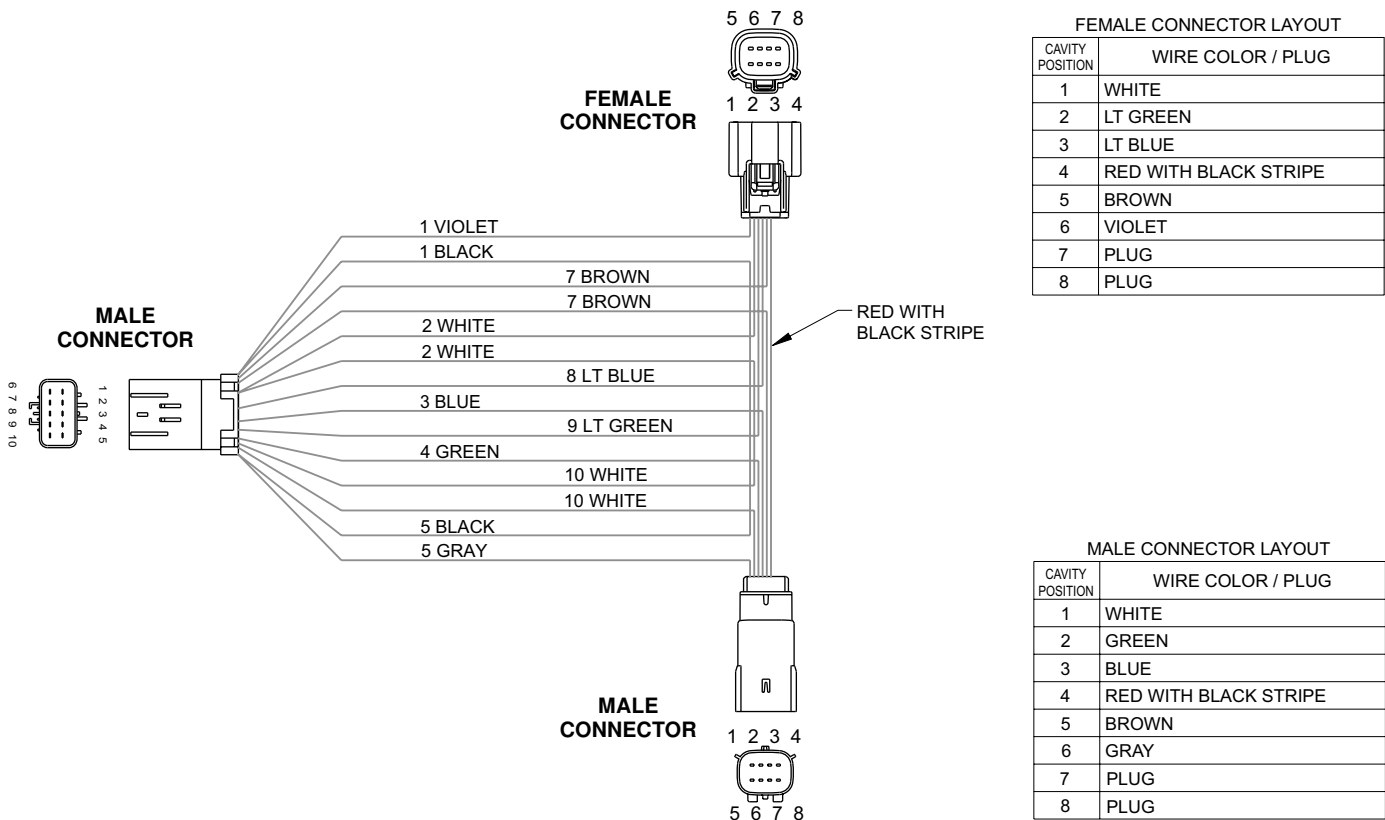


Figure 1

Headlight Adapter Schematic - Female (96117053) (Driver's Side)



Headlight Adapter Schematic - Male (96117054) (Passenger's Side)



ADAPTER KIT INSTALLATION (Refer to Wiring Diagrams)



CAUTION

- **THINK SAFETY, ALWAYS WEAR SAFETY GLASSES WHEN PERFORMING THE OPERATIONS PRESCRIBED IN THESE INSTRUCTIONS**
- **READ ALL INSTRUCTIONS CAREFULLY BEFORE ATTEMPTING INSTALLATION**

IMPORTANT: Use a dielectric compound on all connections to prevent corrosion.

Prior to Installation:

1. Locate the driver's side plow headlamp harness. Inspect the black male 10 pin connector. If the violet wire is present in pin location 1 it must be removed as part of the remedy to the fast flash condition on the vehicle. It is important that you remove this wire from the connector and looming.
2. Locate the driver's side plow headlamp harness. Inspect the black male 10 pin connector. If the orange wire is present in pin location 5 it must be removed as part of the remedy to the fast flash condition on the vehicle. It is important that you remove this wire from the connector and looming.

Installation:

1. Disconnect the vehicle headlight electrical connectors from the back of the vehicle headlamps.
- NOTE: There is no interchangeability in the adapter components. Driver and passenger harnesses must each be installed on the correct side in order for each to work properly.*
2. Plug together the light green connectors on the main harness with the corresponding adapters needed for the vehicle. The driver's side connection has a yellow wire and the passenger side has a gray wire.
 3. Plug the headlight adapters into the vehicle on both sides. Plug the corresponding connectors into the back of the vehicle headlights, then the connectors from the vehicle headlights into the corresponding connectors on the headlight adapter.
 4. Place the other end of the main harness on the outside of the grille.
 5. Attach the main harness connectors to the right and left plow light headlamps. Turn on the vehicle lights and check operation. Check to make sure the vehicle headlights go out and plow headlights come on. Check park and turn signals.
 6. If disassembled, reassemble vehicle components.
 7. Secure the main harness to a safe location with electricians tape or plastic wire ties. Excess harness length should be neatly coiled and taped, or tied up out of the way.



CAUTION

**Make sure that wire harness is routed away from all moving engine components.
Example; fan, belts etc.
DO NOT attach wire harness to hoses, radiator AC coils, exhaust manifolds, or control cables.**

SNO-WAY® INTERNATIONAL, INC.

SNO-WAY
SNOW & ICE CONTROL EQUIPMENT

Hartford, WI 53027 USA
Website: www.snoway.com
©2018 Sno-Way® International