

SNO-WAY®

SNOW & ICE CONTROL EQUIPMENT

WIRING DIAGRAM AND INSTALLATION INSTRUCTIONS

**FOR 99101360
ADAPTER KIT**

Sno-Way®; Down Pressure® and EIS® are registered trademarks of Sno-Way International, Inc.
ProControl™, MegaBlade™, V-Wing™, E-Z Switch™, Revolution™, MaxAdjust™, SpeedLock™, and
QuickJack™ are trademarks of Sno-Way International, Inc.

©2018 Sno-Way® International

97102144A

WIRING DIAGRAM



1. THINK SAFETY, ALWAYS WEAR SAFETY GLASSES WHEN PERFORMING THE OPERATIONS PRESCRIBED IN THESE INSTRUCTIONS
2. READ ALL INSTRUCTIONS CAREFULLY BEFORE ATTEMPTING INSTALLATION



IMPORTANT: Use a dielectric compound on all connections to prevent corrosion.

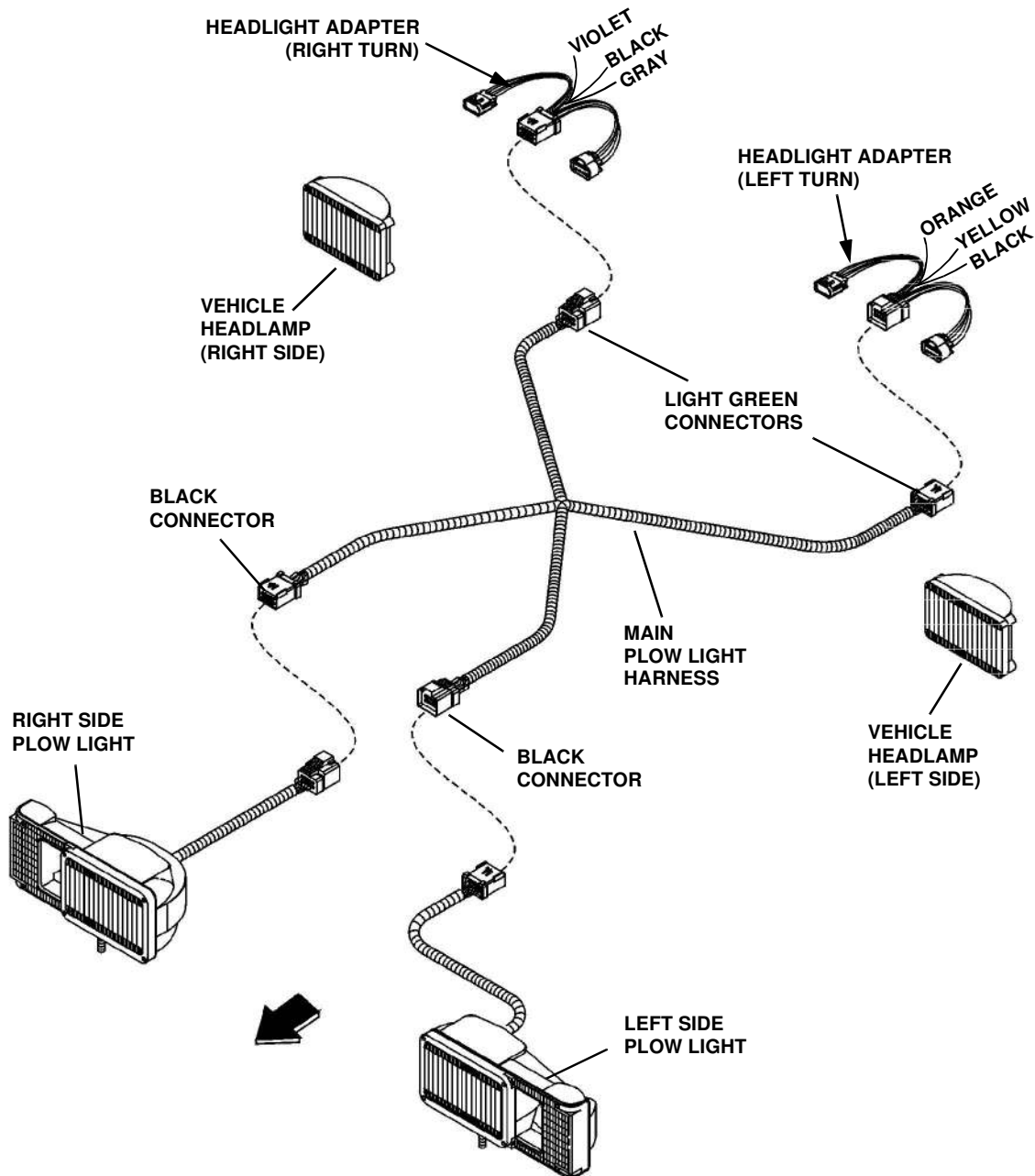


Figure 1

Headlight Adapter Schematic - Female (Driver's Side)

FEMALE CONNECTOR LAYOUT

CAVITY POSITION	WIRE COLOR / PLUG
1	LT BLUE
2	LT GREEN
3	BLACK/WHITE
4	WHITE
5	RED/BLACK
6	BROWN
7	PLUG
8	PLUG

MALE CONNECTOR LAYOUT

CAVITY POSITION	WIRE COLOR / PLUG
1	BLUE
2	GREEN
3	BLACK/WHITE
4	WHITE
5	RED/BLACK
6	BROWN
7	PLUG
8	PLUG

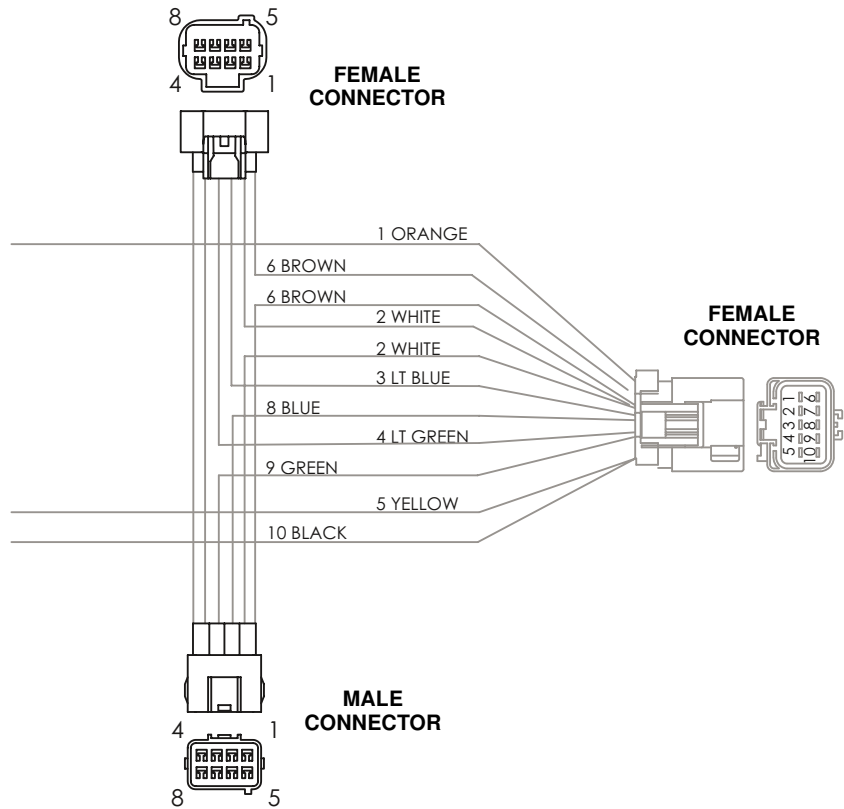
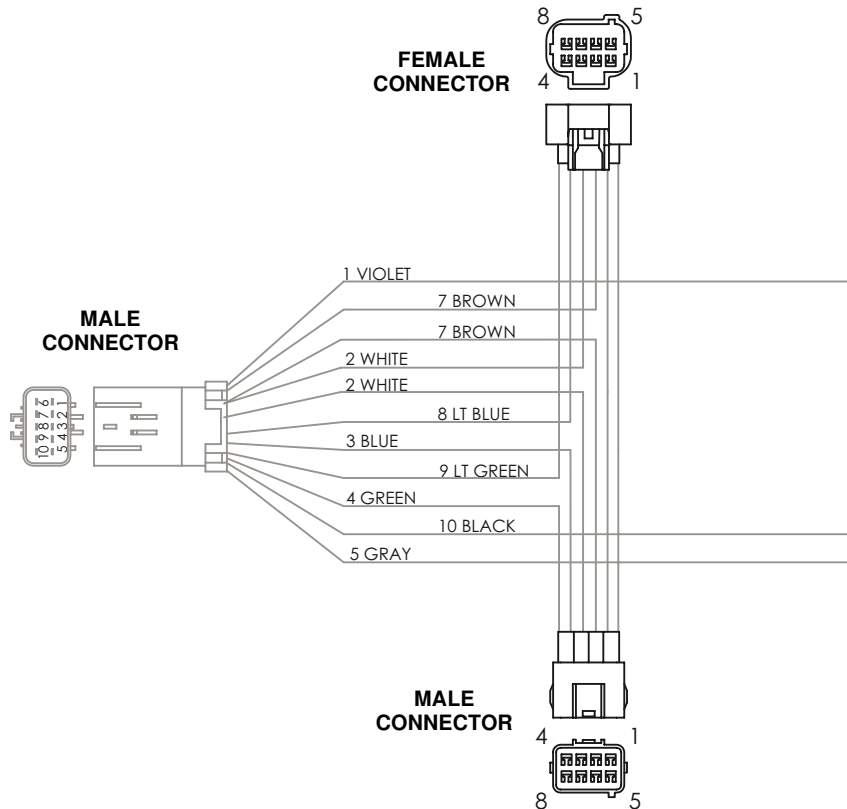


Figure 2

Headlight Adapter Schematic - Male (Passenger's Side)



FEMALE CONNECTOR LAYOUT

CAVITY POSITION	WIRE COLOR / PLUG
1	LT BLUE
2	LT GREEN
3	BLACK/WHITE
4	WHITE
5	RED/BLACK
6	BROWN
7	PLUG
8	PLUG

MALE CONNECTOR LAYOUT

CAVITY POSITION	WIRE COLOR / PLUG
1	BLUE
2	GREEN
3	BLACK/WHITE
4	WHITE
5	RED/BLACK
6	BROWN
7	PLUG
8	PLUG

Figure 3

ADAPTER KIT INSTALLATION (Refer to Wiring Diagrams)



CAUTION

- **THINK SAFETY, ALWAYS WEAR SAFETY GLASSES WHEN PERFORMING THE OPERATIONS PRESCRIBED IN THESE INSTRUCTIONS**
- **READ ALL INSTRUCTIONS CAREFULLY BEFORE ATTEMPTING INSTALLATION**

IMPORTANT: Use a dielectric compound on all connections to prevent corrosion.

Installation:

1. Locate the driver side plow headlamp harness. Inspect the black male 10 pin connector. If the violet wire is present in pin location 1 it must be removed from the connector and looming.
2. Locate the passenger side plow headlamp harness. Inspect the black male 10 pin connector. If the orange wire is present in pin location 5 it must be removed from the connector and looming.
3. Disconnect the vehicle headlight electrical connectors from the back of the vehicle headlamps.
4. Plug together the light green connectors on the main harness with the corresponding adapters needed for the vehicle. The driver's side connection has a yellow wire and the passenger side has a gray wire.

IMPORTANT: The correct adapters must be connected to each side for proper function.

5. Plug the corresponding connectors into the back of the vehicle headlights, then the connectors from the vehicle headlights into the corresponding connectors on the headlight adapter.
6. On the driver's side (Left Turn):
 - A. Locate the common wire to the left turn/park bulb on the vehicle harness. Using a Scotchlok™ connector with dielectric compound, splice black headlight adapter wire to the vehicle's common wire.
 - B. Locate the left turn signal wire on the vehicle harness. At a suitable distance away from the turn signal connector, cut this wire. Using butt connectors, connect the orange adapter wire to the wire going to the turn signal lamp, and connect the yellow adapter wire to the wire coming from the vehicle harness.

7. On the passenger's side (Right Turn):

- A. Locate the common wire to the right turn/park bulb on the vehicle harness. Using a Scotchlok™ connector with dielectric compound, splice black headlight adapter wire to the vehicle's common wire.
- B. Locate the right turn signal wire on the vehicle harness. At a suitable distance away from the turn signal connector, cut this wire. Using butt connectors, connect the violet adapter wire to the wire going to the turn signal lamp, and connect the gray adapter wire to the wire coming from the vehicle harness.

8. Place the other end of the main harness on the outside of the grille.
9. Attach the main harness connectors to the right and left plow light headlamps. Turn on the vehicle lights and check operation. Check to make sure the vehicle headlights go out and plow headlights come on. Check park and turn signals.
10. If disassembled, reassemble vehicle components.
11. Secure the main harness to a safe location with electricians tape or plastic wire ties. Excess harness length should be neatly coiled and taped, or tied up out of the way.



CAUTION

**Make sure that wire harness is routed away from all moving engine components.
Example; fan, belts etc.
DO NOT attach wire harness to hoses, radiator AC coils, exhaust manifolds, or control cables.**

SNO-WAY® INTERNATIONAL, INC.

SNO-WAY
SNOW & ICE CONTROL EQUIPMENT

Hartford, WI 53027 USA
Website: www.snoway.com
©2018 Sno-Way® International