

# **SNO-WAY**®

**SNOW & ICE CONTROL EQUIPMENT**

## **WIRING DIAGRAM AND INSTALLATION INSTRUCTIONS**

**FOR 99101361  
ADAPTER KIT**

Sno-Way®; Down Pressure® and EIS® are registered trademarks of Sno-Way International, Inc.  
ProControl™, MegaBlade™, V-Wing™, E-Z Switch™, Revolution™, MaxAdjust™, SpeedLock™, and  
QuickJack™ are trademarks of Sno-Way International, Inc.

©2018 Sno-Way® International

97102145A

# WIRING DIAGRAM



1. THINK SAFETY, ALWAYS WEAR SAFETY GLASSES WHEN PERFORMING THE OPERATIONS PRESCRIBED IN THESE INSTRUCTIONS
2. READ ALL INSTRUCTIONS CAREFULLY BEFORE ATTEMPTING INSTALLATION

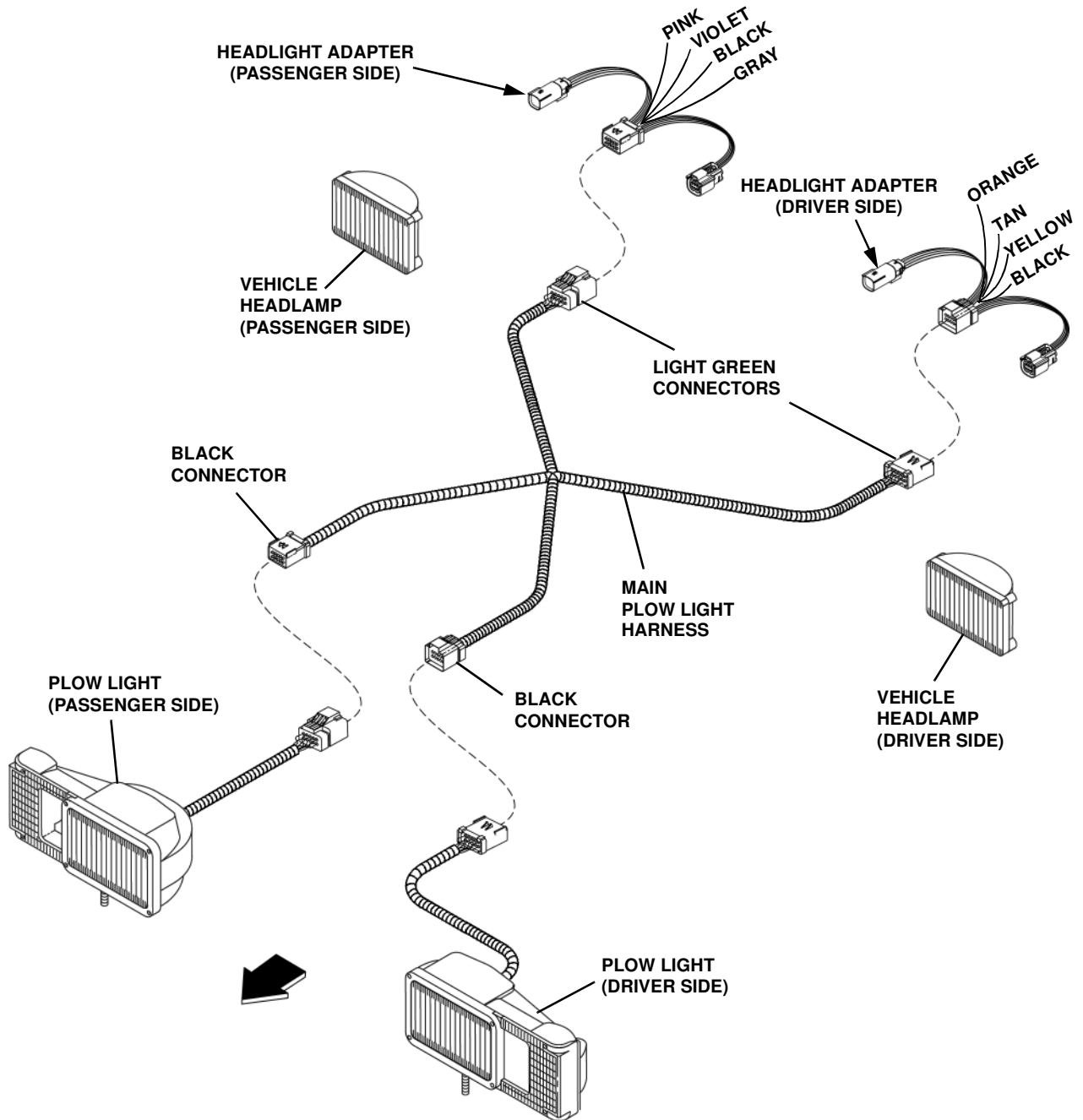
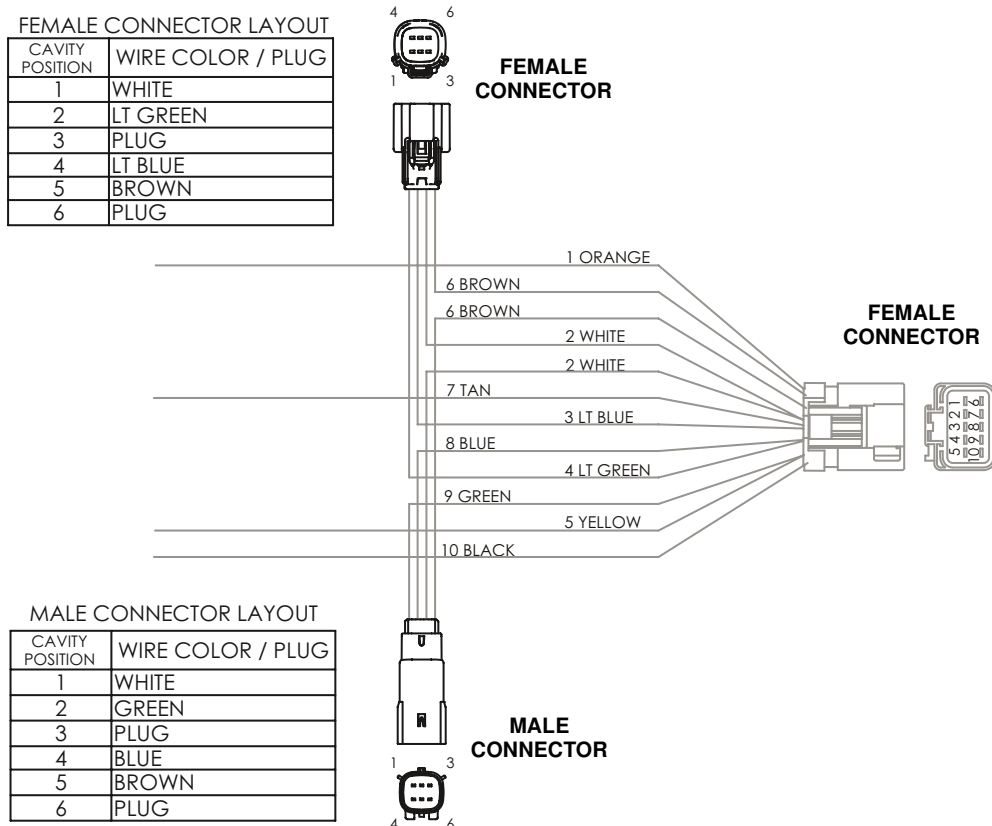


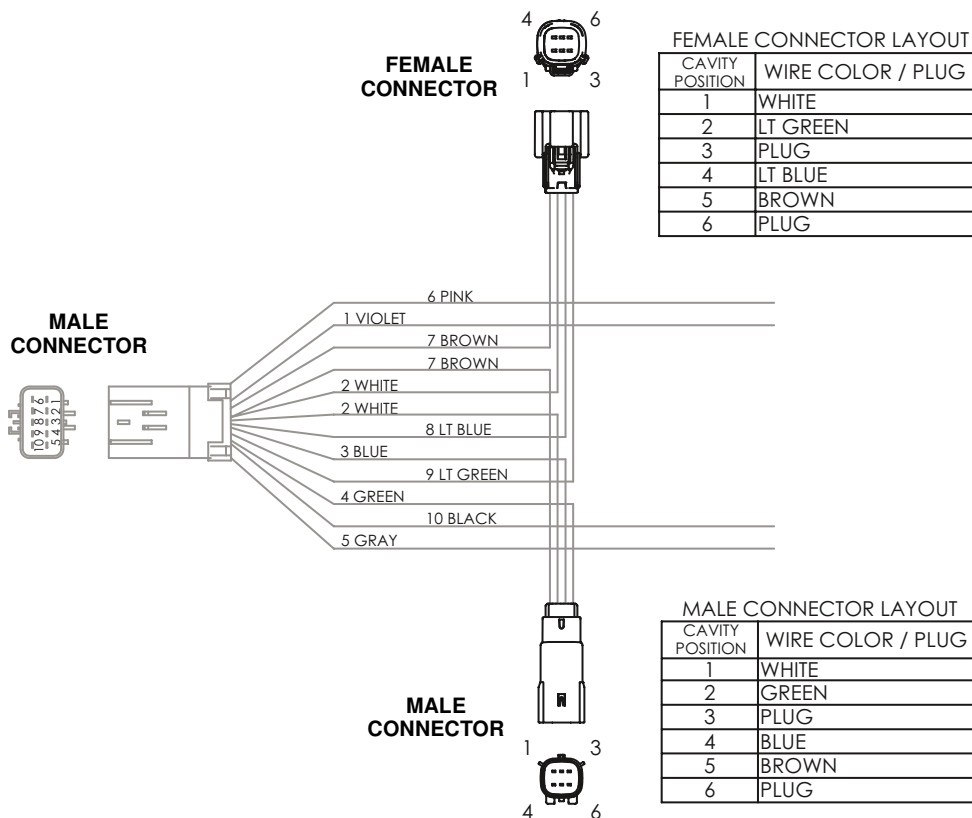
Figure 1

# ADAPTER KIT 99101361

## Headlight Adapter Schematic - Female (Driver's Side)



## Headlight Adapter Schematic - Male (Passenger's Side)



## ADAPTER KIT INSTALLATION (Refer to Wiring Diagram and Harness Schematics for Kit Purchased)



### CAUTION

- **THINK SAFETY, ALWAYS WEAR SAFETY GLASSES WHEN PERFORMING THE OPERATIONS PRESCRIBED IN THESE INSTRUCTIONS**
- **READ ALL INSTRUCTIONS CAREFULLY BEFORE ATTEMPTING INSTALLATION**

**IMPORTANT:** *With vehicle and all lights and accessories off, apply a dielectric compound on all electrical connections to prevent corrosion.*

1. Locate the driver side plow headlamp harness. Inspect the black male 10 pin connector. If the violet wire is present in pin location 1 it must be removed from the connector and looming.
2. Locate the passenger side plow headlamp harness. Inspect the black male 10 pin connector. If the orange wire is present in pin location 5 it must be removed from the connector and looming.
3. Disconnect the vehicle headlight electrical connectors from the back of the vehicle headlamps.
4. Plug together the light green connectors on the main harness with the corresponding adapters needed for the vehicle. The driver's side connection has a yellow wire and the passenger side has a gray wire.

**IMPORTANT:** *The correct adapters must be connected to each side for proper function.*

5. Identify what type of headlights the vehicle has, LED or H13 halogen bulbs. If installing on an LED, use steps 6-9. If installing on a H13, use steps 10-17.

### LED Vehicle Lamp Instructions

6. Plug the corresponding connectors into the back of the vehicle headlights, then the connectors from the vehicle headlights into the corresponding connectors on the headlight adapter.
7. On the driver's side (Left Turn):
  - A. Locate the common wire to the left turn/park bulb on the vehicle harness. Using a Scotchlok™ connector with dielectric compound, splice black headlight adapter wire to the vehicle's common wire.
  - B. Locate the left turn signal wire on the vehicle harness. Using a Scotchlok™ connector with dielectric compound, splice yellow headlight adapter wire to the vehicle's turn signal wire.
  - C. Cut or remove the orange and tan wires from the light green connector.

8. On the passenger's side (Right Turn):
  - A. Locate the common wire to the right turn/park bulb on the vehicle harness. Using a Scotchlok™ connector with dielectric compound, splice black headlight adapter wire to the vehicle's common wire.
  - B. Locate the right turn signal wire on the vehicle harness. Using a Scotchlok™ connector with dielectric compound, splice gray headlight adapter wire to the vehicle's turn signal wire.
  - C. Cut or remove the violet and pink wires from the light green connector.
9. Skip to step 14 and continue install.

### H13 Vehicle Lamp Instructions

10. Cut a brown wire out from behind one of the 6 pin black adapter connectors. It doesn't matter if it's the male or female. Do this for both the driver and passenger side harnesses.
11. Plug the corresponding connectors into the back of the vehicle headlights, then the connectors from the vehicle headlights into the corresponding connectors on the headlight adapter.
12. On the driver's side (Left Turn):
  - A. Locate the common wire to the left turn/park bulb on the vehicle harness. Using a Scotchlok™ connector with dielectric compound, splice black headlight adapter wire to the vehicle's common wire.
  - B. Locate the left turn signal wire on the vehicle harness. At a suitable distance away from the turn signal connector, cut this wire. Using butt connectors, connect the orange adapter wire to the wire going to the turn signal lamp, and connect the yellow adapter wire to the wire coming from the vehicle harness.
  - C. Locate the left park wire on the vehicle harness. At a suitable distance away from the connector, cut this wire. Using butt connectors, connect the tan adapter wire to the wire going to the park lamp, and connect the brown adapter wire (cut from step 10) to the park wire coming from the vehicle harness.

13. On the passenger's side (Right Turn):
  - A. Locate the common wire to the right turn/park bulb on the vehicle harness. Using a Scotchlok™ connector with dielectric compound, splice black headlight adapter wire to the vehicle's common wire.
  - B. Locate the right turn signal wire on the vehicle harness. At a suitable distance away from the turn signal connector, cut this wire. Using butt connectors, connect the violet adapter wire to the wire going to the turn signal lamp, and connect the gray adapter wire to the wire coming from the vehicle harness.
  - C. Locate the right park wire on the vehicle harness. At a suitable distance away from the connector, cut this wire. Using butt connectors, connect the pink adapter wire to the wire going to the park lamp, and connect the brown adapter wire (cut from step 10) to the park wire coming from the vehicle harness.
14. Place the other end of the main harness on the outside of the grille.
15. Attach the main harness connectors to the right and left plow light headlamps. Turn on the vehicle lights and check operation. Check to make sure the vehicle headlights go out and plow headlights come on. Check park and turn signals.
16. If disassembled, reassemble vehicle components.
17. Secure the main harness to a safe location with electricians tape or plastic wire ties. Excess harness length should be neatly coiled and taped, or tied up out of the way.



## CAUTION

**Make sure that wire harness is routed away from all moving engine components.**

**Example; fan, belts etc.**

**DO NOT attach wire harness to hoses, radiator AC coils, exhaust manifolds, or control cables.**

# NOTES

# NOTES

---

**SNO-WAY® INTERNATIONAL, INC.**



Hartford, WI 53027 USA  
Website: [www.snoway.com](http://www.snoway.com)  
©2018 Sno-Way® International