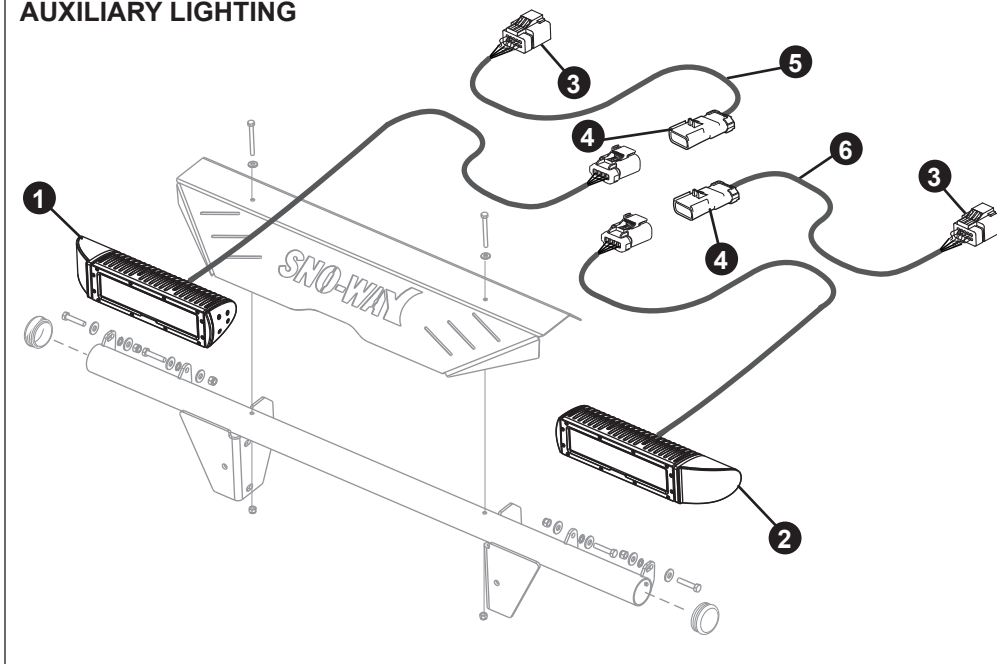


Please see our service manuals on the Sno-Way website for the latest information.

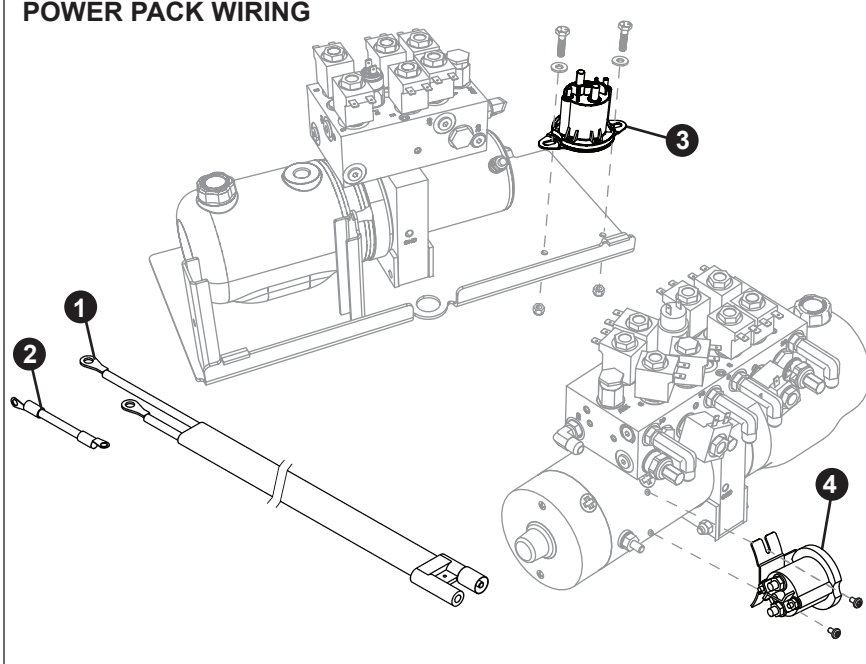
AUXILIARY LIGHTING

REF. NO.	DESCRIPTION	PART NO.
1	Plow Lamp, LED, PS	96117311
2	Plow Lamp, LED, DS	96117310
3	Connector, Female	96116157
4	Connector, Male	96116158
5	Harness, Extension, PS (22S2)	96117823
6	Harness, Extension, DS (22S2)	96117824

AUXILIARY LIGHTING



POWER PACK WIRING



POWER PACK WIRING

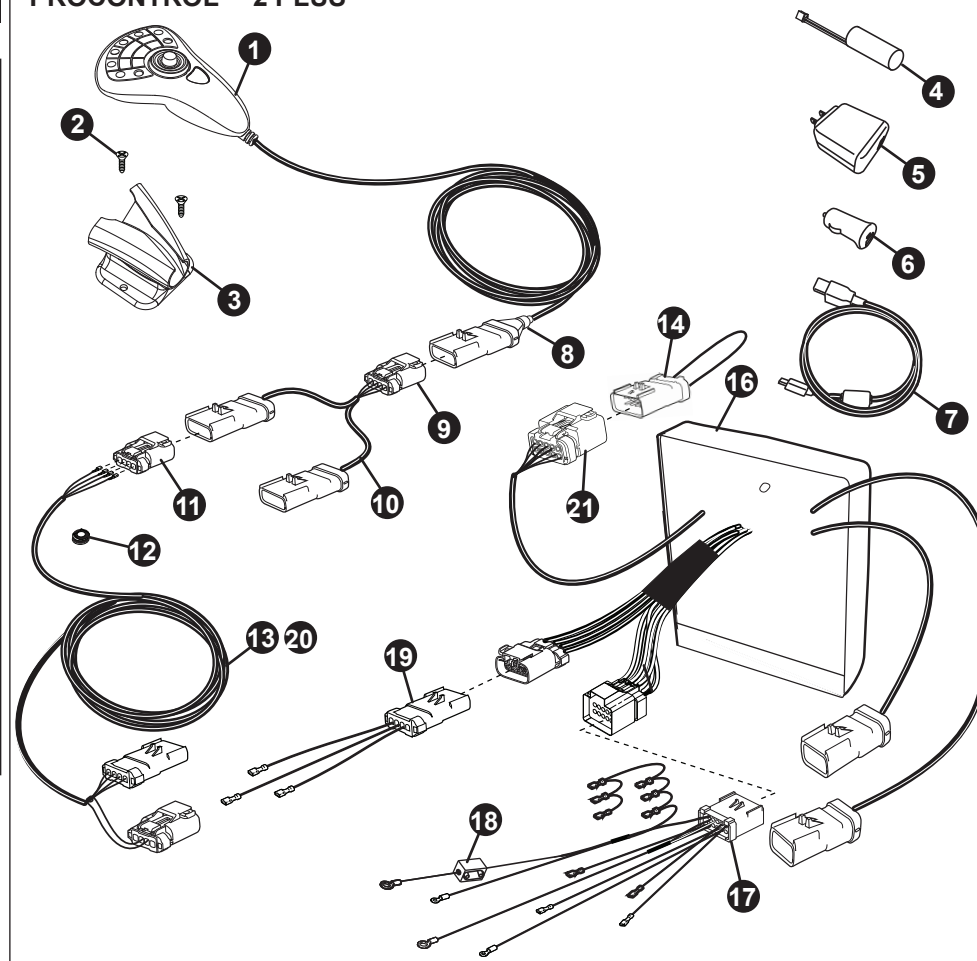
REF. NO.	DESCRIPTION	PART NO.
1	Harness, Plow Power (22 Series Only)	96104230
	Harness, Plow Power	96117420
2	Harness, Solenoid	96105273
3	Switch, Solenoid (22, 22V, 26, 26V, 26R, 29R, 29HD)	96115722
4	Switch, Solenoid (32C, RevHD, 29VHD, 29RVHD)	96115526



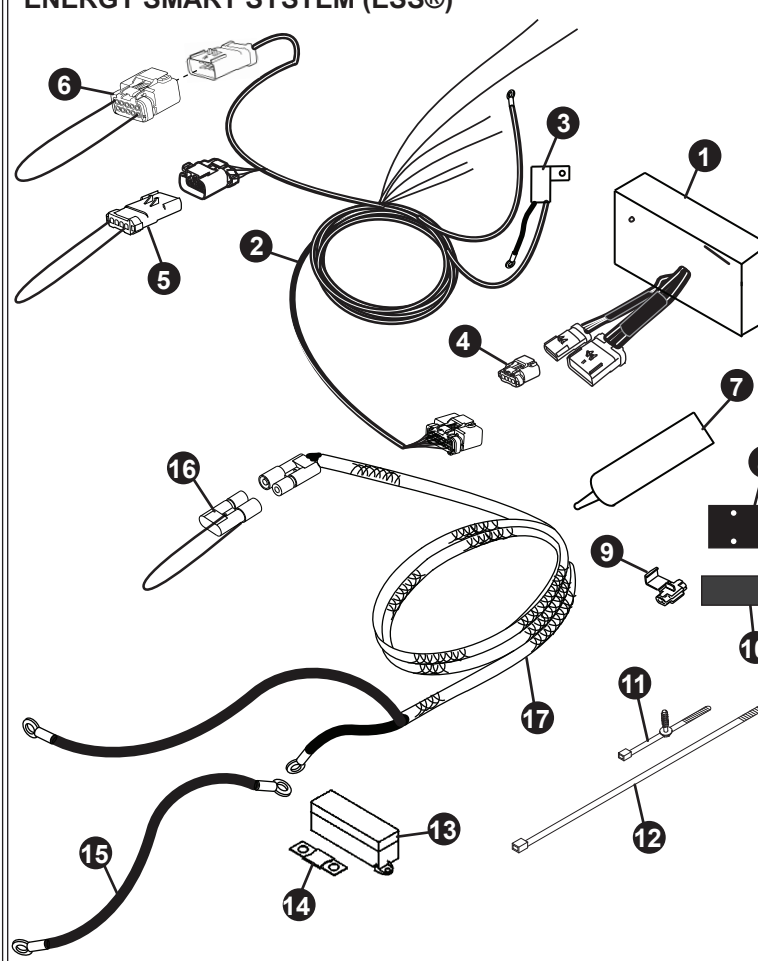
PROCONTROL™ 2 PLUS

REF. NO.	DESCRIPTION	PART NO.
1	Transmitter, Wired	96116877
	Transmitter, Wireless	96116878
	Transmitter, Wired, 29RVHD	96118306
2	Screw	98009172
3	Holder	96116052
4	Battery, Wireless	96115976
5	Charger, 120VAC	96115774
6	Charger, 12VDC	96115772
7	Cable, Charger	96115773
8	Strain Relief	96112840
9	Connector, Male, 4-Way APEX1	96112301
	Terminal, Male, 18/20 AWG (Not Shown)	96108661
10	Harness, Splitter (If Equipped with a Sno-Way Plow & Spreader)	96114863
11	Connector, Female, 4-Way APEX	96112300
	Terminal, Female, 18/20 AWG (Not Shown)	96108662
12	Grommet, Rubber	96112419
13	Harness, Vehicle	96112913
14	Cap, Storage, 10 Pin Male	96117602
15	Kit, Module Harness Repair, ProControl Wired (Not Shown)	96112931
16	Module, Receiver, Wired	96116875
	Module, Receiver, Wireless	96116876
	Module, Receiver, Wired, 29RVHD	96118237
17	Harness, Control, Solenoid, Down Pressure® (Straight Blades)	96117561
	Harness, Control, Solenoid, Down Pressure® (26R, 29R, RevHD)	96117562
	Harness, Control, Solenoid (26V)	96117566
	Harness, Control, Solenoid (29VHD)	96117564
18	Fuse, 50 Amp Circuit Breaker	96117800
19	Harness, Control, Solenoid, 4-Way (26R, 29R, RevHD, 29VHD)	96117565
	Harness, Control, Solenoid, 4-Way (26V)	96117567
20	Kit, Vehicle Harness (Includes 11-13)	96116601
21	Kit, Connector Replacement, 10 pin	96109135

PROCONTROL™ 2 PLUS



ENERGY SMART SYSTEM (ESS®)



ENERGY SMART SYSTEM (ESS®)

REF. NO.	DESCRIPTION	PART NO.
1	ESS Vehicle Receiver	96116874
2	ESS Vehicle Wiring Harness	96116864
3	Fuse, 10 amp (Not Shown - In holder)	96112496
4	Connector, Female, 4-Way APEX	96112300
5	Cap, Storage, Male	96112872
6	Cap, Storage, Female	96117601
7	Tube, Anti-Corrosion Compound	96108998
8	Base, Cable-Tie Mount, Adhesive	96117794
9	Connector, Splice Tap	96115420
10	Hook and Loop Fastener	96105945
11	Cable-Tie, Fir Tree Mount	96117774
12	Cable-Tie	96001227
13	Fuse Holder	96109143
14	Fuse, 250 amp	96109142
15	Cable, Positive (Red)	96102891
16	Cap, Storage, 2 Pin	96105082
17	Harness, Battery Power	96104221
18	Kit, Install, ESS (Not Shown) (Incl. #4-16)	96117793
19	Kit, Power Harness (Not Shown) (Incl. #12-17)	96105167

ProControl™ 2 Plus Upgrade Package Contents

For Use with Halogen Lamps:	For Use with LED Lamps:
- 99101431 (Straight Plows)	- 96117833 (Straight Plows)
- 99101432 (26R, 29R, RevHD)	- 96117834 (26R, 29R, RevHD)
- 99101433 (29VHD)	- 96117835 (29VHD)
- 99101434 (26V)	- 96117836 (26V)
• ESS Vehicle Receiver	• ESS Vehicle Receiver
• ESS Vehicle Harness	• ESS Vehicle Harness
• Pump Harnesses	• Pump Harnesses
• Wiring Schematic Decal	• Wiring Schematic Decal
• Installation Hardware & Connector Kit	• Installation Hardware & Connector Kit
• Lamp Adapter Harnesses	• Lamp Extension Harnesses
	• LED Lamps
	• Upper Light Bar Weldment (LED Only)